

[54] DISPENSER OR SIMILAR ARTICLE

[75] Inventor: Lars Lander, Zug, Switzerland

[73] Assignee: Lander Marketing Management AG, Cham, Switzerland

[**] Term: 14 Years

[21] Appl. No.: 554,222

[22] Filed: Nov. 21, 1983

[30] Foreign Application Priority Data

Jun. 22, 1983 [CH] Switzerland 113124
 [52] U.S. Cl. D9/420; D19/69
 [58] Field of Search D9/420, 414; D19/67,
 D19/69; 206/389, 398, 402, 404, 408; 229/2.5
 R, 1.5 R

[56] References Cited

U.S. PATENT DOCUMENTS

- D. 218,861 9/1970 Castelli et al. D19/69
- D. 228,412 9/1973 Macowski D19/69
- D. 249,471 9/1978 Stern D9/423
- 3,016,174 1/1962 Perkins D19/69

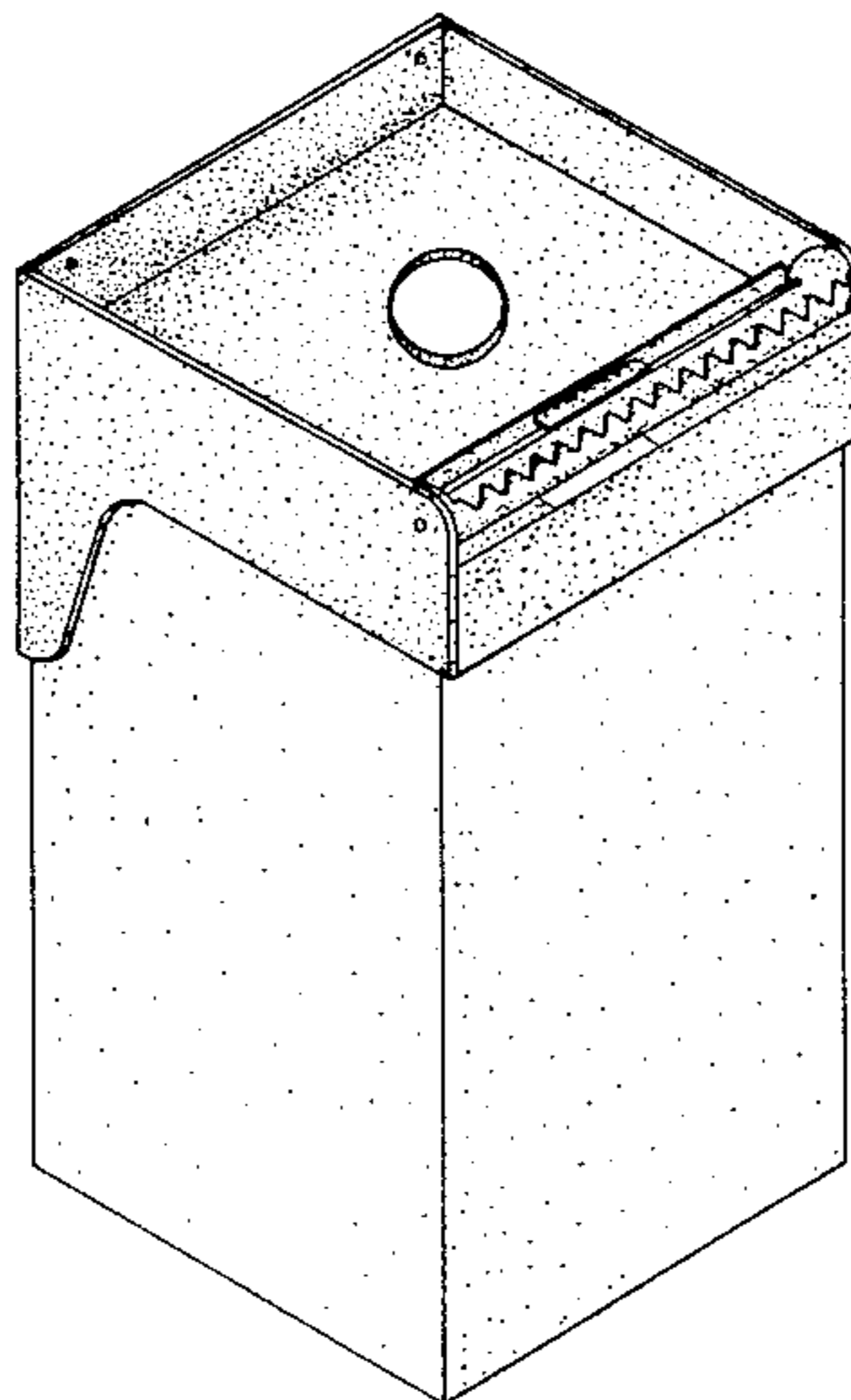
Primary Examiner—Charles A. Rademaker
Attorney, Agent, or Firm—Werner W. Kleeman

[57] CLAIM

The ornamental design for a dispenser or similar article, as shown and described.

DESCRIPTION

FIG. 1 is a perspective view of a dispenser or similar article showing my new design;
 FIG. 2 is a front elevational view thereof;
 FIG. 3 is a rear elevational view thereof;
 FIG. 4 is a side elevational view thereof, the side opposite being a mirror image;
 FIG. 5 is a top plan view thereof; and,
 FIG. 6 is a bottom plan view thereof.



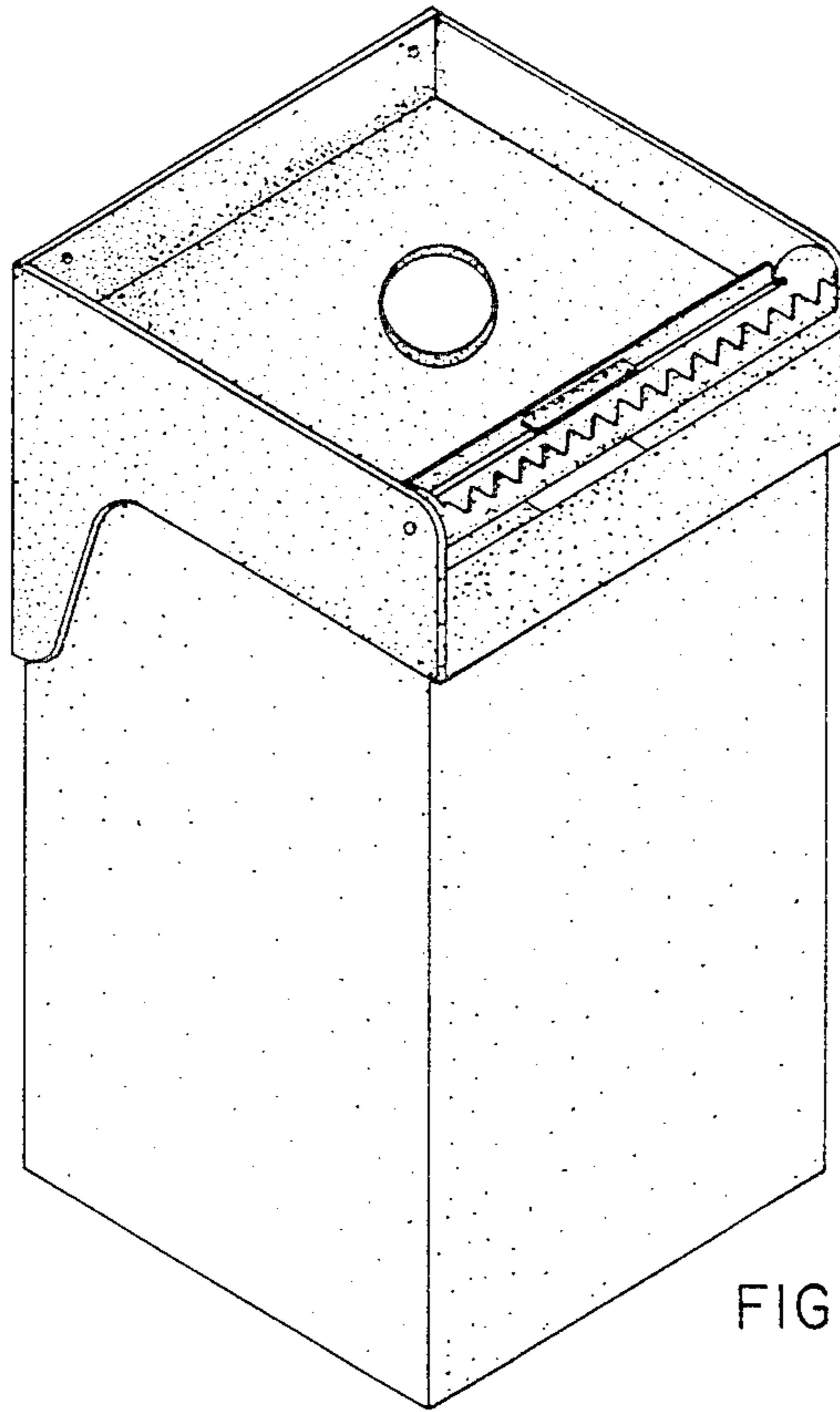


FIG. 1

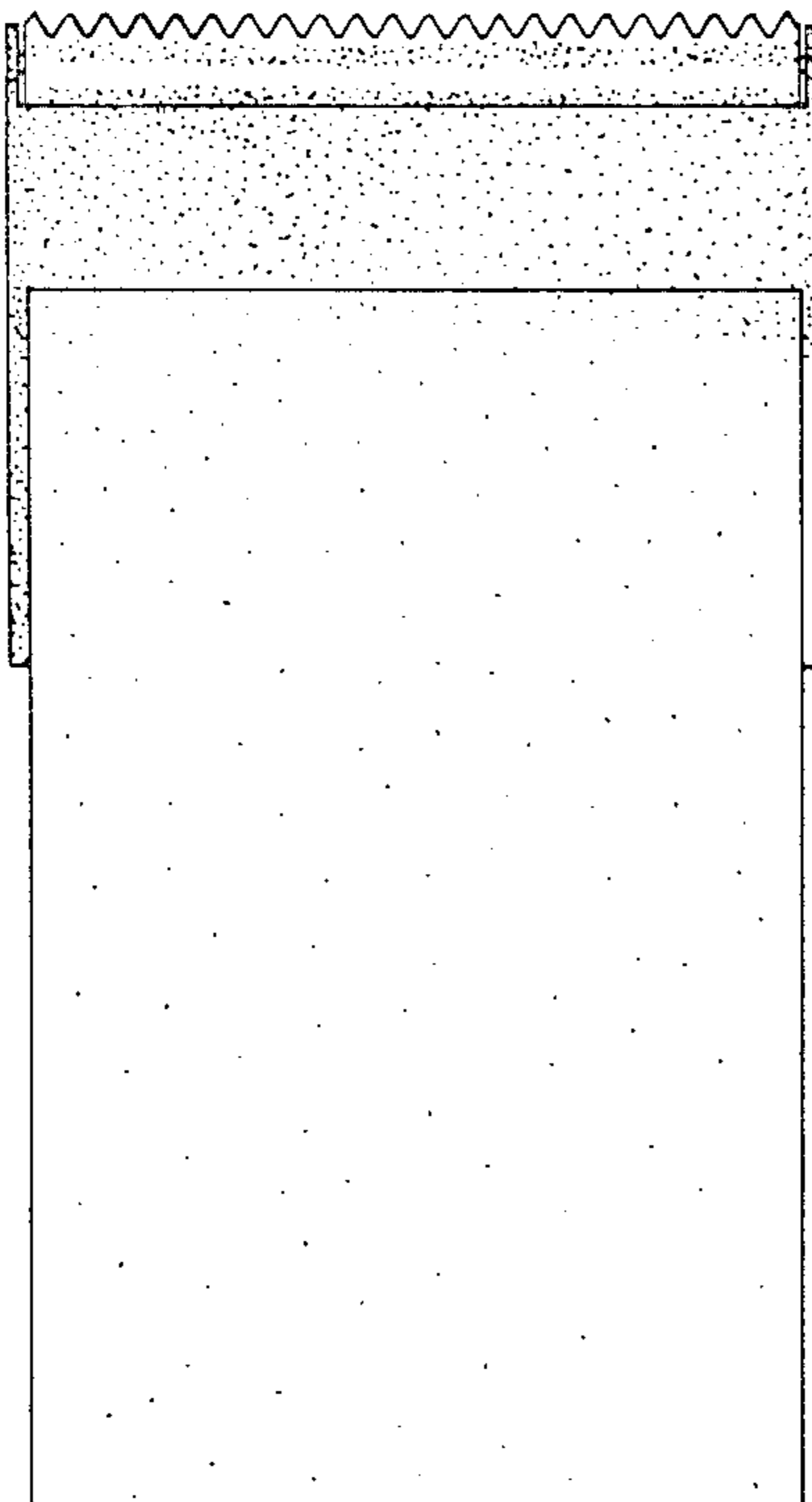


FIG. 2

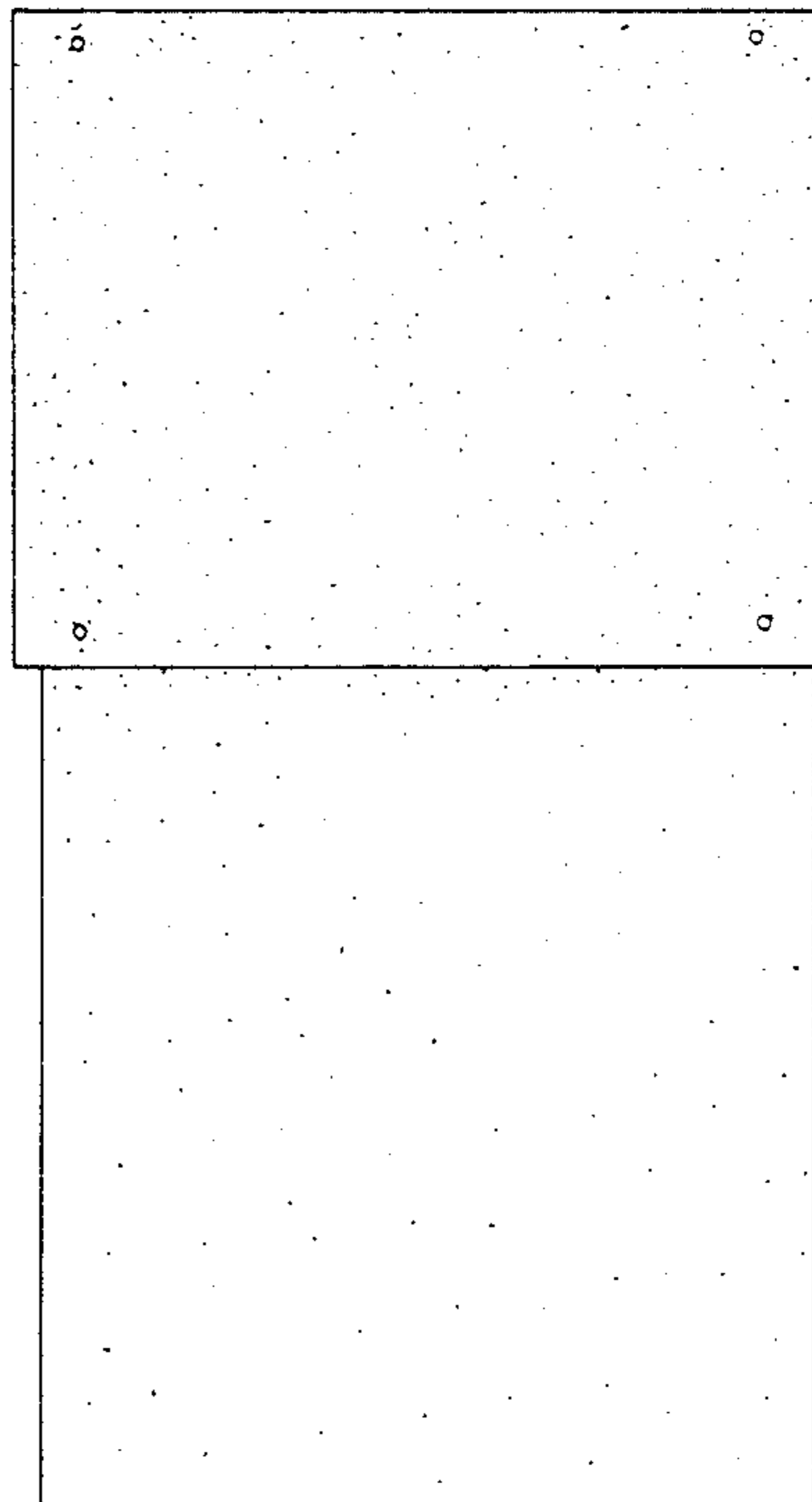


FIG. 3

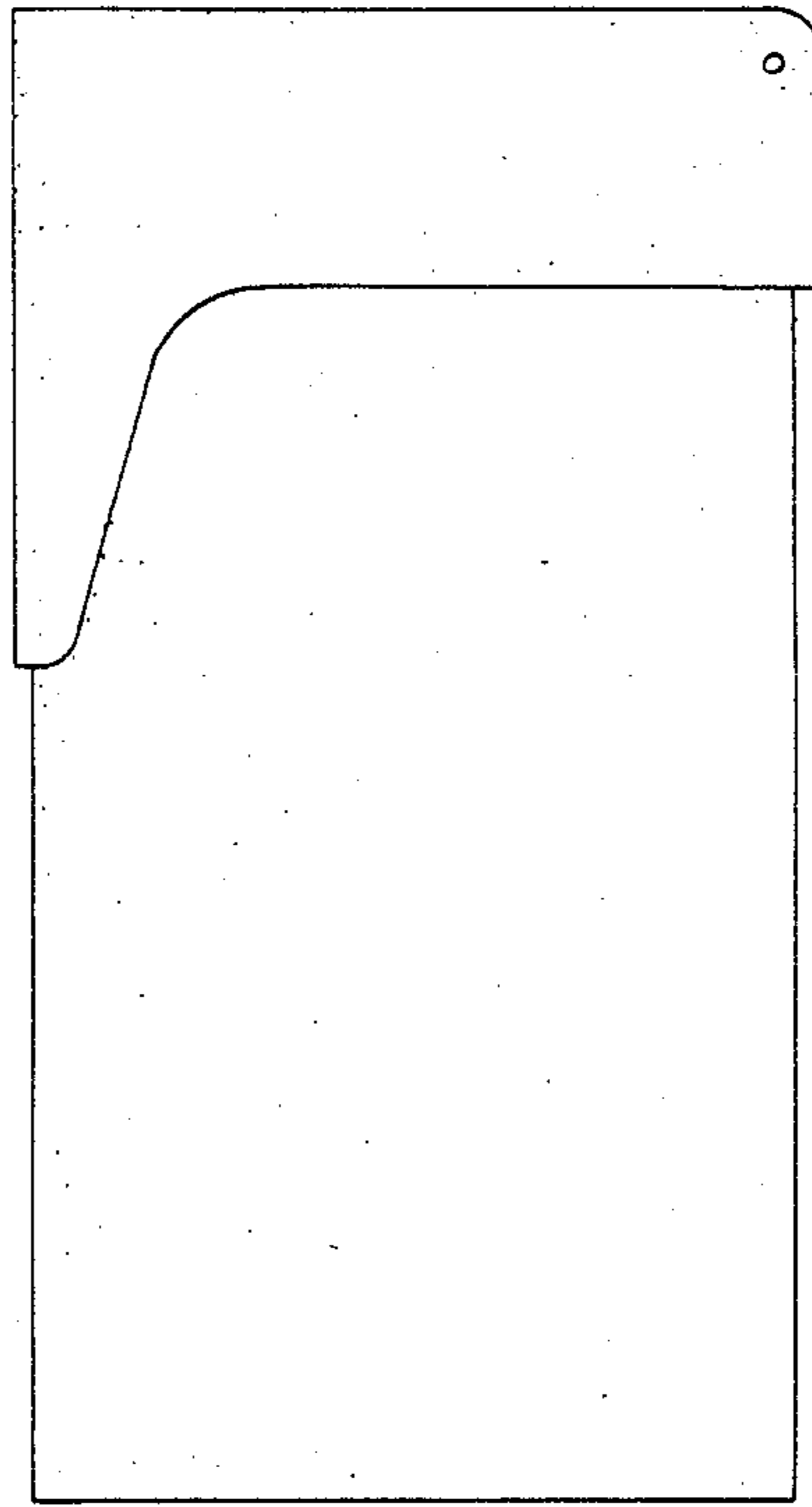


FIG. 4

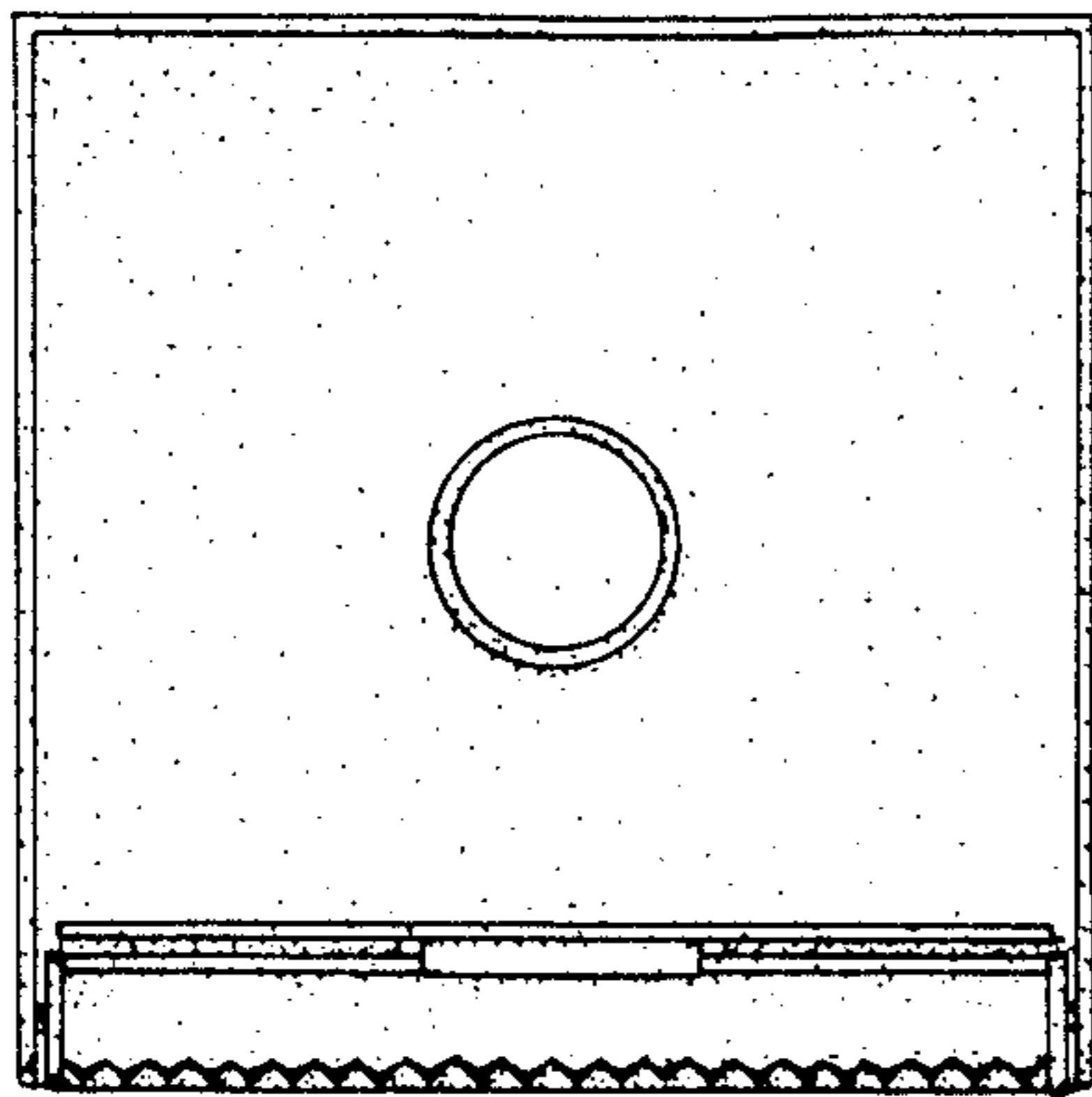


FIG. 5

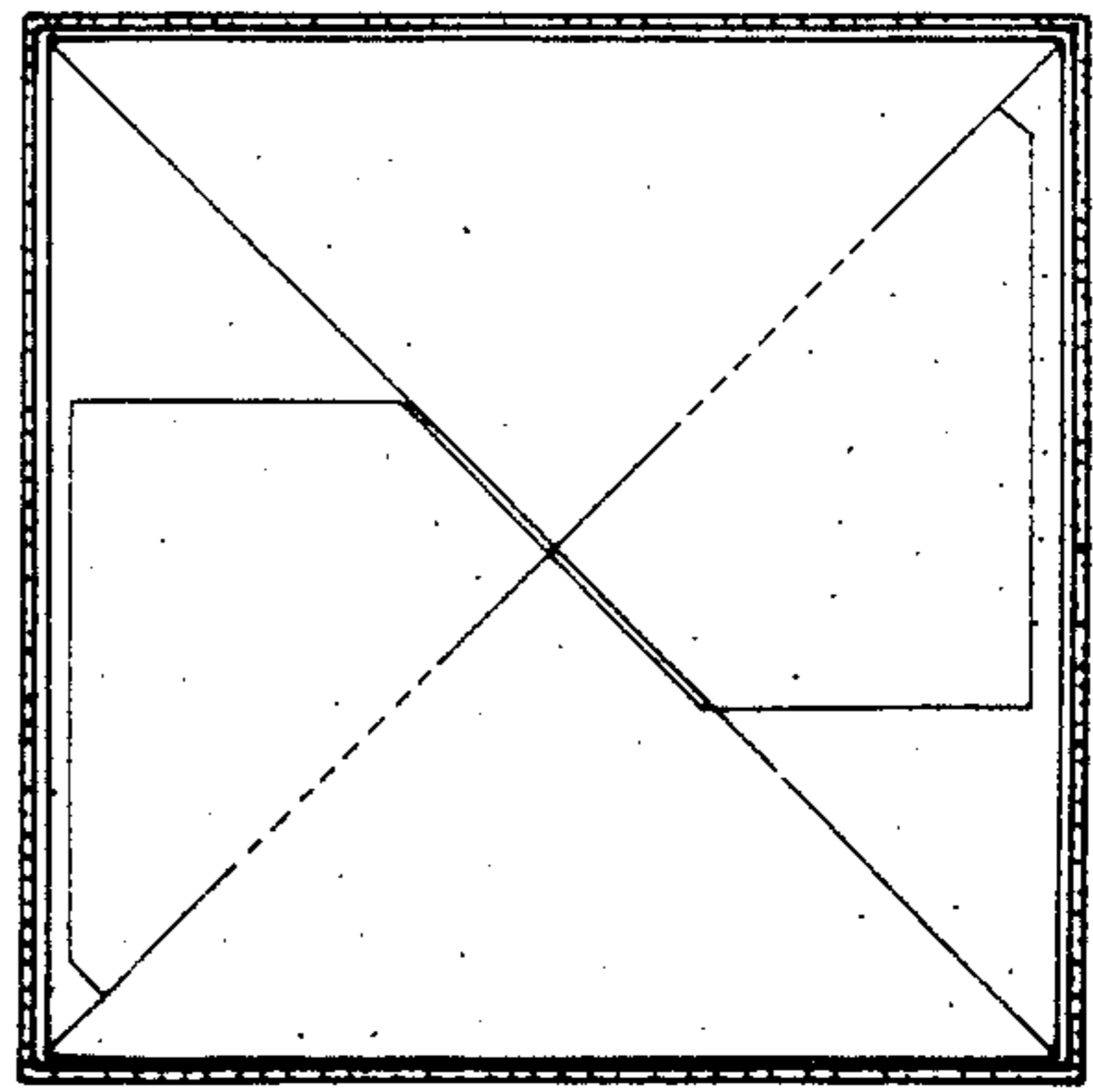


FIG. 6