

[54] SWAB BOX

[76] Inventor: Howard Sussman, 3101 NW. 25th St., Pompano Beach, Fla. 33060

[**] Term: 14 Years

[21] Appl. No.: 535,681

[22] Filed: Sep. 26, 1983

[52] U.S. Cl. D9/420; D9/423; D9/424; D9/431; D9/432

[58] Field of Search D28/73; D9/418, 414, D9/420, 423, 424, 431, 432; 220/82 R, 1 R, 1 S, 334; 206/45.31; D34/8

[56] References Cited

U.S. PATENT DOCUMENTS

D. 199,206	9/1964	Rose	D9/418
D. 203,137	12/1965	Braun	D9/420
D. 219,957	2/1971	Spahr	D9/414
D. 240,204	6/1976	Ferguson	D9/422
D. 240,600	7/1976	Takacs	D9/420

D. 258,341	2/1981	Johnson	D34/8
D. 269,856	7/1983	Kuta	D9/418
D. 278,125	3/1985	Benham	D9/418
2,885,135	5/1959	Friday	D9/423 X

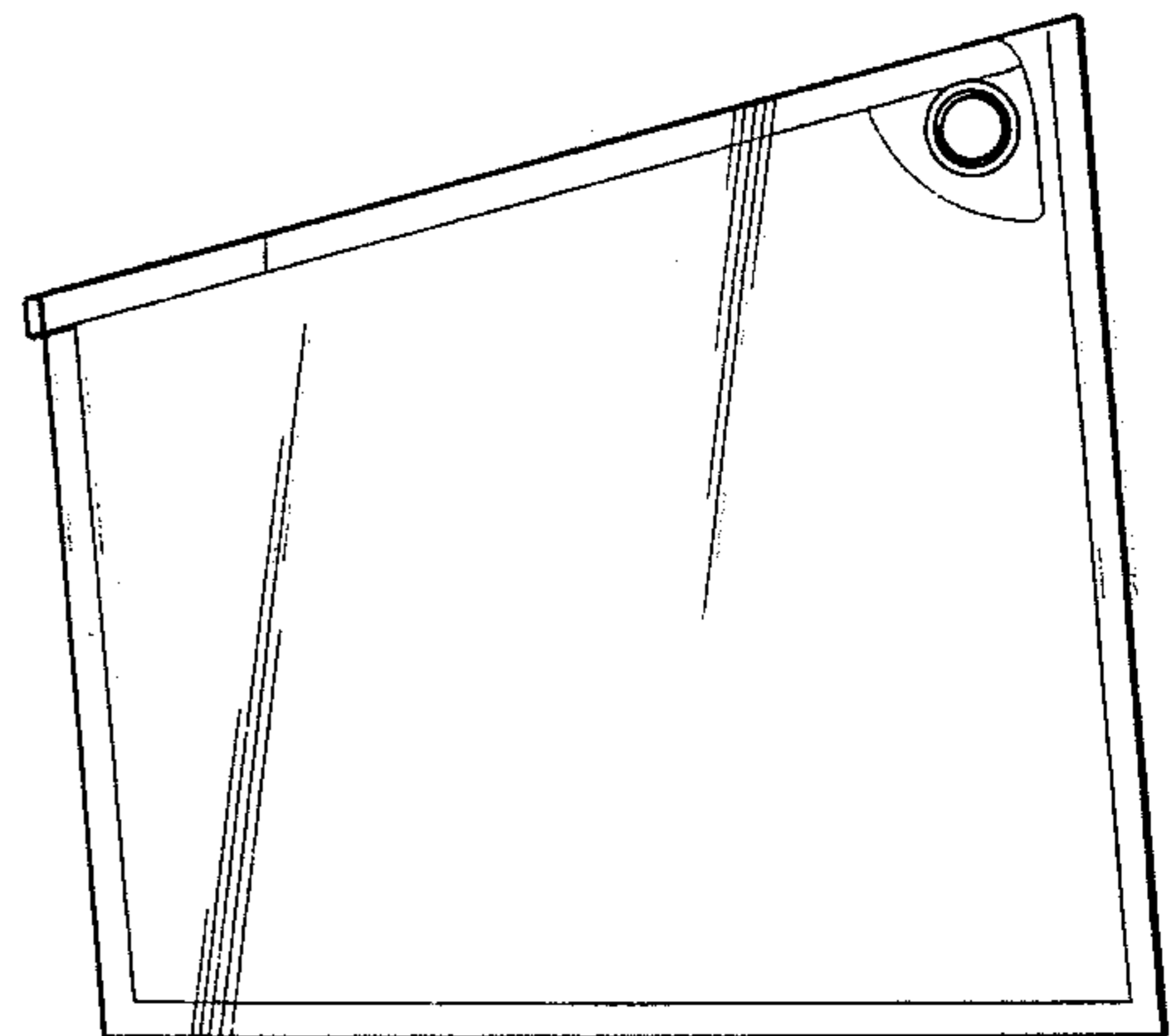
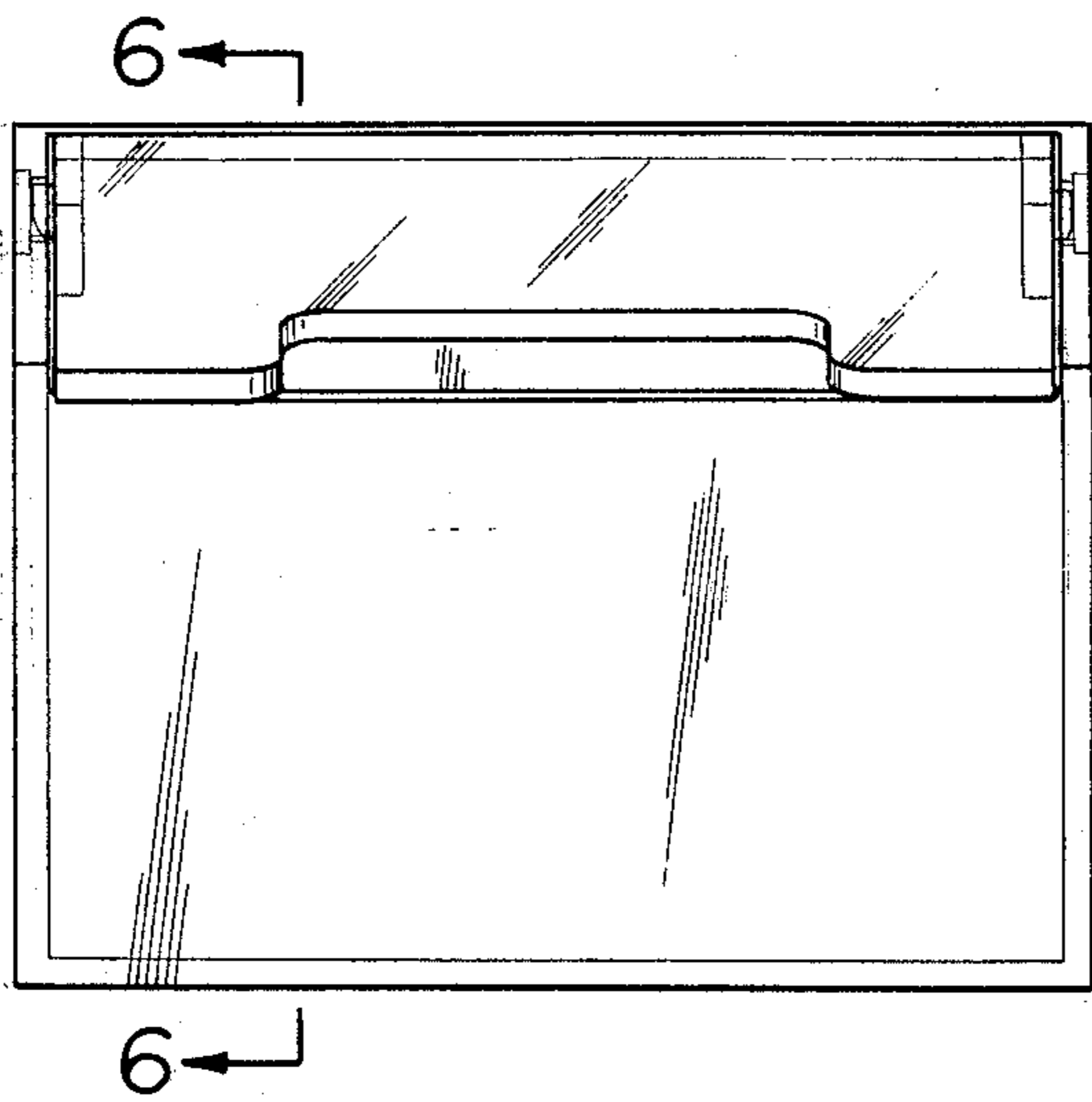
Primary Examiner—Robert C. Spangler
Attorney, Agent, or Firm—Bauer & Amer

[57] CLAIM

The ornamental design for a swab box, as shown and described.

DESCRIPTION

FIG. 1 is a plan view of a swab box showing my new design;
FIG. 2 is a front elevational view thereof;
FIG. 3 is a right-side elevational view thereof, the left-side elevational view being a mirror image;
FIG. 4 is a bottom view thereof;
FIG. 5 is a rear elevational view; and
FIG. 6 is a section along line 6—6 of FIG. 2, the section in the opposite direction being a mirror image.



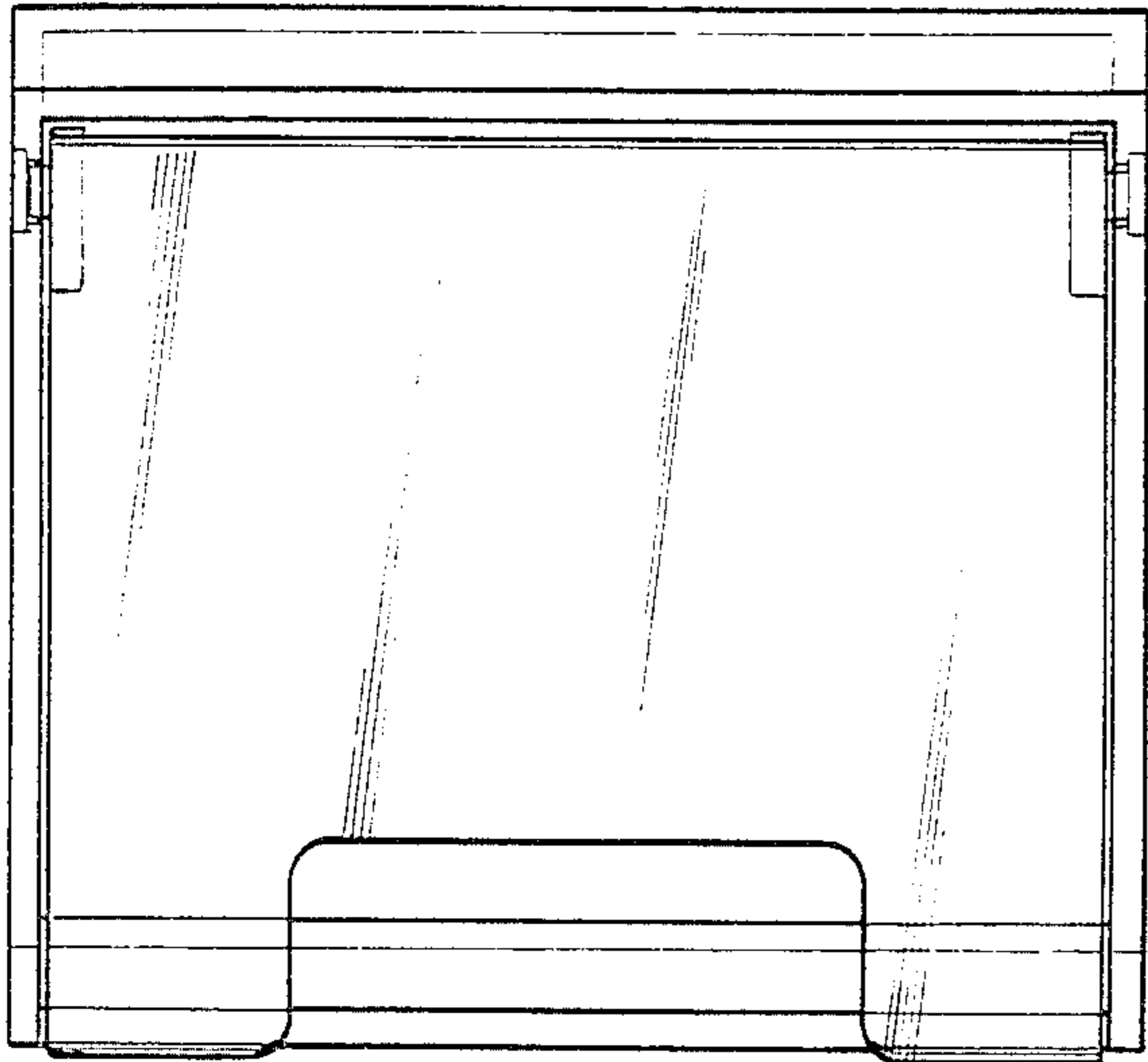


FIG. 1

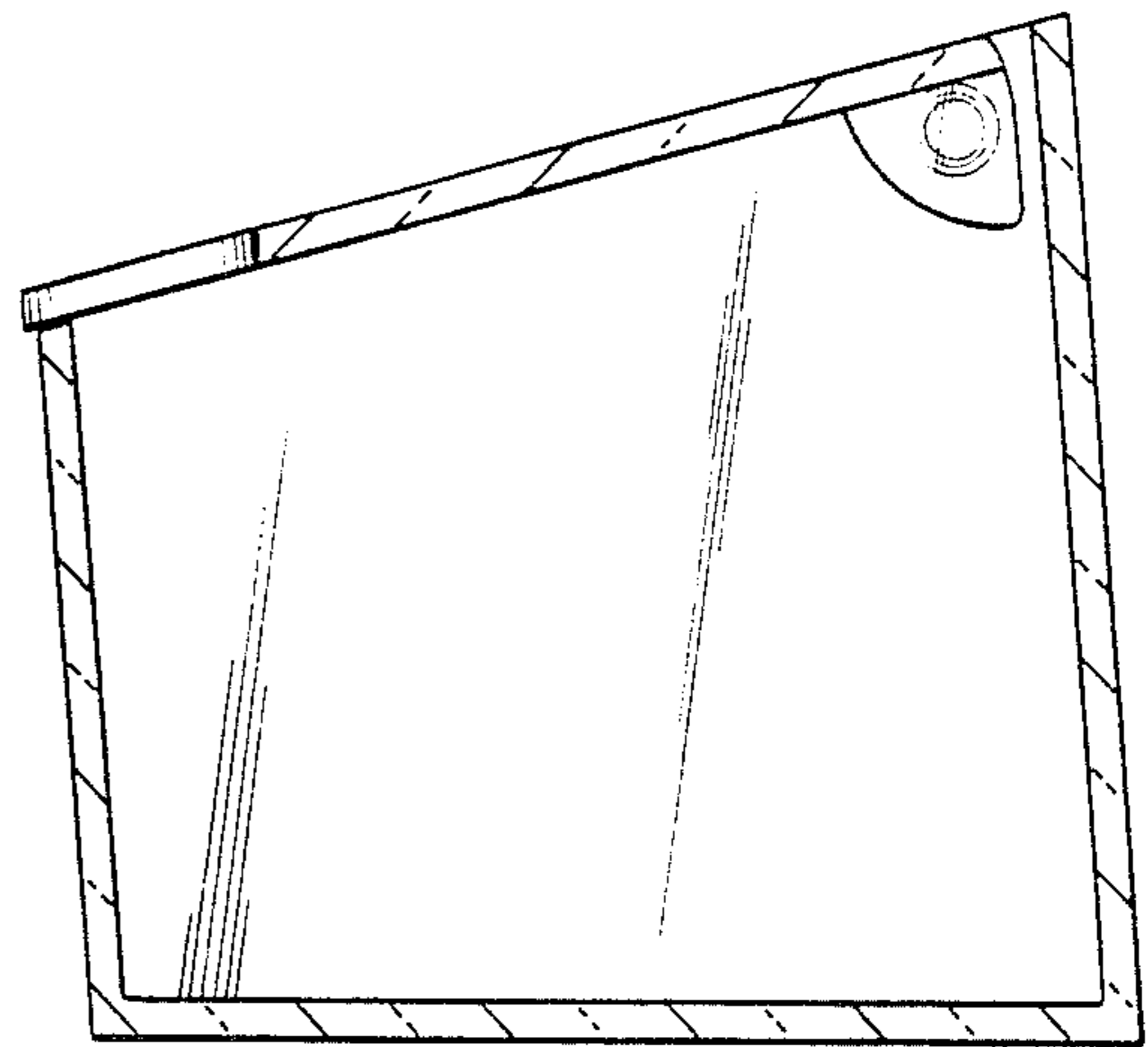


FIG. 6

6 ←

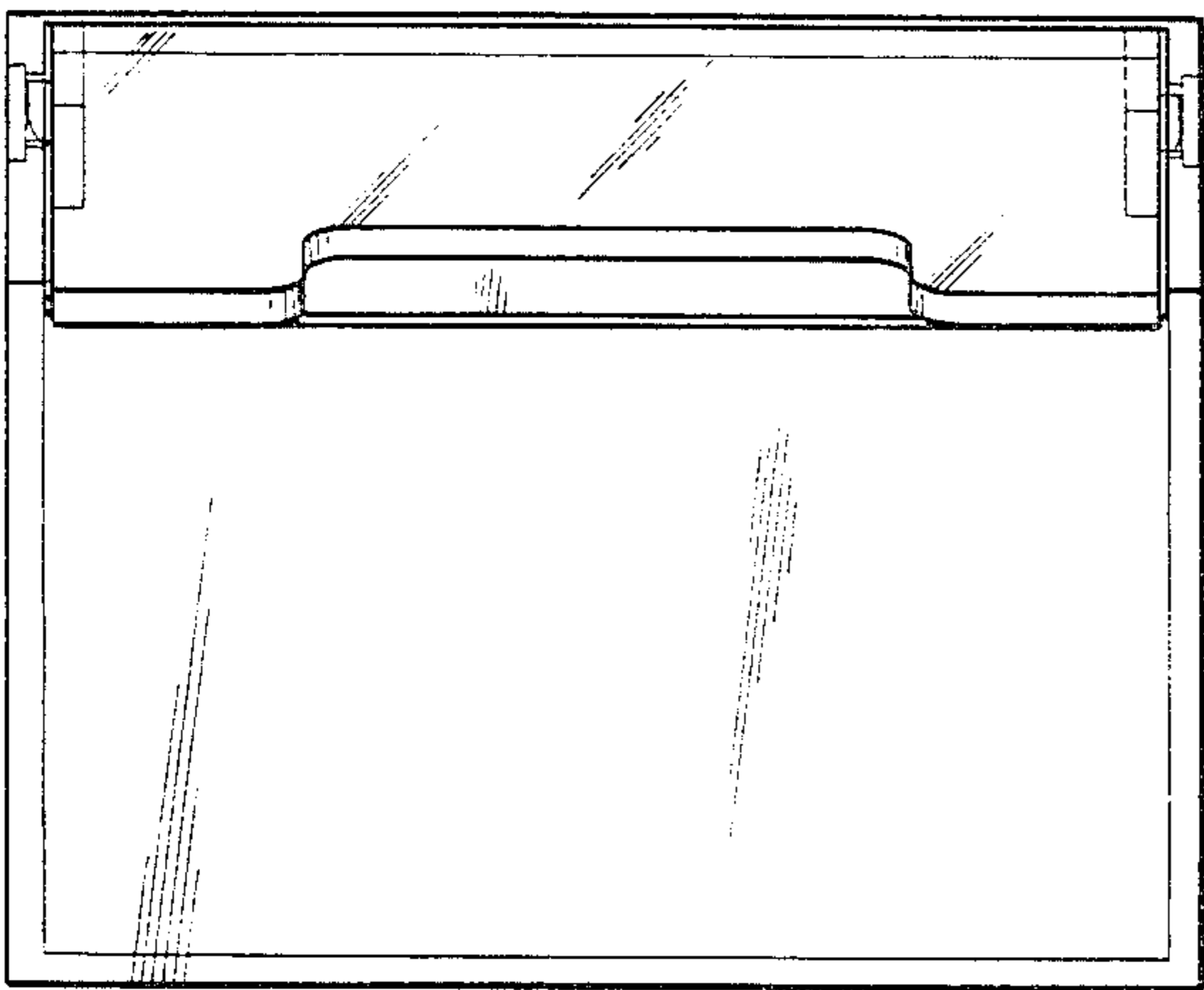


FIG. 2

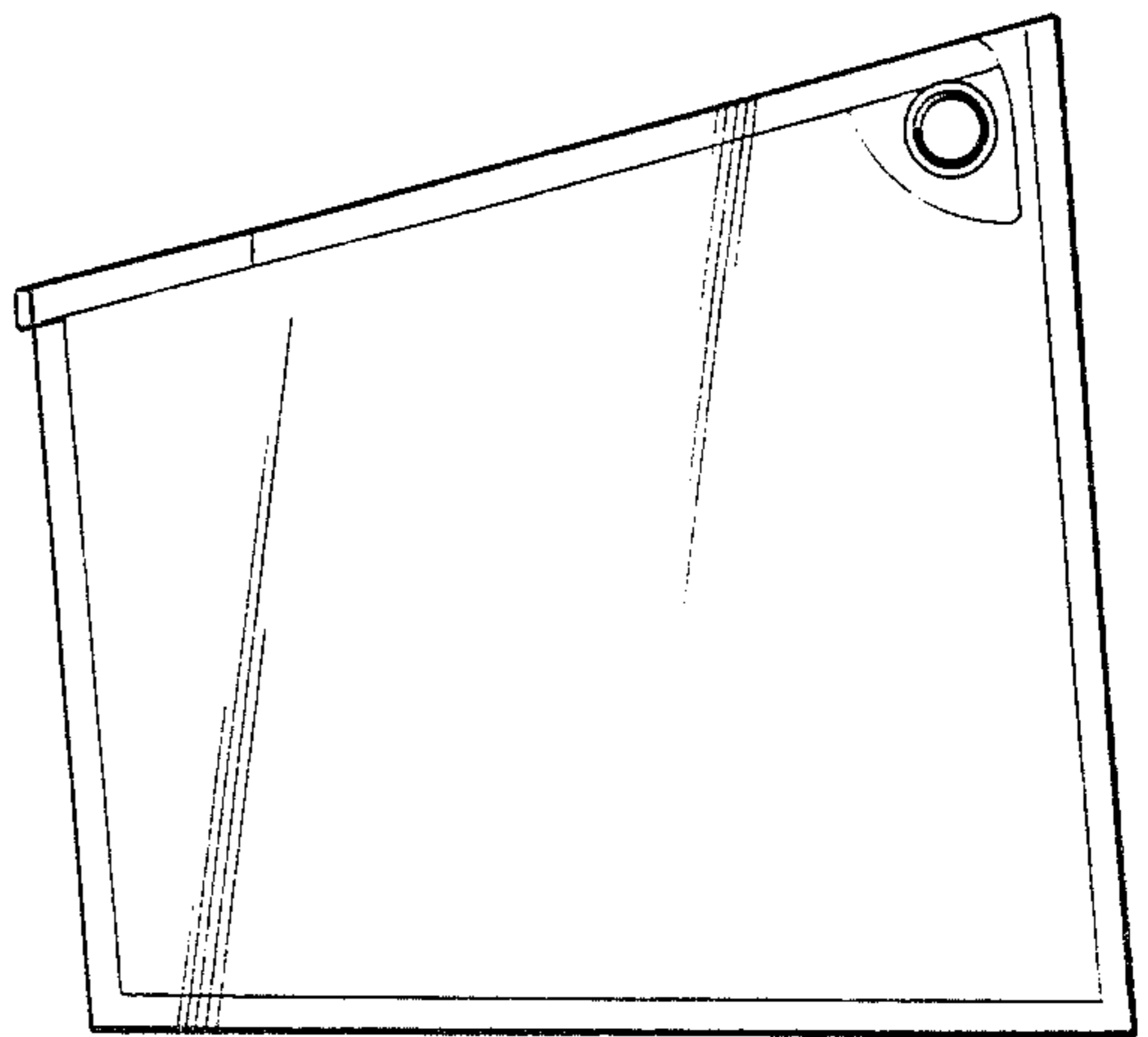


FIG. 3

6 ←

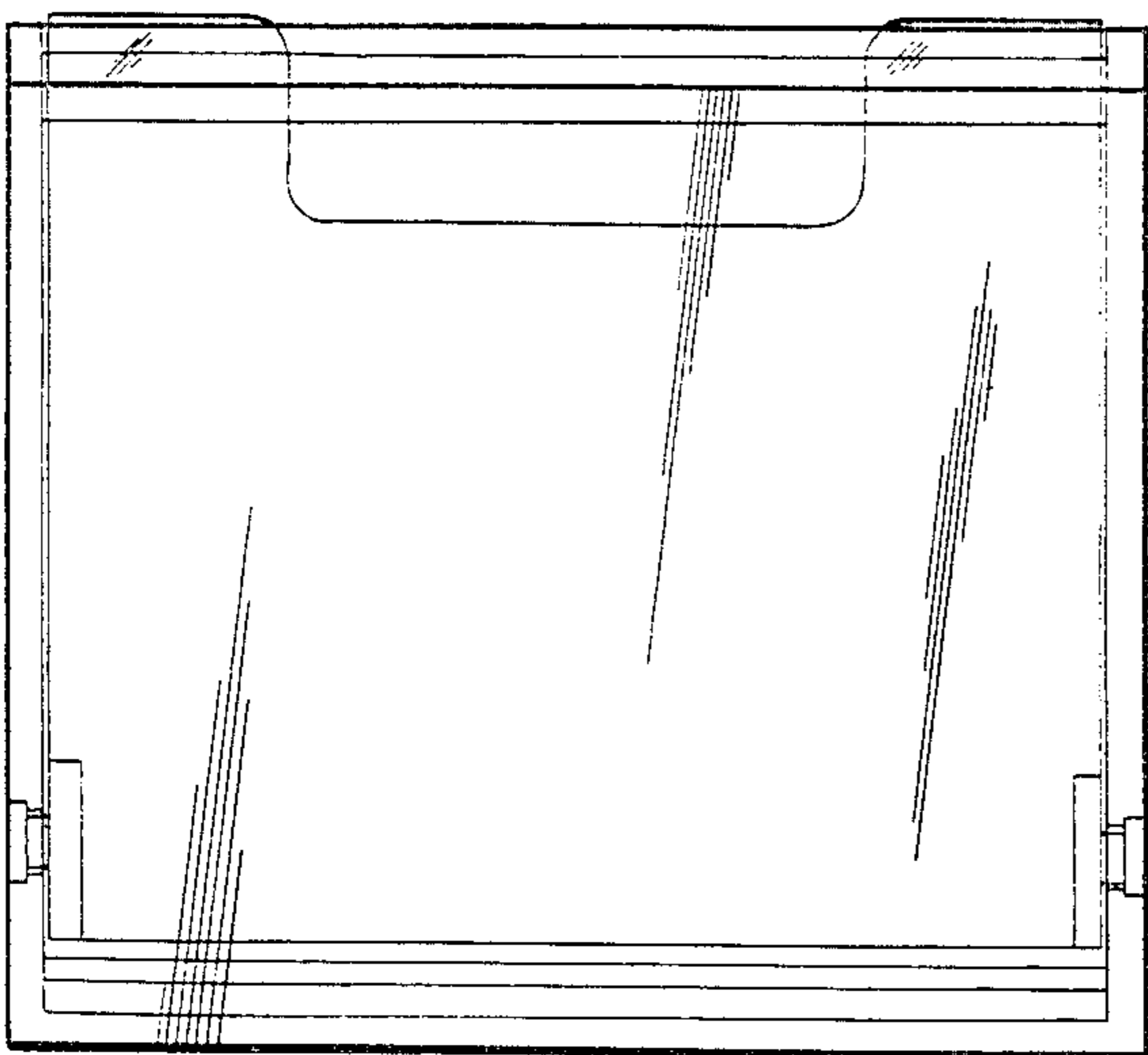


FIG. 4

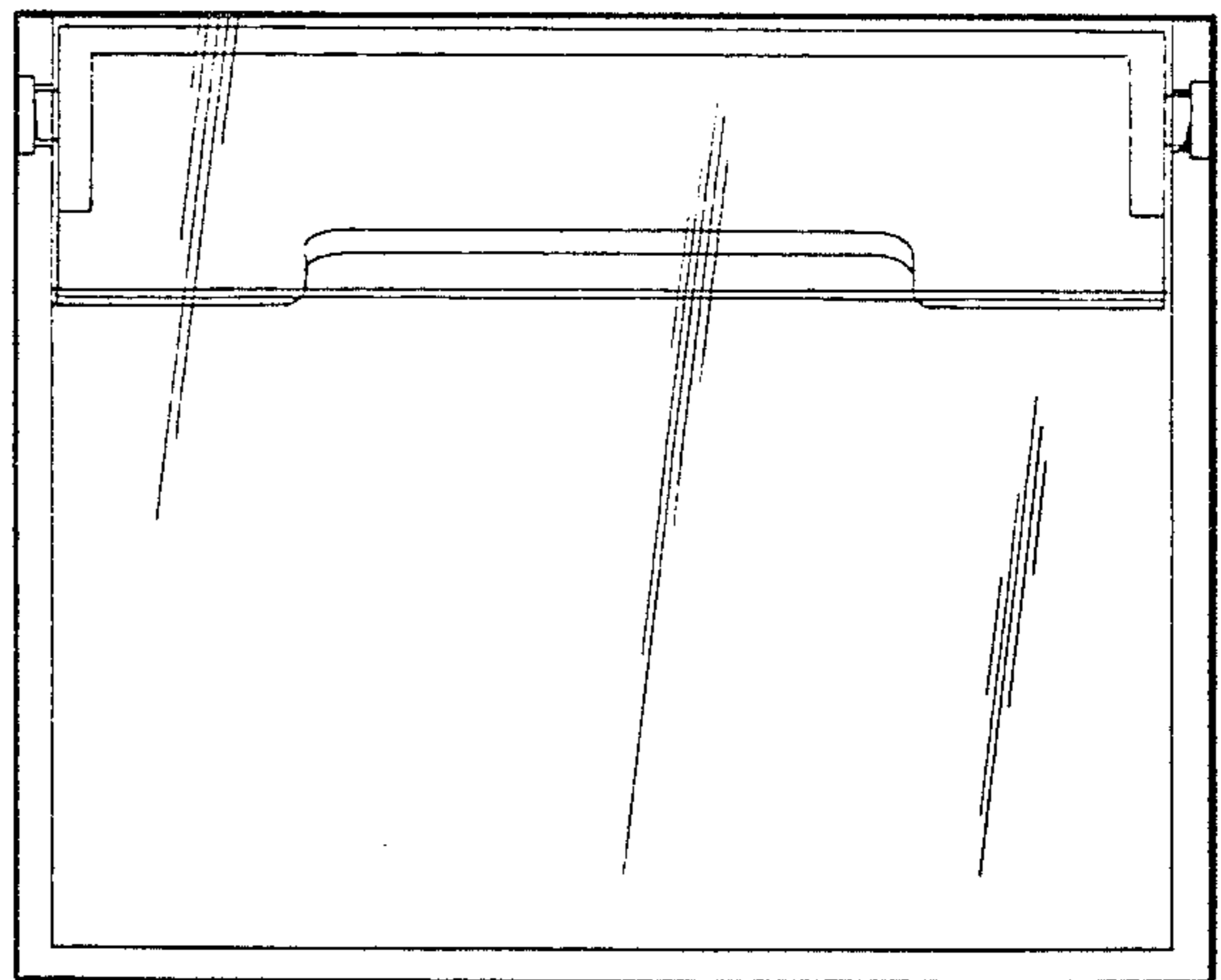


FIG. 5