

[54] **JUG**

[75] **Inventor: David N. Thompson, North Shields, England**

[73] **Assignee: Manor Vinegar Brewery Co. Ltd., West Midlands, England**

[\*\*] **Term: 14 Years**

[21] **Appl. No.: 528,639**

[22] **Filed: Sep. 1, 1983**

[30] **Foreign Application Priority Data**

Mar. 31, 1983 [GB] United Kingdom ..... 1012284

[52] **U.S. Cl. .... D9/383; D9/385; D9/439**

[58] **Field of Search ..... D9/383, 375, 384, 385, D9/439; 215/1 R, 1 C**

[56] **References Cited**

**U.S. PATENT DOCUMENTS**

- D. 211,001 5/1968 Northgrave ..... D9/383
- D. 221,834 9/1971 Schwartz ..... D9/378 X
- D. 250,878 1/1979 McGowen ..... D9/383 X

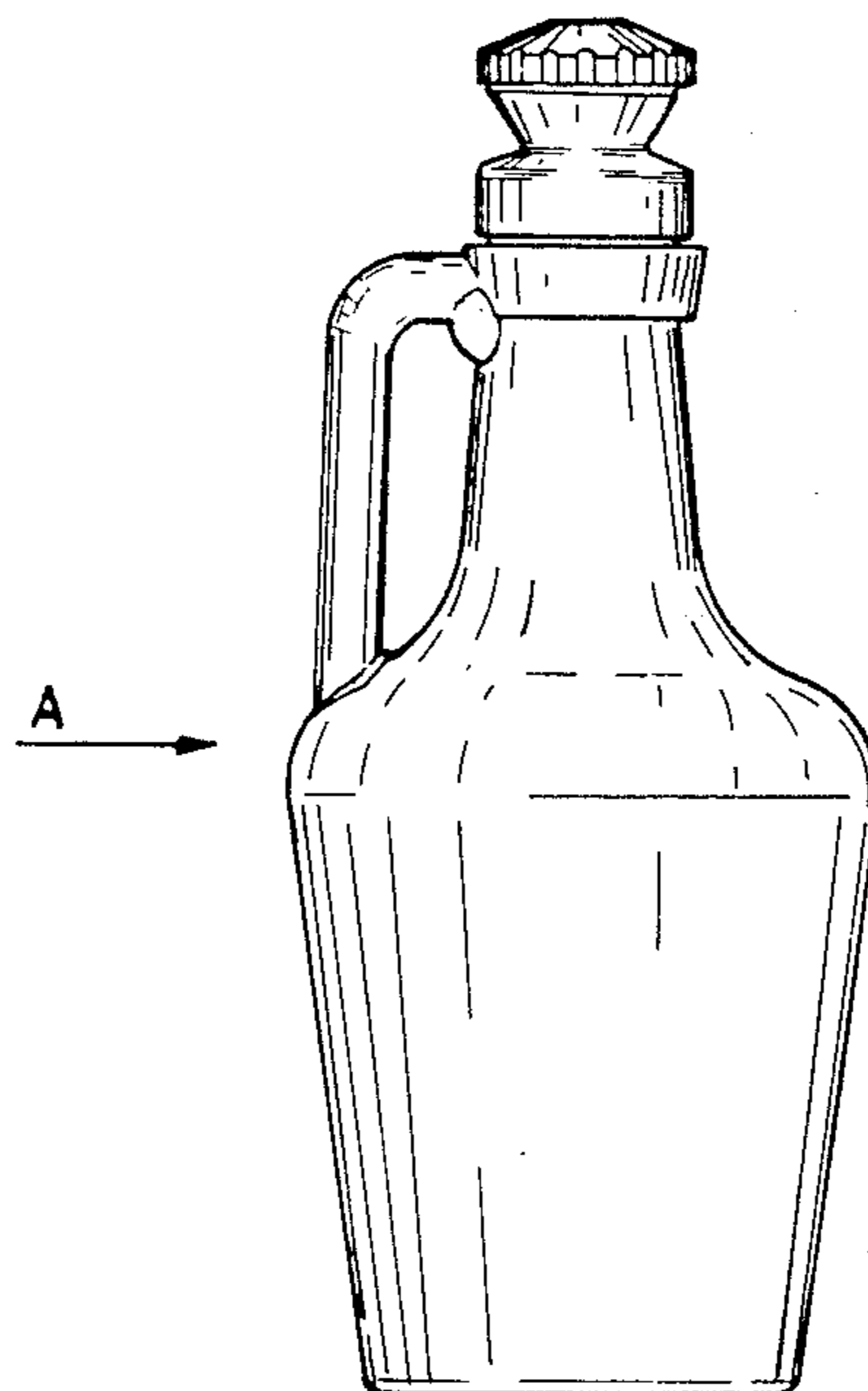
*Primary Examiner*—Robert C. Spangler

[57] **CLAIM**

The ornamental design for a jug, as shown.

**DESCRIPTION**

FIG. 1 is a top plan view of a jug showing my new design;  
FIG. 2 is a bottom plan view thereof;  
FIG. 3 is a view of one side thereof;  
FIG. 4 is a view in the direction of the arrow A shown in FIG. 3, with part of the jug shown in an alternative position,  
FIG. 5 is a fragmentary sectional view on the line 5—5 of FIG. 4;  
FIG. 6 is a sectional view on the line 6—6 of FIG. 5.



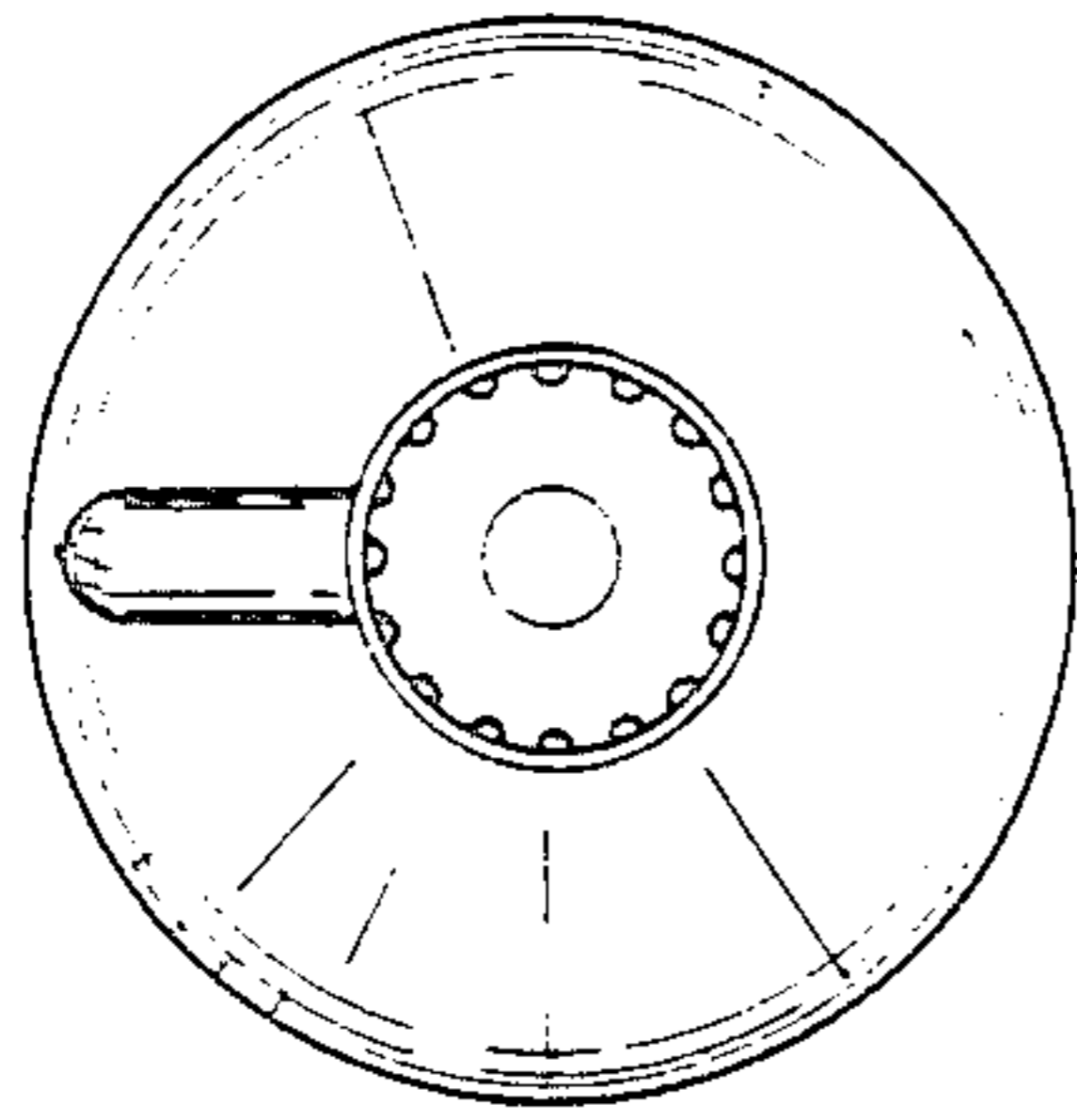


Fig. 1.

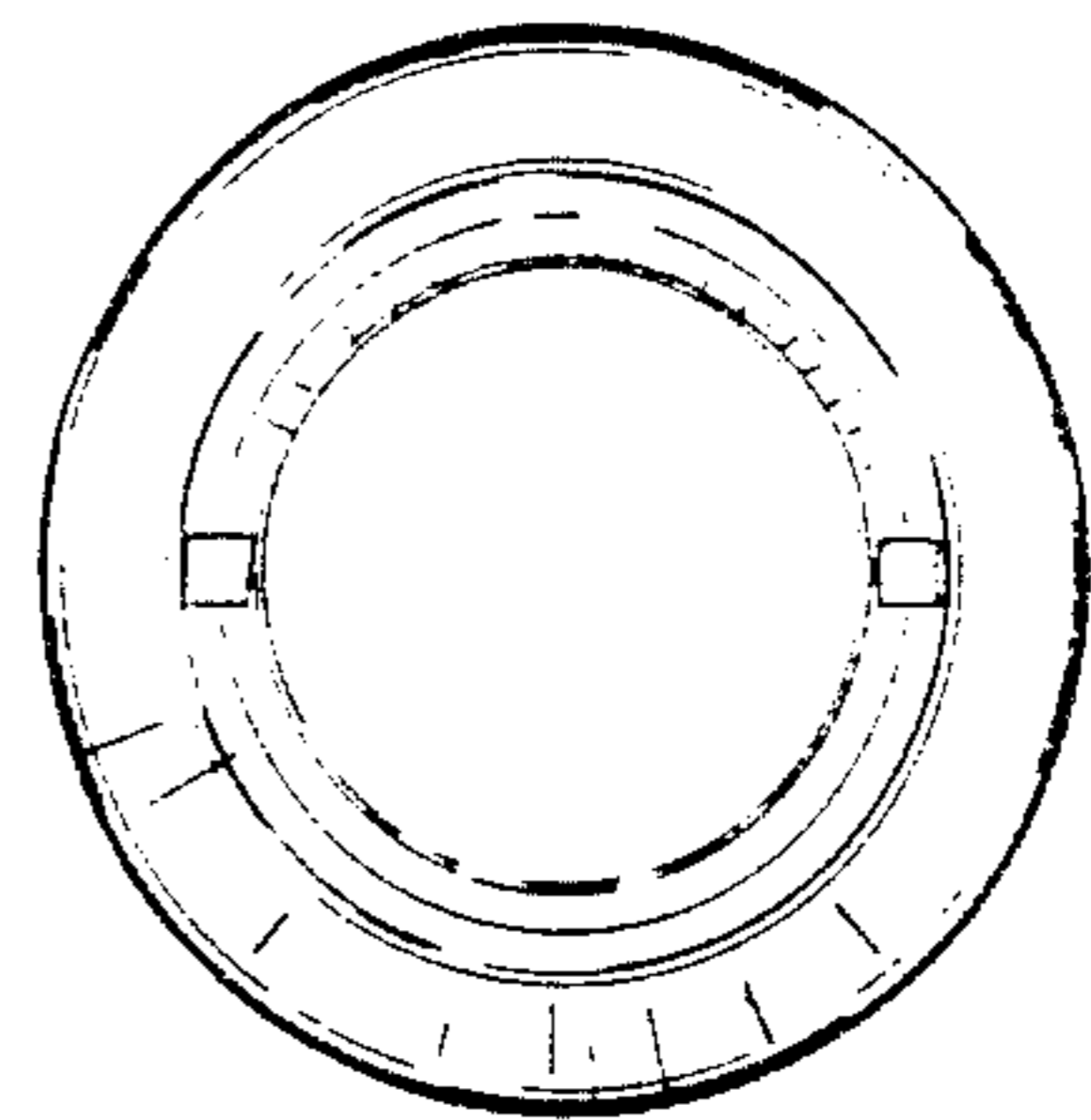


Fig. 2.

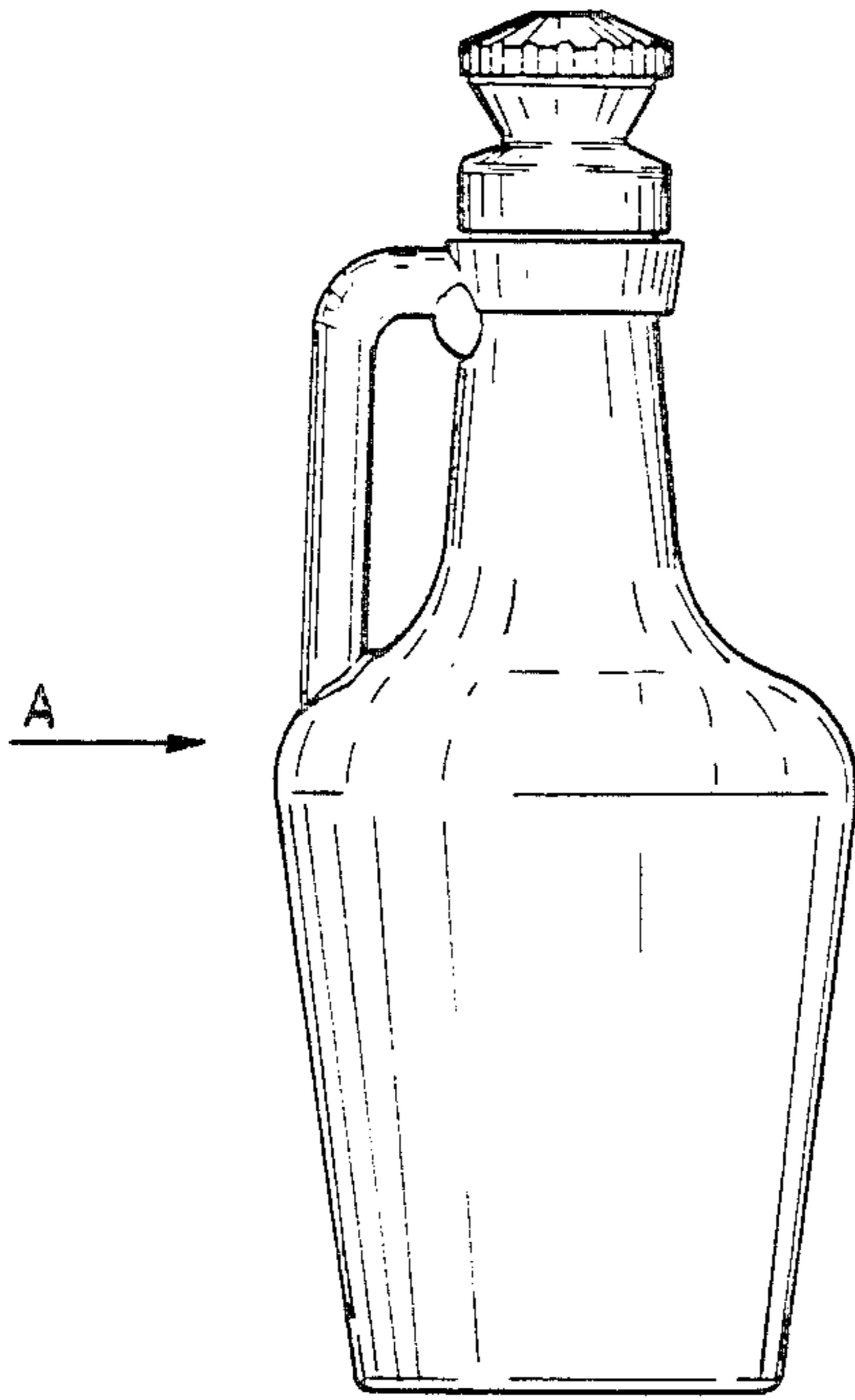


Fig. 3.

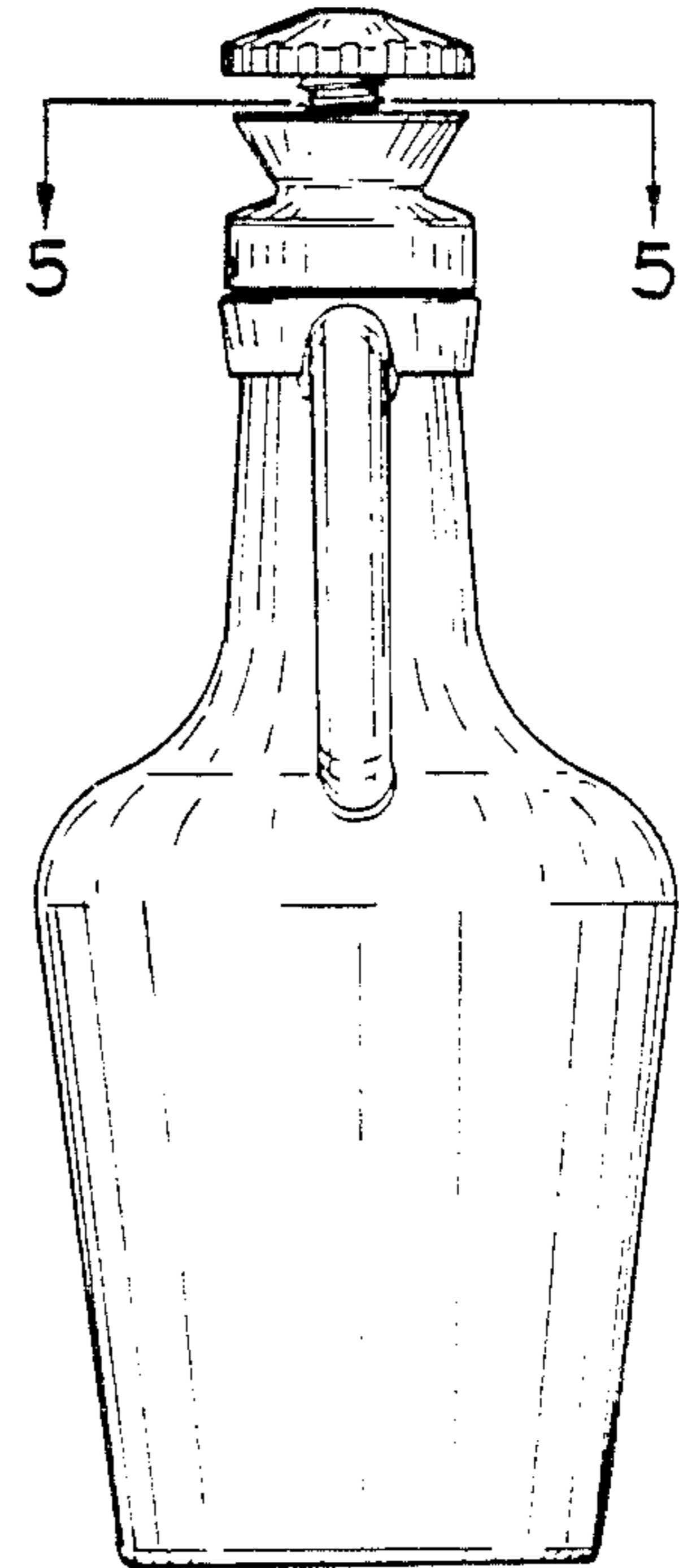


Fig. 4.

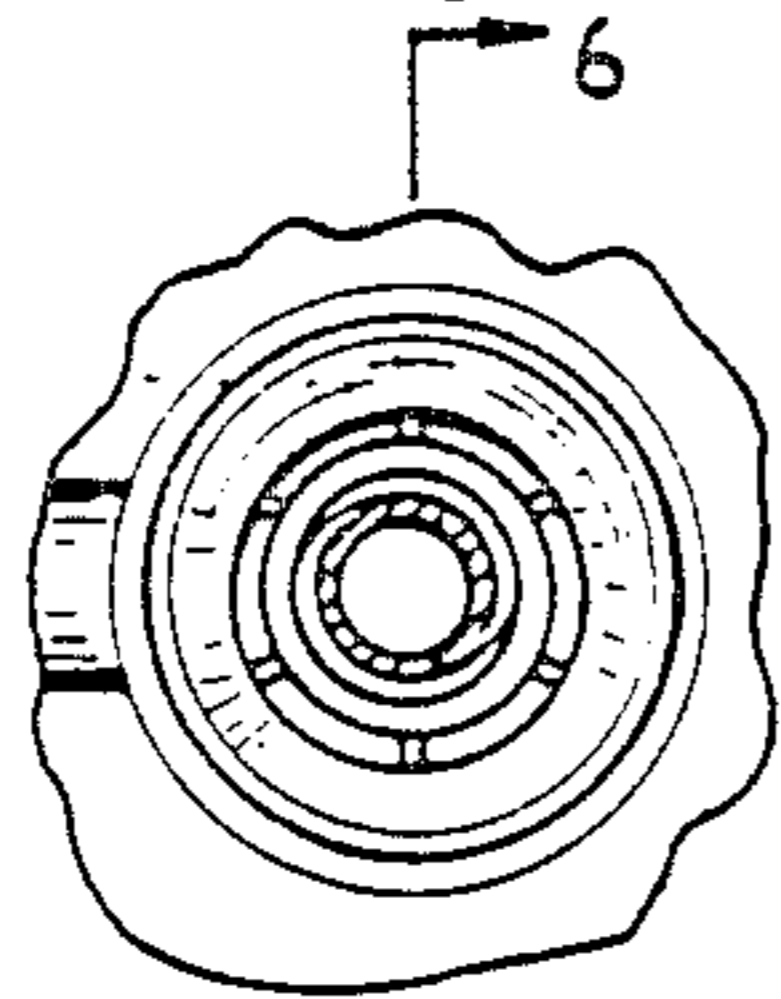


Fig. 5.

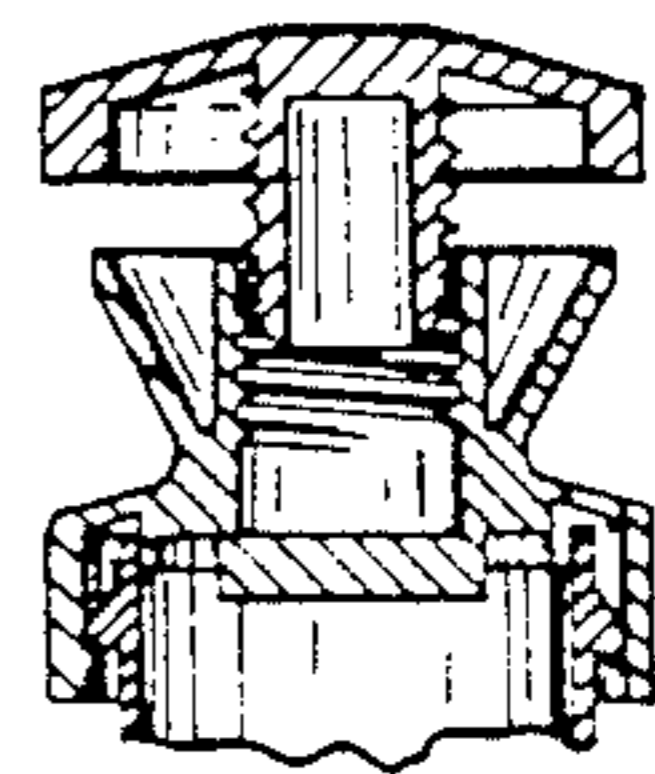


Fig. 6.