

[54] CAM TYPE FASTENER

985,184 2/1911 Lee 411/166

[75] Inventor: Melvin P. Spitz, Beverly Hills, Calif.

OTHER PUBLICATIONS

[73] Assignee: Kinematic Industries, Inc., Whittier, Calif.

John Hassall Cat. #50; ©1946; p. 23; Vet (upper right corner, third from top).

[**] Term: 14 Years

Primary Examiner—B. J. Bullock
Attorney, Agent, or Firm—Whann & McManigal

[21] Appl. No.: 499,963

[57] CLAIM

[22] Filed: Jun. 1, 1983

The ornamental design for a cam type fastener, as shown and described.

[52] U.S. Cl. D8/382; D8/387

[58] Field of Search D8/382, 387, 388;
411/500, 166, 172, 916

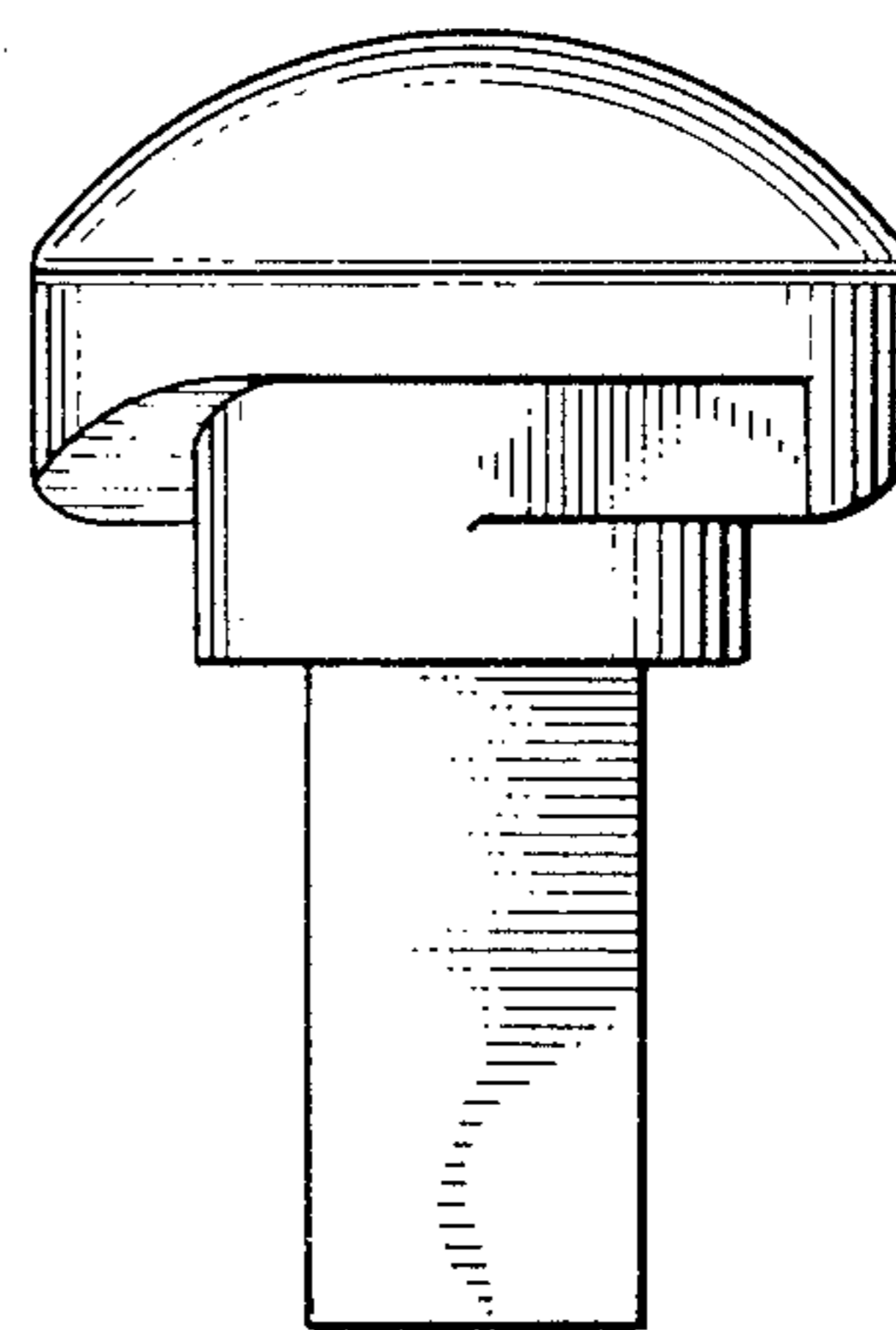
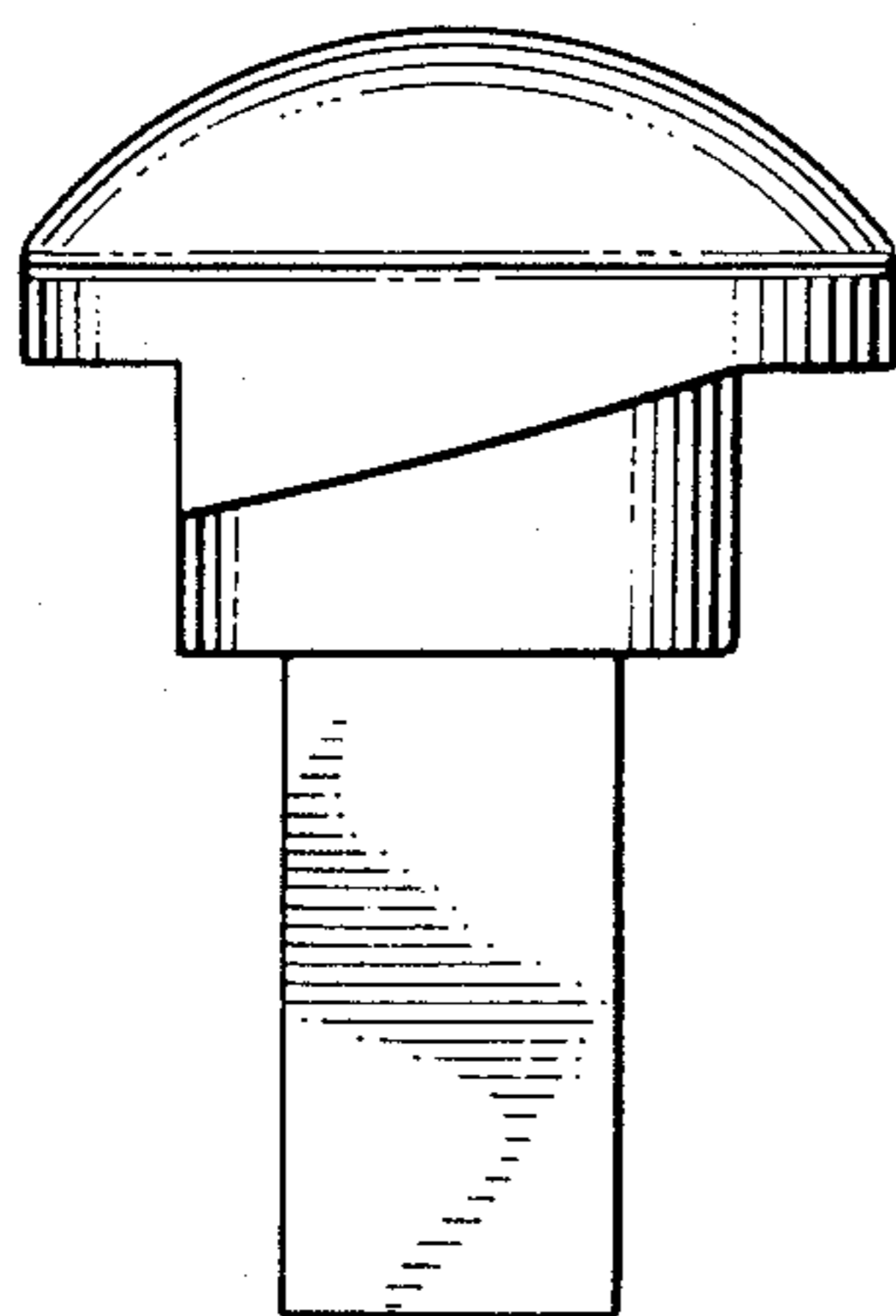
DESCRIPTION

[56] References Cited

U.S. PATENT DOCUMENTS

735,336 8/1903 Bowles 411/166
771,312 10/1904 Koehler 411/166

FIG. 1 is a front elevational view of a cam-type fastener showing my new design; the rear being identical; FIG. 2 is a side elevational view thereof, both sides being identical; FIG. 3 is a top plan view thereof; and FIG. 4 is a bottom plan view thereof.



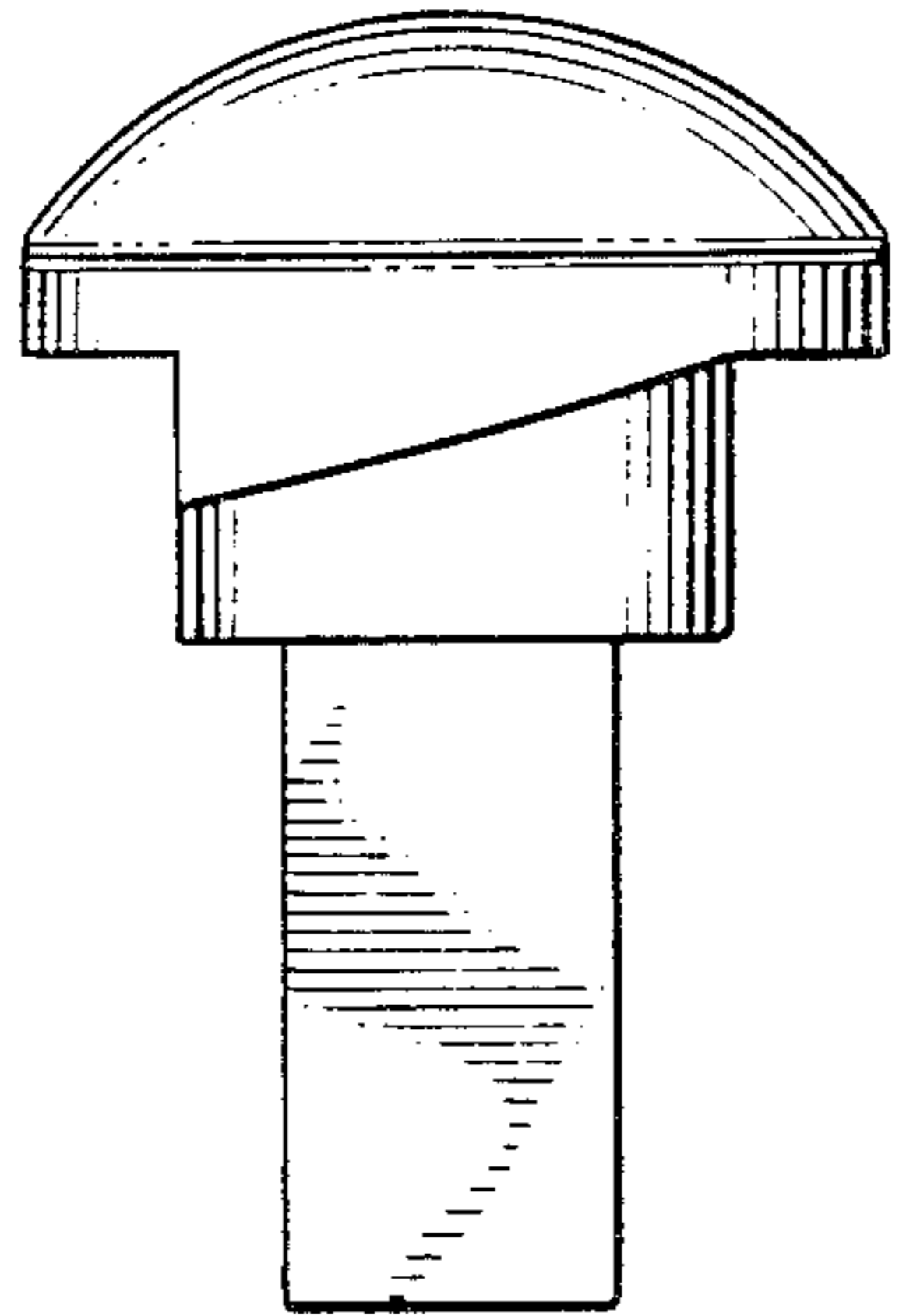


FIG. 1

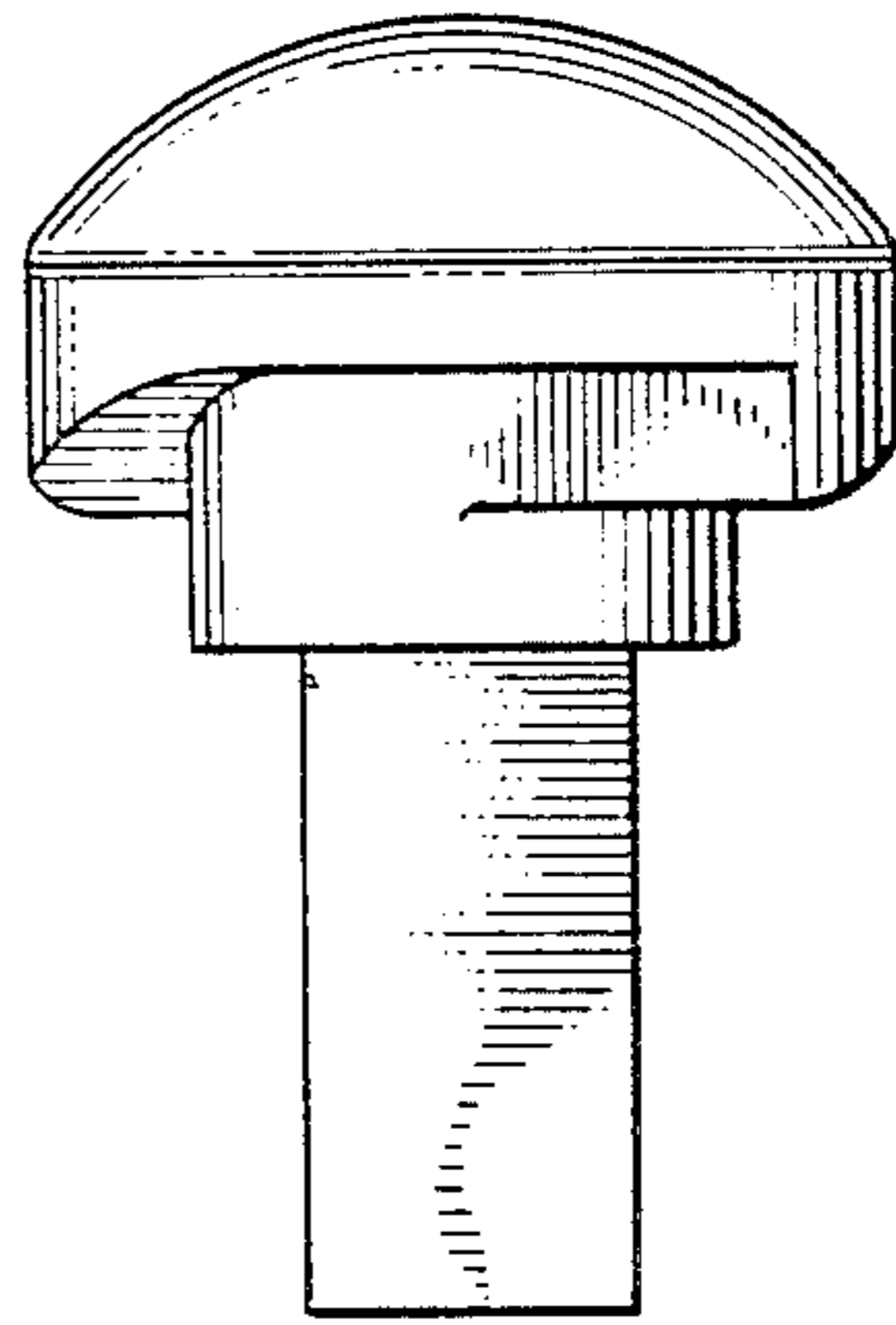


FIG. 2

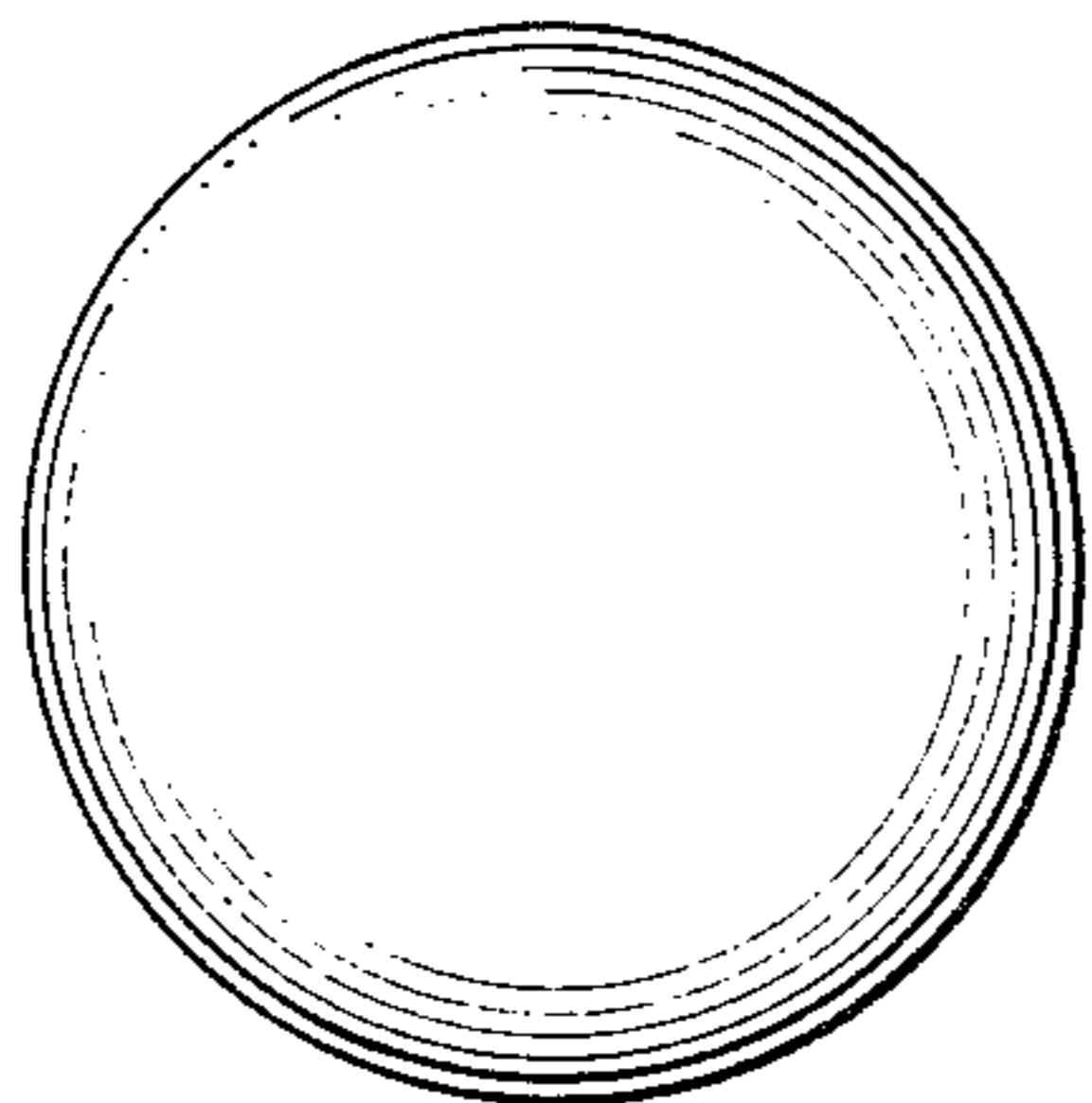


FIG. 3

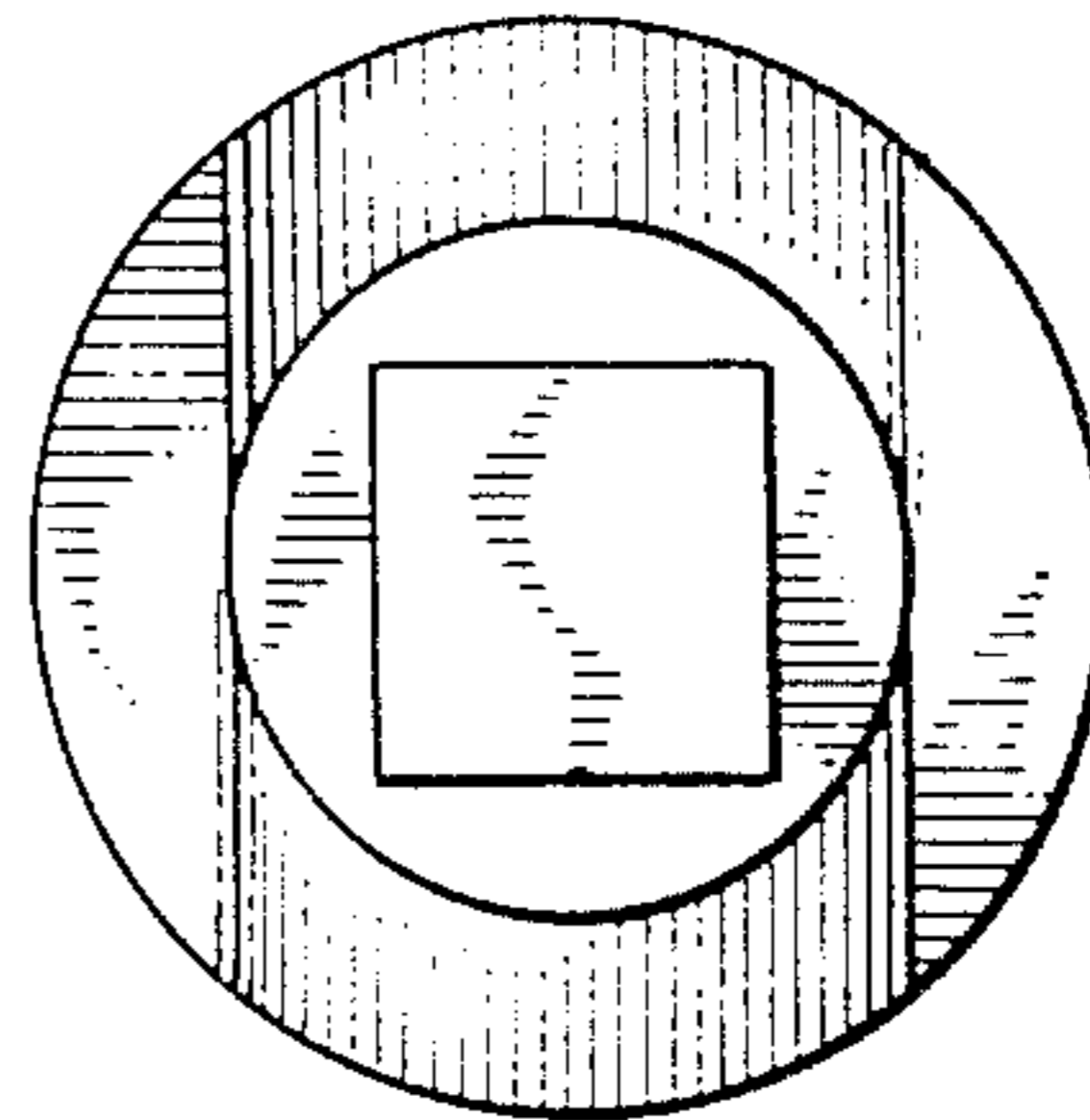


FIG. 4