

[54] ROPE ANCHORING TIE

[75] Inventors: David Y. Muramatsu, Long Beach; Miguel A. Ruksenas, Fallbrook, both of Calif.

[73] Assignee: Jawz, Inc., Fallbrook, Calif.

[**] Term: 14 Years

[21] Appl. No.: 487,035

[22] Filed: Apr. 21, 1983

[52] U.S. Cl. D8/356

[58] Field of Search D8/354, 356, 382, 383; 410/110, 113, 116, 101, 106; 24/129 R, 137, 130

[56] References Cited

U.S. PATENT DOCUMENTS

- 563,137 6/1896 Conway D8/356
- 656,431 8/1900 Stewart D8/356

- 736,628 8/1903 Priddat 24/130
- 760,428 5/1904 Cross 24/130
- 2,068,176 1/1937 Hedrick D8/356
- 2,720,289 10/1955 Henrickson D8/370
- 3,267,540 8/1966 Wolcott et al. 24/130

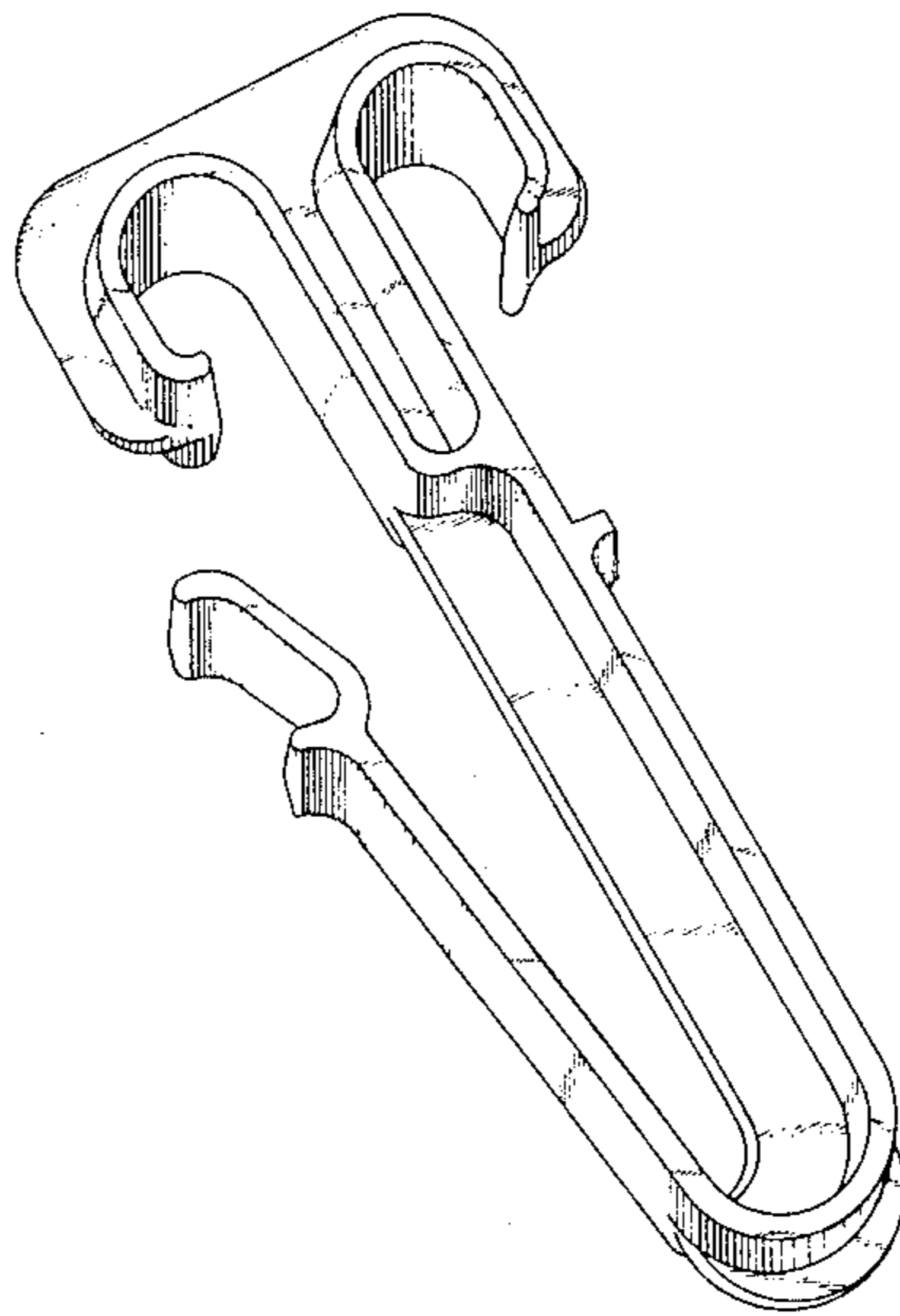
Primary Examiner—B. J. Bullock
Attorney, Agent, or Firm—Seiler, Quirk & Tratos

[57] CLAIM

The ornamental design for a rope anchoring tie, as shown.

DESCRIPTION

FIG. 1 is an enlarged perspective view of a rope anchoring tie showing our new design; FIG. 2 is a side view taken from the left of FIG. 1; FIG. 3 is a front view thereof; FIG. 4 is a side view taken from the right of FIG. 1; FIG. 5 is a top view thereof; and FIG. 6 is a bottom view thereof.



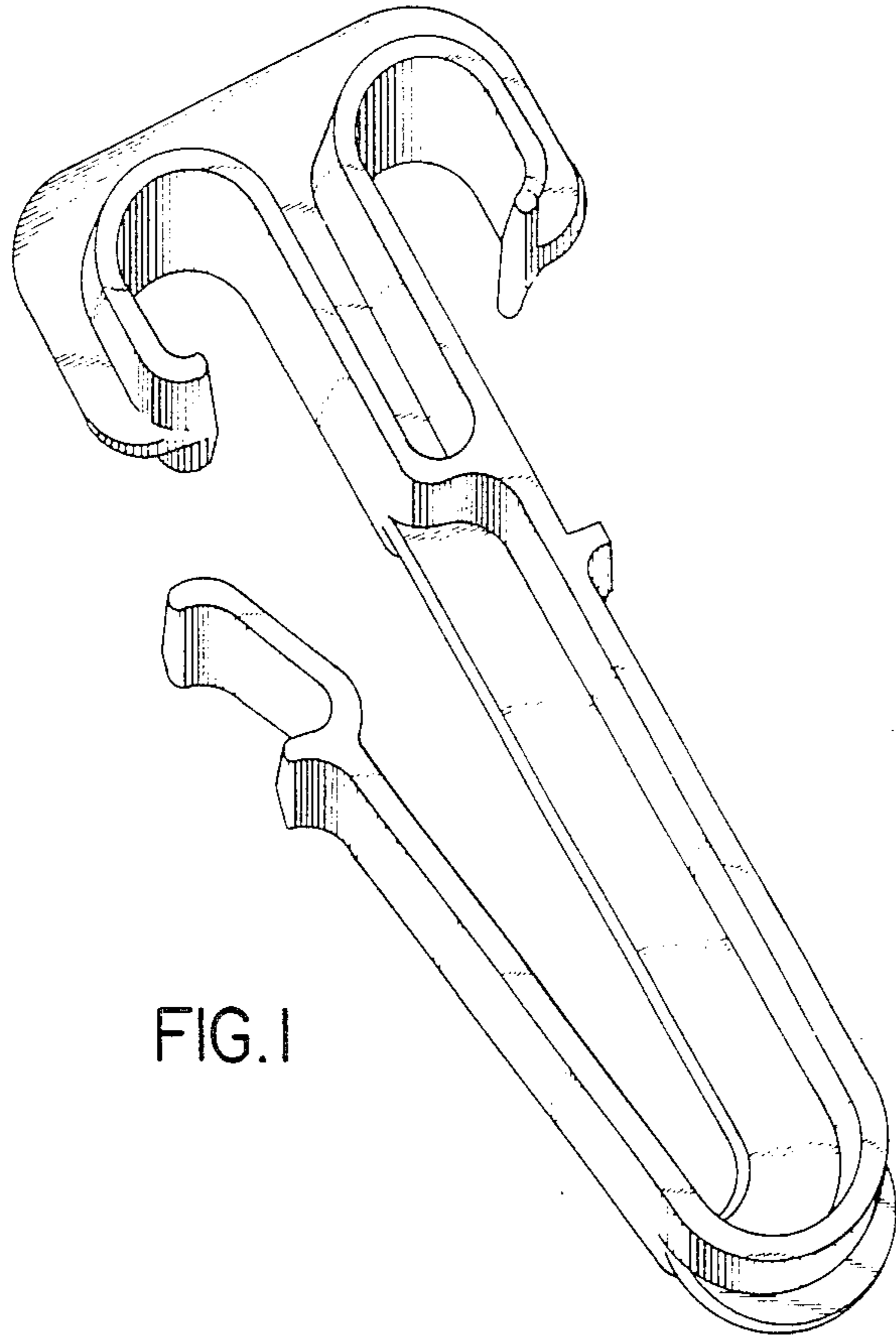


FIG. 1

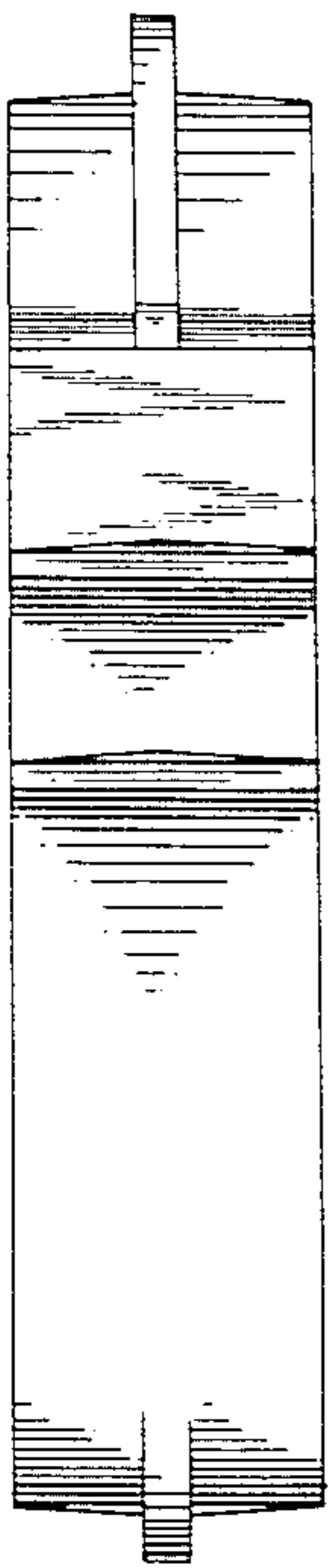


FIG. 2

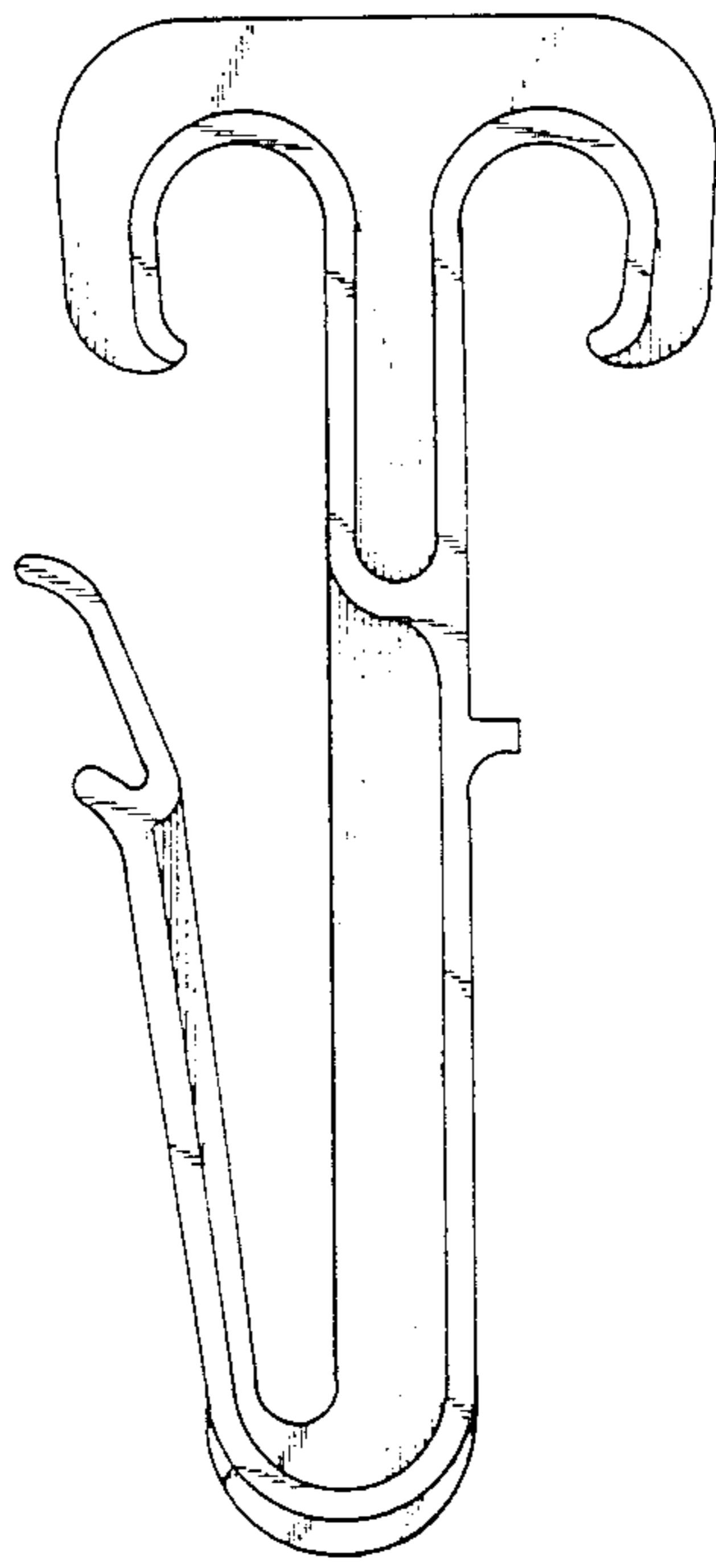


FIG. 3

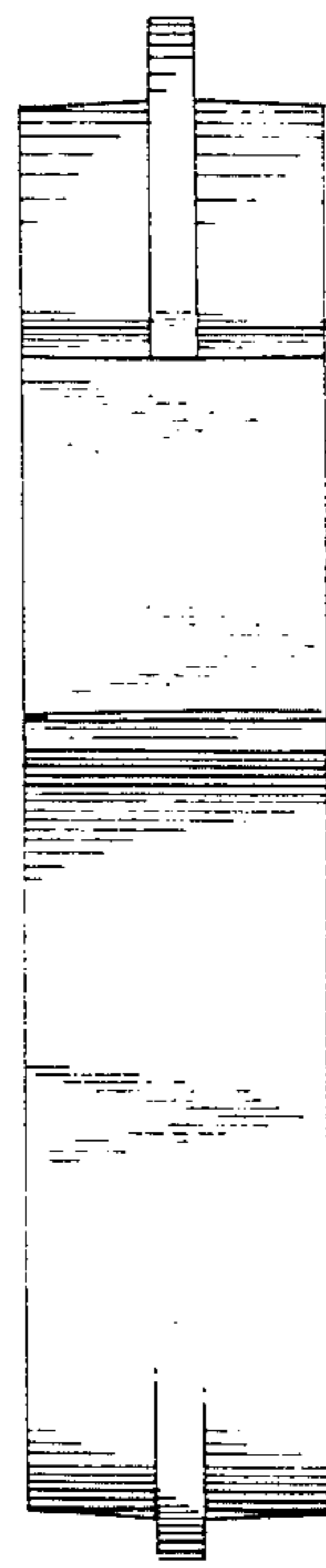


FIG. 4

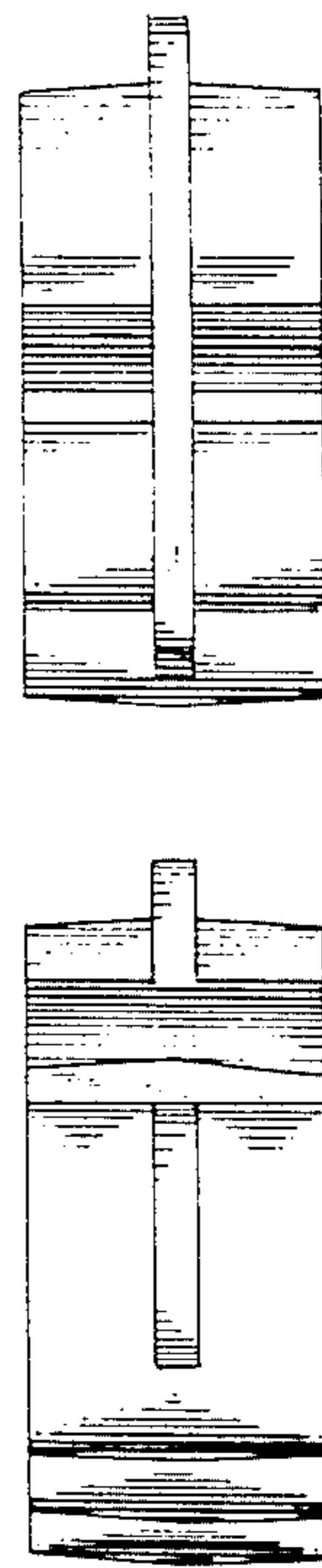


FIG. 5

FIG. 6