

[54] COMBINED POSITION-INDICATOR SWITCH FACE PLATE AND KEY HANDLE

[75] Inventor: Albert H. G. Turpin, London, England

[73] Assignee: TOK Switches Limited, London, England

[\*\*] Term: 14 Years

[21] Appl. No.: 487,217

[22] Filed: Apr. 21, 1983

[30] Foreign Application Priority Data

Oct. 22, 1982 [GB] United Kingdom ..... 1009379
[52] U.S. Cl. .... D8/331; D8/347
[58] Field of Search ..... D8/347, 330, 331; 70/406, 408, 409, 357

[56] References Cited

U.S. PATENT DOCUMENTS

D. 246,761 12/1977 Kelley et al. .... D8/347
3,439,516 4/1969 Quillen ..... 70/406
4,107,963 8/1978 Yorio et al. .... 70/409

FOREIGN PATENT DOCUMENTS

2149008 3/1973 France ..... 70/408
0926204 5/1982 U.S.S.R. .... 70/357

OTHER PUBLICATIONS

OAK Sales Bulletin (1 page); prior to 4/21/1982.
Chicago Lock Co.-Switch Locks (2 pages); 4/21/1982.
C & K Consumer Products (1 page); 4/21/1982.
Illinois Lock Company (1 page); 4/21/1982.

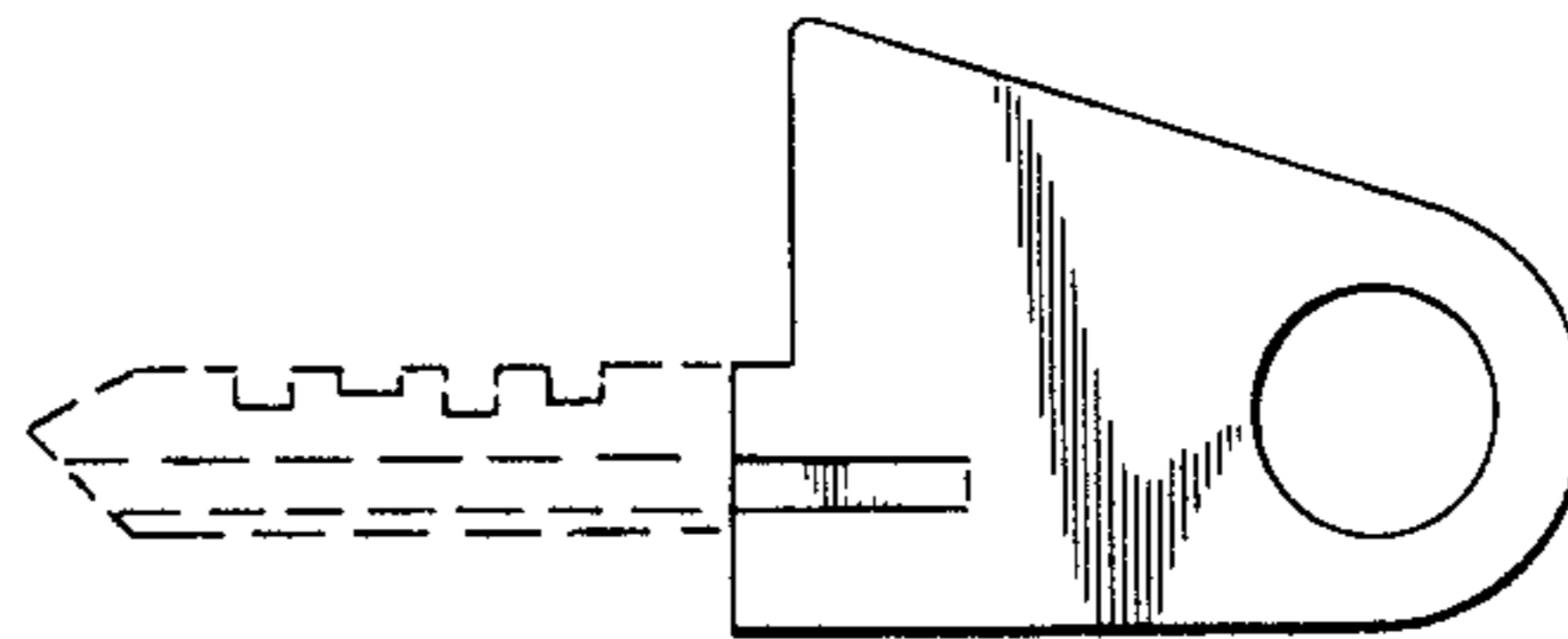
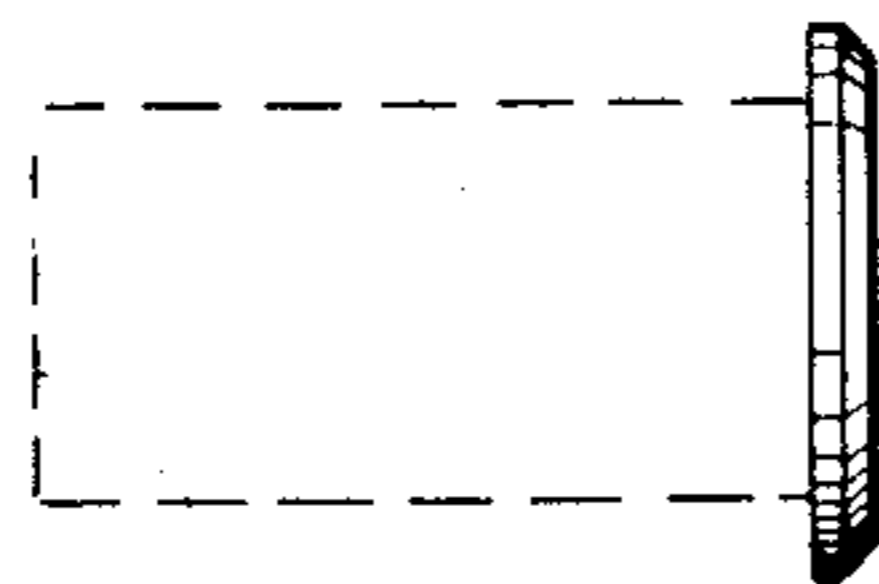
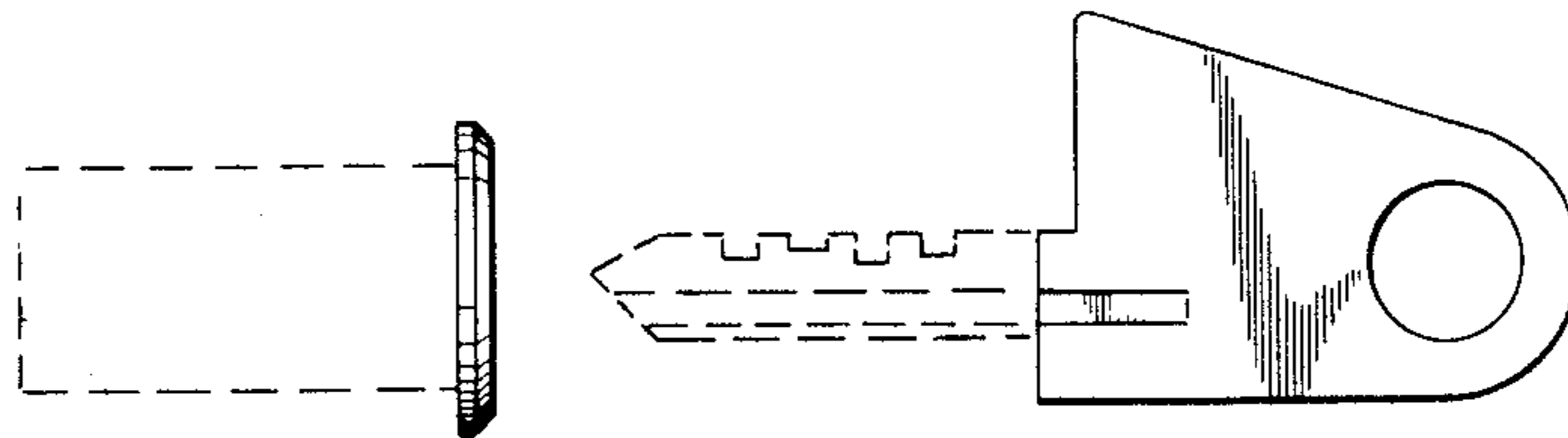
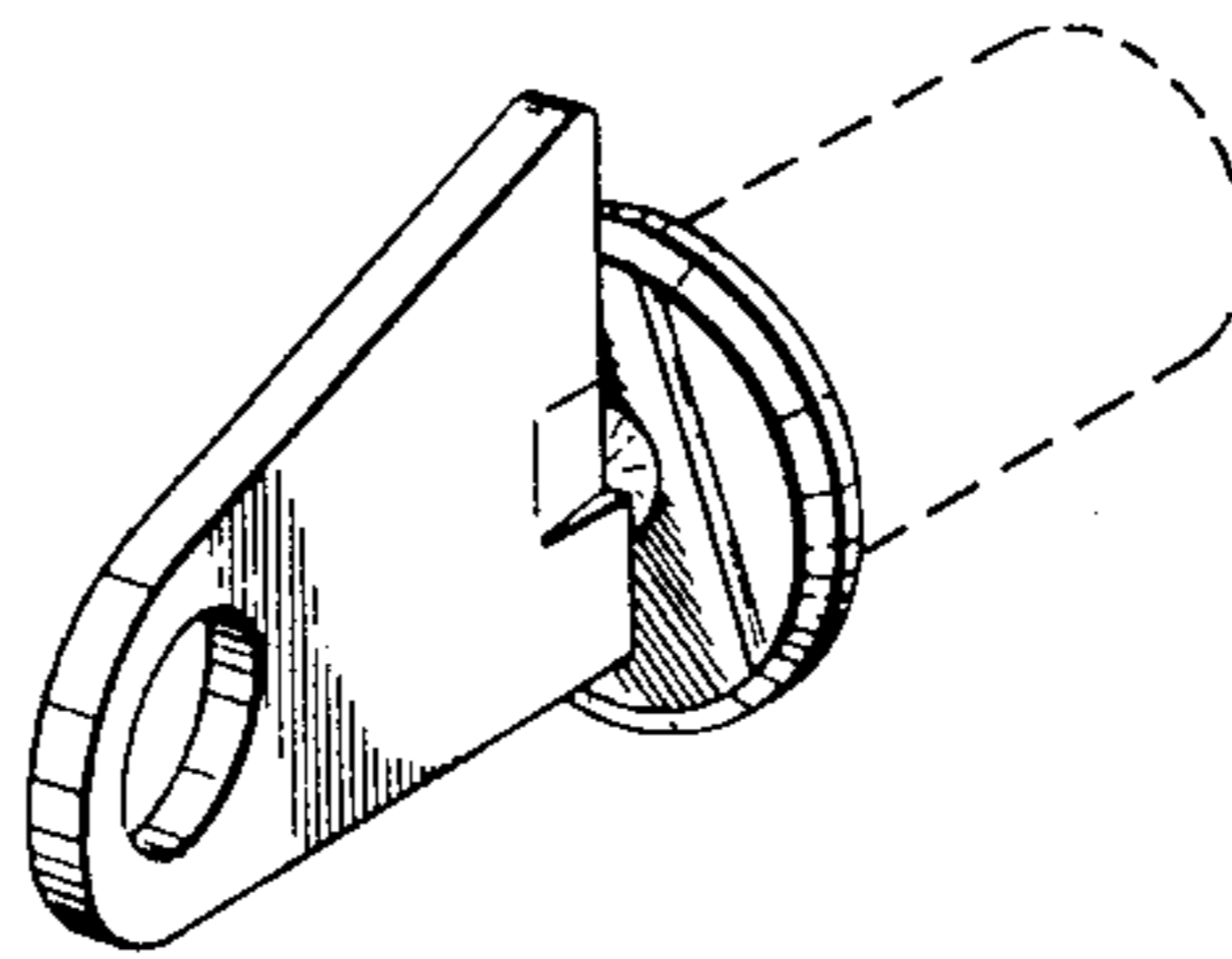
Primary Examiner-B. J. Bullock
Assistant Examiner-Suzanne N. Gitlin
Attorney, Agent, or Firm-Mandeville and Schweitzer

[57] CLAIM

The ornamental design for a combined position-indicator switch face plate and key handle, as shown and described.

DESCRIPTION

FIG. 1 is a reduced perspective view of a combined position-indicator switch plate and key handle showing my new design, the cylindrical body of the switch shown in broken lines is for illustrative purposes only; FIG. 2 is an exploded side elevational view, the cylindrical body of the switch and the notched blade portion of the key shown in broken lines are for illustrative purposes only; FIG. 3 is a front elevational view of the switch face plate shown separately for ease of illustration; FIG. 4 is a front elevational view of the switch face plate and the key handle in assembled condition.



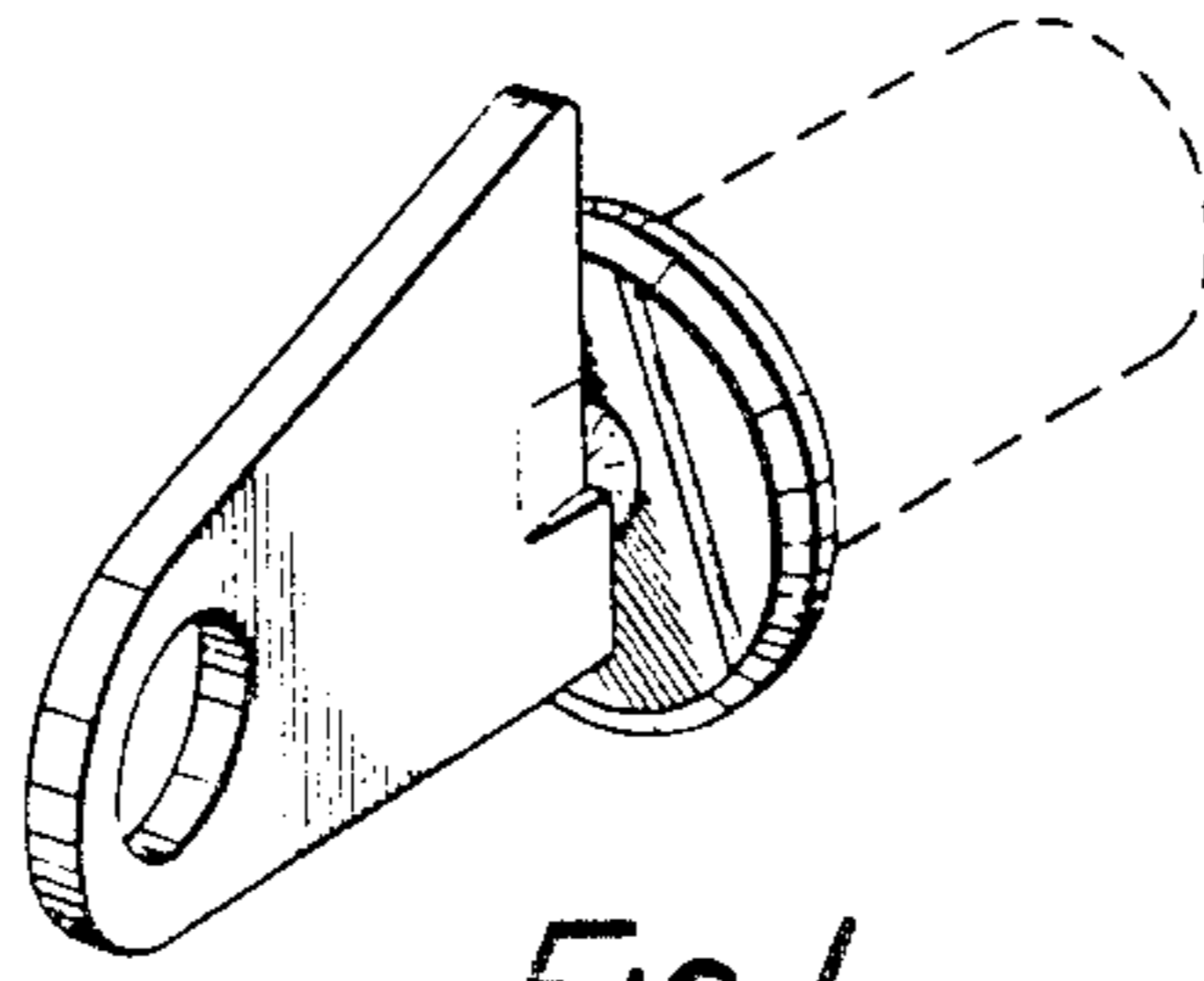


FIG. 1.

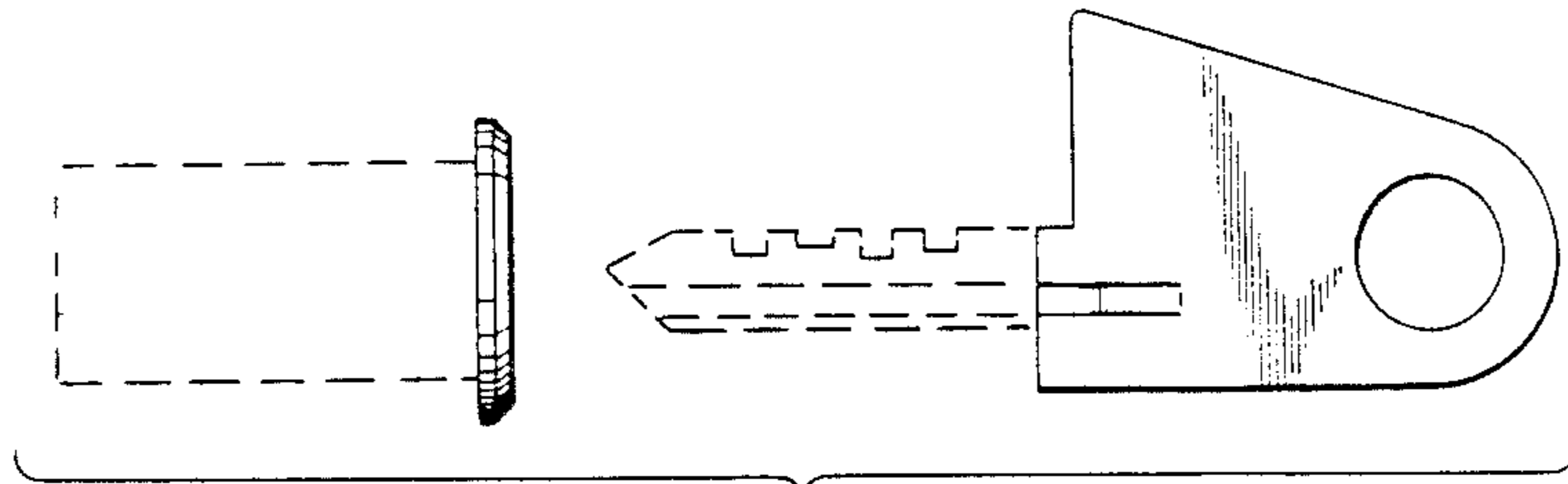


FIG. 2.

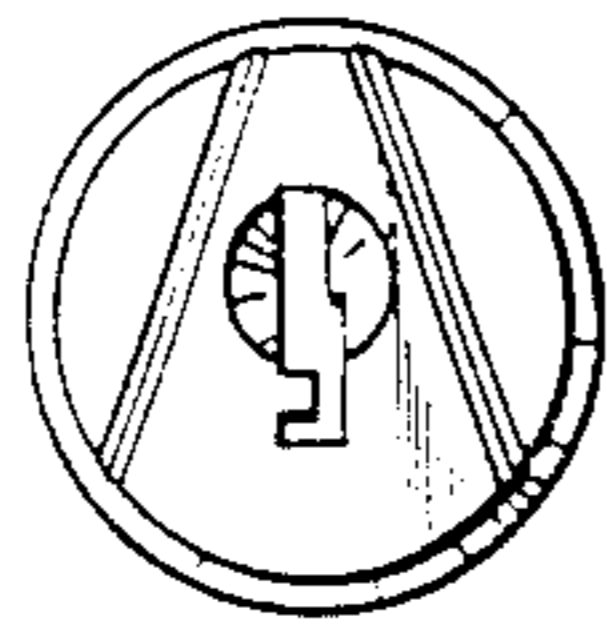


FIG. 3.

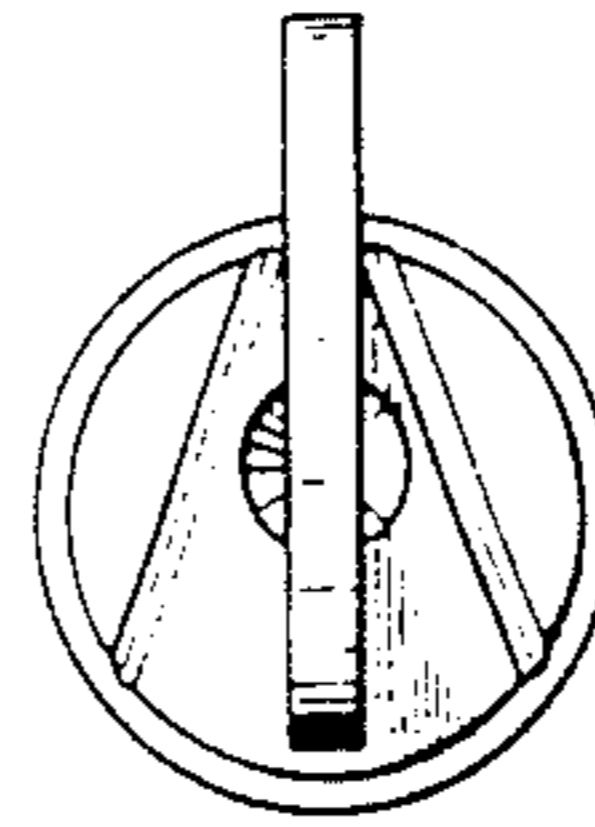


FIG. 4.