

[54] **LATCH HANDLE**

[76] **Inventor: Joseph C. Bancroft, 812 Sweetwater Blvd., Longwood, Fla. 32779**

[**] **Term: 14 Years**

[21] **Appl. No.: 761,817**

[22] **Filed: Aug. 2, 1985**

[52] **U.S. Cl. D8/300; D25/74**

[58] **Field of Search D25/52, 73-76; 49/419, 504, DIG. 2; 52/202; D8/300, 313, 314, 315**

[56] **References Cited**

U.S. PATENT DOCUMENTS

D. 251,445 3/1979 Bancroft et al. D25/74

OTHER PUBLICATIONS

1981 Sweet's Catalog File, p. 12, Vertical detail, Series 3000, top left of page.

*Primary Examiner—A. Hugo Word
Attorney, Agent, or Firm—Macdonald J. Wiggins*

[57] **CLAIM**

The ornamental design for a latch handle, as shown and described.

DESCRIPTION

FIG. 1 is a fragmentary top perspective view of the latch handle showing my design;
FIG. 2 is a front elevational view thereof in which the rear view thereof is a mirror image of the front view;
FIG. 3 is a left elevational view thereof broken away to indicate indeterminate length;
FIG. 4 is a right elevational view thereof broken away to indicate indeterminate length;
FIG. 5 is a bottom plan view thereof broken away to indicate indeterminate length; and
FIG. 6 is a top plan view thereof broken away to indicate indeterminate length.

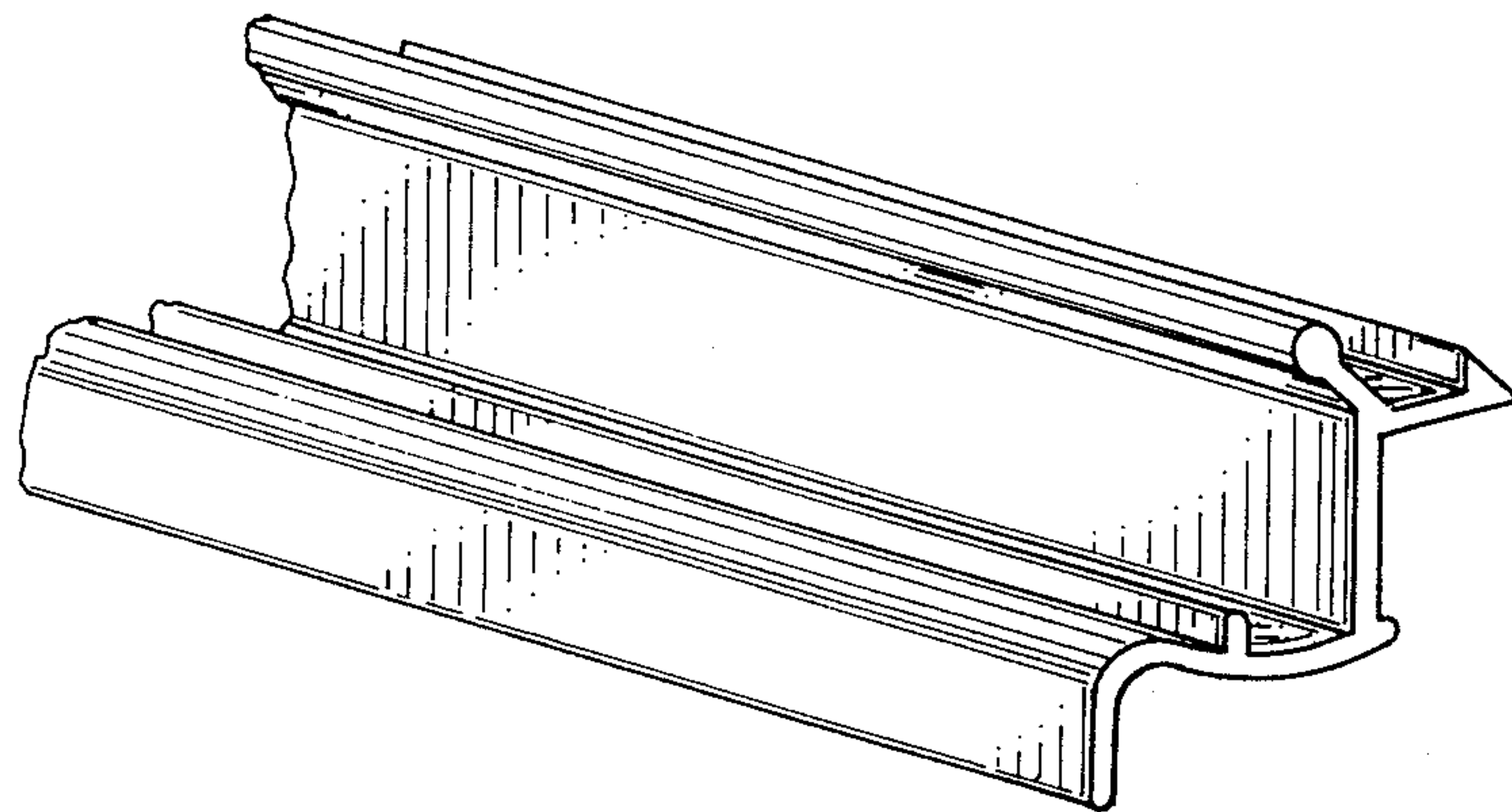


FIG. 2

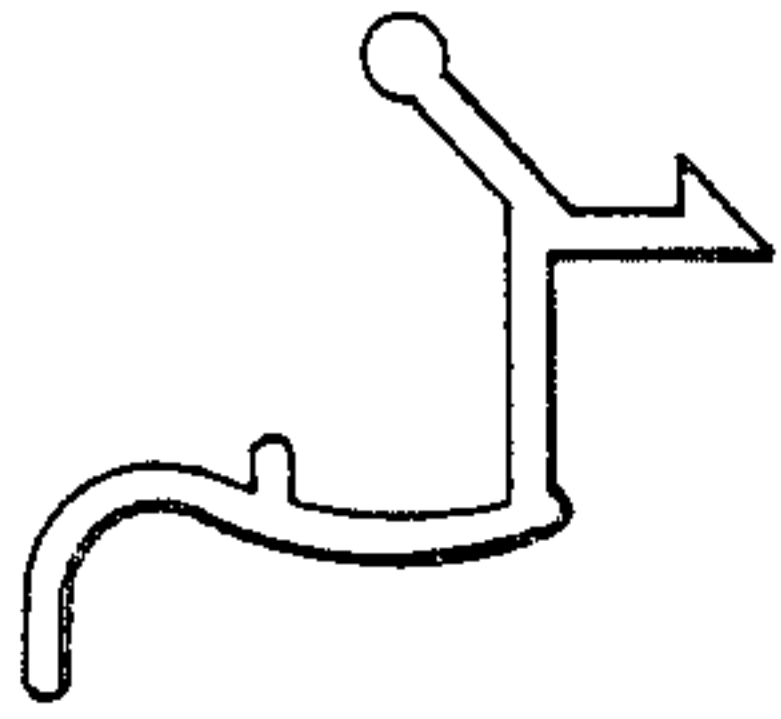


FIG. 1

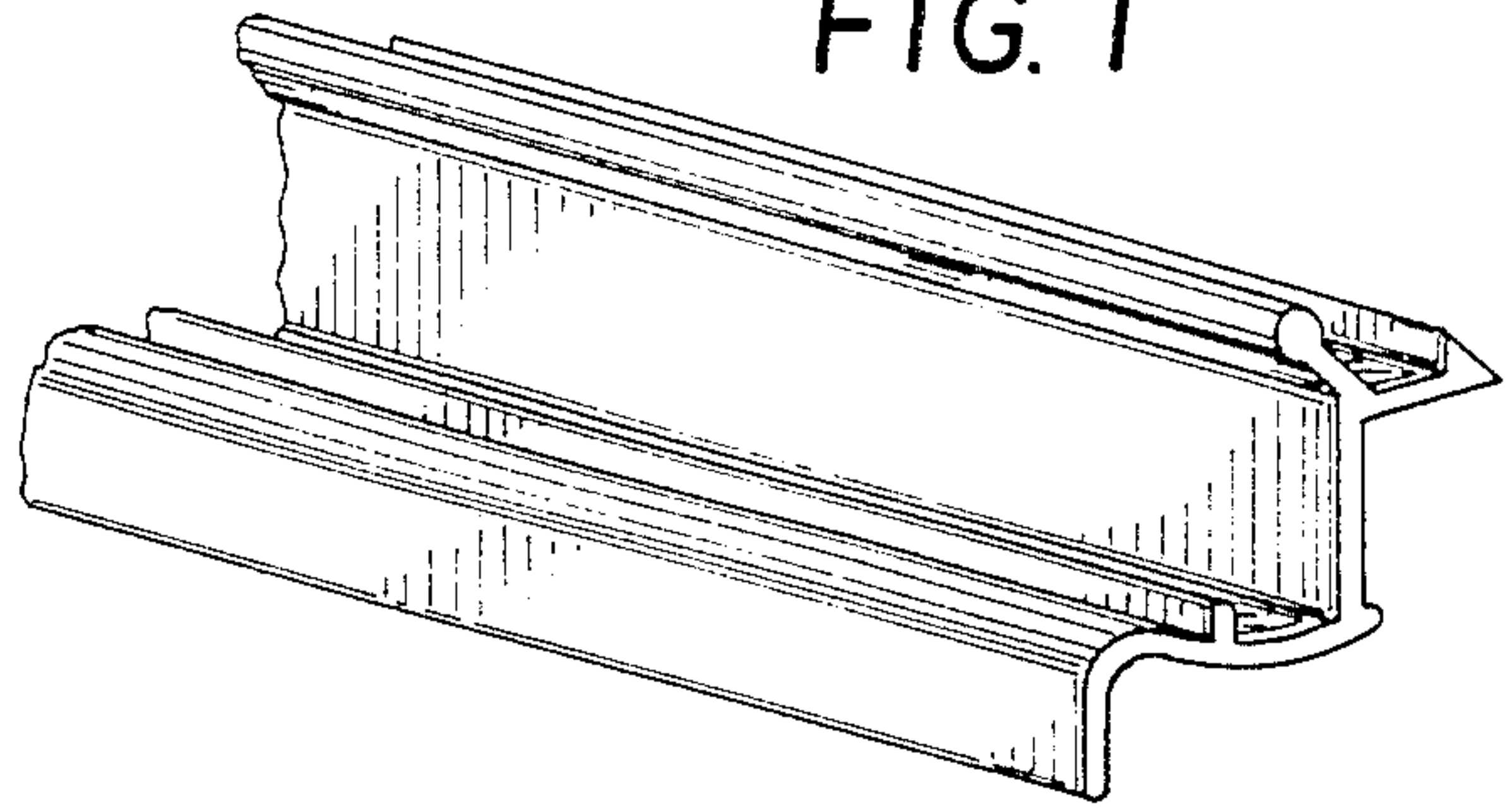


FIG. 3

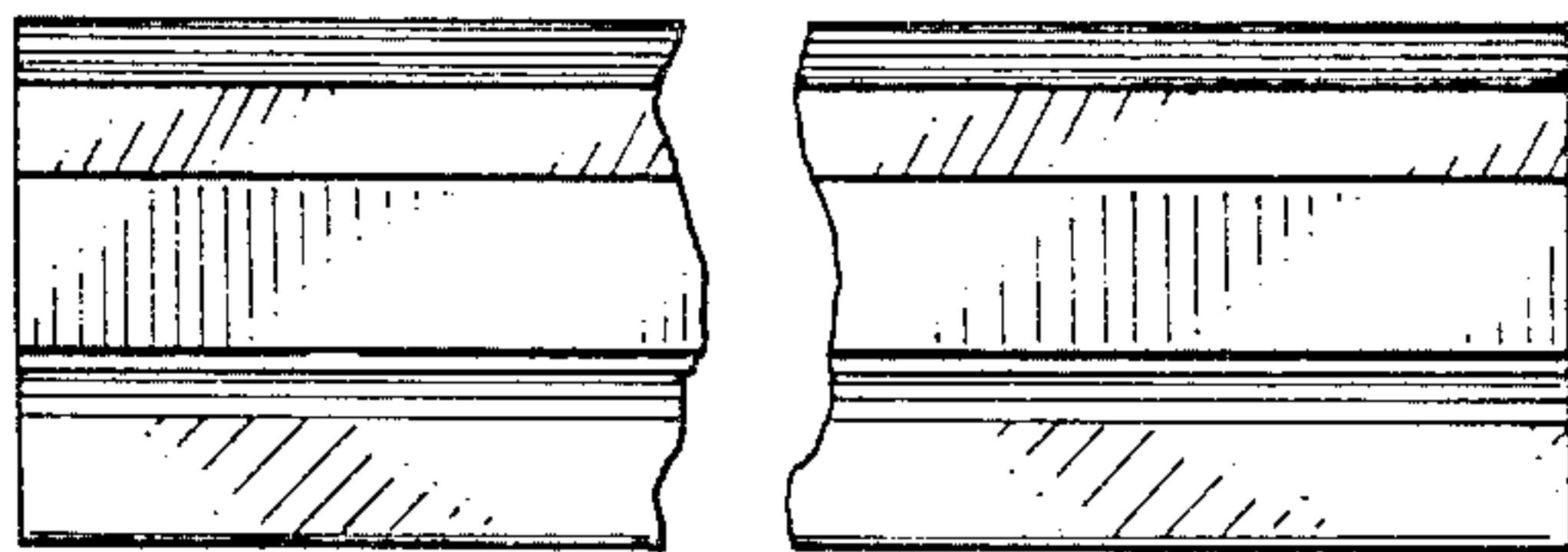


FIG. 4

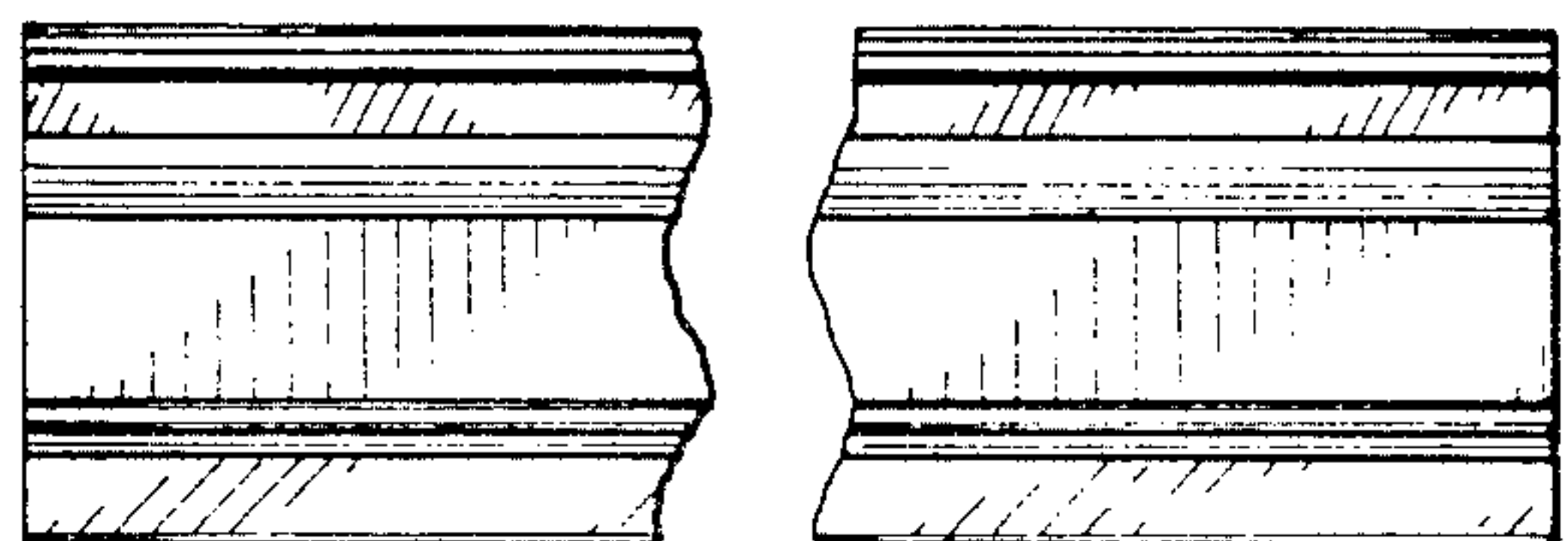


FIG. 5

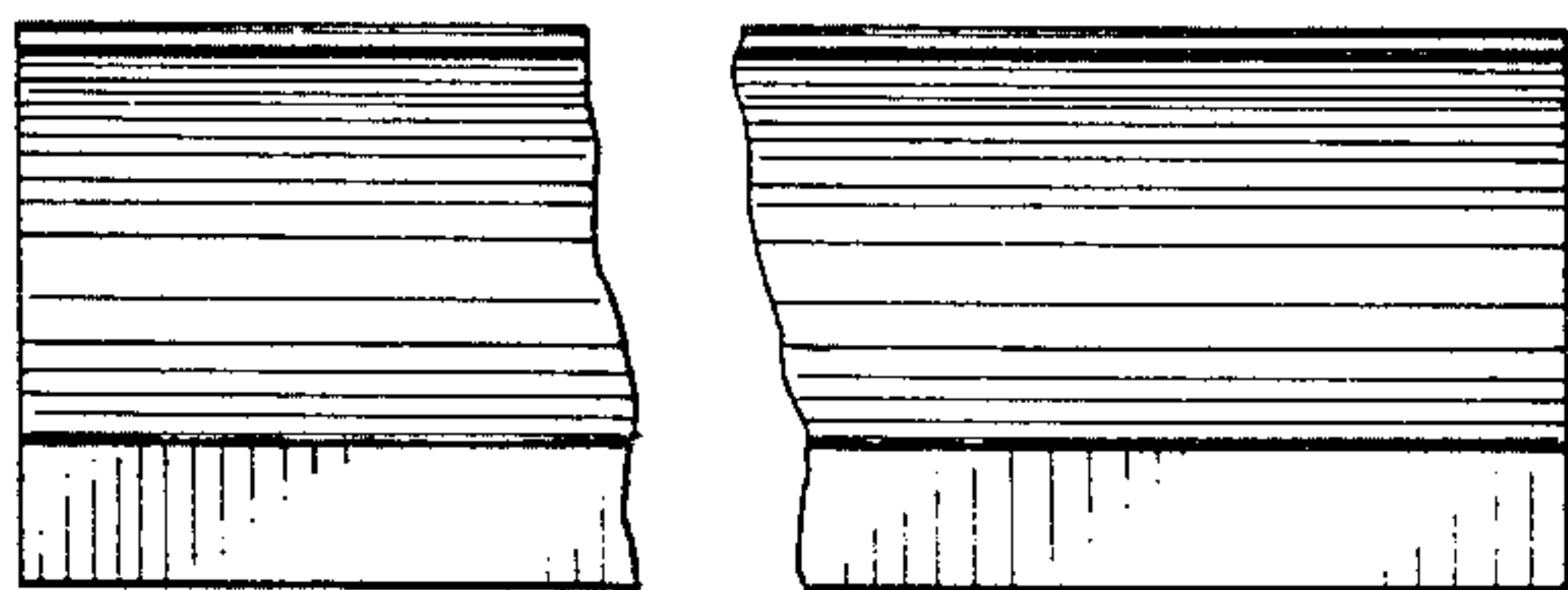


FIG. 6

