

[54] LATCH HANDLE EXTRUSION

[76] Inventor: Joseph C. Bancroft, 102 Sweetwater Club Blvd., Longwood, Fla. 32750

[**] Term: 14 Years

[21] Appl. No.: 556,378

[22] Filed: Nov. 30, 1983

[52] U.S. Cl. D8/300; D25/74

[58] Field of Search D25/52, 73-76; 49/419, 504, DIG. 2; 52/202; D8/300, 313, 314, 315

[56] References Cited

U.S. PATENT DOCUMENTS

D. 251,445 3/1979 Bancroft et al. D25/74

OTHER PUBLICATIONS

1981 Sweet's Catalog File, p. 12, Vertical detail, Series 3000, top left of page.

Primary Examiner—A. Hugo Word
Attorney, Agent, or Firm—Macdonald J. Wiggins

[57] CLAIM

The ornamental design for a latch handle extrusion, as shown and described.

DESCRIPTION

FIG. 1 is a perspective view of the latch handle extrusion showing my new design;
FIG. 2 is a right side elevation thereof;
FIG. 3 is a front elevation thereof;
FIG. 4 is a left side elevation thereof;
FIG. 5 is a rear elevation view thereof;
FIG. 6 is a top plan view thereof; and
FIG. 7 is a bottom plan view thereof.

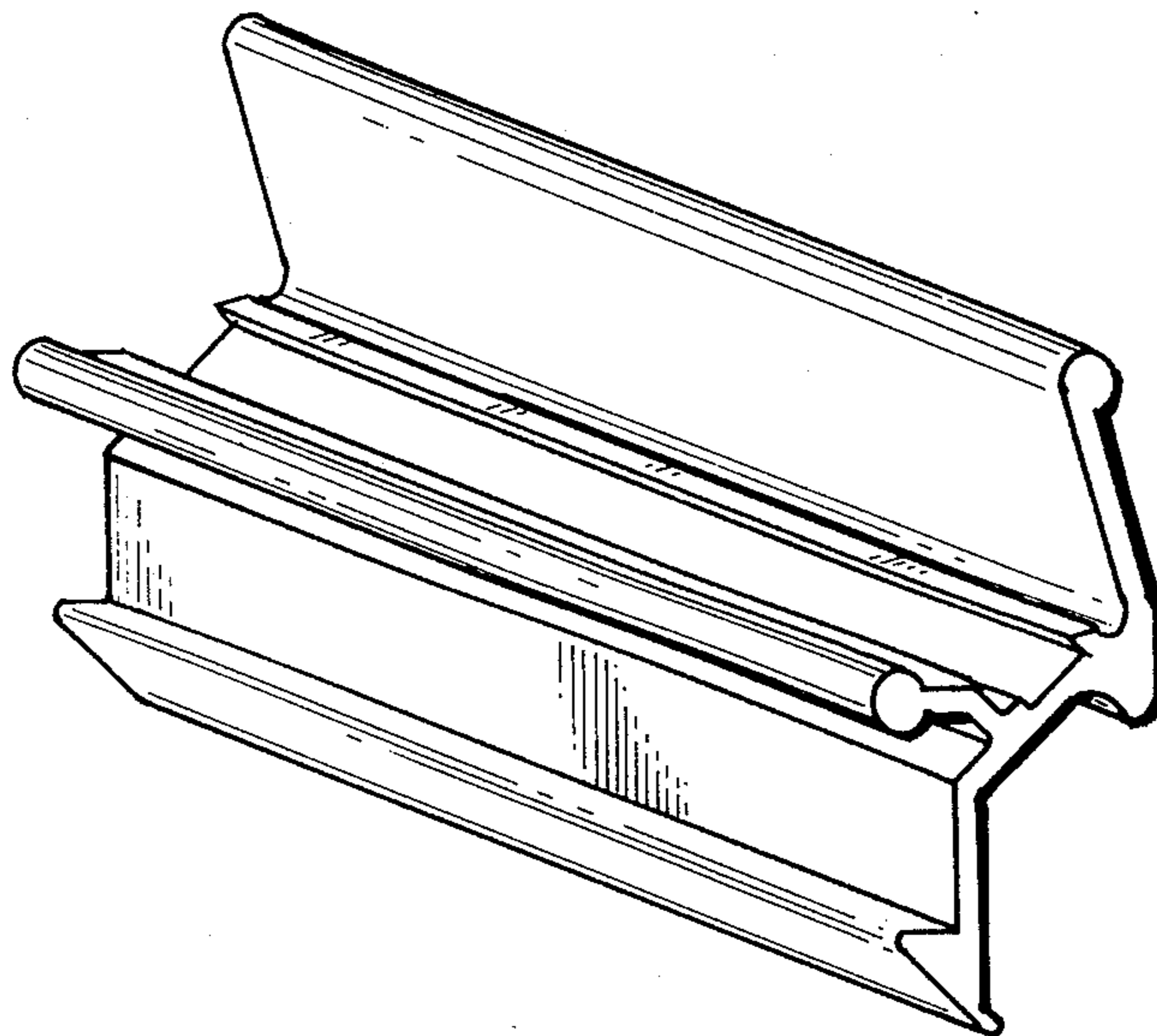


FIG. 1

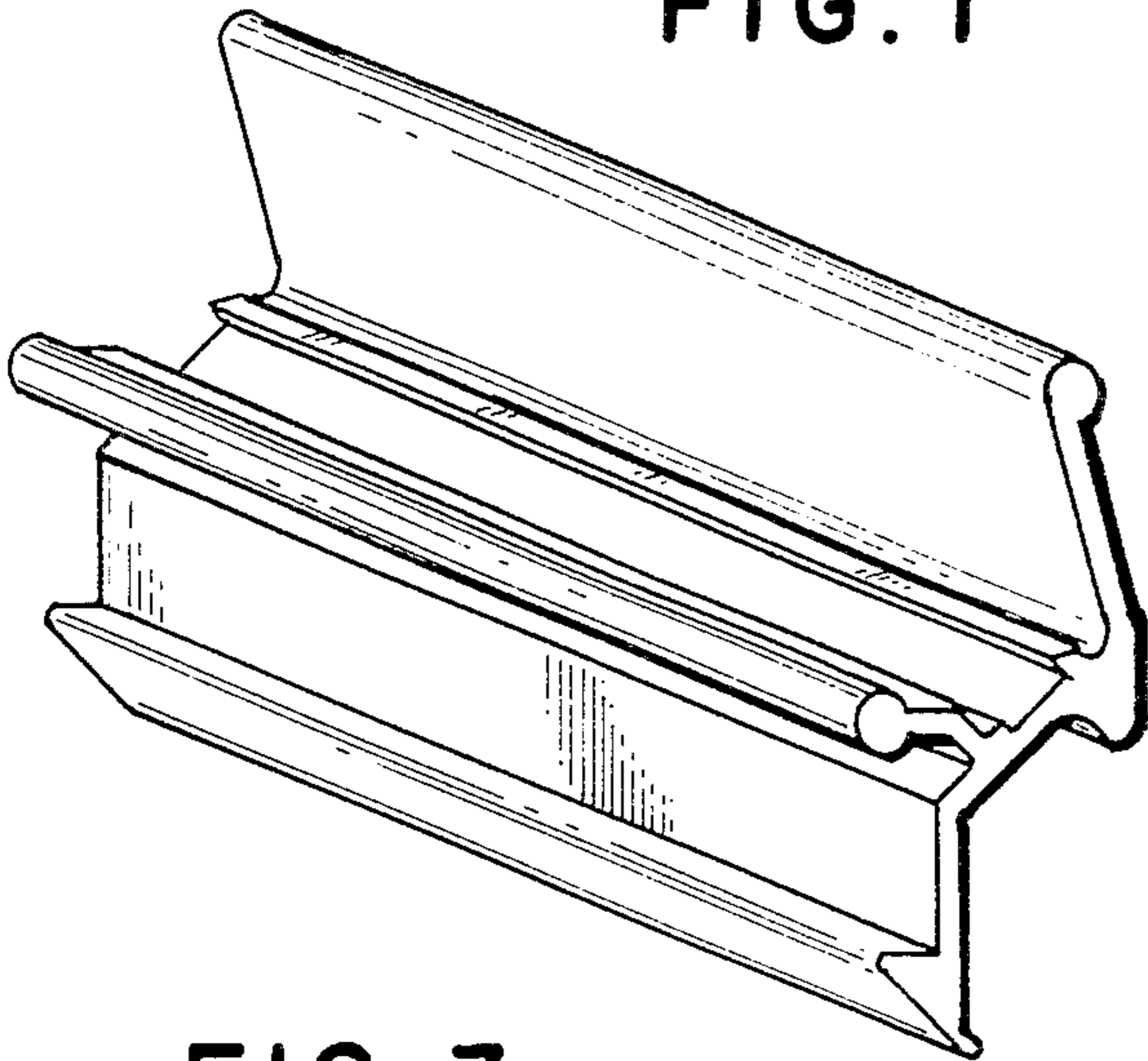


FIG. 2

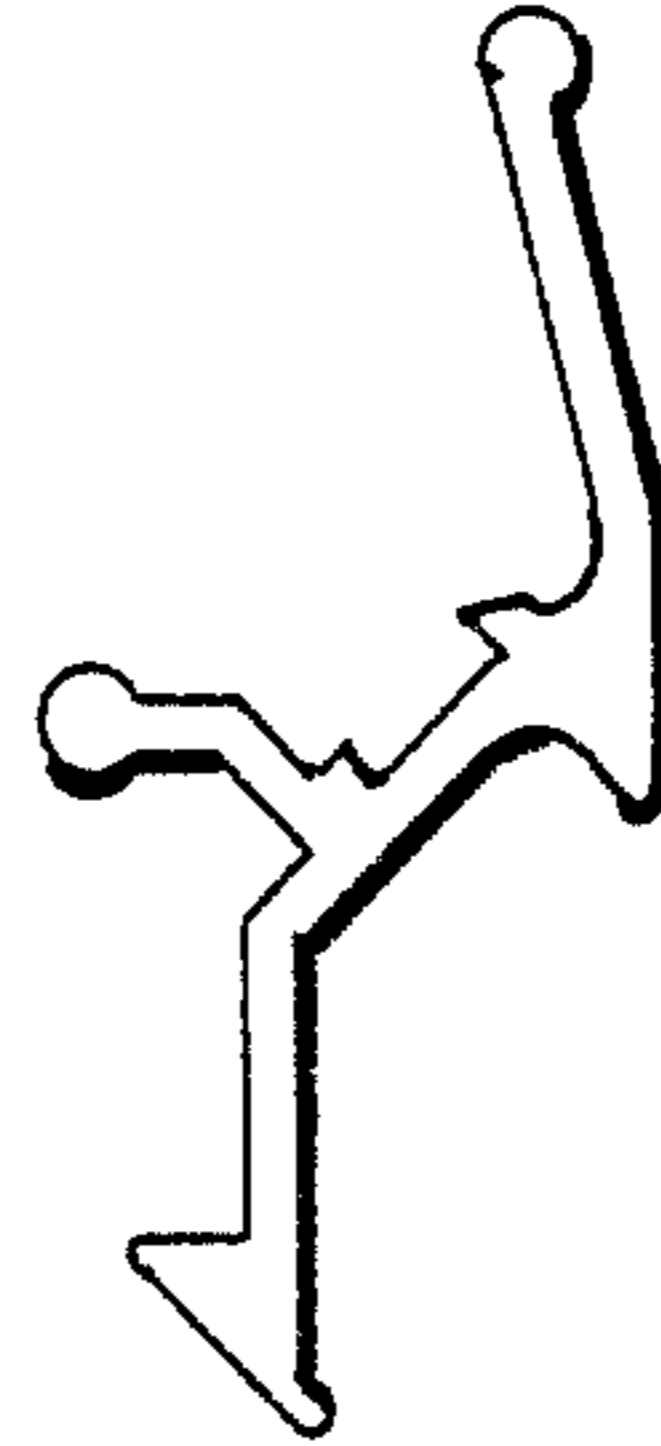


FIG. 3

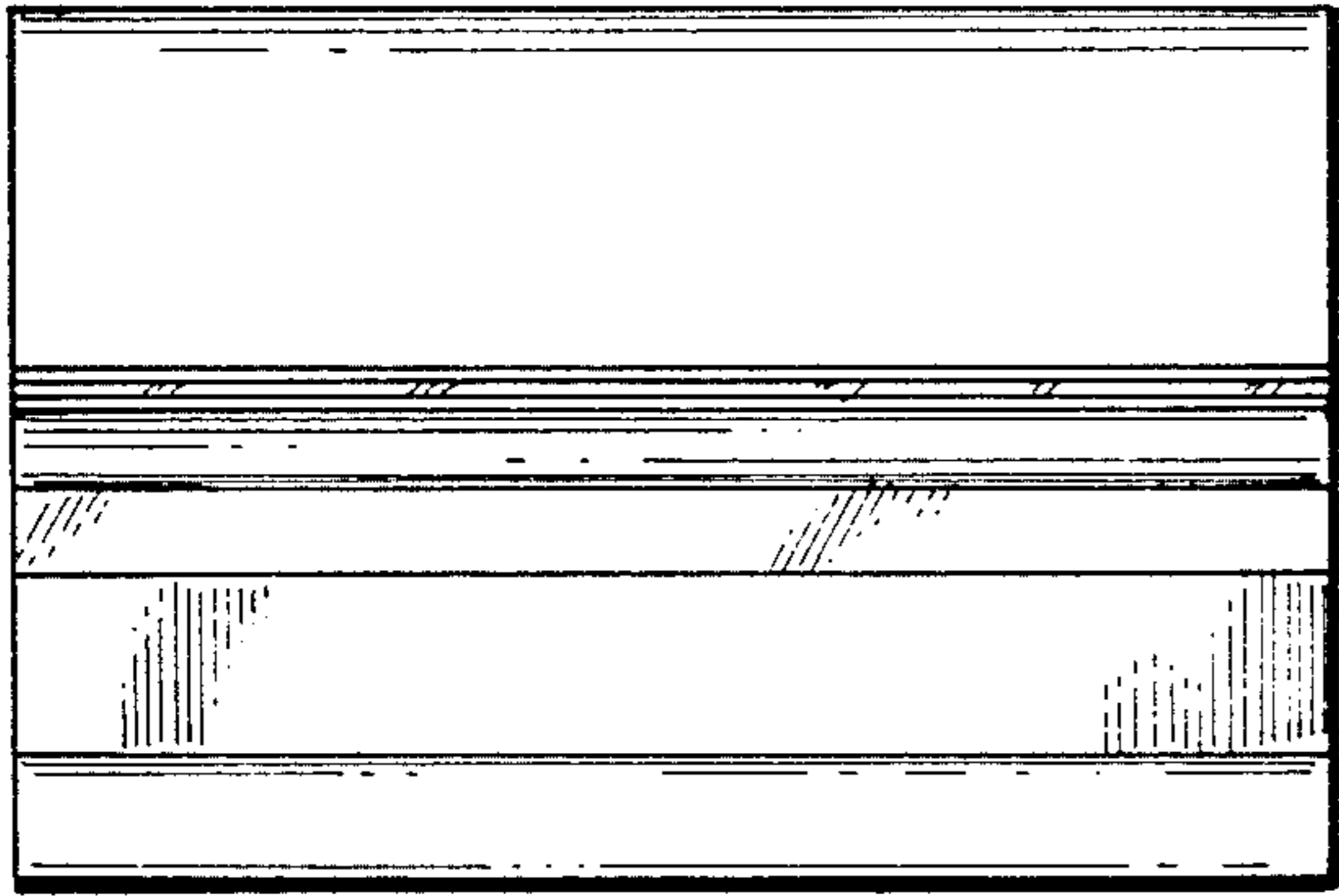


FIG. 4

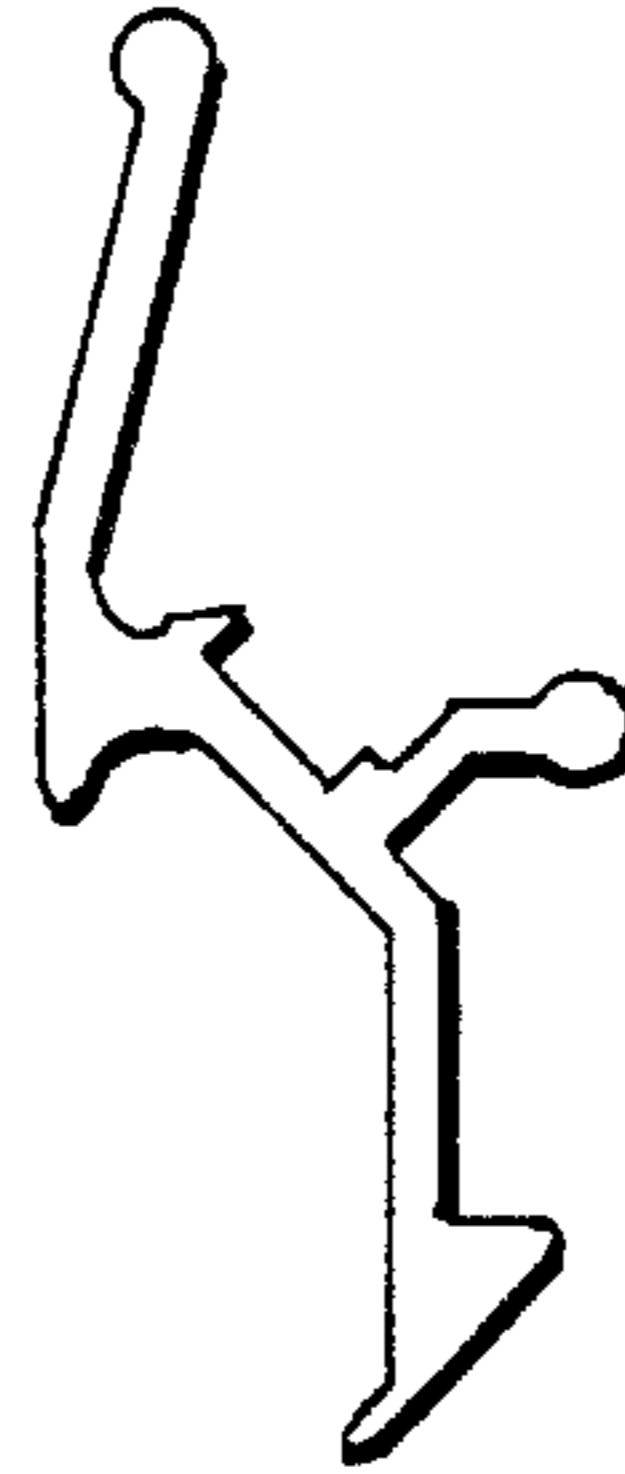


FIG. 5

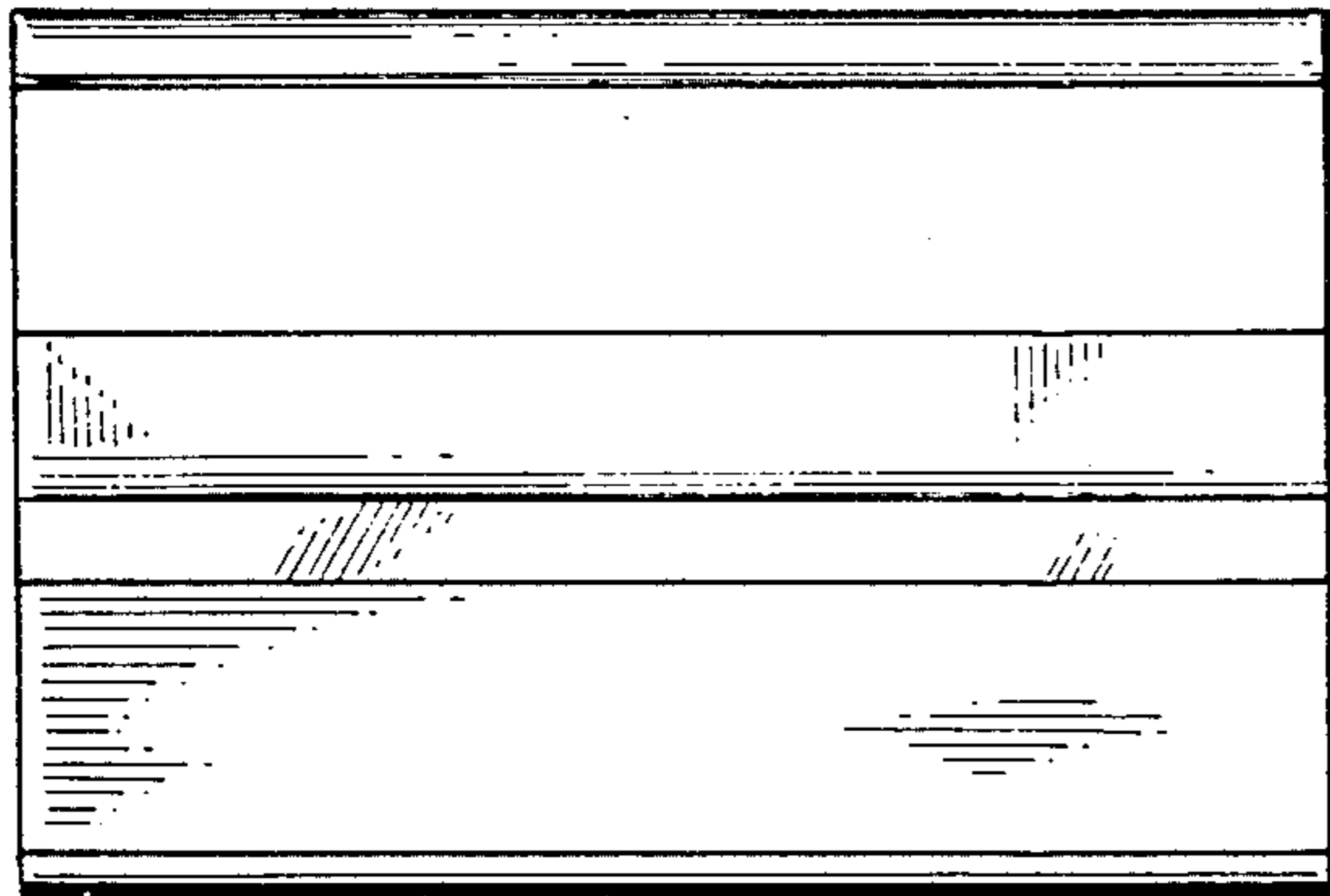


FIG. 6

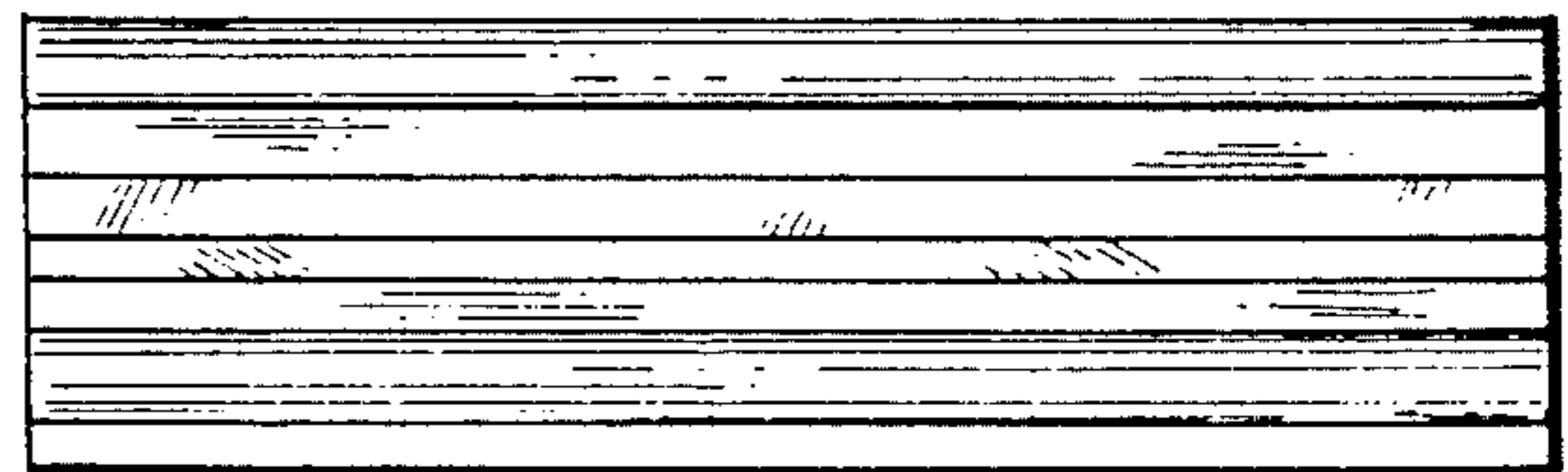


FIG. 7

