

[54] **FOOD PROCESSOR**

3,892,365	7/1975	Verdun	241/92
4,111,372	9/1978	Hicks et al.	241/282.1 X
4,371,118	2/1983	Sontheimer et al.	241/92 X

[75] Inventor: **Olivier H. C. Prevot**, Aubusson, France

Primary Examiner—Bernard Ansher
Assistant Examiner—Linda Titolo
Attorney, Agent, or Firm—Browdy and Neimark

[73] Assignee: **Dito-Sama**, Aubusson, France

[**] Term: **14 Years**

[57] **CLAIM**

[21] Appl. No.: **503,346**

The ornamental design for a food processor, as shown.

[22] Filed: **Jun. 10, 1983**

DESCRIPTION

[52] U.S. Cl. **D7/384; D7/381**

[58] Field of Search **D7/381-386, D7/376-379, 412, 368; 241/92, 282.1, 282.2**

FIG. 1 is a front elevational view of a food processor, showing my new design;
FIG. 2 is a rear elevational view thereof;
FIG. 3 is a top plan view thereof;
FIG. 4 is a bottom plan view thereof;
FIG. 5 is a left side elevational view thereof;
FIG. 6 is a right side elevational view thereof; and
FIG. 7 is a top front right side perspective view thereof.

[56] **References Cited**

U.S. PATENT DOCUMENTS

- D. 180,304 5/1957 Van Duyn D7/383
- D. 254,161 2/1980 Verdun 241/282.1 X

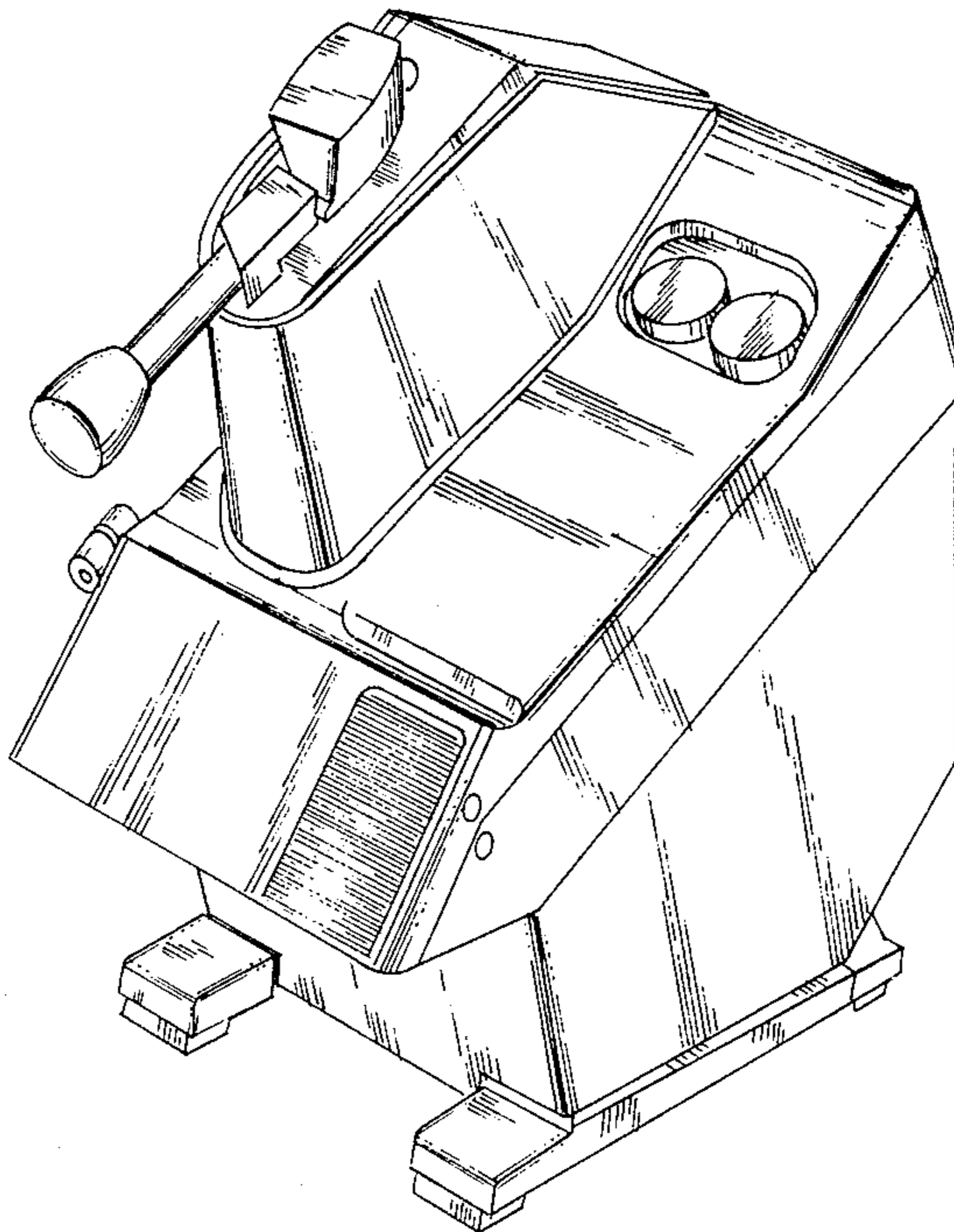


Fig. 1

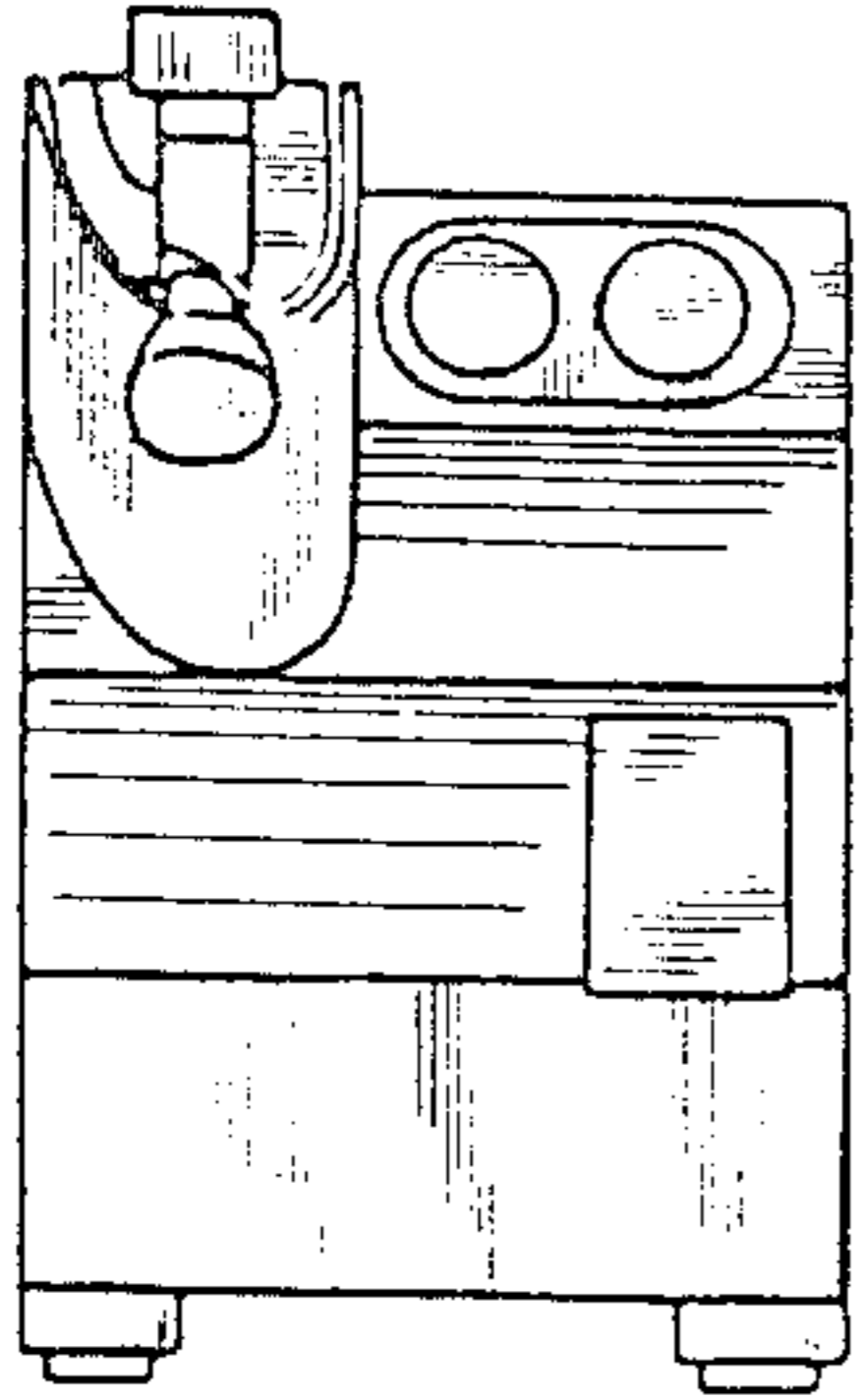


Fig 3

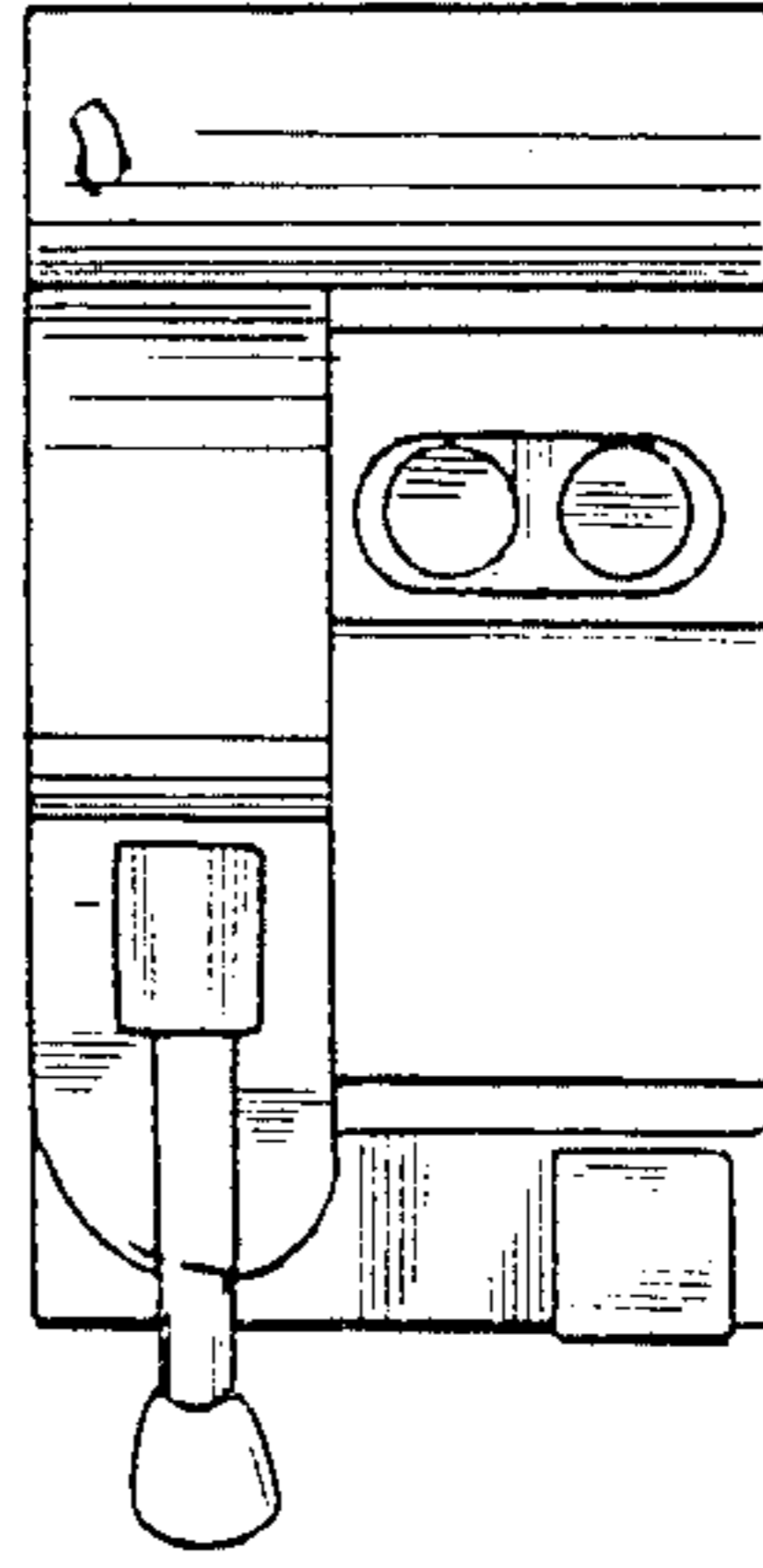


Fig. 2

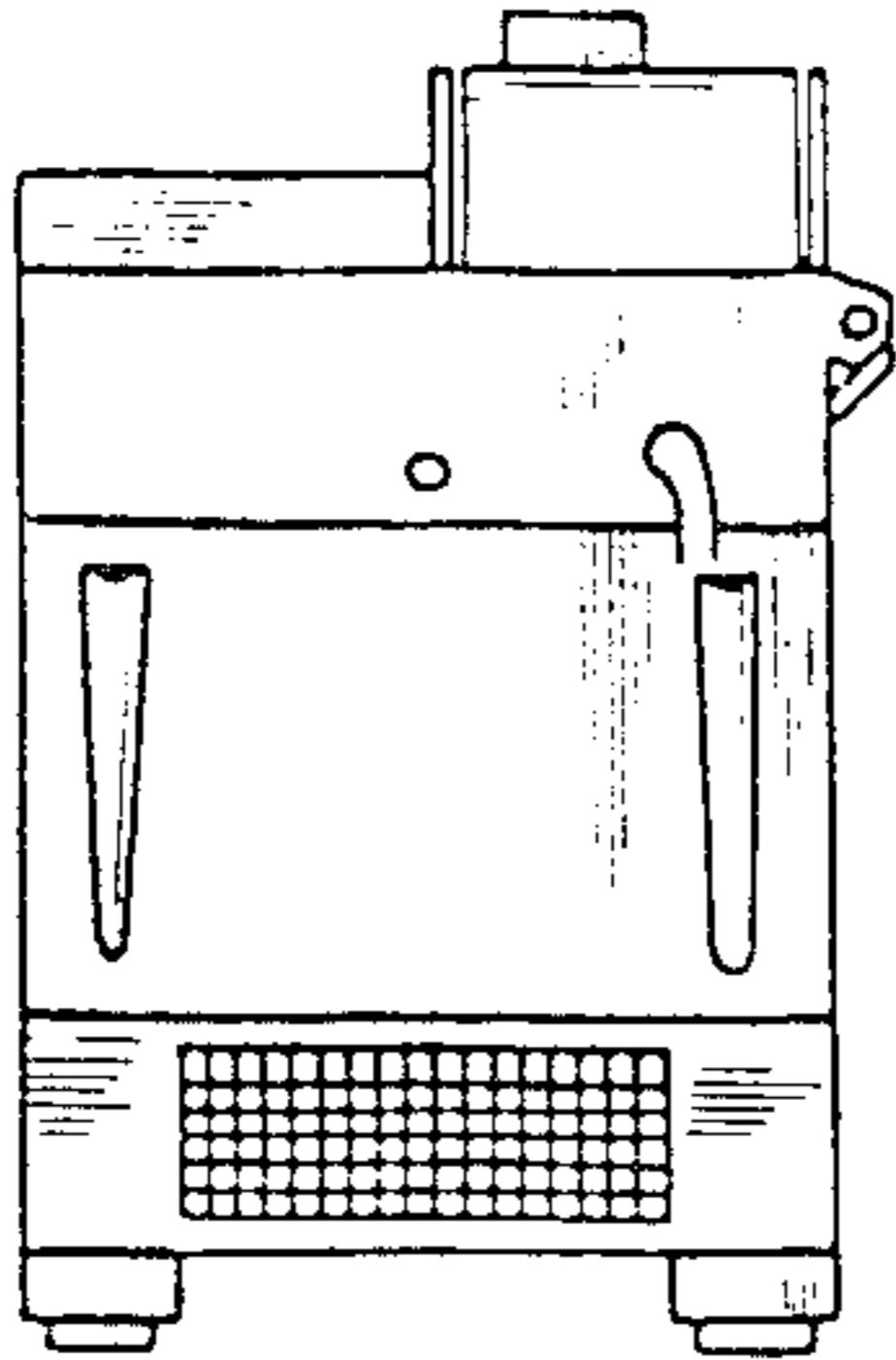


Fig. 4

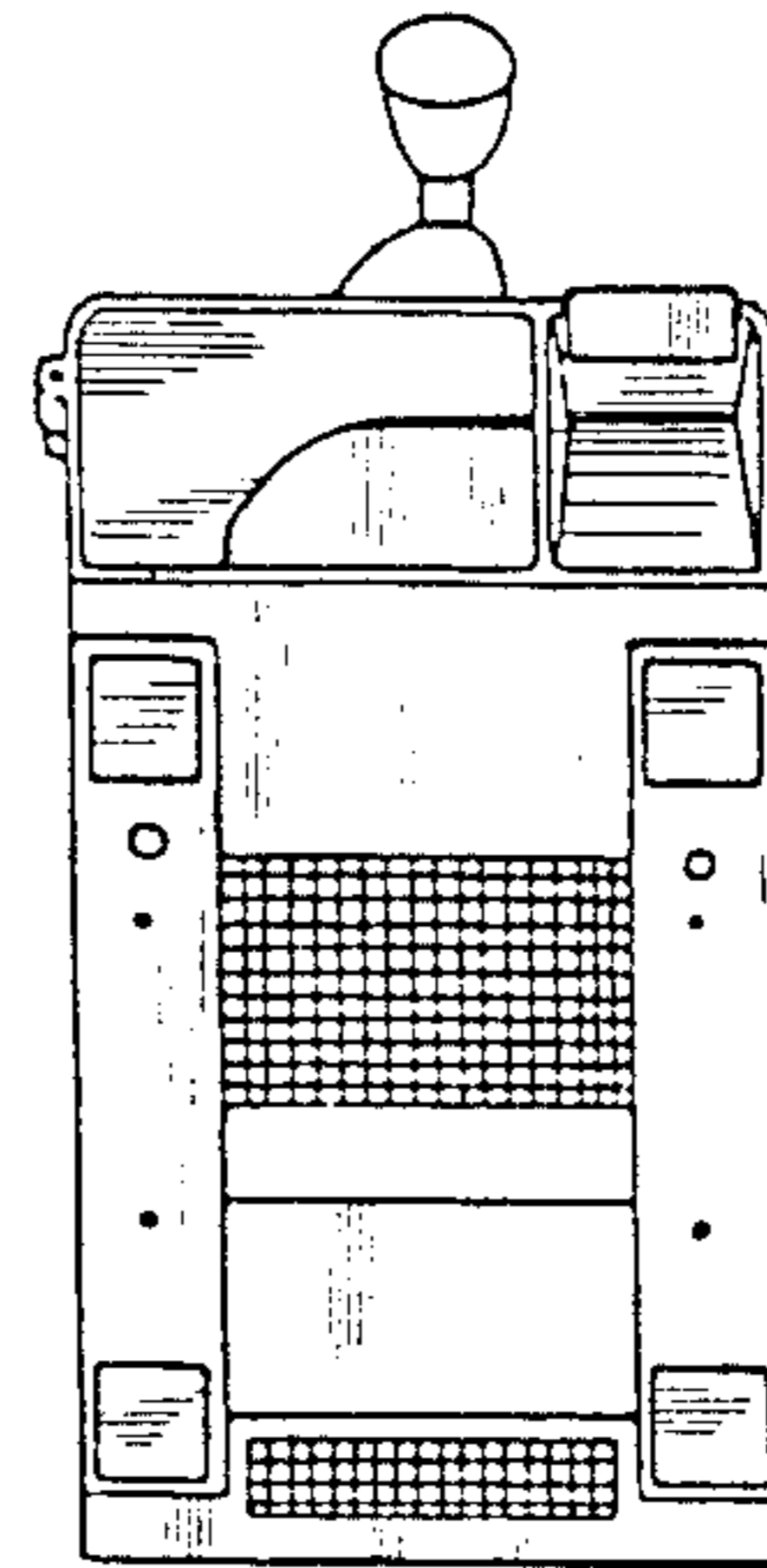


Fig. 5

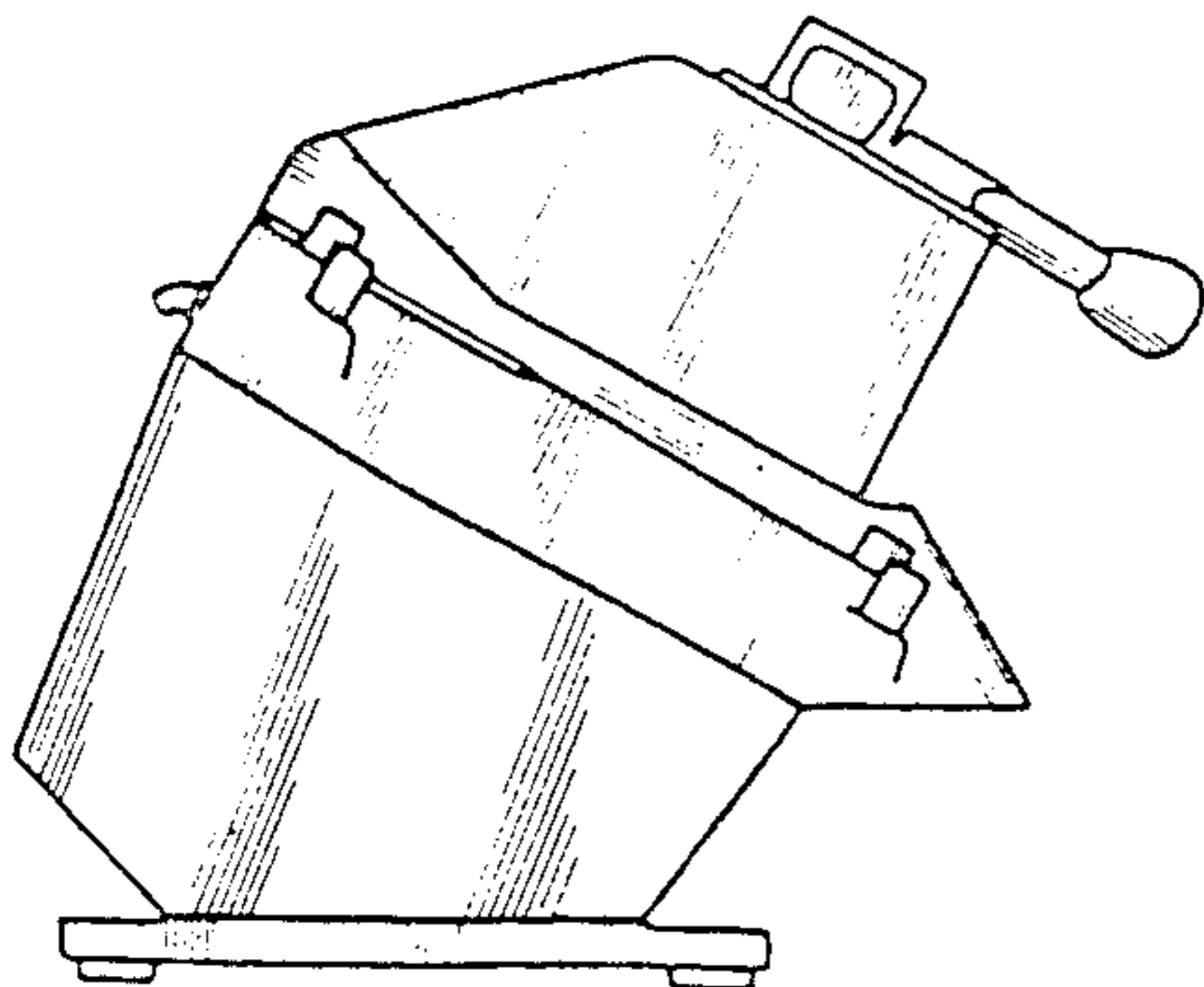
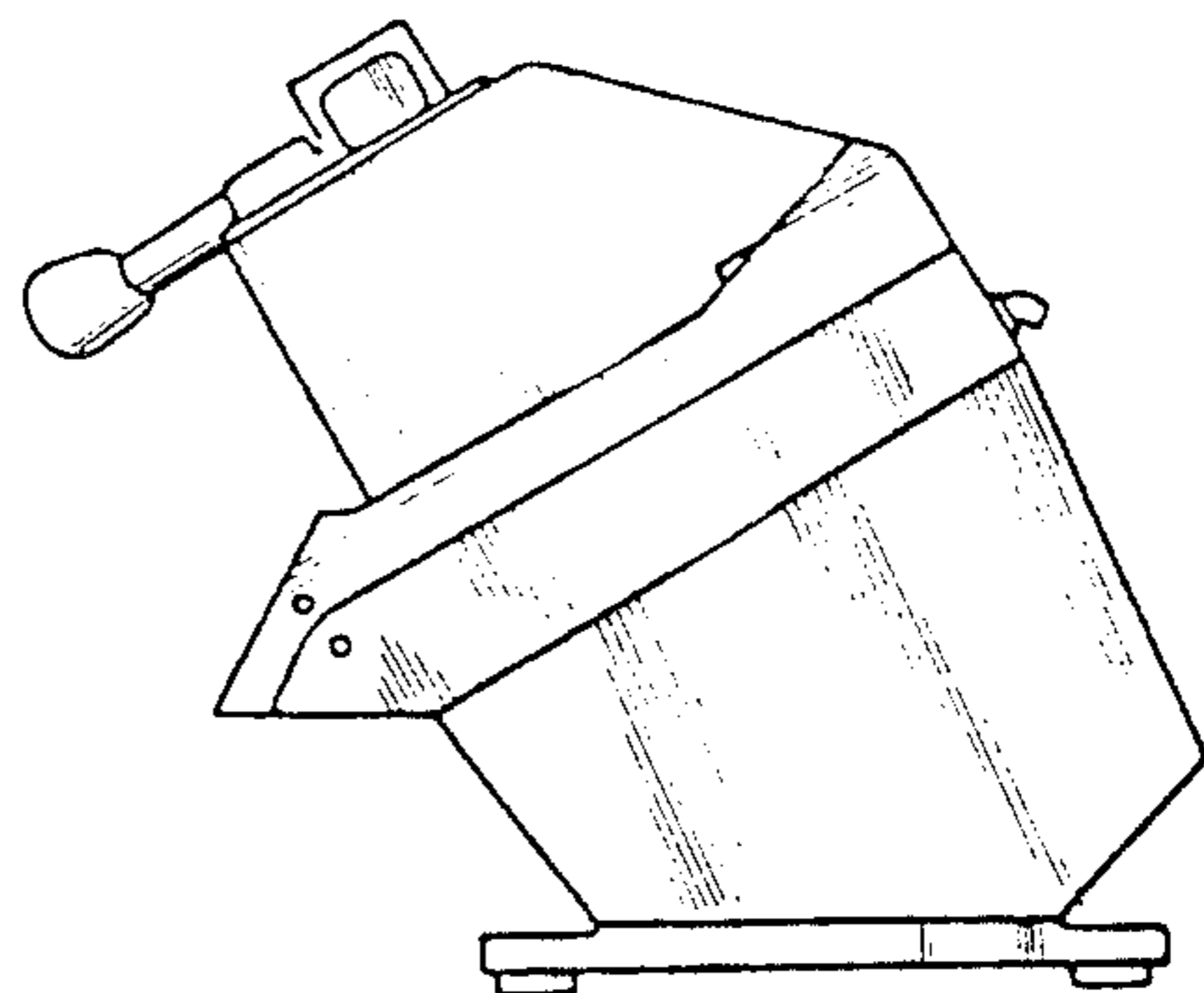


Fig. 6



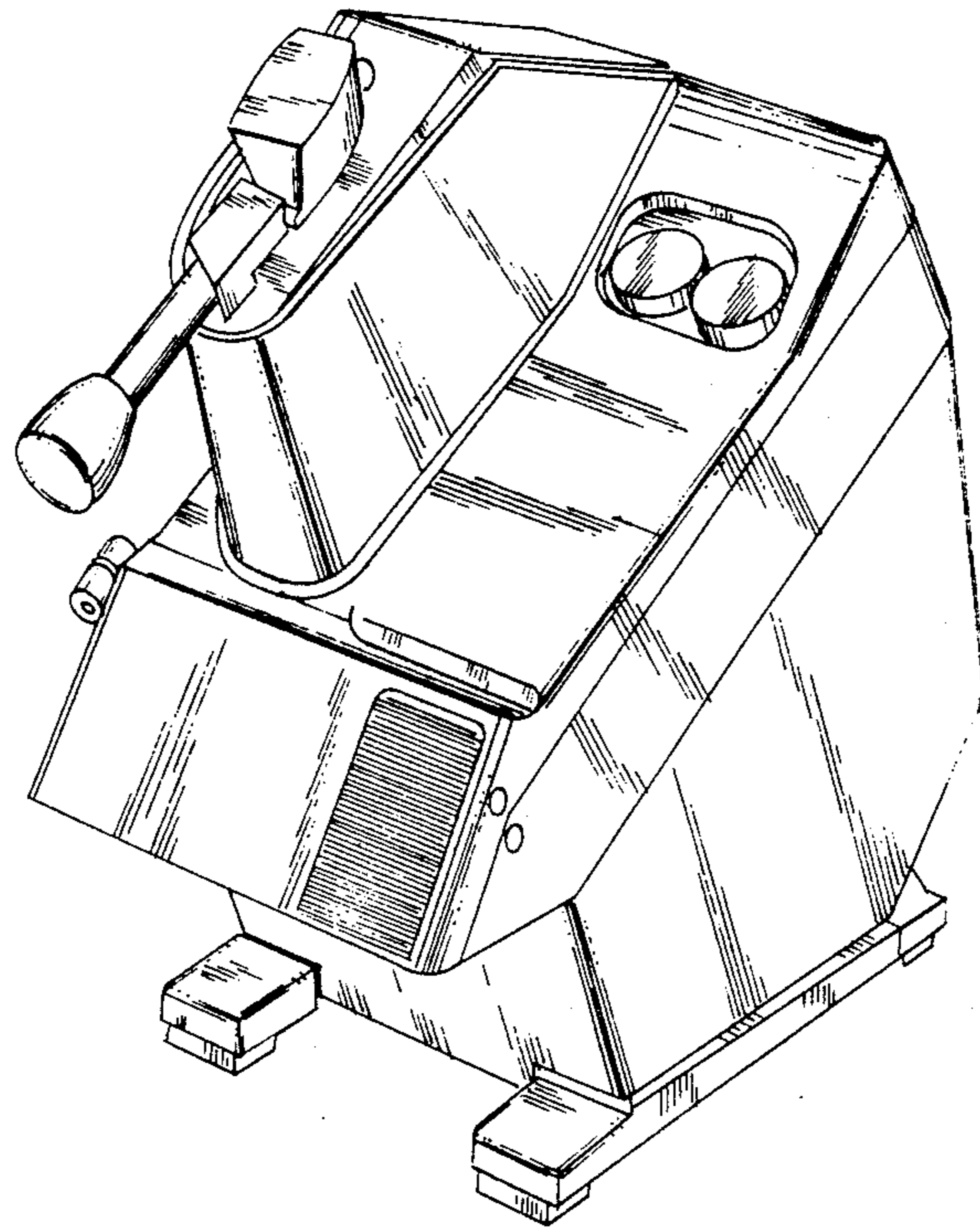


FIG. 7