

[54] POULTRY SPREADER TOOL

[76] Inventor: **Jacobus E. Hazenbroek**, Burg de Zeeuwstraat 52, Numansdorp, Netherlands

[**] Term: **14 Years**

[21] Appl. No.: **513,084**

[22] Filed: **Jul. 12, 1983**

[52] U.S. Cl. **D7/368**

[58] Field of Search D7/368, 369, 381, 385, D7/387; D8/373, 380, 370; 17/11, 45, 52; 248/303, 304, 305, 339

[56] **References Cited**

U.S. PATENT DOCUMENTS

D. 116,867	9/1939	Strand	D8/370
D. 256,802	9/1980	Hazenbroek	D7/368
D. 276,209	11/1984	Hazenbroek	D7/368
417,128	12/1889	Wright	248/303
671,900	4/1901	Stanert	17/11
925,993	6/1909	Chapman	17/11
2,941,238	6/1960	Reeves	17/11
3,488,025	1/1970	Rowland	248/339
3,518,718	7/1970	Barefield	17/52

3,624,863	12/1971	Gasbarro	17/11
3,886,635	6/1975	Meyn	17/11
3,958,302	5/1976	Meyn	17/11
4,059,868	11/1977	Meyn	17/11
4,265,001	5/1981	Hathorne	17/11
4,382,314	5/1983	Graham	17/11
4,435,878	3/1984	Tieleman	17/11
4,524,488	6/1985	van den Bogert	17/11

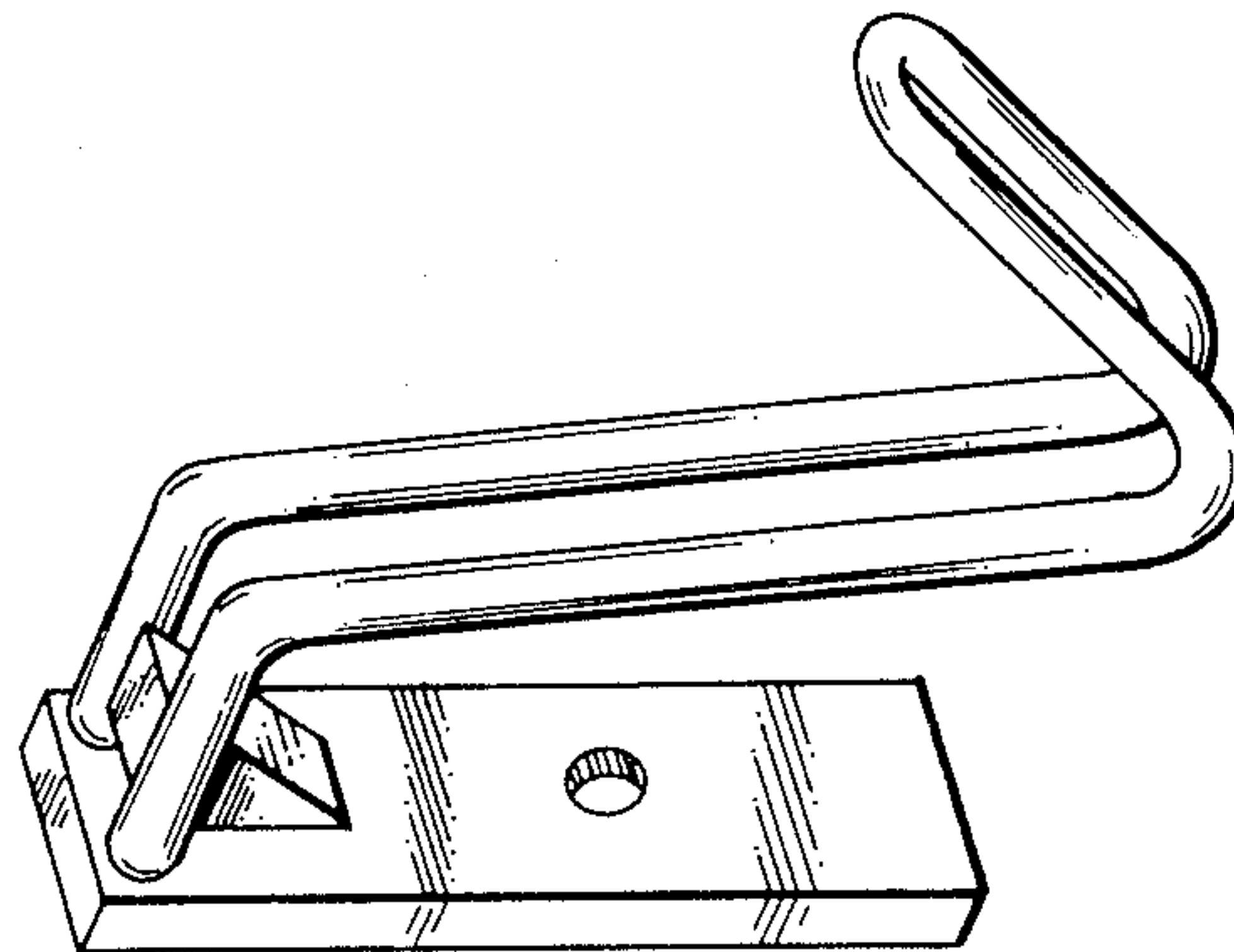
Primary Examiner—Bernard Ansher
Assistant Examiner—Linda Titolo
Attorney, Agent, or Firm—Thomas & Kennedy

[57] **CLAIM**

The ornamental design for a poultry spreader tool, substantially as shown and described.

DESCRIPTION

FIG. 1 is a left side elevational view of a poultry spreader tool showing my new design, the right side being a mirror image thereof; FIG. 2 is front elevational view thereof; FIG. 3 is a rear elevational view thereof; FIG. 4 is a top plan view thereof; FIG. 5 is a bottom plan view thereof; and FIG. 6 is a perspective view thereof.



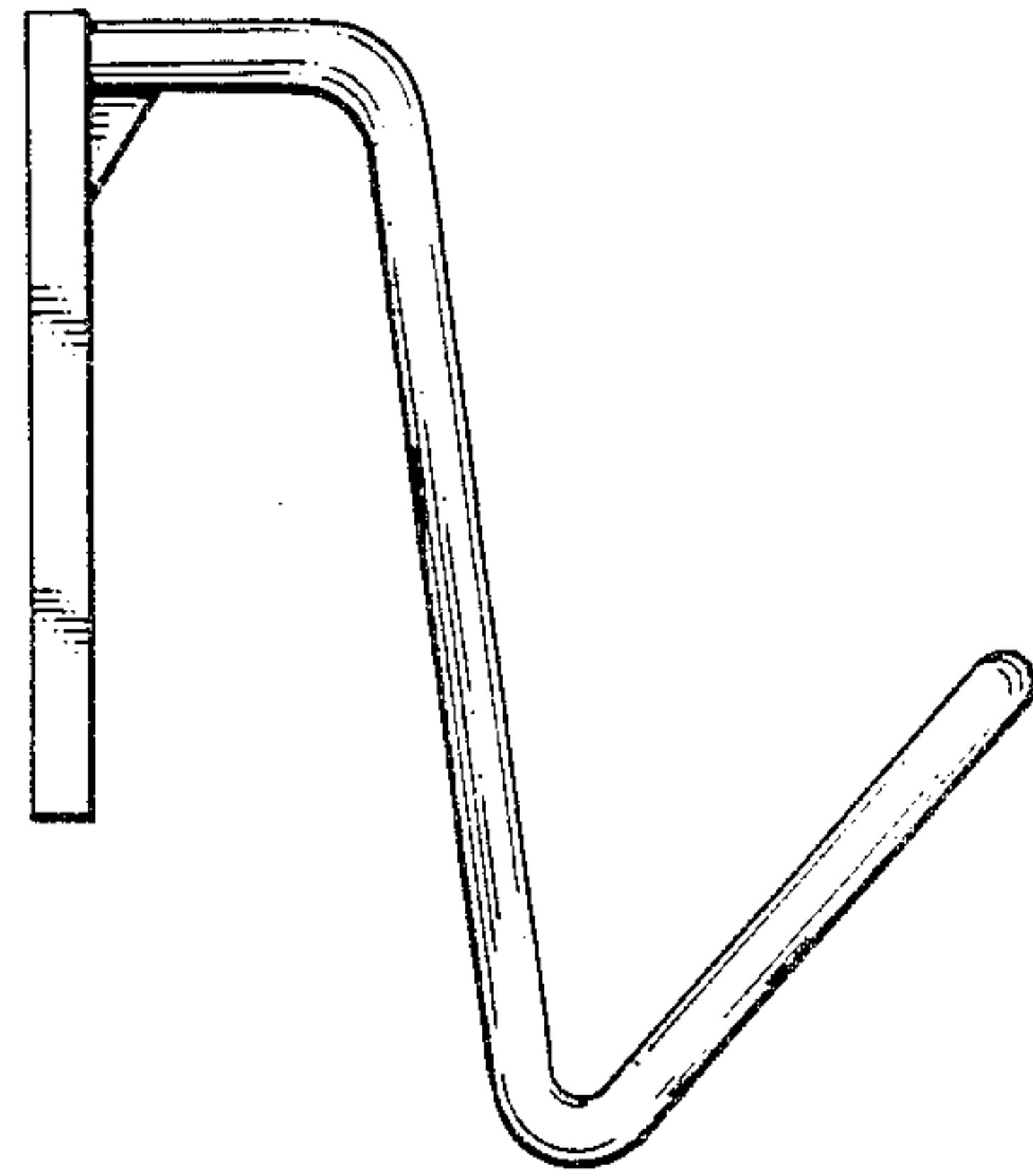


FIG. 1

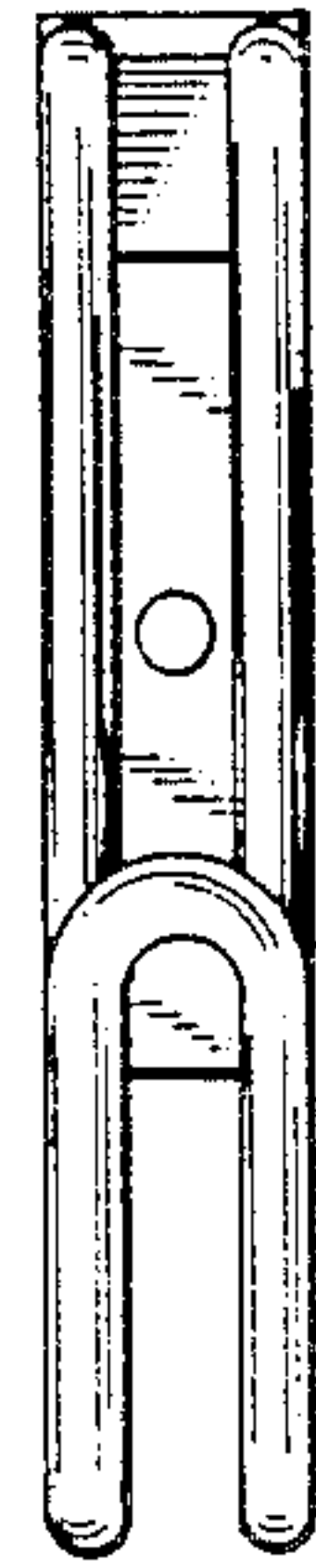


FIG. 2



FIG. 3



FIG. 4

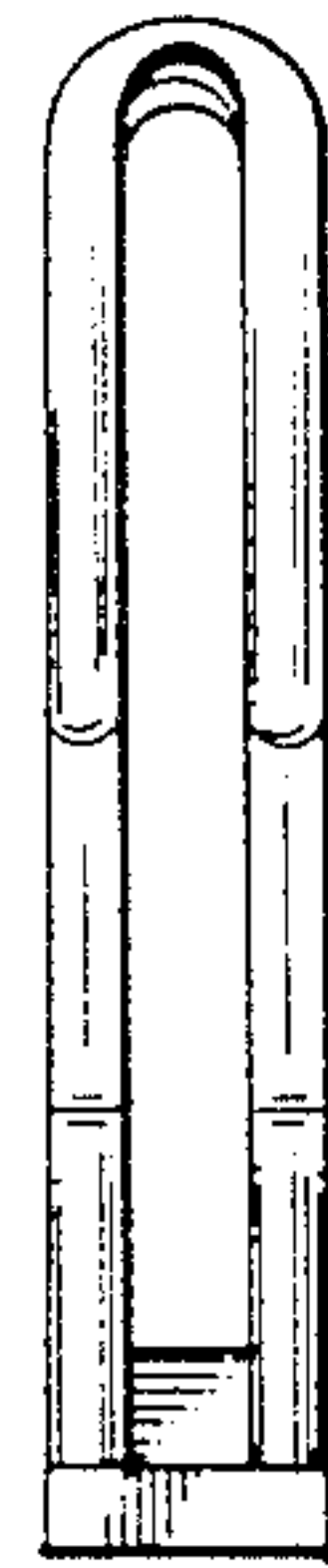


FIG. 5

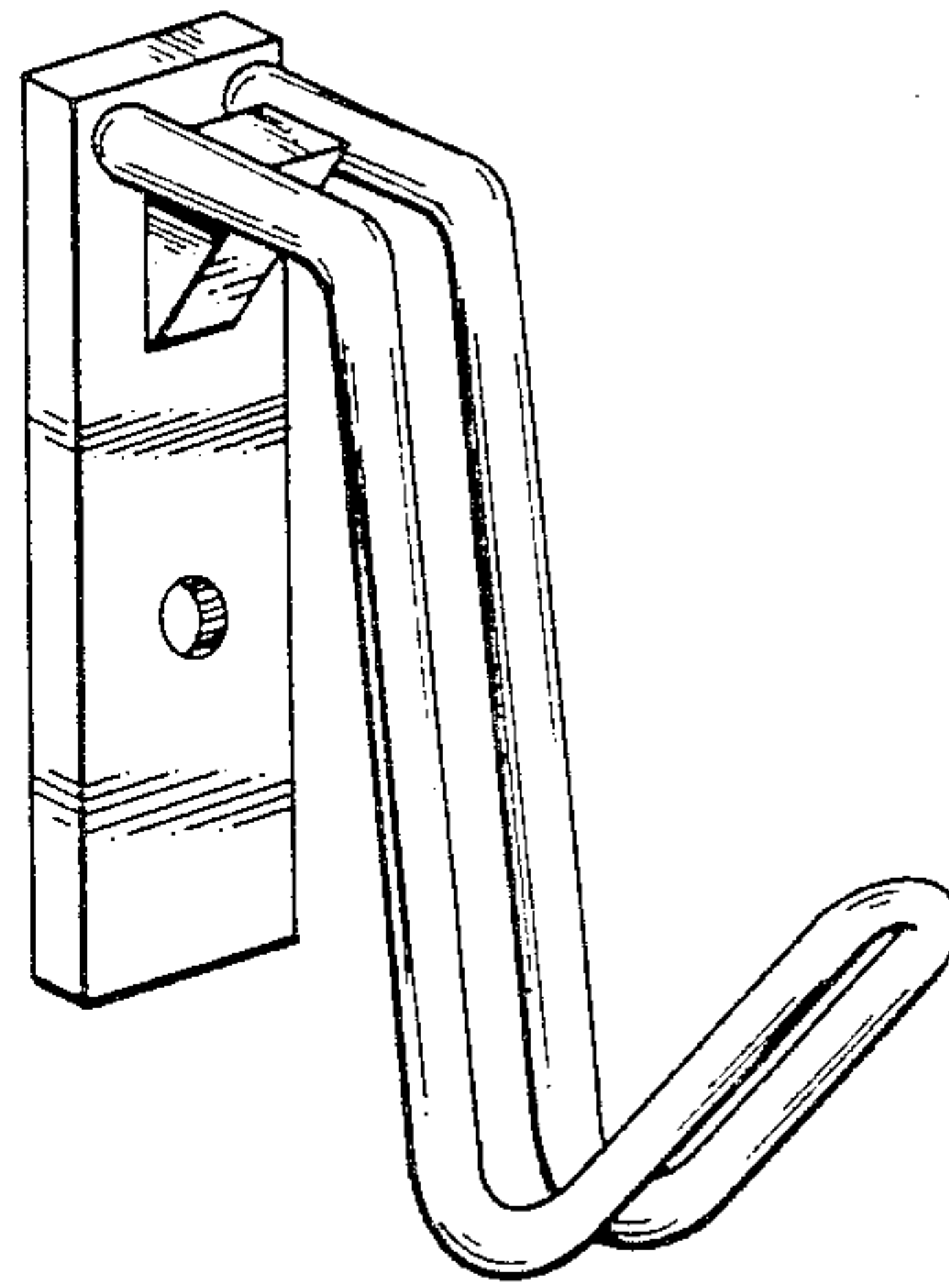


FIG. 6