

[54] **GOBLET OR SIMILAR ARTICLE**

[76] Inventor: **Jean-Jacques Durand**, LaButte, 62510 Arques, France

[\*\*] Term: **14 Years**

[21] Appl. No.: **547,730**

[22] Filed: **Nov. 1, 1983**

[52] U.S. Cl. .... **D7/13; D7/11; D7/14**

[58] Field of Search ..... **D7/6, 11-15**

[56] **References Cited**

**U.S. PATENT DOCUMENTS**

D. 112,856	1/1939	Cunningham	.....	D7/13
D. 244,739	6/1977	Durand	.....	D7/13
D. 259,165	5/1981	Durand	.....	D7/13
D. 270,696	9/1983	Thrush	.....	D7/11

**OTHER PUBLICATIONS**

*The Gift and Art Buyer*, Apr. 1940, p. 45, "The Strand" Goblet by Paul A. Straub & Co., Inc.

*Tableware International*, Aug. 1979, p. 14, top panel #1, "Victoria" Stemware Suite from J. G. Durand.

*Primary Examiner*—Winifred E. Herrmann

*Attorney, Agent, or Firm*—Kimmel, Crowell & Weaver

[57] **CLAIM**

The ornamental design for a goblet or similar article, substantially as shown and described.

**DESCRIPTION**

FIG. 1 is a side elevational view of a goblet or similar article showing my new design in the size and propor-

tions of a champagne flute glass; the sides not shown are similar to the side shown;

FIG. 2 is a side elevational view of a goblet or similar article showing my new design in the size and proportions of a cordial glass; the sides not shown are similar to the side shown;

FIG. 3 is a top plan view of the goblet shown in FIG. 1; FIG. 4 is a bottom plan view of the goblet shown in FIG. 1;

FIG. 5 is a sectional view of the goblet shown in FIG. 1, looking in the direction of the arrows 5—5, as shown in FIG. 1;

FIG. 6 is a sectional view of the goblet shown in FIG. 1; looking in the direction of the arrows 6—6 as shown in FIG. 1;

FIG. 7 is a sectional view of the goblet shown in FIG. 1, looking in the direction of the arrows 7—7, as shown in FIG. 1;

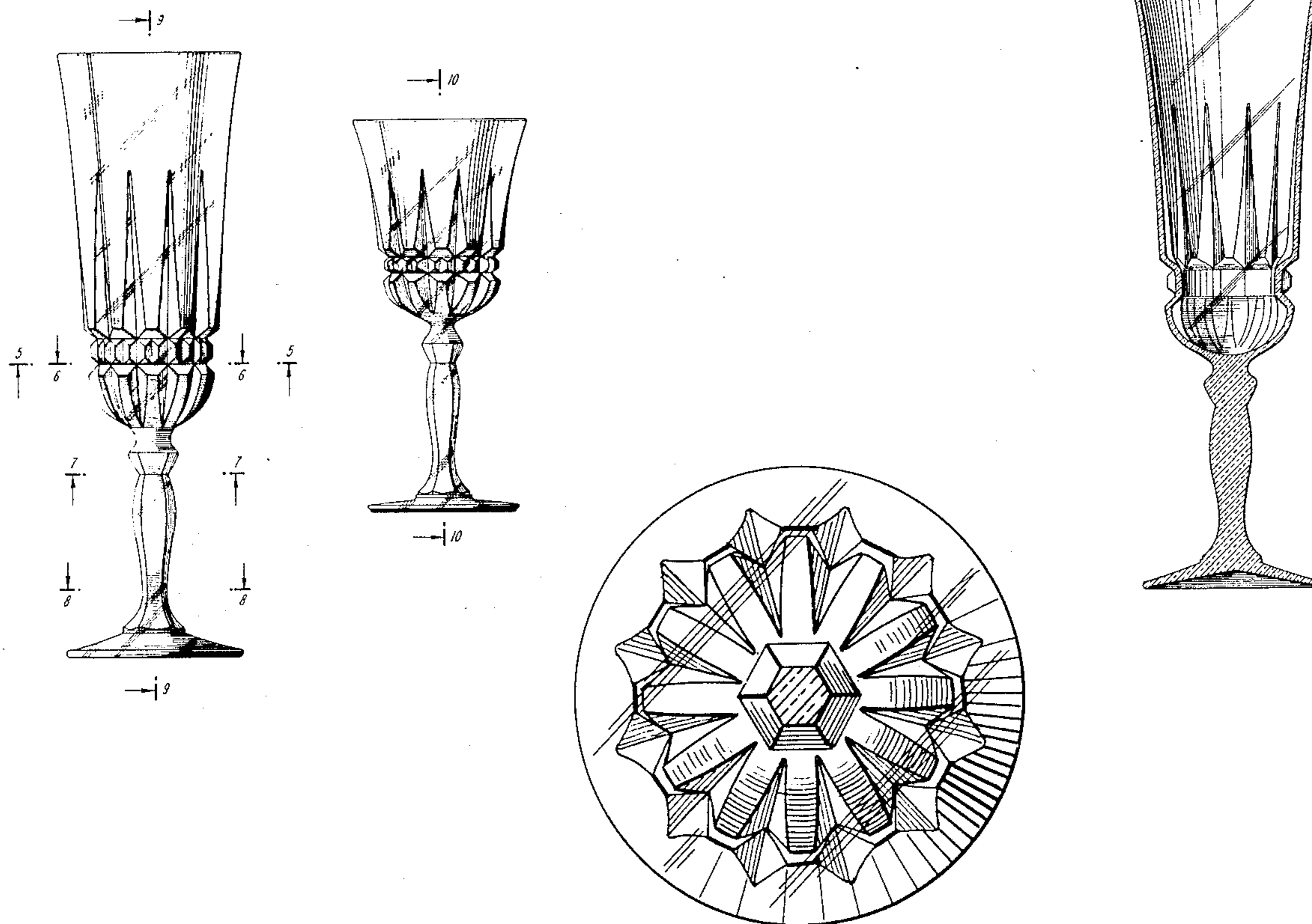
FIG. 8 is a sectional view of the goblet shown in FIG. 1, looking in the direction of the arrows 8—8, as shown in FIG. 1;

FIG. 9 is a sectional view of the goblet shown in FIG. 1, looking in the direction of the arrows 9—9, as shown in FIG. 1;

FIG. 10 is a sectional view of the goblet shown in FIG. 2, looking in the direction of the arrows 10—10, as shown in FIG. 2, with the facets, as would be seen from the interior having been left out for clarity of illustration;

FIG. 11 is a top plan view of the goblet shown in FIG. 2, with the facets, as would be seen from the interior of the glass being left out for clarity of illustration;

FIG. 12 is a bottom plan view of goblet shown in FIG. 2.



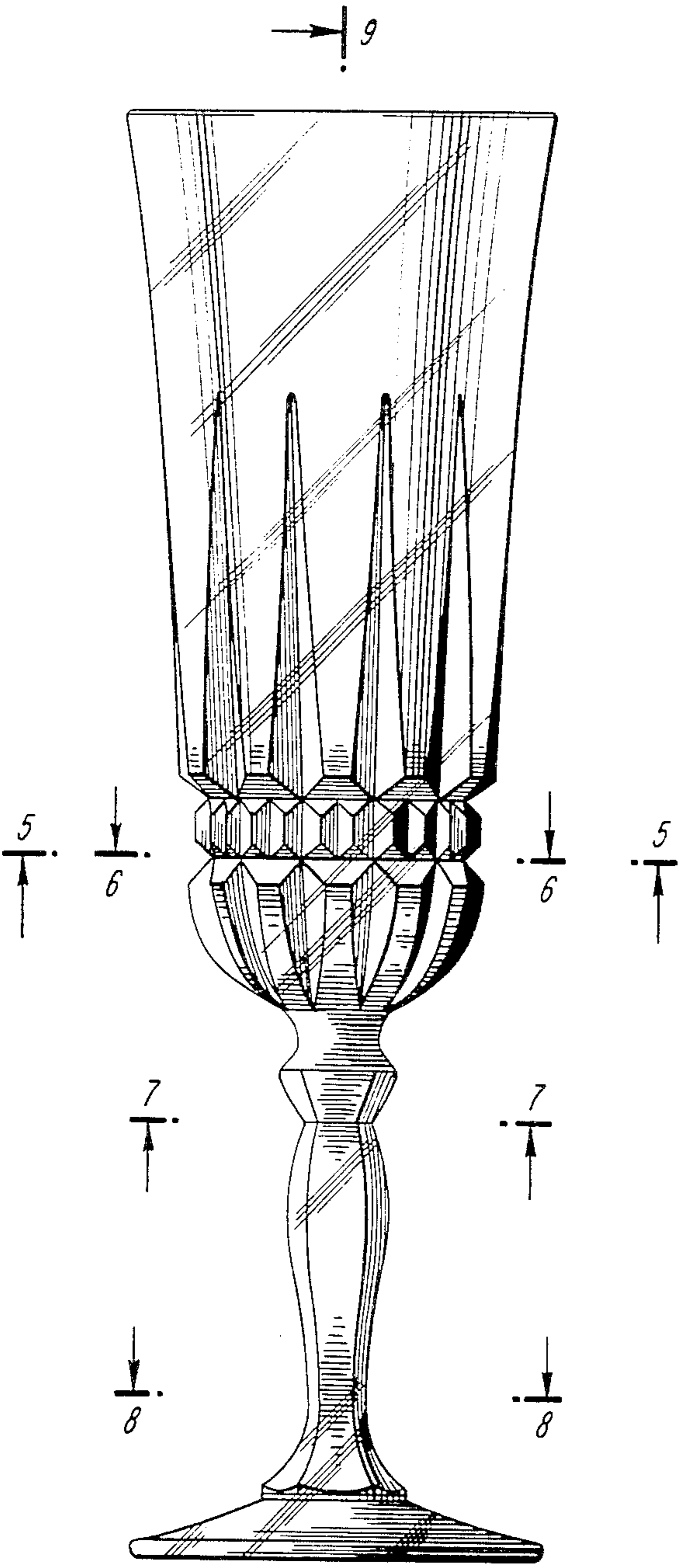


Fig. 1

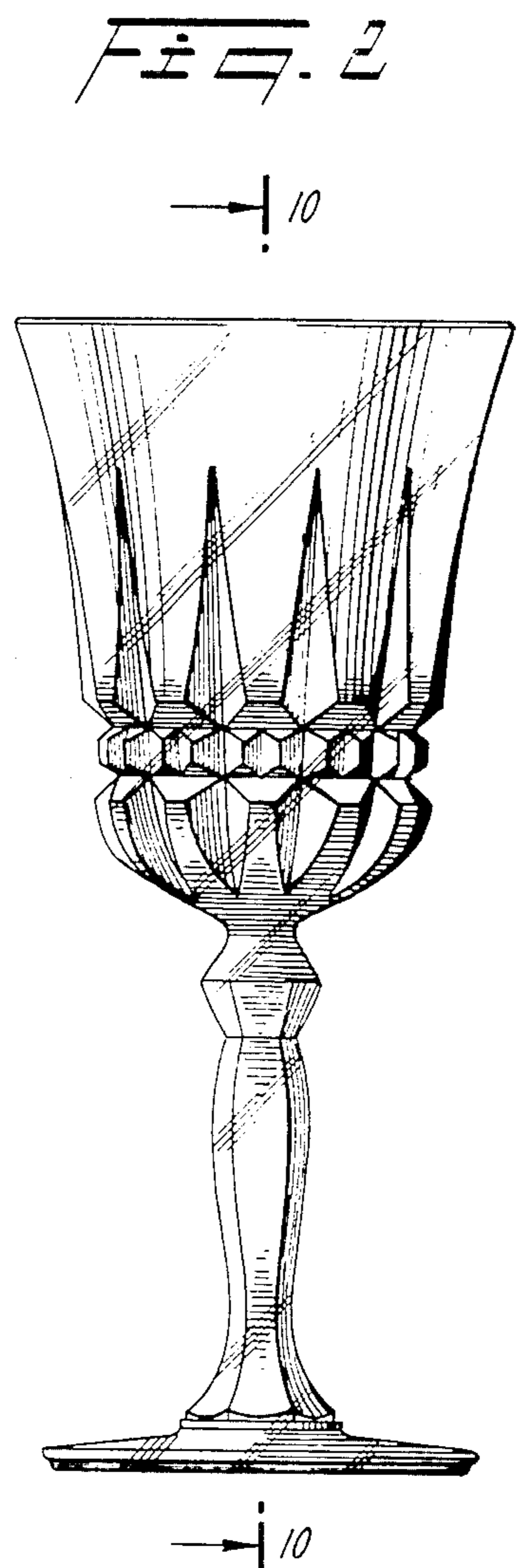


Fig. 2

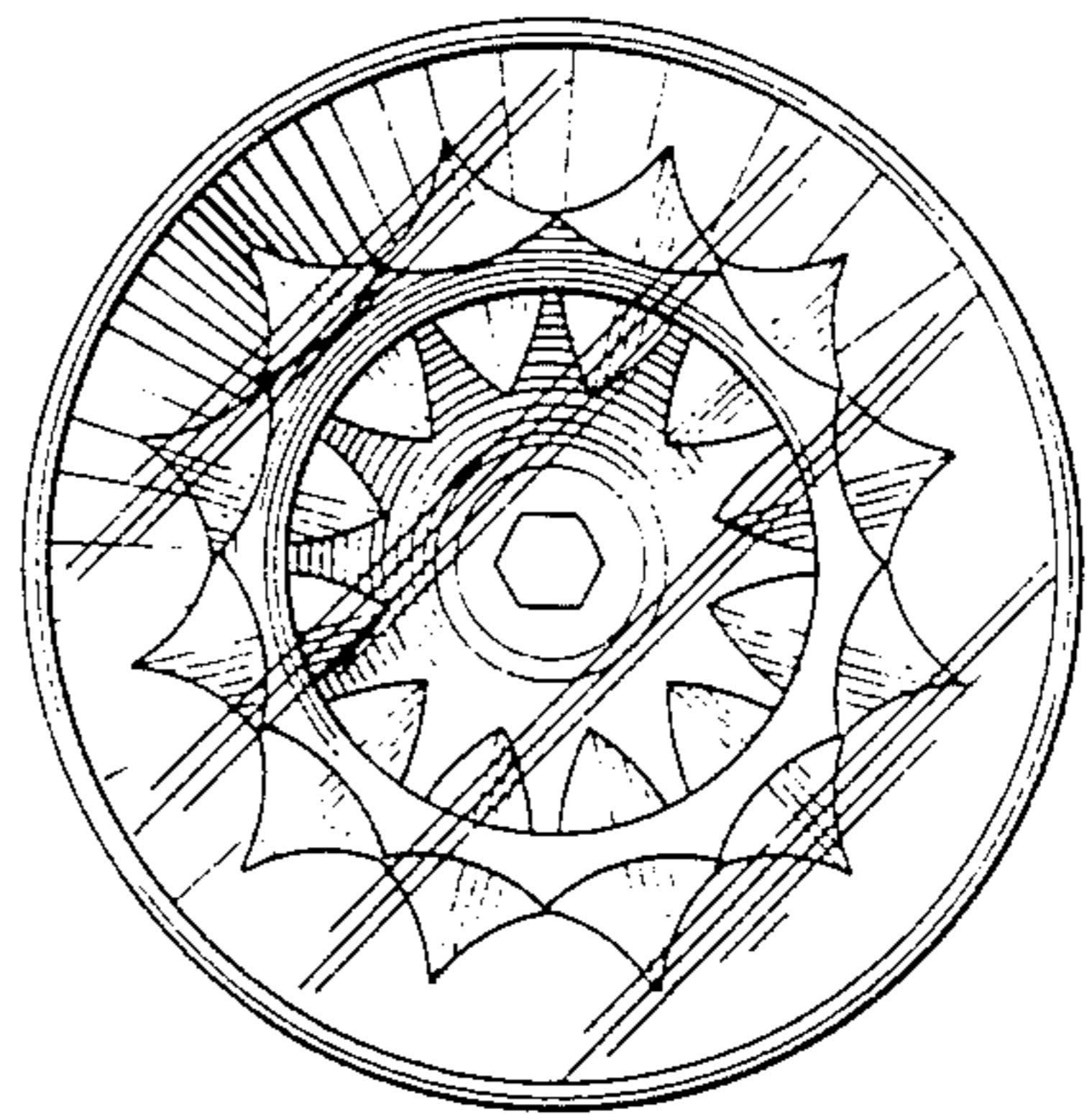


Fig. 3

FIG. 4

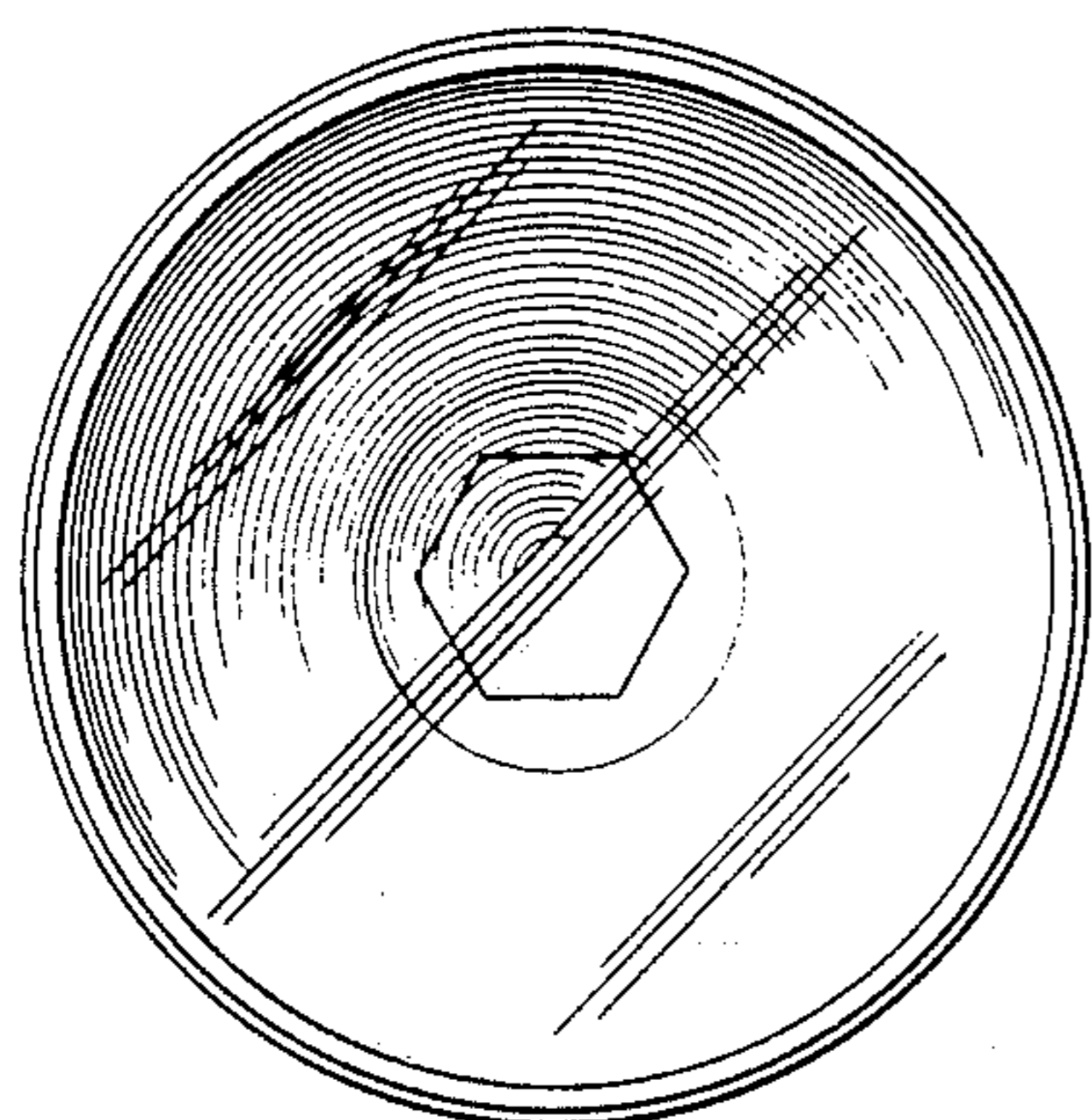


FIG. 5

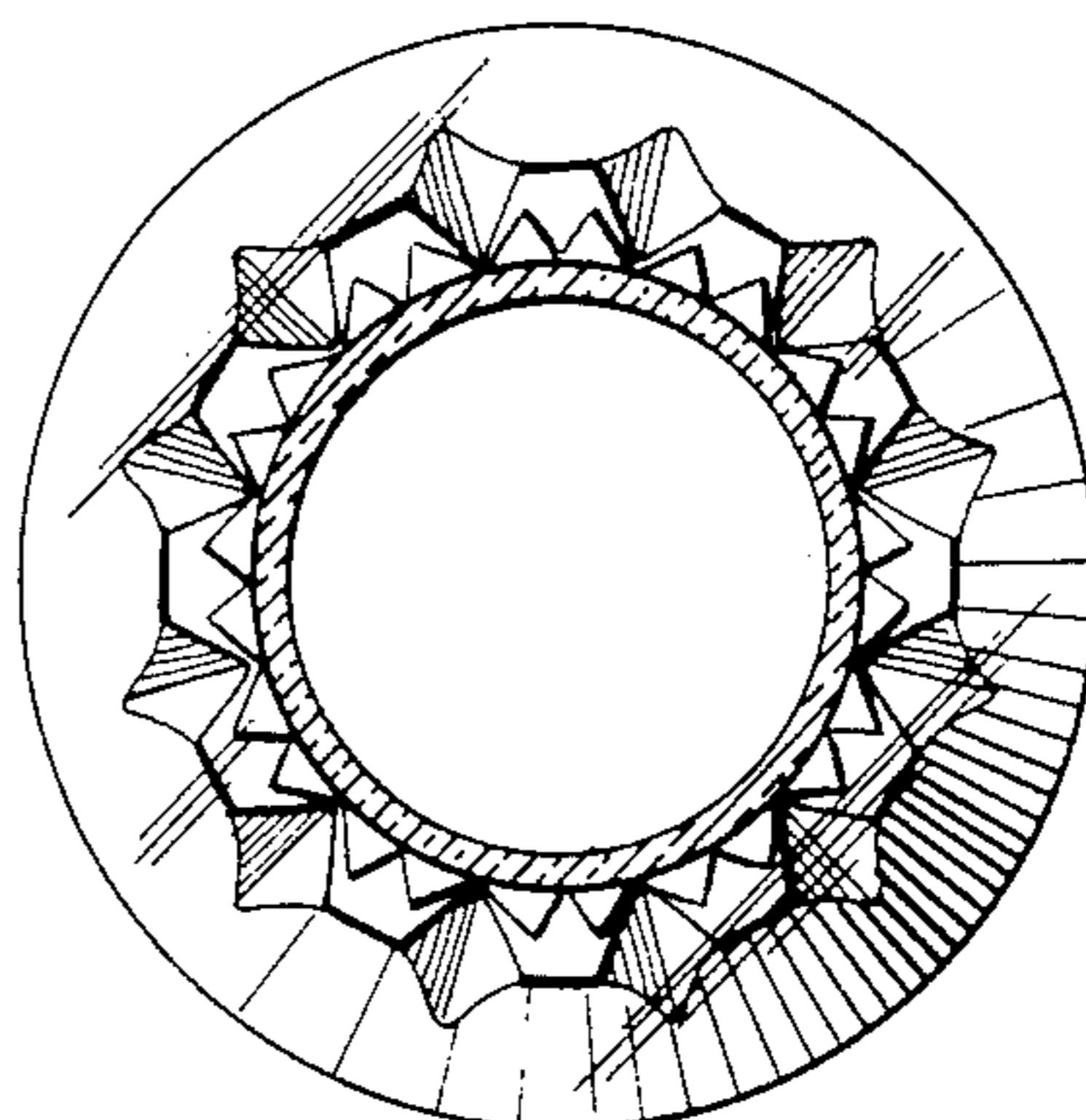


FIG. 6

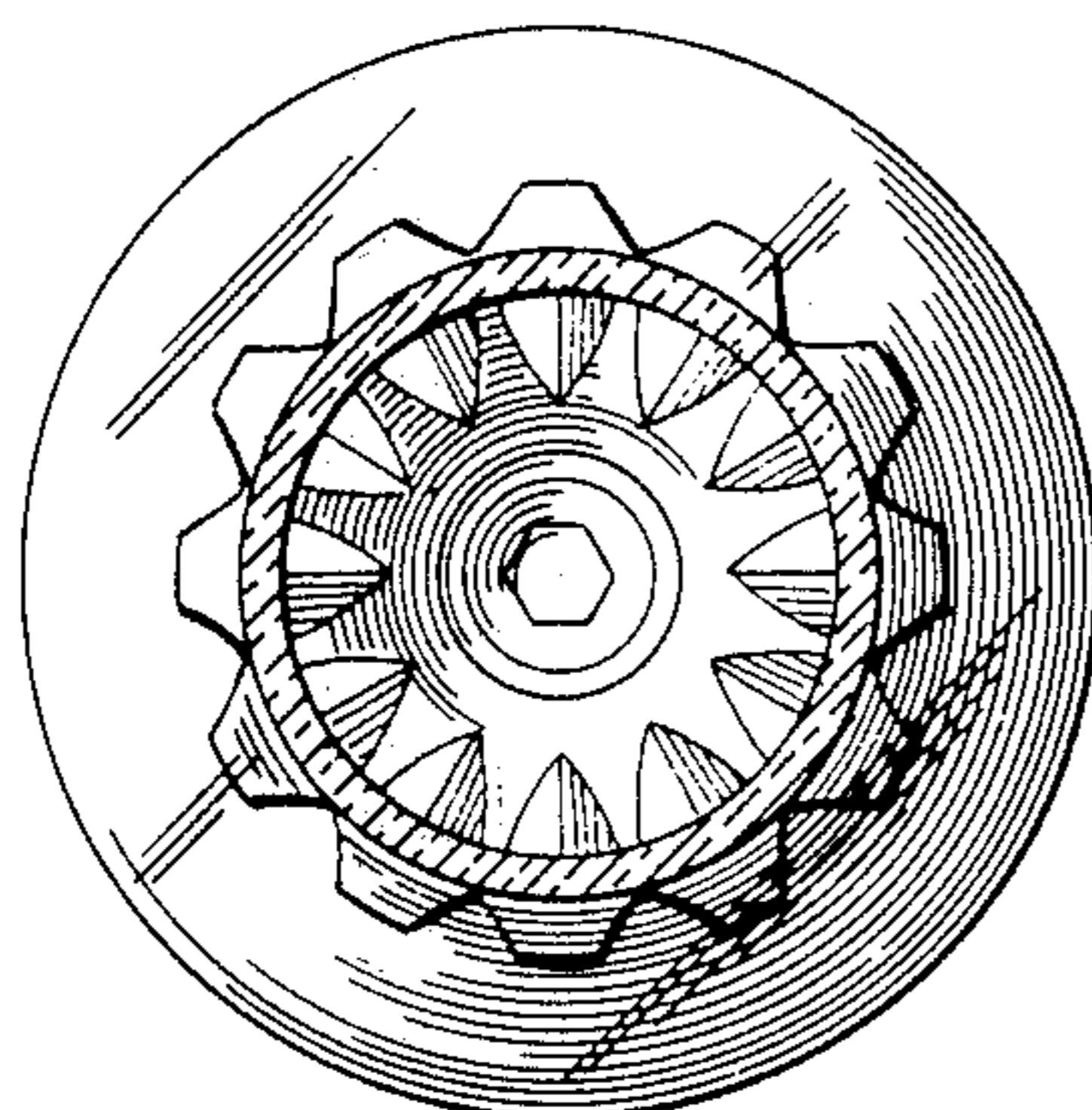


FIG. 7

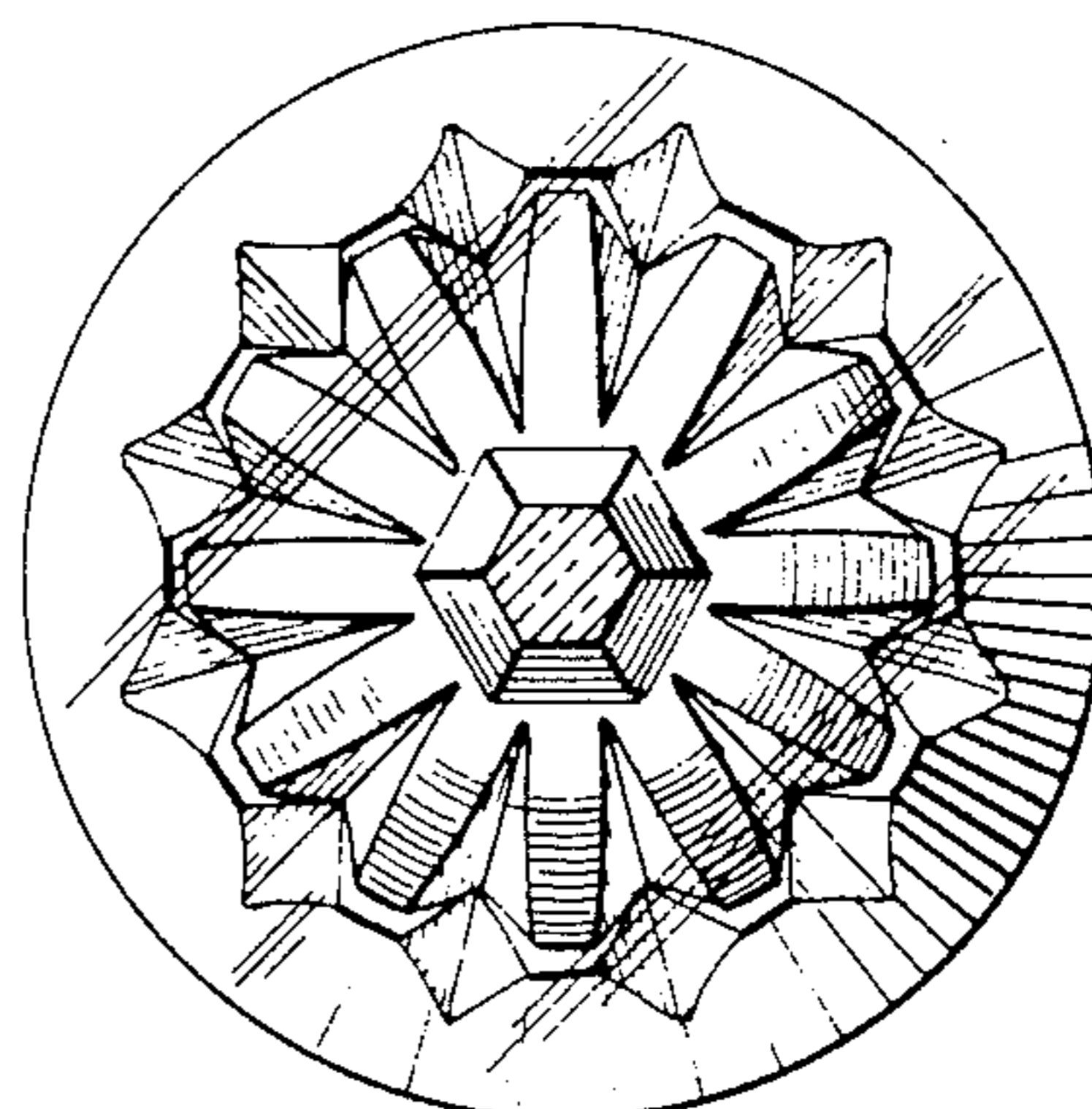
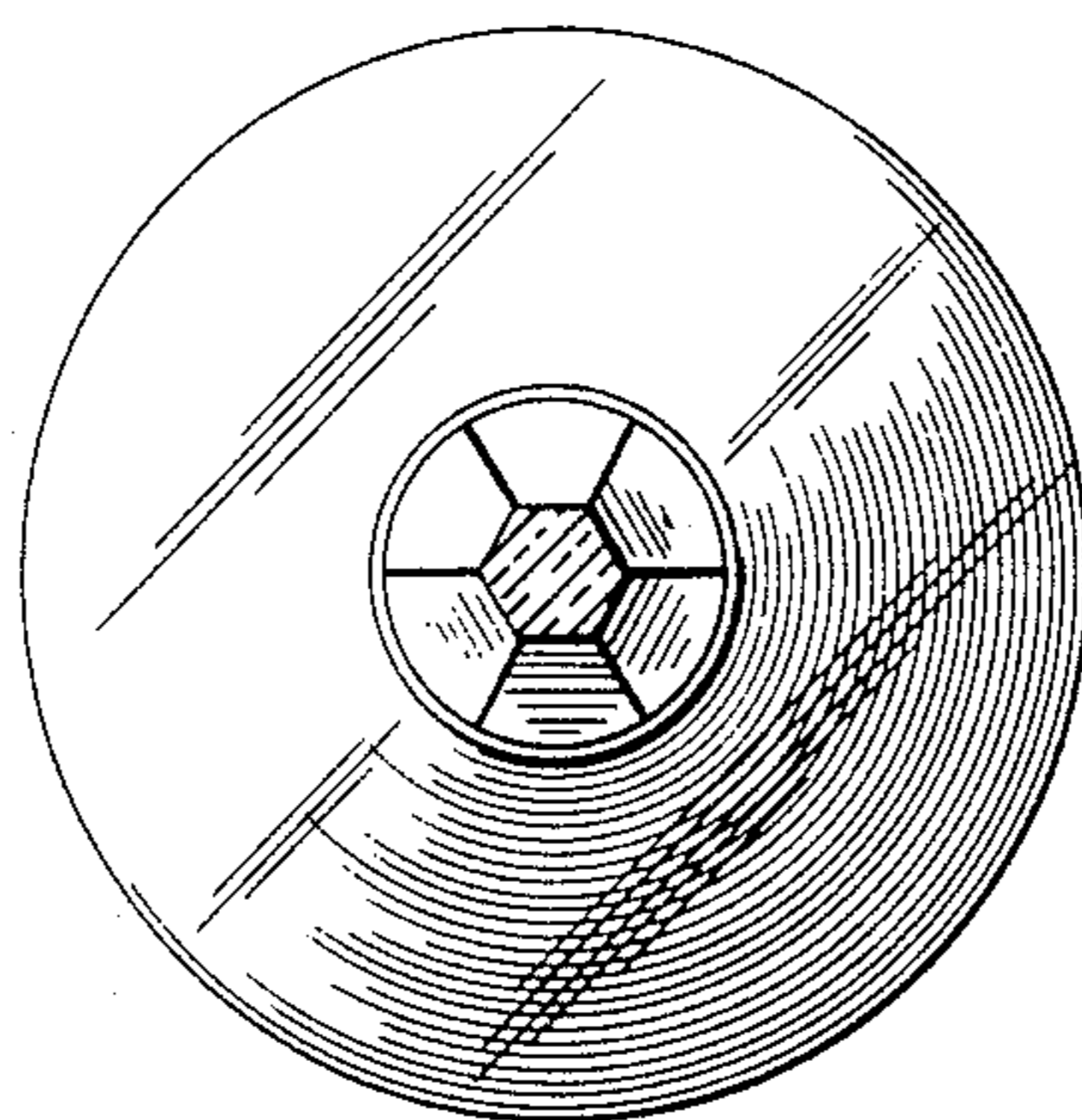
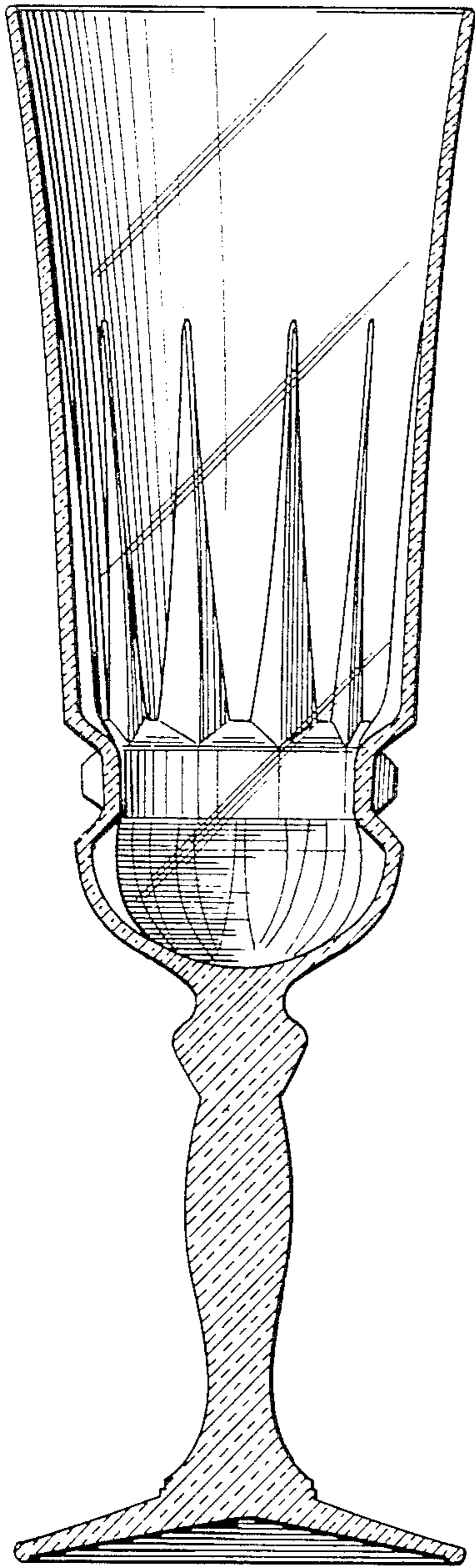


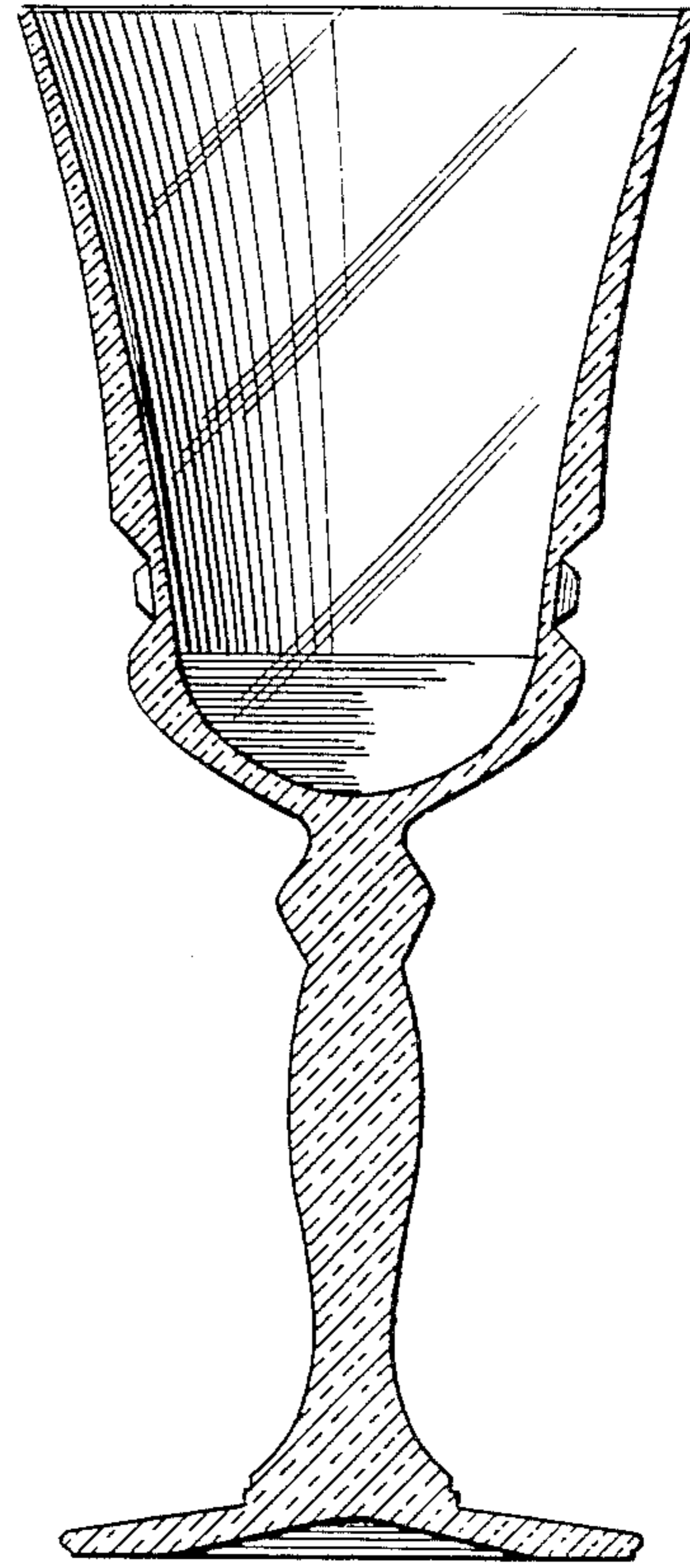
FIG. 8



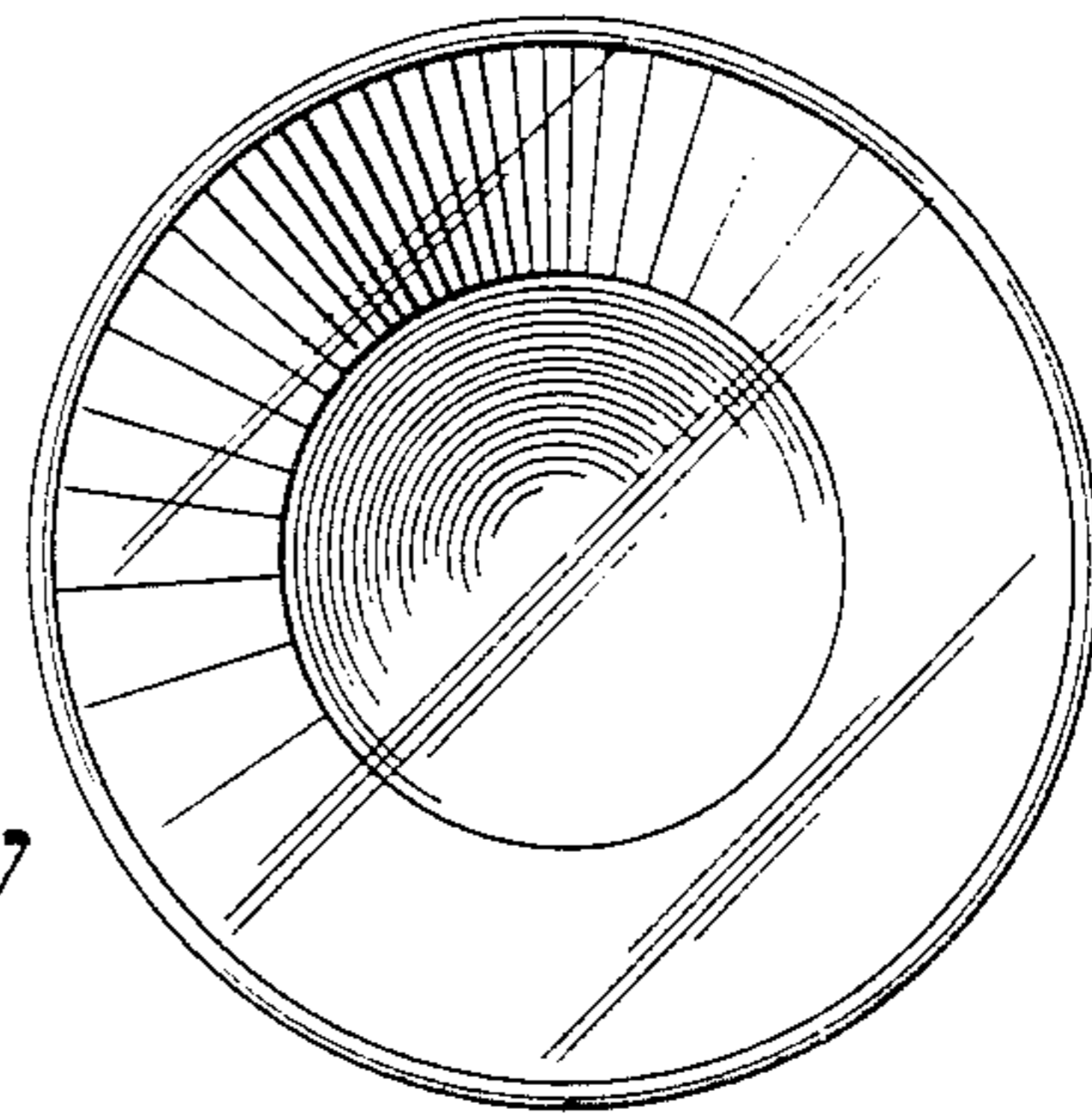
*Fig. 9*



*Fig. 10*



*Fig. 11*



*Fig. 12*

