

[54] COMBINED BEVERAGE TUMBLER AND ITS HOLDER STAND

[75] Inventor: Léo Bosteels, Buggenhout, Belgium

[73] Assignee: IMBOS, Buggenhout, Belgium

[**] Term: 14 Years

[21] Appl. No.: 498,490

[22] Filed: May 26, 1983

[52] U.S. Cl. D7/3; D7/15; D7/70; D11/154

[58] Field of Search D7/9, 10, 7, 3, 70, D7/399, 6, 15; D6/535, 556; D11/144, 146, 153, 154

[56] References Cited

U.S. PATENT DOCUMENTS

- D. 38,248 9/1906 Helmer D7/15
- D. 154,922 8/1949 Haffner D7/399
- D. 248,004 5/1978 Simpson D11/146 X
- D. 259,088 5/1981 Signorile D7/70 X
- D. 265,508 7/1982 Rusteberg D7/70 X

- D. 271,833 12/1983 Okada D7/3 X
- 2,780,081 2/1957 Alexander D7/399 X

OTHER PUBLICATIONS

Arthur Salm, Inc., 1976-77 Catalog, p. 44, #950, bottom left, Walnut Stand for Glass Cruets.

Alco Glassware Co., p. 17, Item #1617, top left "One Half Litre Carafe".

Primary Examiner—Winifred E. Herrmann

Attorney, Agent, or Firm—Laff, Whitesel, Conte & Saret

[57] CLAIM

The ornamental design for a combined beverage tumbler and its holder stand, as shown and described.

DESCRIPTION

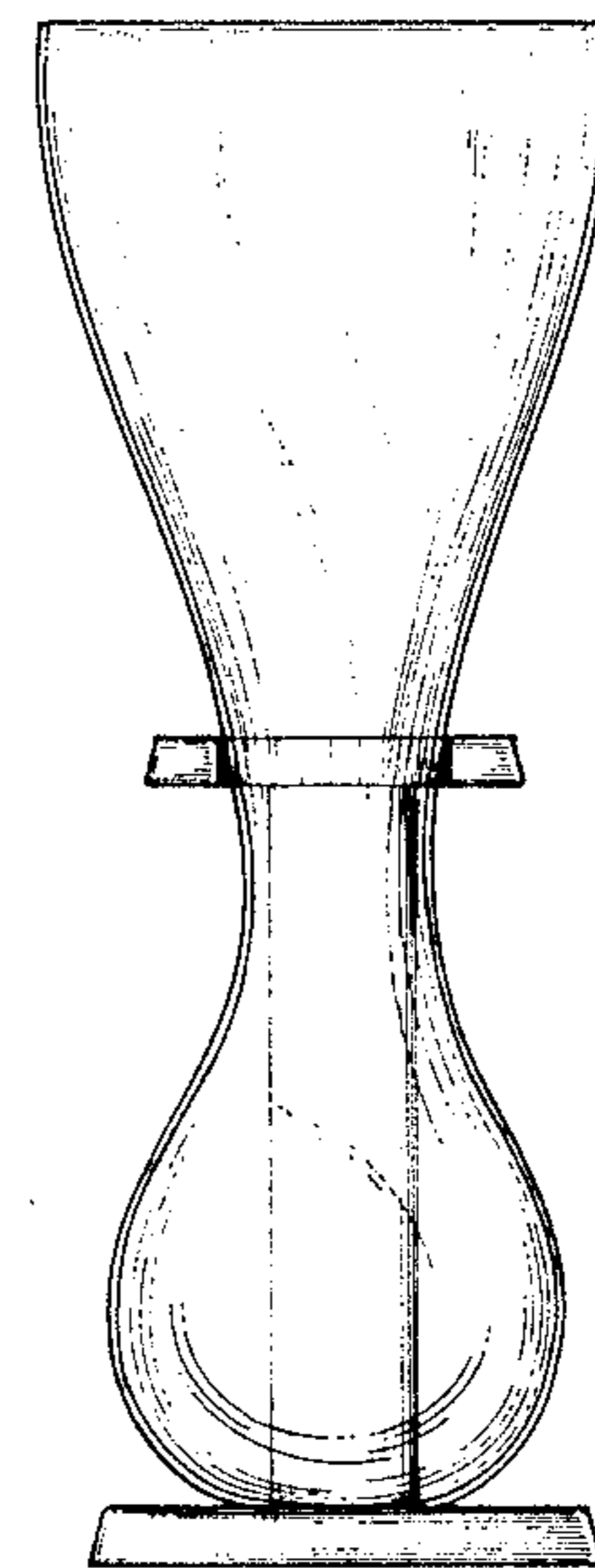
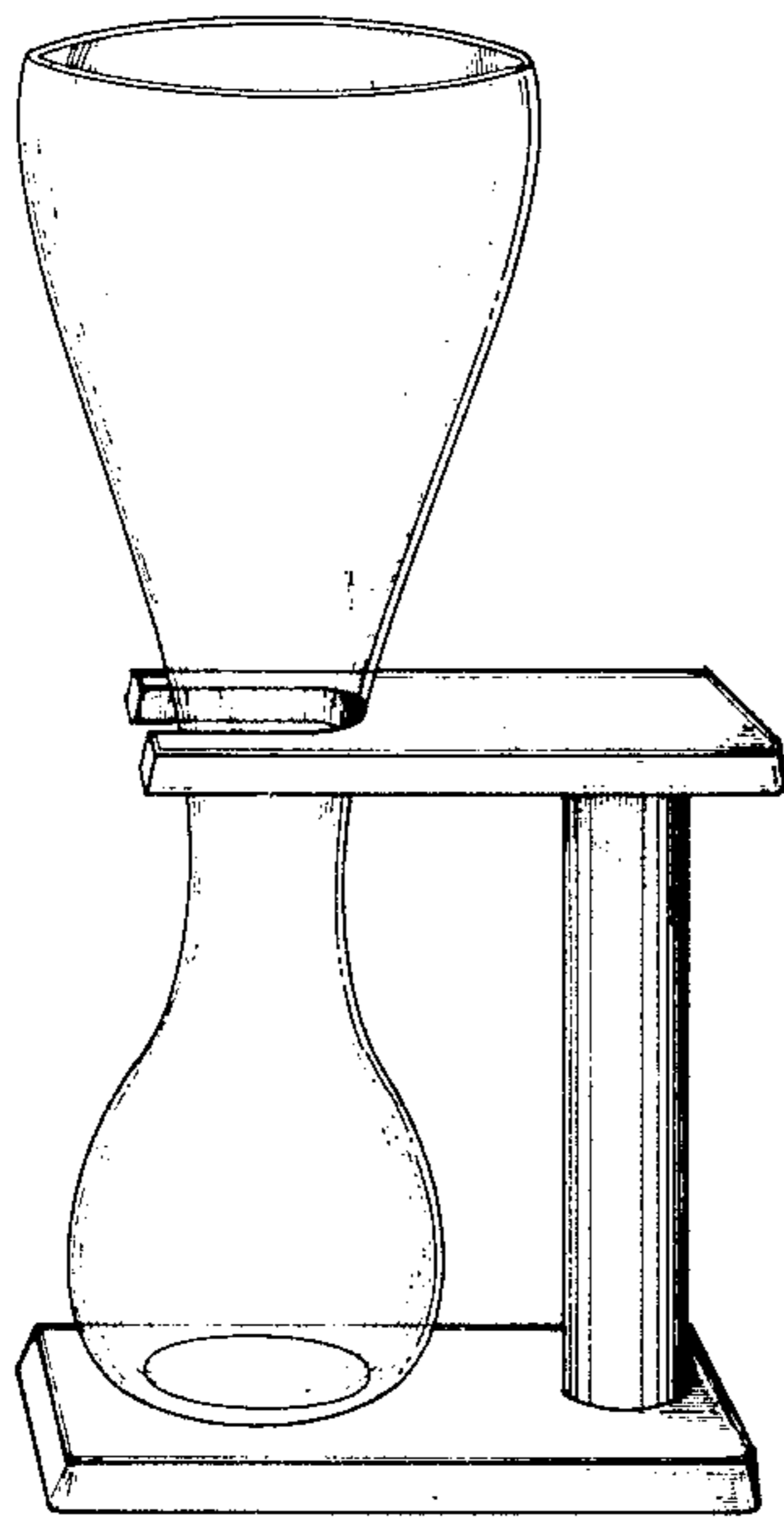
FIG. 1 is a top, front, and side perspective view of a combined beverage tumbler and its holder stand showing my new design;

FIG. 2 is a front elevational view thereof;

FIG. 3 is a top plan view thereof; and

FIG. 4 is a rear elevational view thereof.

The bottom of the design is flat and unornamented.



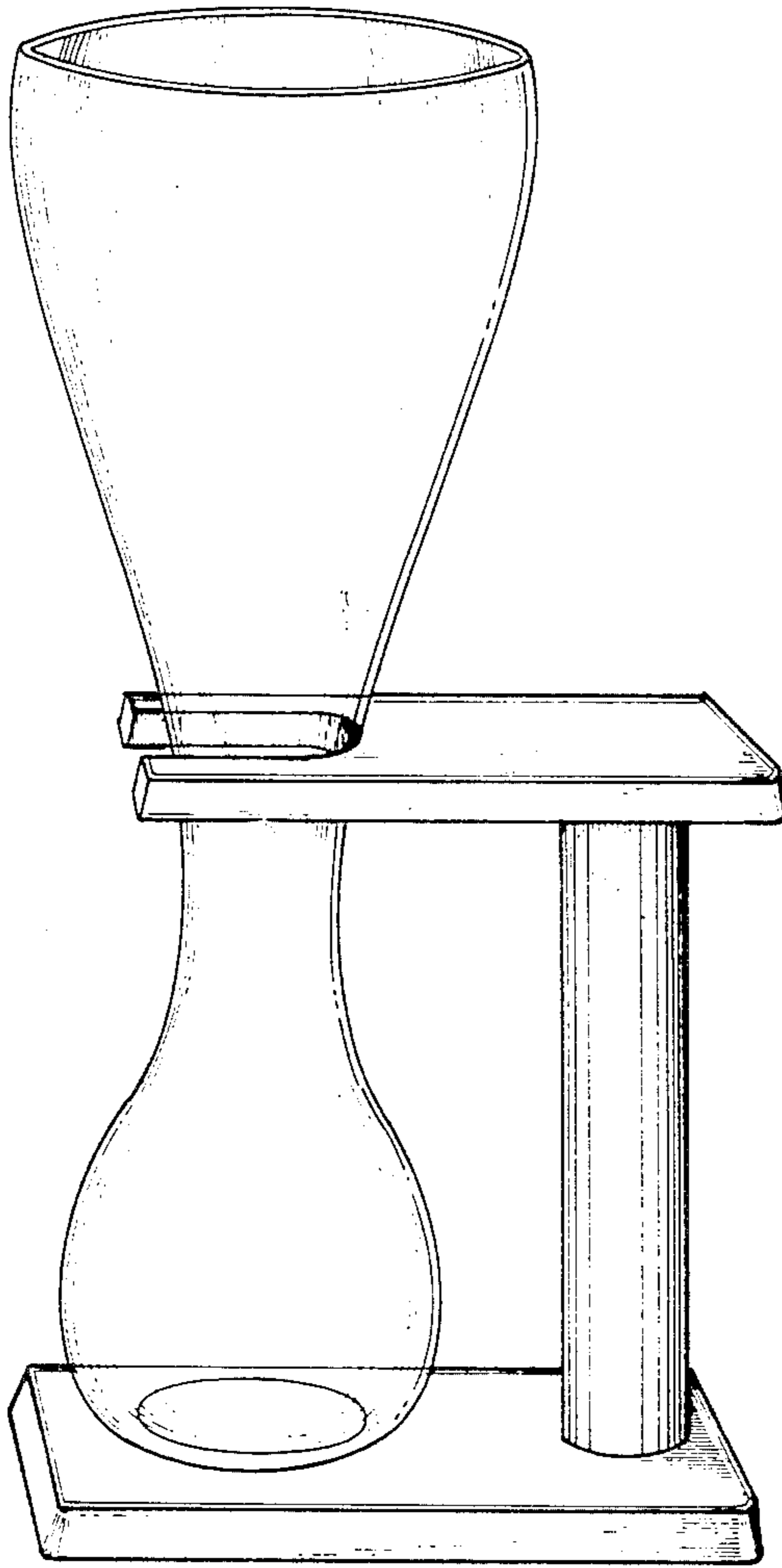


FIG. 1

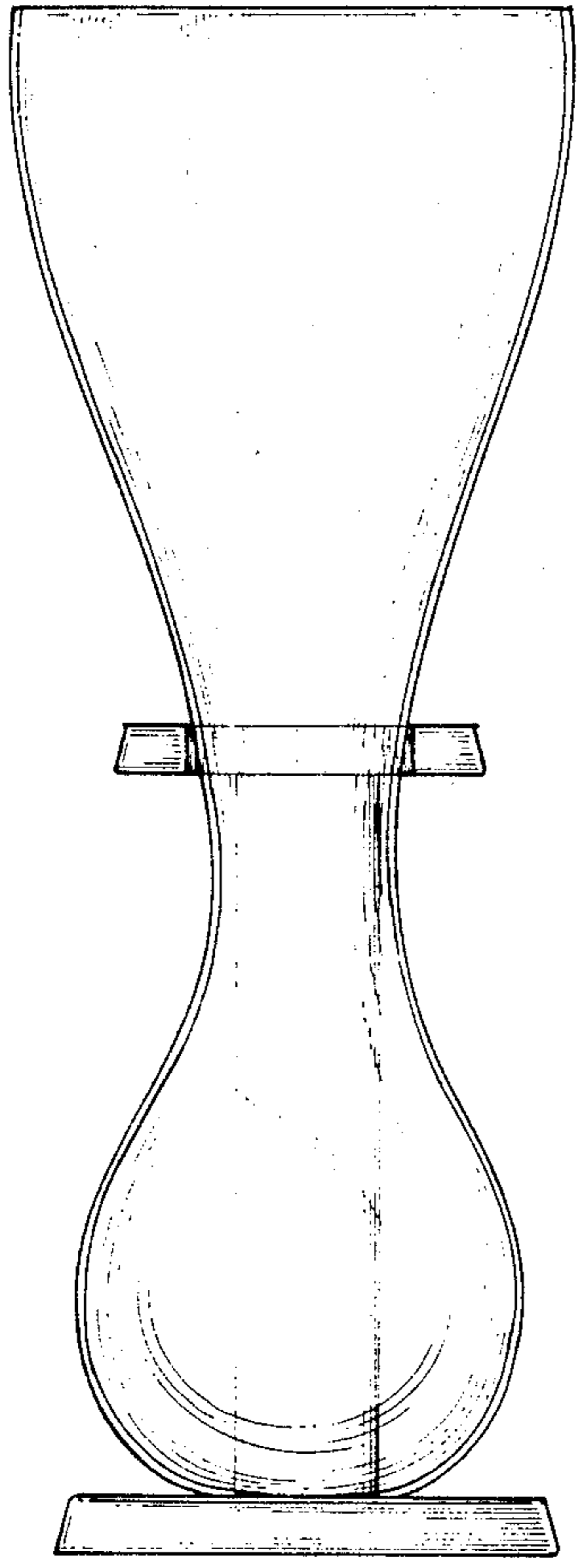


FIG. 2

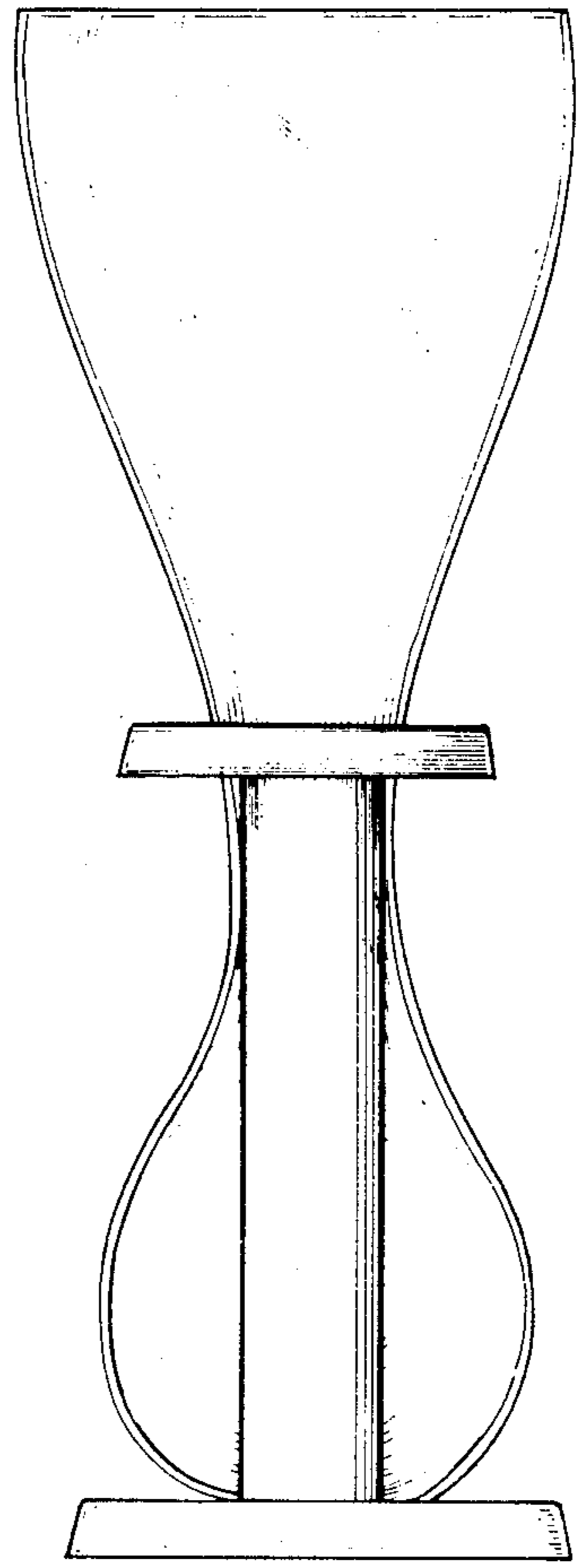


FIG. 4

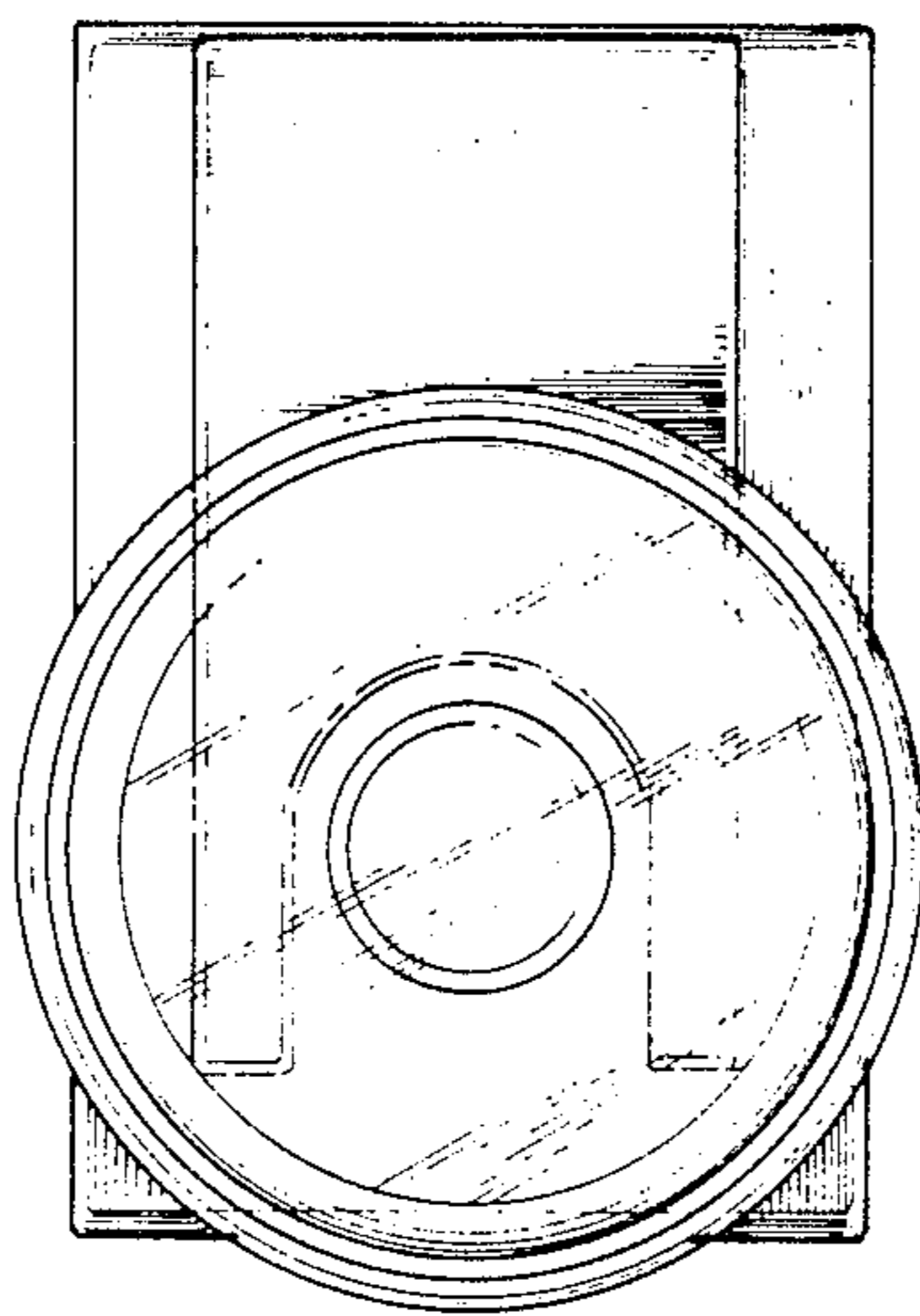


FIG. 3