

[54] PARTITIONED DESK UNIT

[76] Inventor: Devere P. Kent, 5720 S. Jordan Canal Rd., Salt Lake City, Utah 84118

[*] Notice: The portion of the term of this patent subsequent to Sep. 13, 1997 has been disclaimed.

[**] Term: 14 Years

[21] Appl. No.: 543,978

[22] Filed: Oct. 20, 1983

D. 231,062	3/1974	Kramer	D6/3
D. 233,497	11/1974	Zelkowitz	D6/3
D. 247,853	5/1978	Levine	D6/3
D. 270,505	9/1983	Kent	D6/456
2,633,398	3/1953	McAllister	312/196
2,694,614	11/1954	Dent	108/60
2,888,306	5/1959	Sease et al.	312/196
2,970,874	2/1961	Honeycutt et al.	312/223
3,160,451	12/1964	Lewis	312/194
3,172,712	3/1965	Allen	312/197
3,361,508	1/1968	Chassevent	312/239
3,698,104	10/1972	Sutton	108/60
3,715,815	2/1973	Lewis	312/196

Related U.S. Application Data

[63] Continuation-in-part of Ser. No. 487,127, Apr. 21, 1983.

[52] U.S. Cl. D6/421

[58] Field of Search D6/421, 422, 423, 425, D6/426, 427, 428, 456, 424; 312/194, 195, 196; 108/60

References Cited

U.S. PATENT DOCUMENTS

D. 197,652	3/1964	Courtwright	D33/11
D. 199,399	10/1964	Lewis	D33/11
D. 218,176	7/1970	Des Marias et al.	D6/1

Primary Examiner—Carmen H. Vales
Attorney, Agent, or Firm—Workman, Nydegger & Jensen

[57] CLAIM

The ornamental design for a partitioned desk unit, as shown and described.

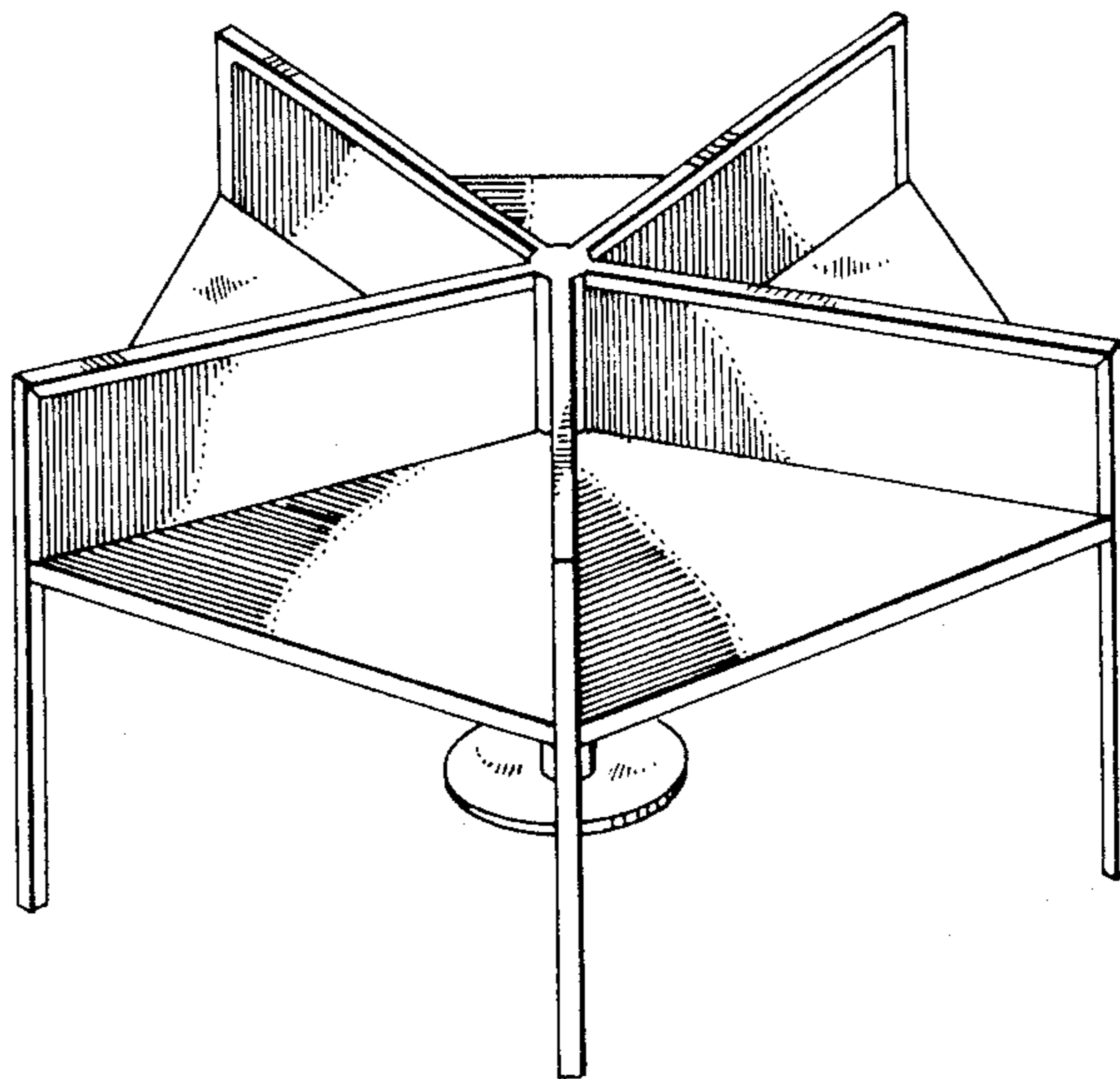
DESCRIPTION

FIG. 1 is a perspective view of a partitioned desk unit showing my new design.

FIG. 2 is a top-plan view thereof;

FIG. 3 is a front-elevation view thereof; and

FIG. 4 is a bottom-plan view thereof.



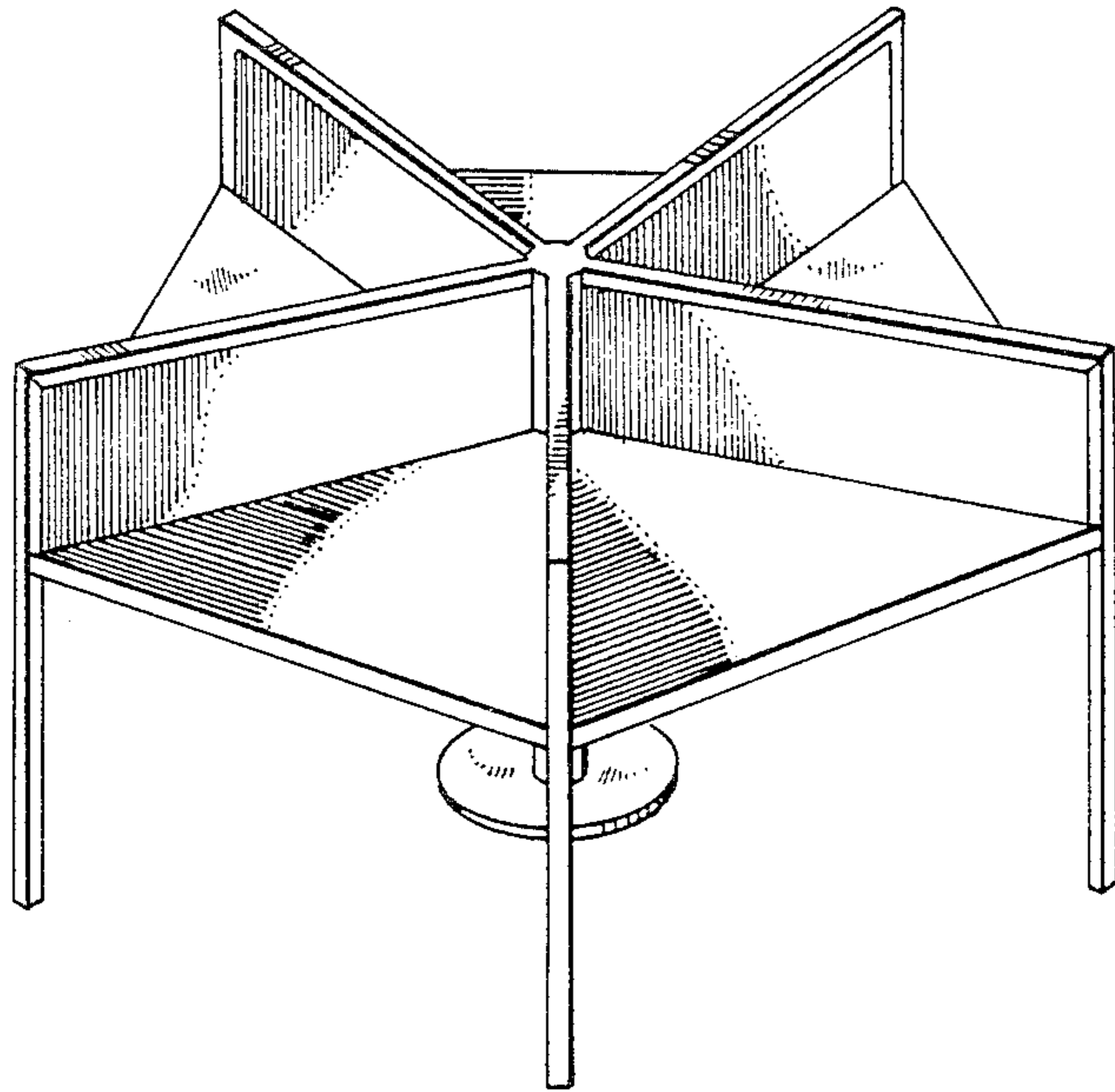


Fig. 1

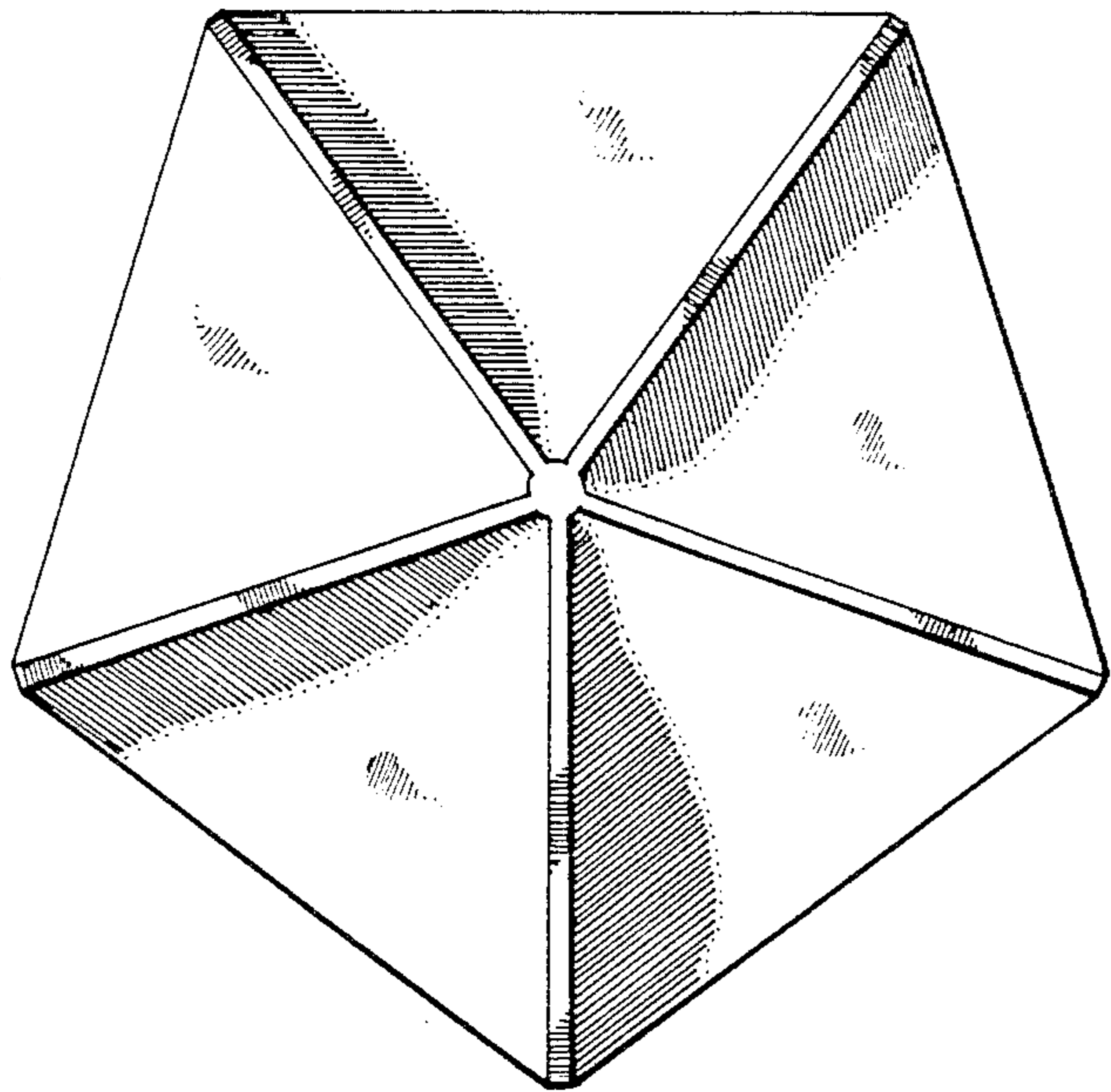


Fig. 2

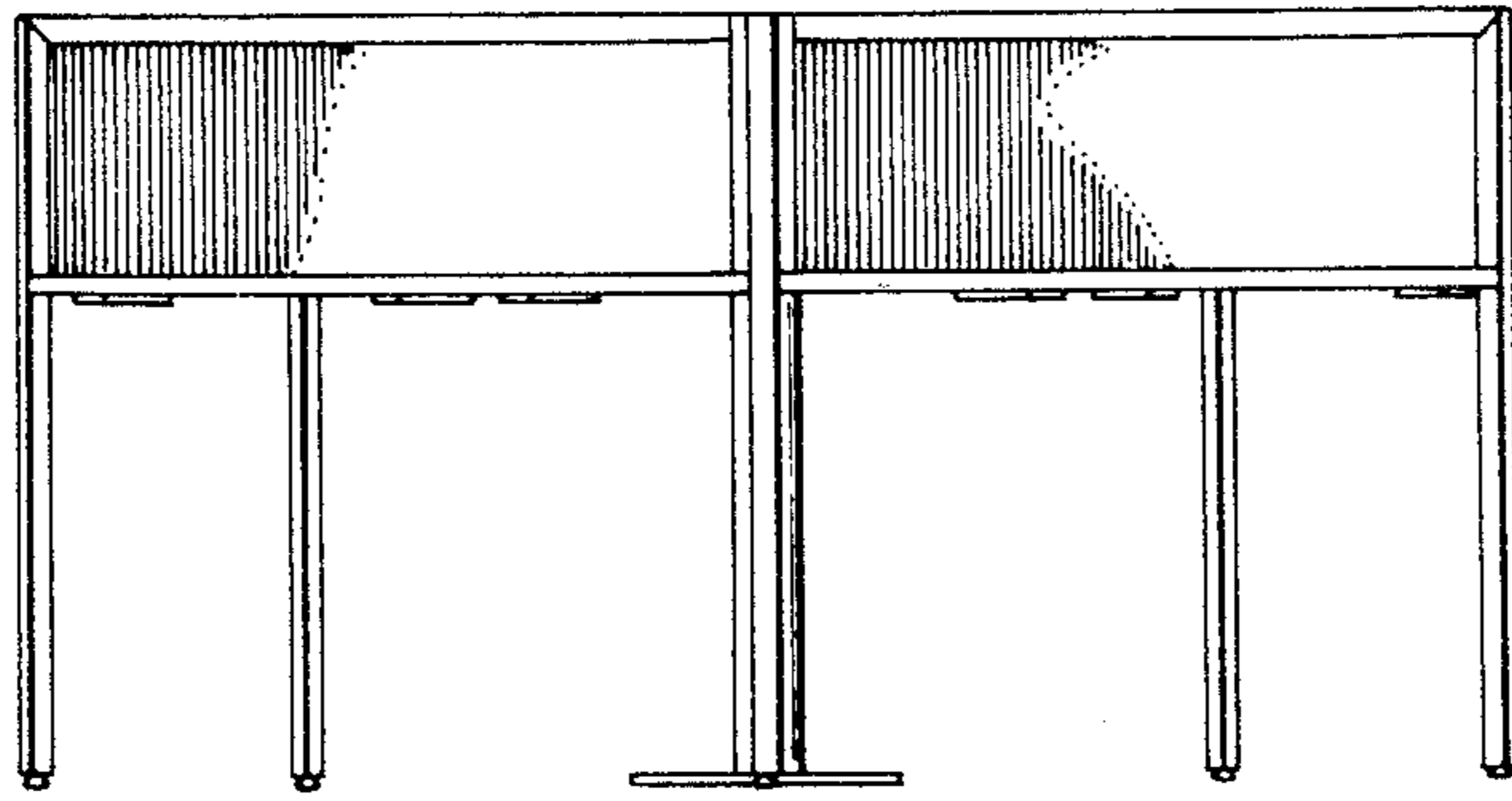


Fig. 3

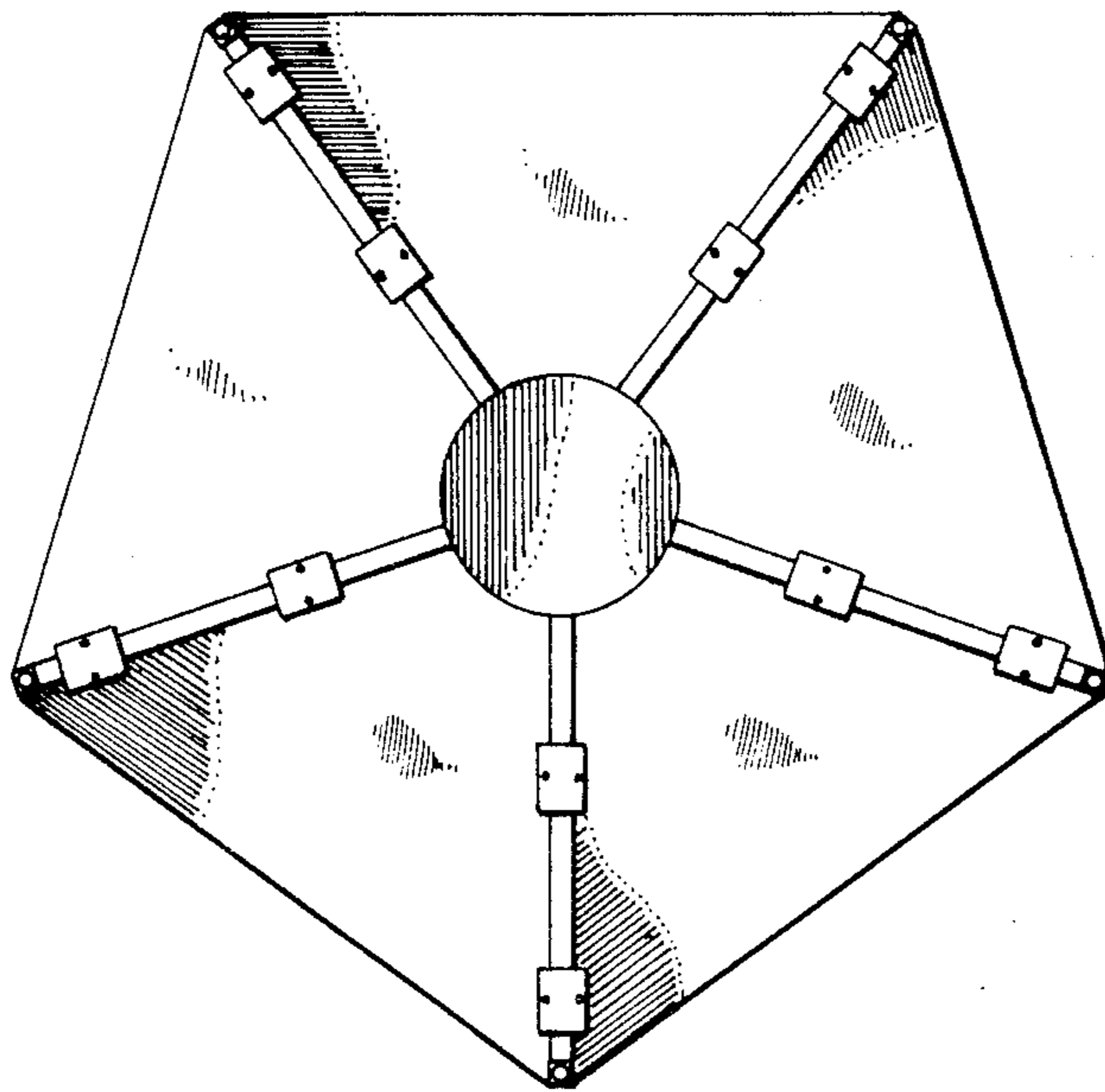


Fig. 4