

[54] **CHAIR**

[75] **Inventors: Emilio Ambasz, New York, N.Y.;
Giancarlo Piretti, Bologna, Italy**

[73] **Assignee: Center for Design Research and
Development N.V., Curacao,
Netherlands**

[**] **Term: 14 Years**

[21] **Appl. No.: 485,391**

[22] **Filed: Apr. 15, 1983**

[30] **Foreign Application Priority Data**
Oct. 21, 1982 [DE] Fed. Rep. of Germany URA
1192/82

[52] **U.S. Cl. D6/373**

[58] **Field of Search D6/374, 375, 378, 379,
D6/380, 370, 371, 372, 373**

[56] **References Cited**

U.S. PATENT DOCUMENTS

D. 249,417 9/1978 Ambasz D6/374
D. 259,688 6/1981 Ambasz D6/375

OTHER PUBLICATIONS

Interiors, Jul. 1972, p. 48, "Flottoto" Chair by American Seating.

Primary Examiner—Bruce W. Dunkins
Attorney, Agent, or Firm—Brumbaugh, Graves,
Donohue & Raymond

[57] **CLAIM**

The ornamental design for a chair, as shown.

DESCRIPTION

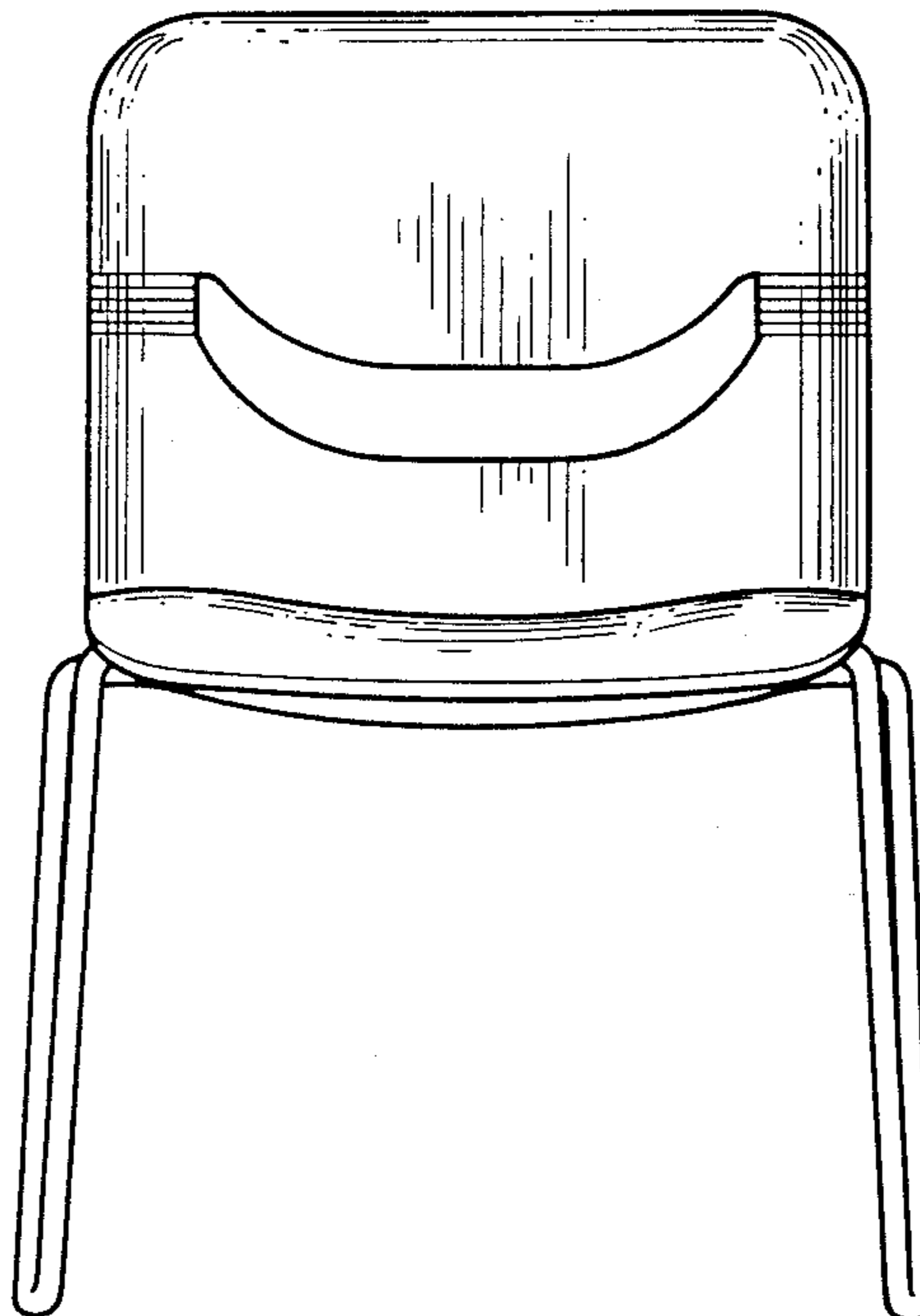
FIG. 1 is a front elevational view of a chair showing our design;

FIG. 2 is a side elevational view;

FIG. 3 is a top plan view;

FIG. 4 is a rear elevational view; and

FIG. 5 is a bottom plan view thereof.



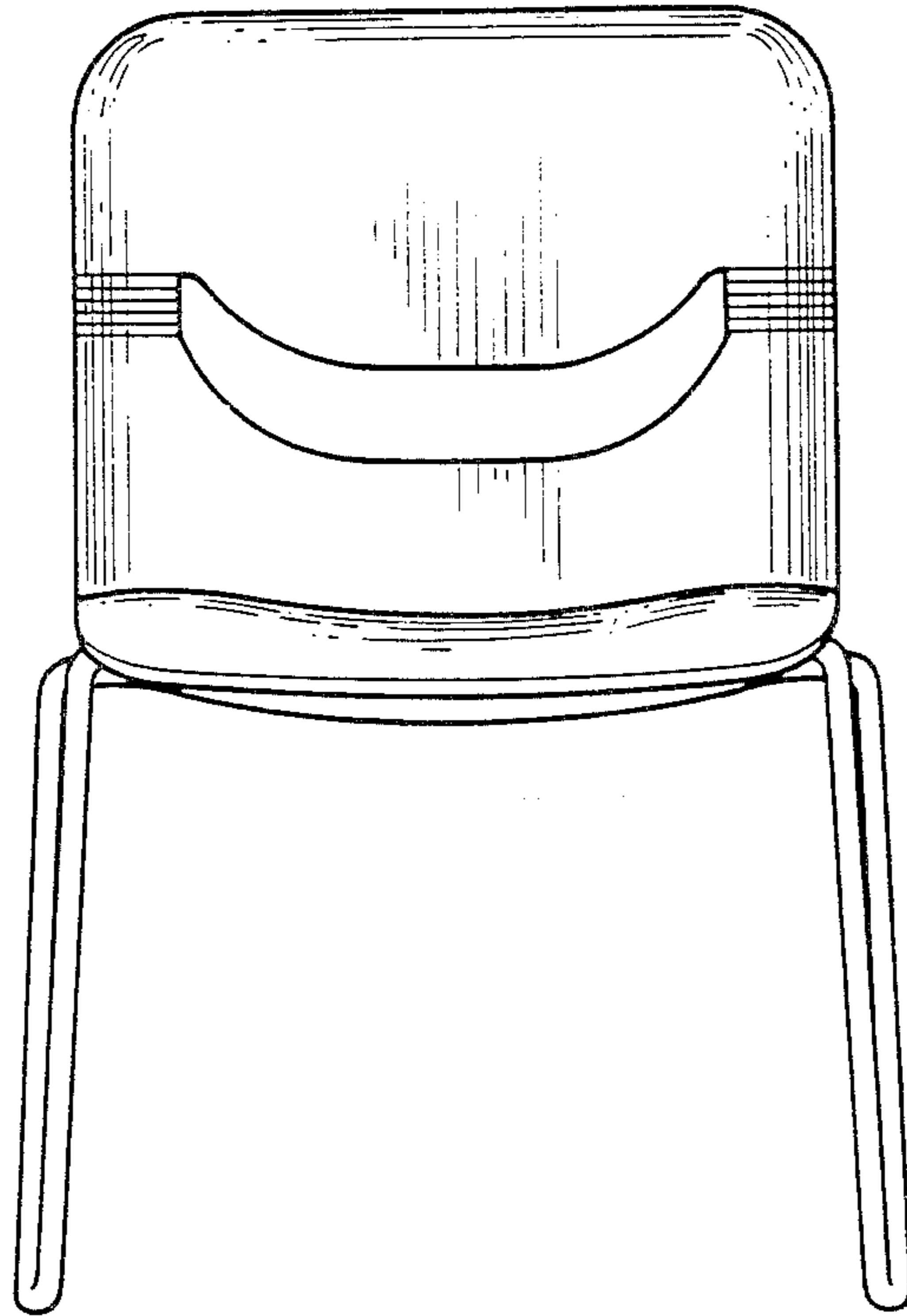


FIG. 1

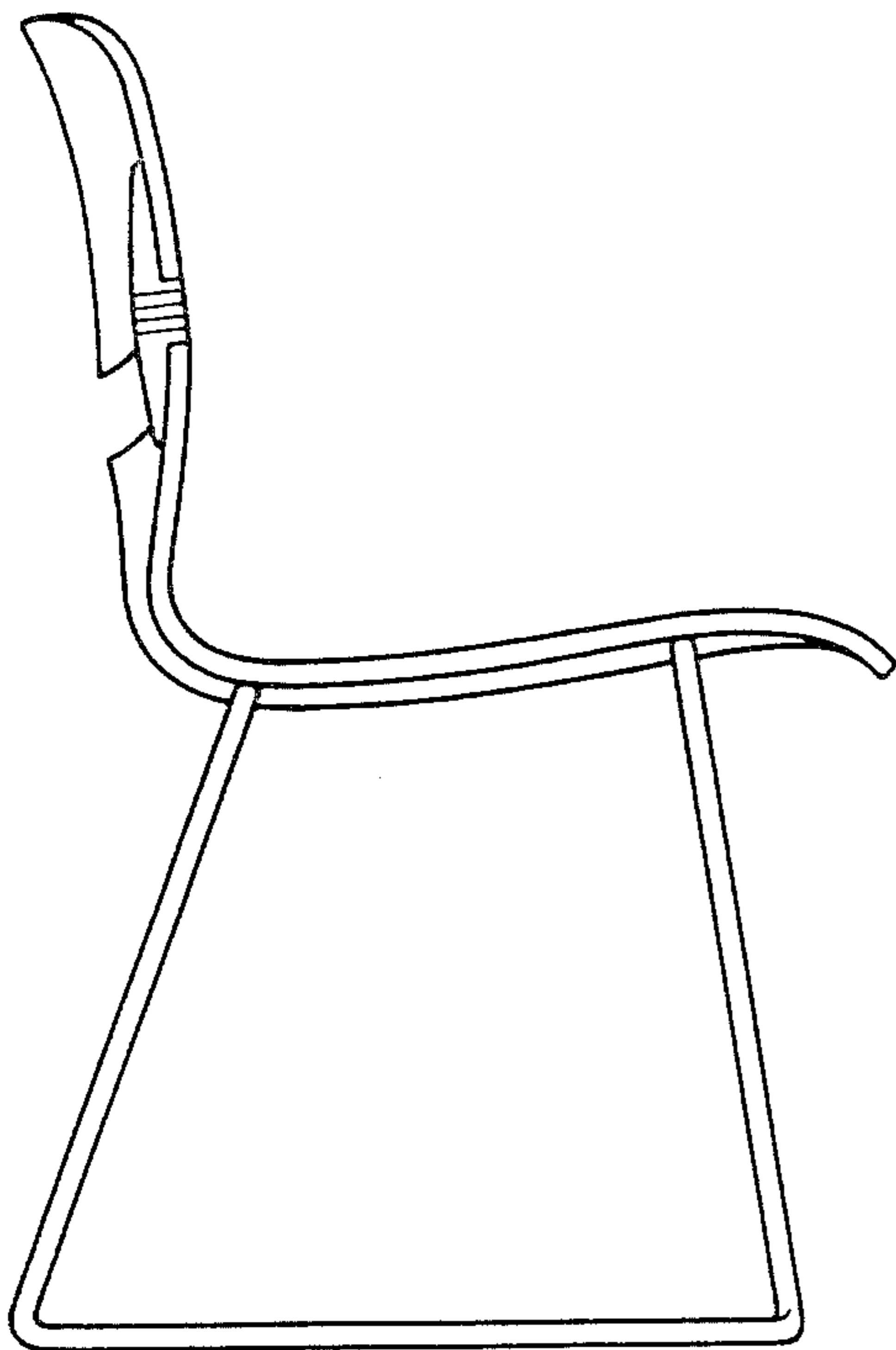


FIG. 2

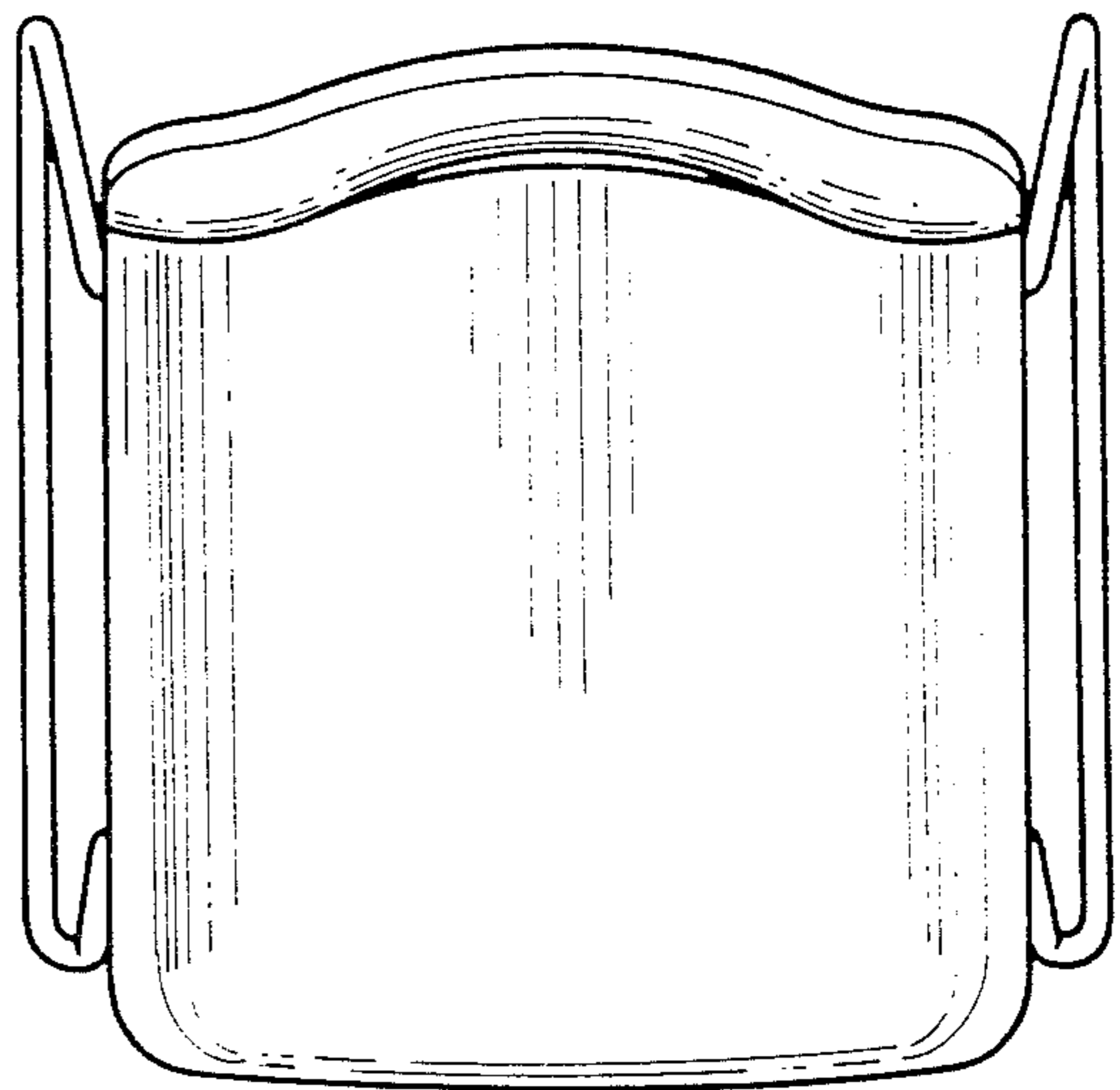


FIG. 3

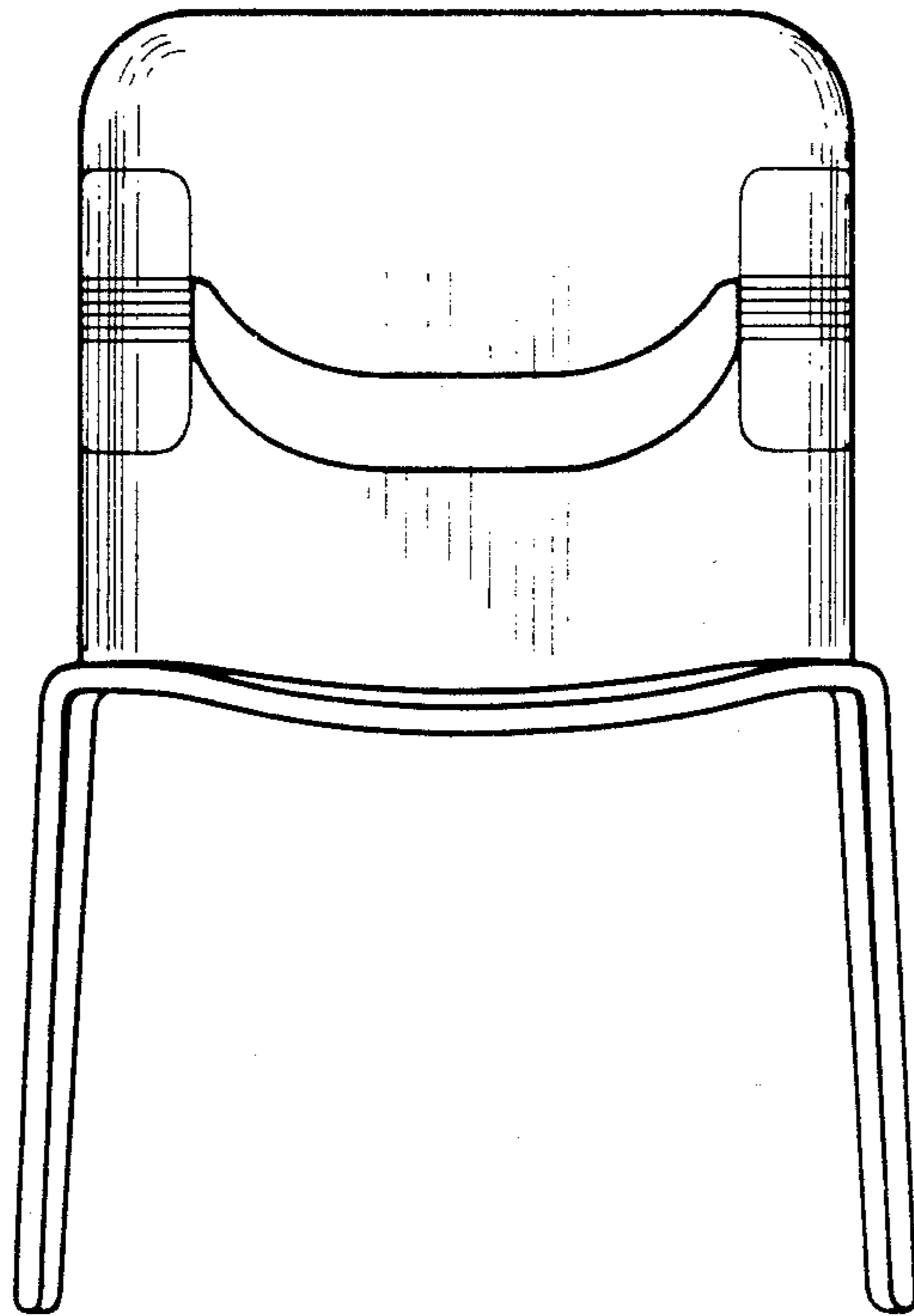


FIG. 4

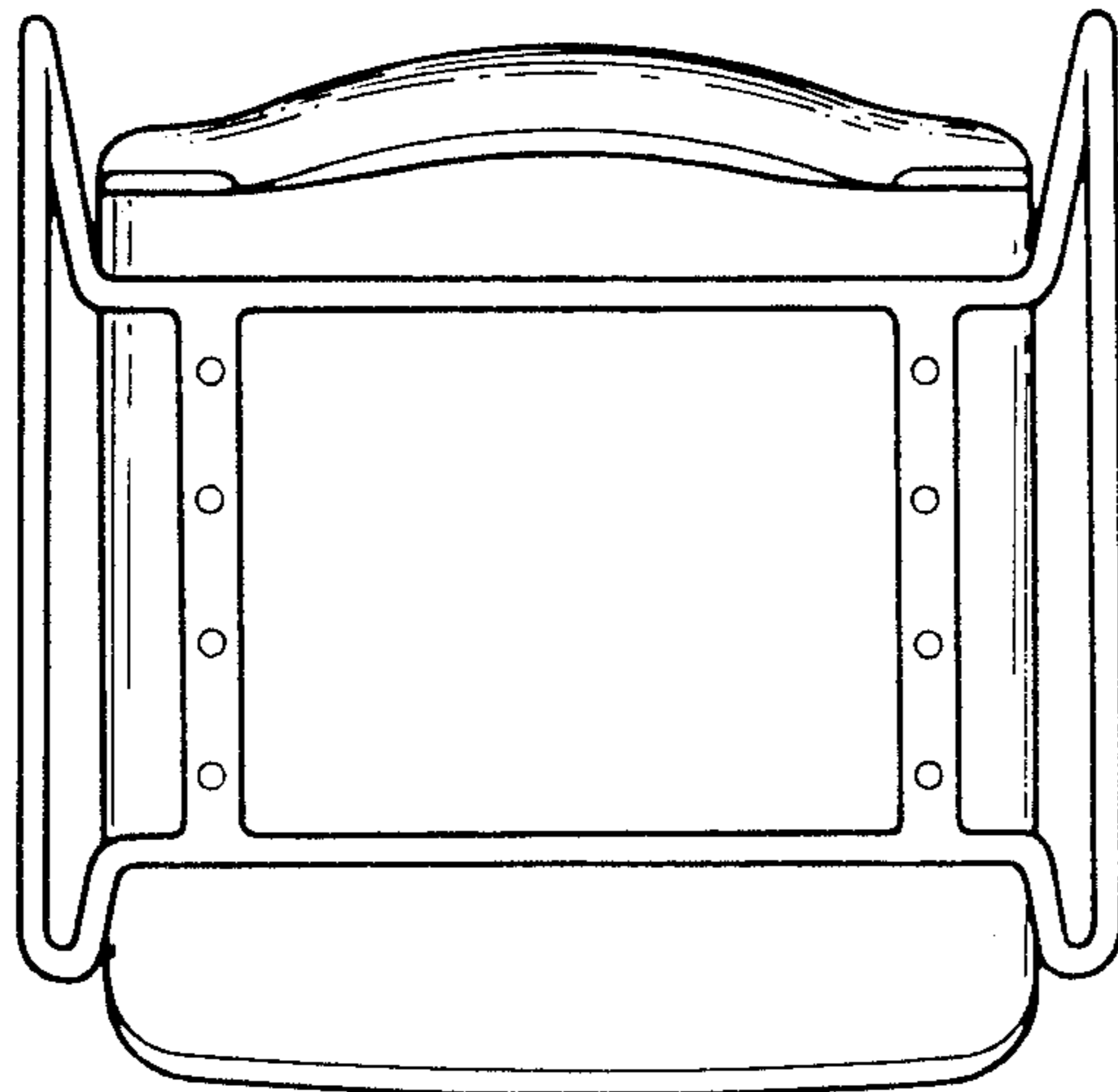


FIG. 5