

[54] PERIODICAL DISPLAY RACK

[75] Inventors: Gregory G. Mt. Pleasant, Baldwinsville; James R. Dokoupil; David S. Snyder, both of Liverpool, all of N.Y.

[73] Assignee: Gaylord Bros., Inc., Liverpool, N.Y.

[\*\*] Term: 14 Years

[21] Appl. No.: 537,568

[22] Filed: Sep. 30, 1983

[52] U.S. Cl. .... D6/461

[58] Field of Search ..... D6/407, 449, 455, 466, D6/467, 468, 477, 479, 457, 459, 460, 461; D3/35; 211/42, 58, 163; 108/103

[56] References Cited

U.S. PATENT DOCUMENTS

D. 222,600	11/1971	Wells	.....	D6/459
D. 240,384	7/1976	Rumble et al.	.....	D6/457
2,902,175	9/1959	Shoffner	.....	108/103
3,056,506	10/1962	Fuller et al.	.....	211/163 X

OTHER PUBLICATIONS

Office Products Dealer, Oct. 1982, p. 105, "Prestype" Display Stands, bottom of page.

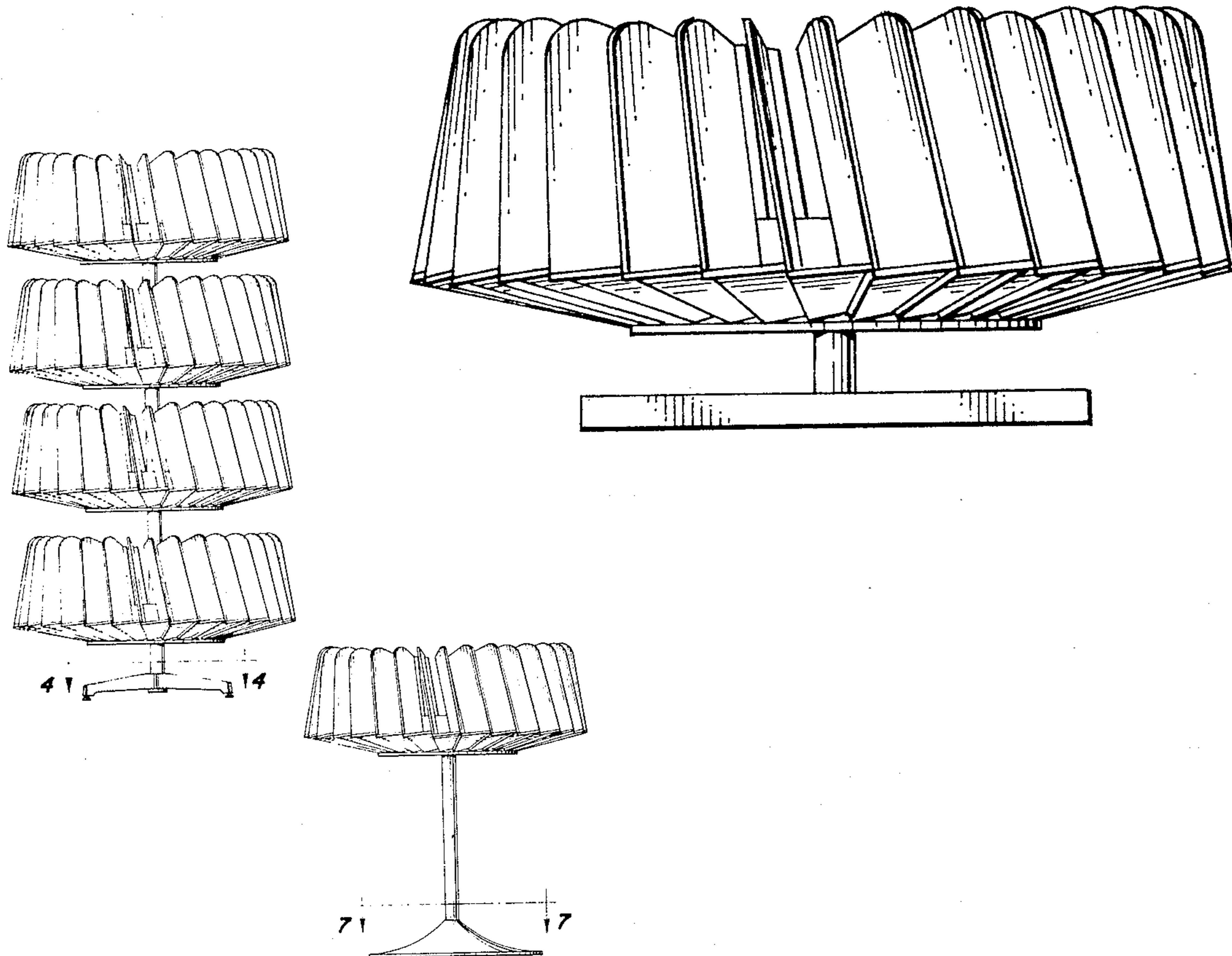
Primary Examiner—Carmen H. Vales  
Attorney, Agent, or Firm—Staas & Halsey

[57] CLAIM

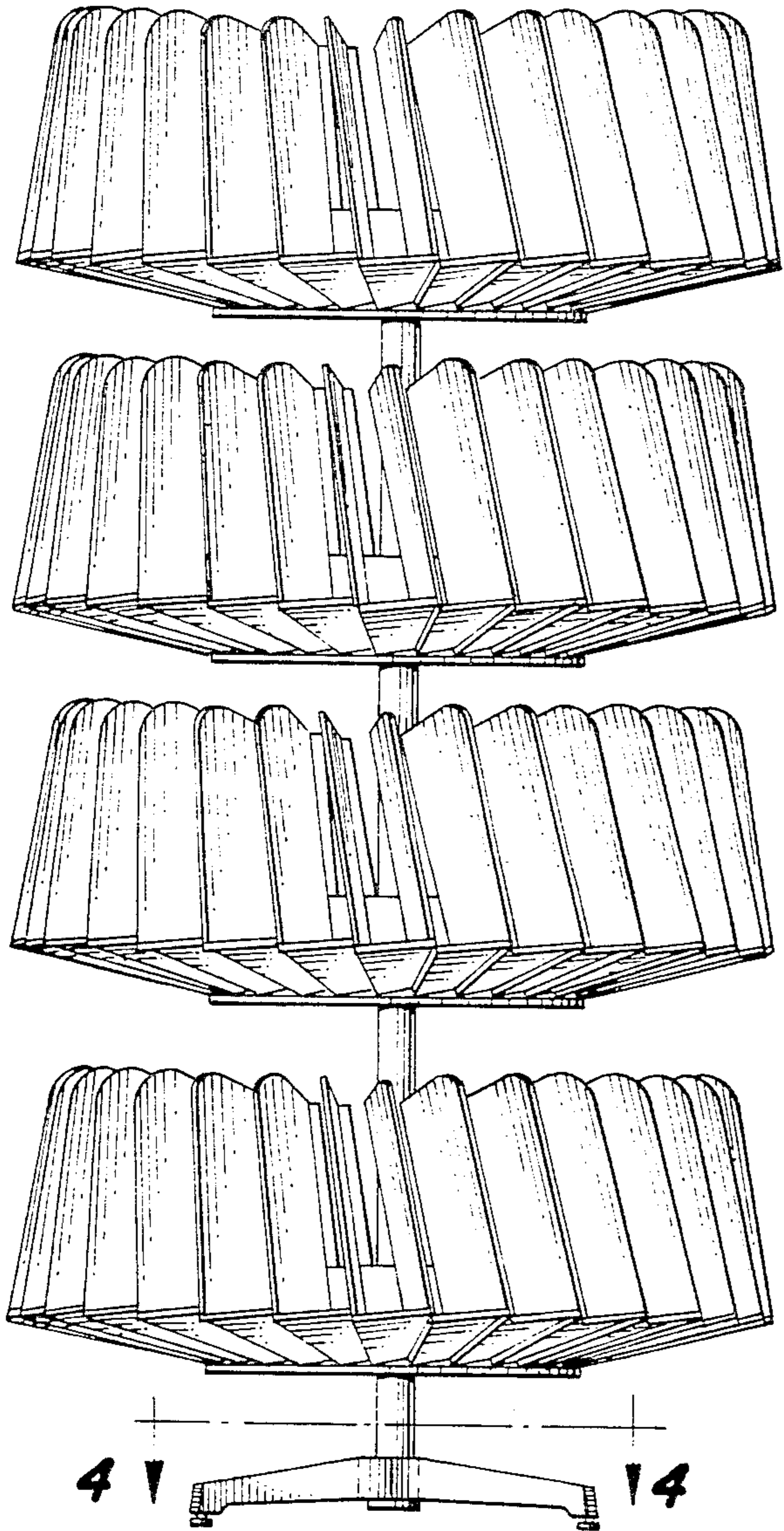
The ornamental design for a periodical display rack, substantially as shown and described.

DESCRIPTION

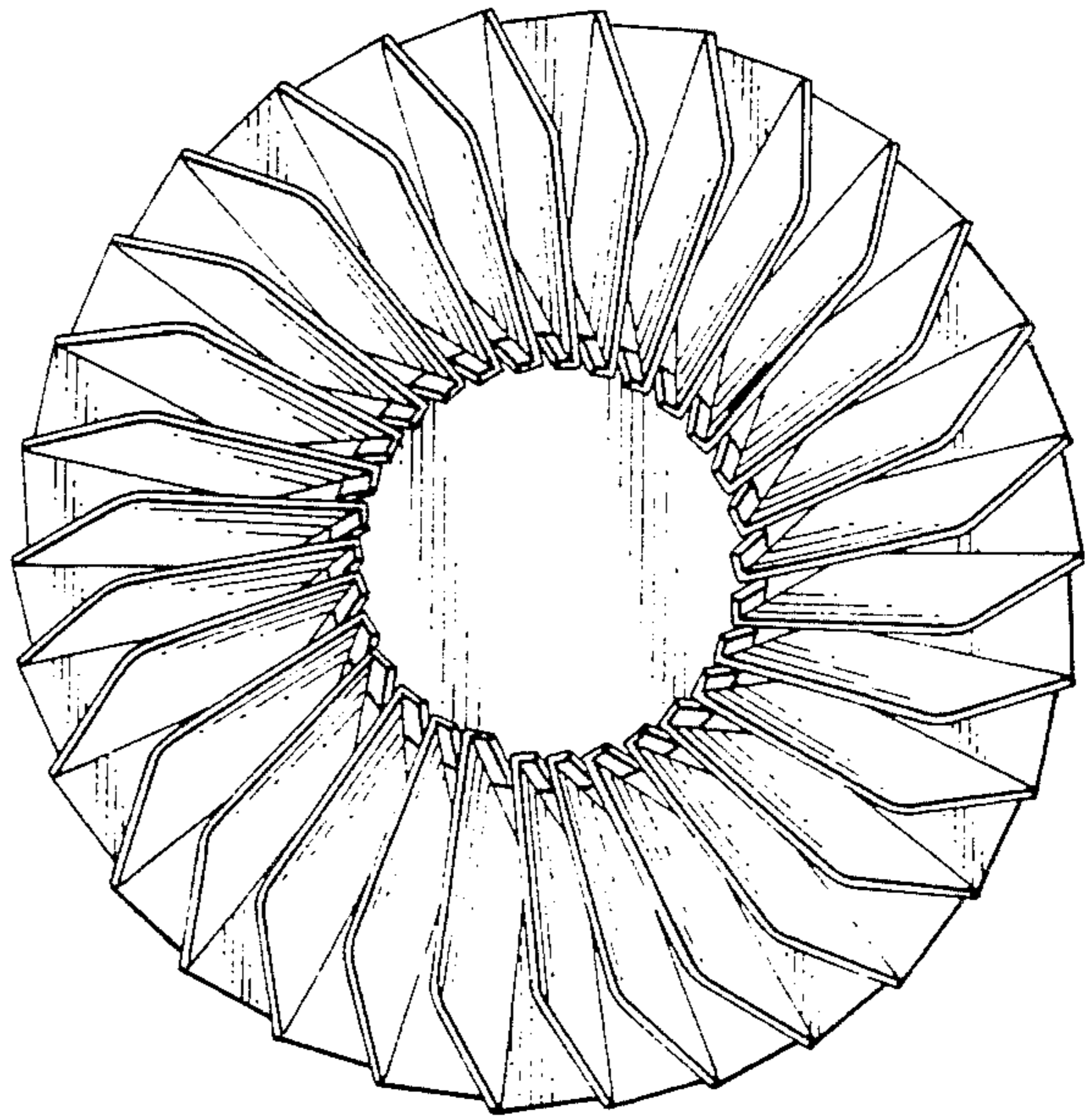
FIG. 1 is a front elevational view of a periodical display rack showing our new design;  
 FIG. 2 is a top plan view thereof;  
 FIG. 3 is a bottom plan view of FIG. 1;  
 FIG. 4 is a sectional view of FIG. 1, taken along line 4—4 shown in FIG. 1;  
 FIG. 5 is a front elevational view of a second embodiment of the rack shown in FIG. 1, the top view being identical to that shown in FIG. 2;  
 FIG. 6 is a bottom plan view of FIG. 5;  
 FIG. 7 is a sectional view of FIG. 5, taken along line 7—7 in FIG. 5;  
 FIG. 8 is a front elevational view of a third embodiment of the rack shown in FIG. 1, the top view being identical to that shown in FIG. 2; and  
 FIG. 9 is a bottom plan view of FIG. 8.



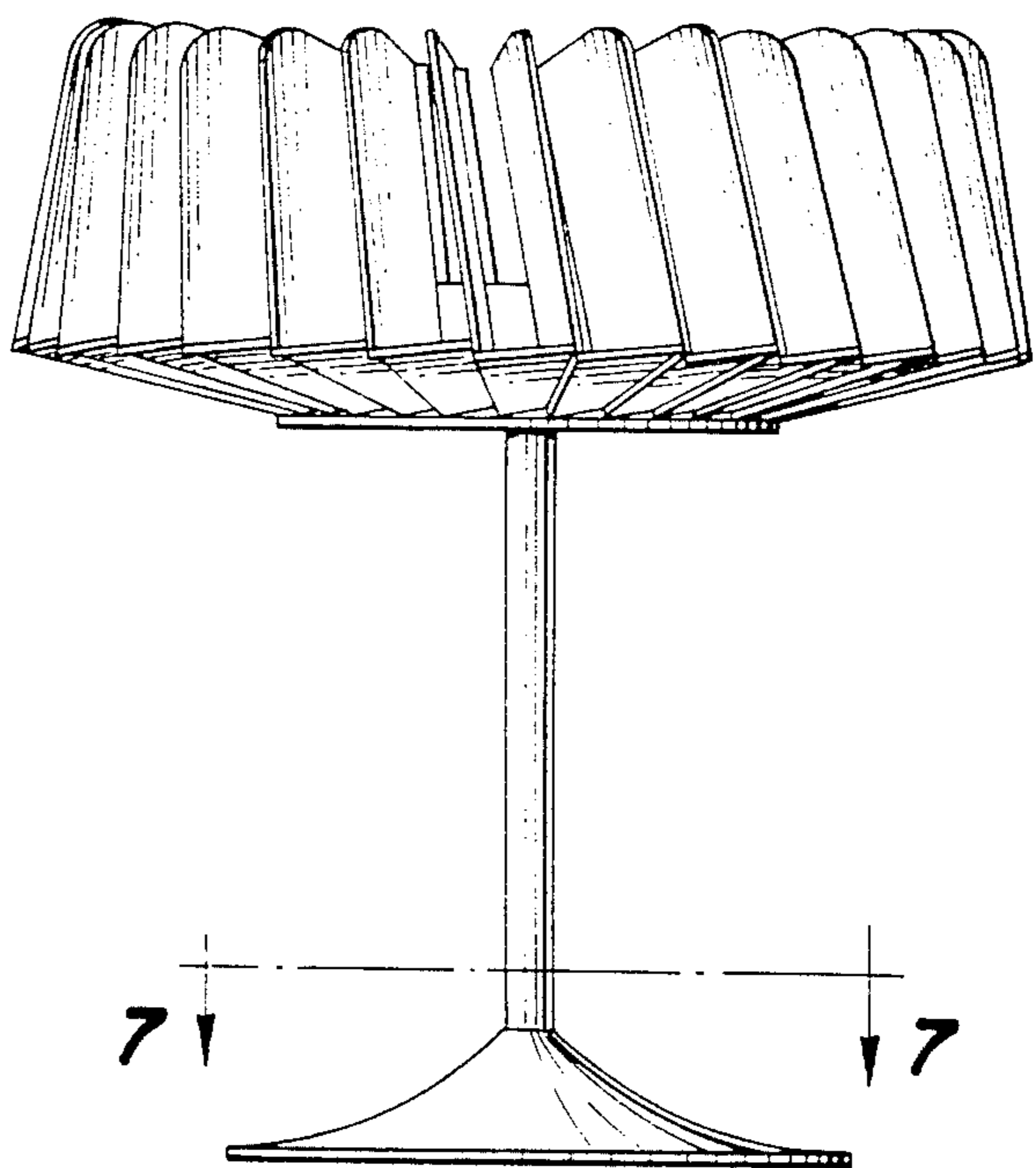
*FIG. 1.*



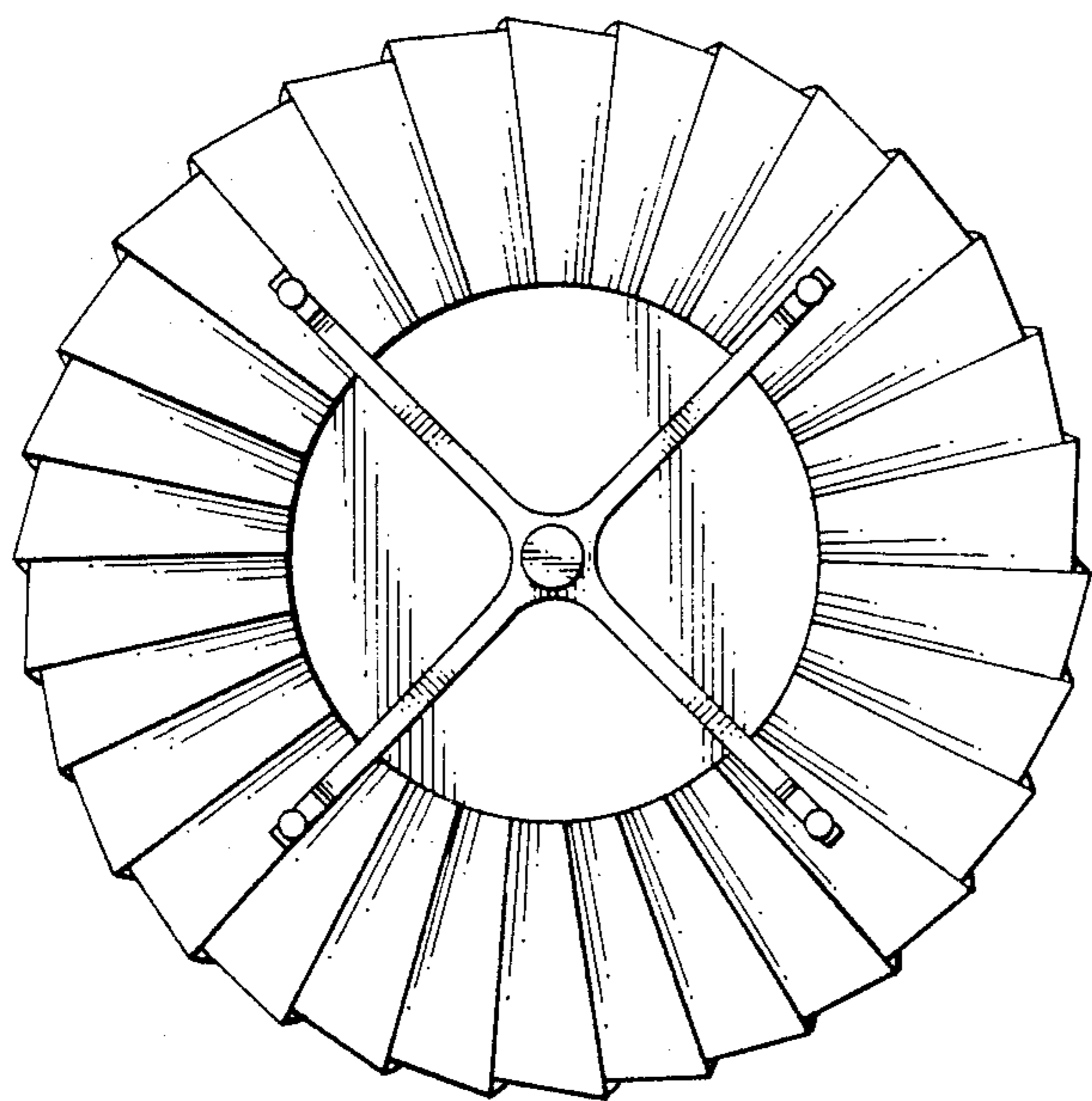
*FIG. 2.*



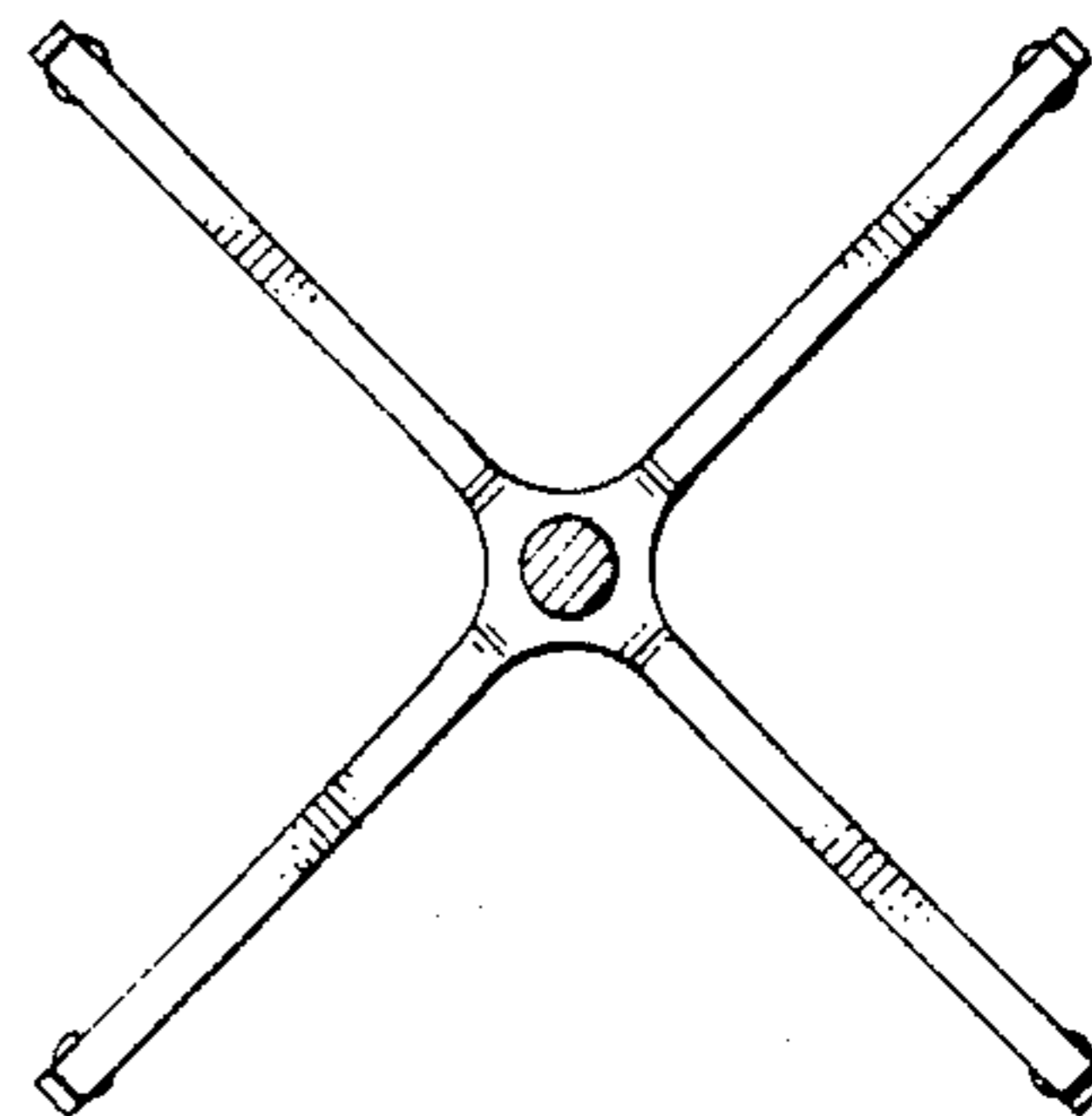
*FIG. 5.*



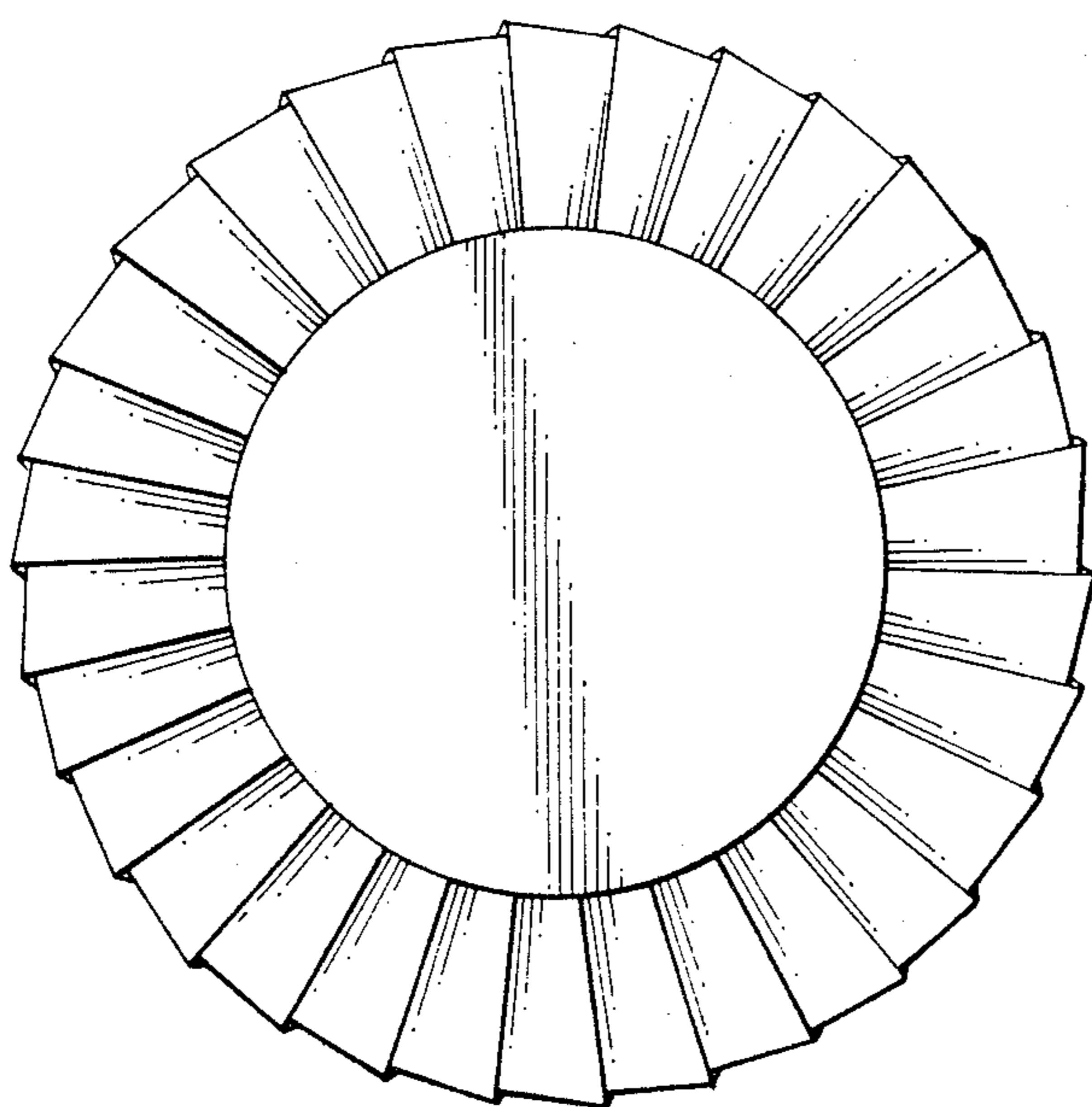
**FIG. 3.**



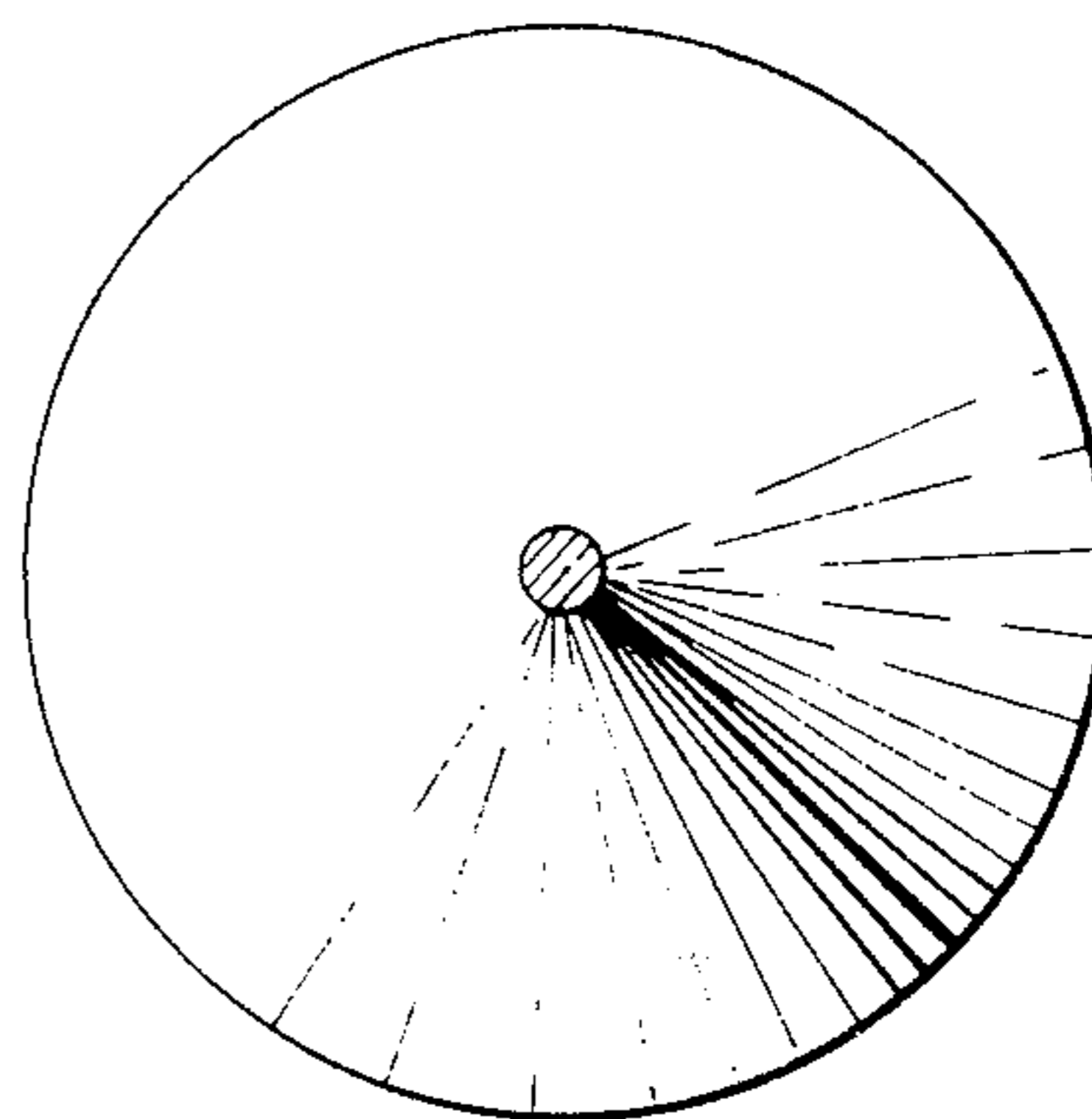
**FIG. 4.**



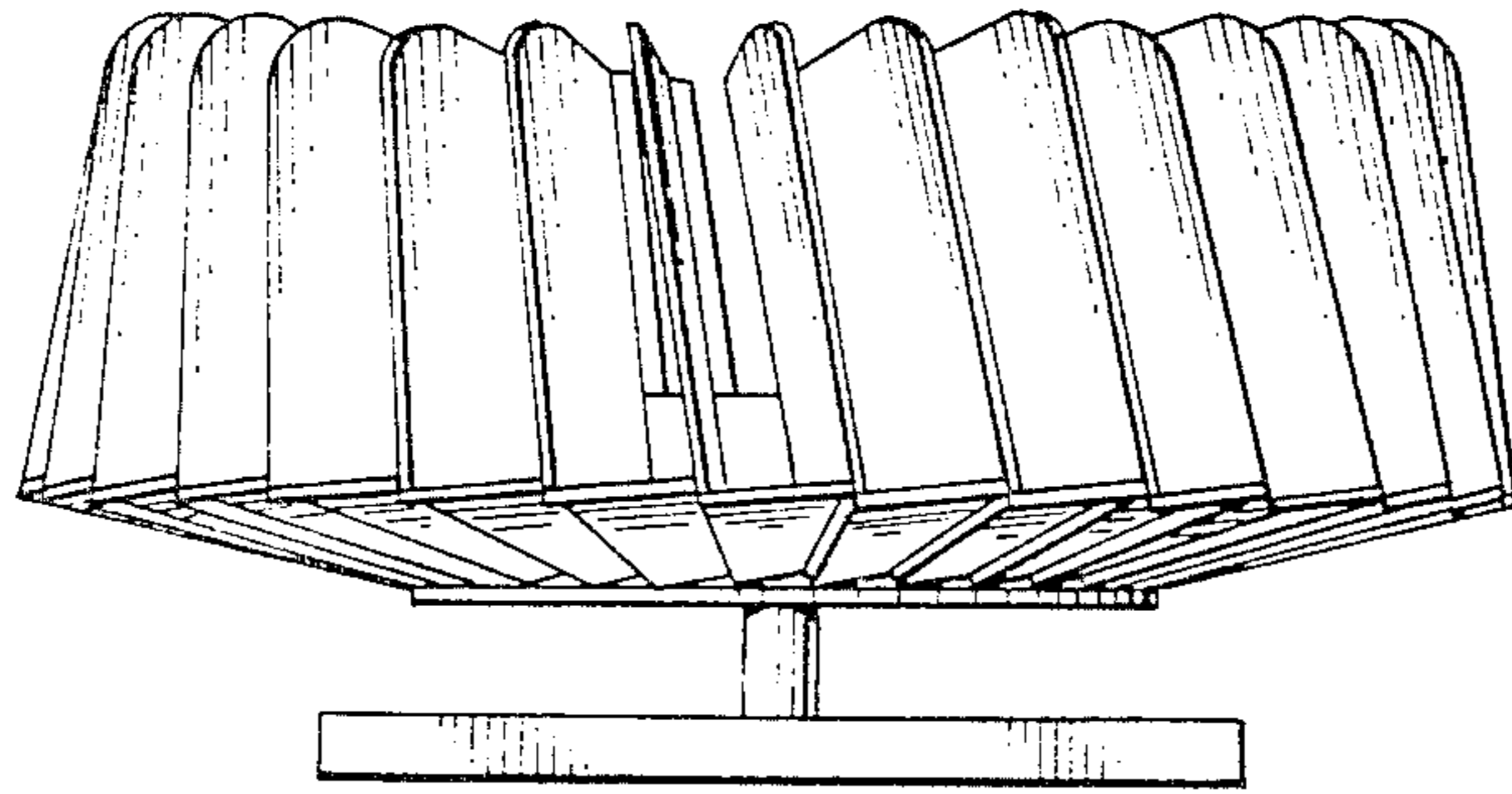
**FIG. 6.**



**FIG. 7.**



*FIG. 8.*



*FIG. 9.*

