

[54] COMBINED HELMET AND BEVERAGE CONTAINER HOLDERS

[75] Inventors: Thomas G. Rebiskie; Lawrence W. Fuqua, both of Fremont, Calif.

[73] Assignee: T & L Enterprises, Fremont, Calif.

[**] Term: 14 Years

[21] Appl. No.: 590,514

[22] Filed: Mar. 16, 1984

[52] U.S. Cl. D2/248; D2/231; D2/250

[58] Field of Search D2/230, 231, 232, 239, D2/240, 244, 246, 250, 248, 238; 446/26, 27; 272/8 N; 2/9, 5, 410, 424, 425; D7/70, 71

[56] References Cited

U.S. PATENT DOCUMENTS

- D. 154,468 7/1949 Foulke D7/71
- D. 171,297 1/1954 D'Arbeloff D2/232
- D. 171,754 3/1954 Endelson D2/248
- D. 266,623 4/1973 Shuford D7/70

- D. 274,537 7/1984 Wolens et al. D2/230
- D. 278,381 4/1985 Saari D2/244
- 1,377,931 5/1921 Samuels D7/71
- 3,068,865 12/1962 Laszlo D2/231
- 3,106,184 10/1963 Shea D2/238
- 3,946,442 3/1976 Wallander 2/9
- 4,521,831 6/1985 Thayer 2/5

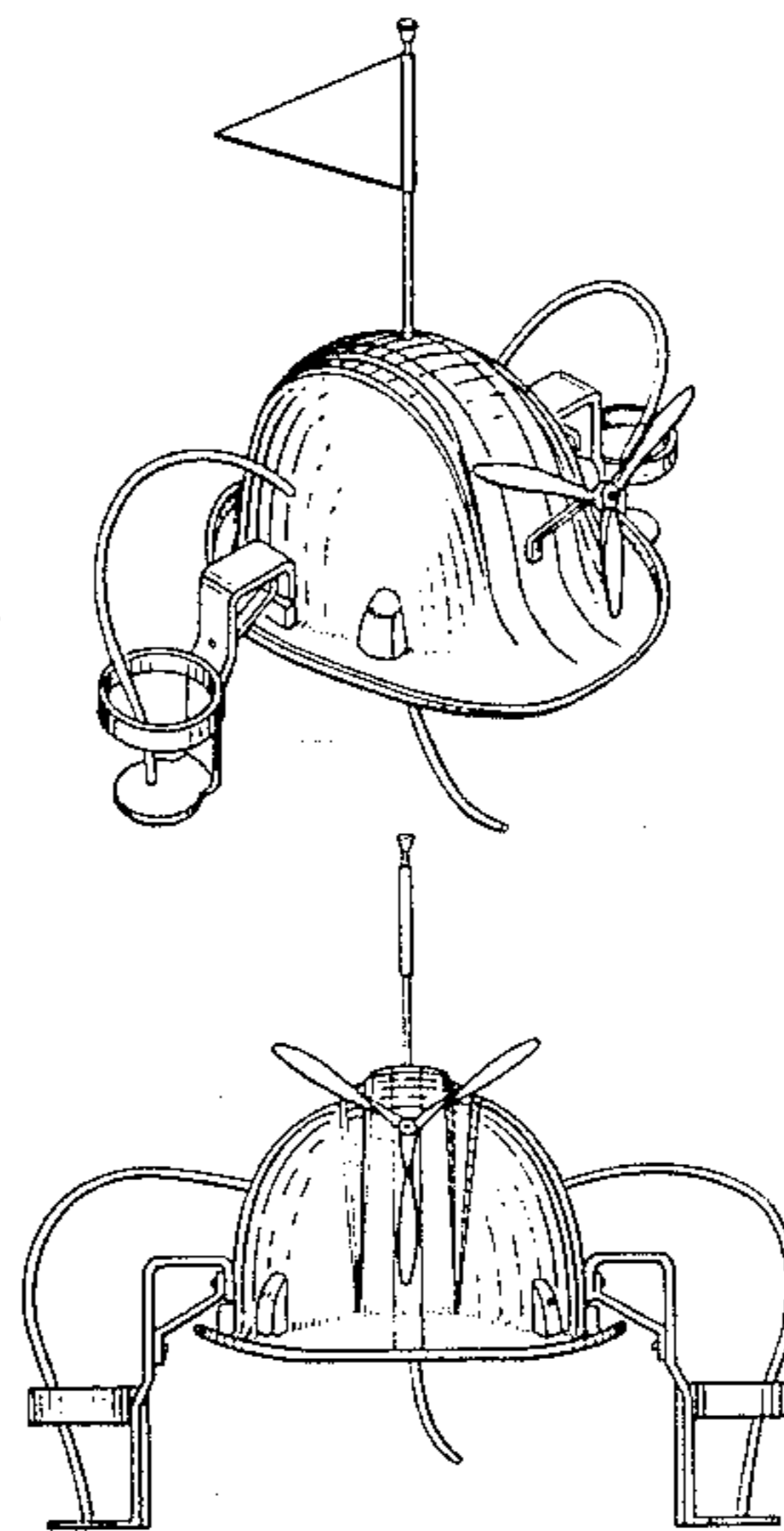
Primary Examiner—Carmen H. Vales
Attorney, Agent, or Firm—Thomas E. Schatzel

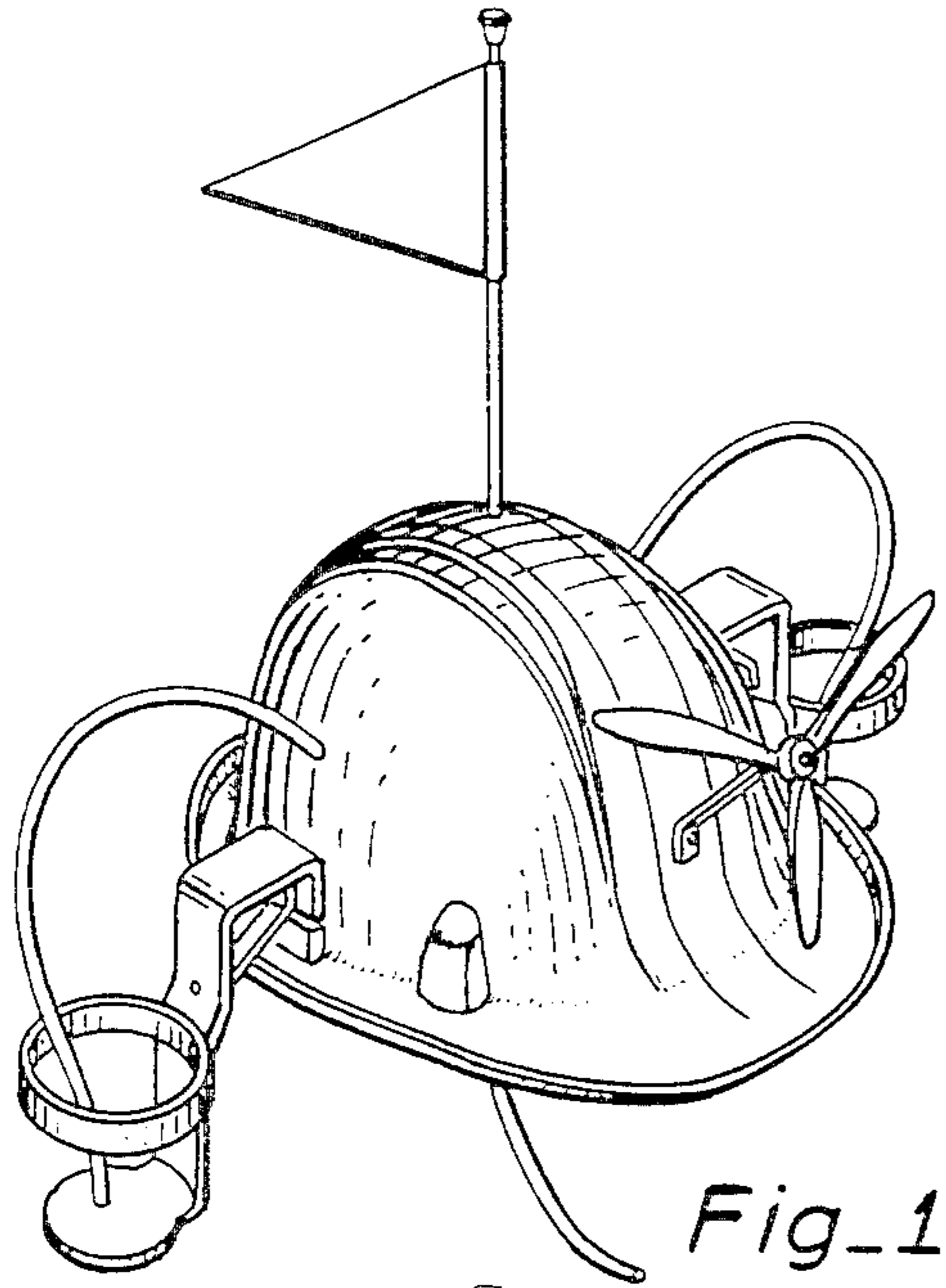
[57] CLAIM

The ornamental design for a combined helmet and beverage container holders, as shown and described.

DESCRIPTION

FIG. 1 is a perspective view of a combined helmet and beverage container holders showing our new design; FIG. 2 is a left side elevational view, the right side being a mirror image thereof; FIG. 3 is a front elevational view thereof; FIG. 4 is a rear elevational view thereof; FIG. 5 is a top plan view thereof; and FIG. 6 is a bottom plan view thereof.





Fig_1

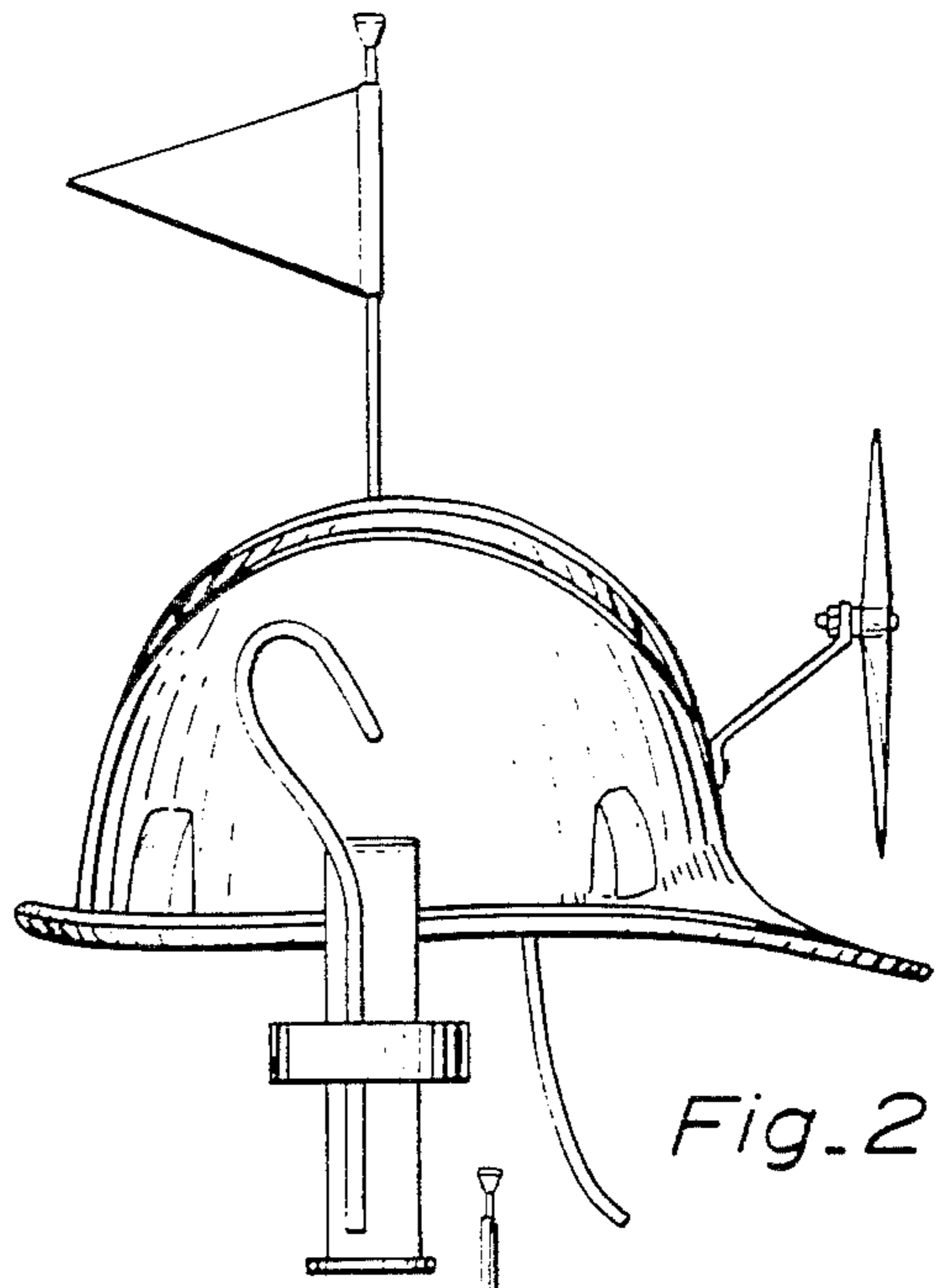
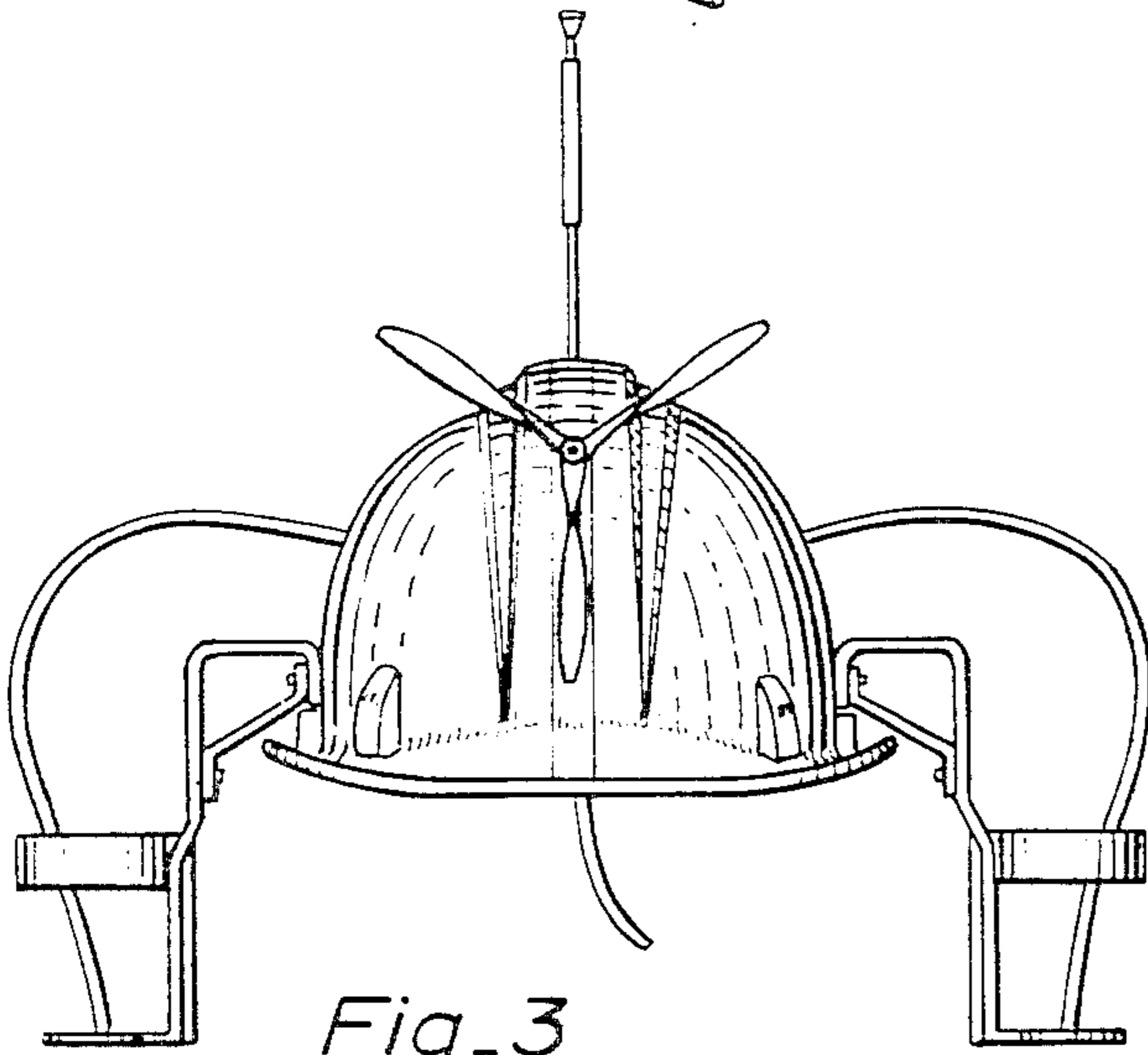


Fig.2



Fig_3

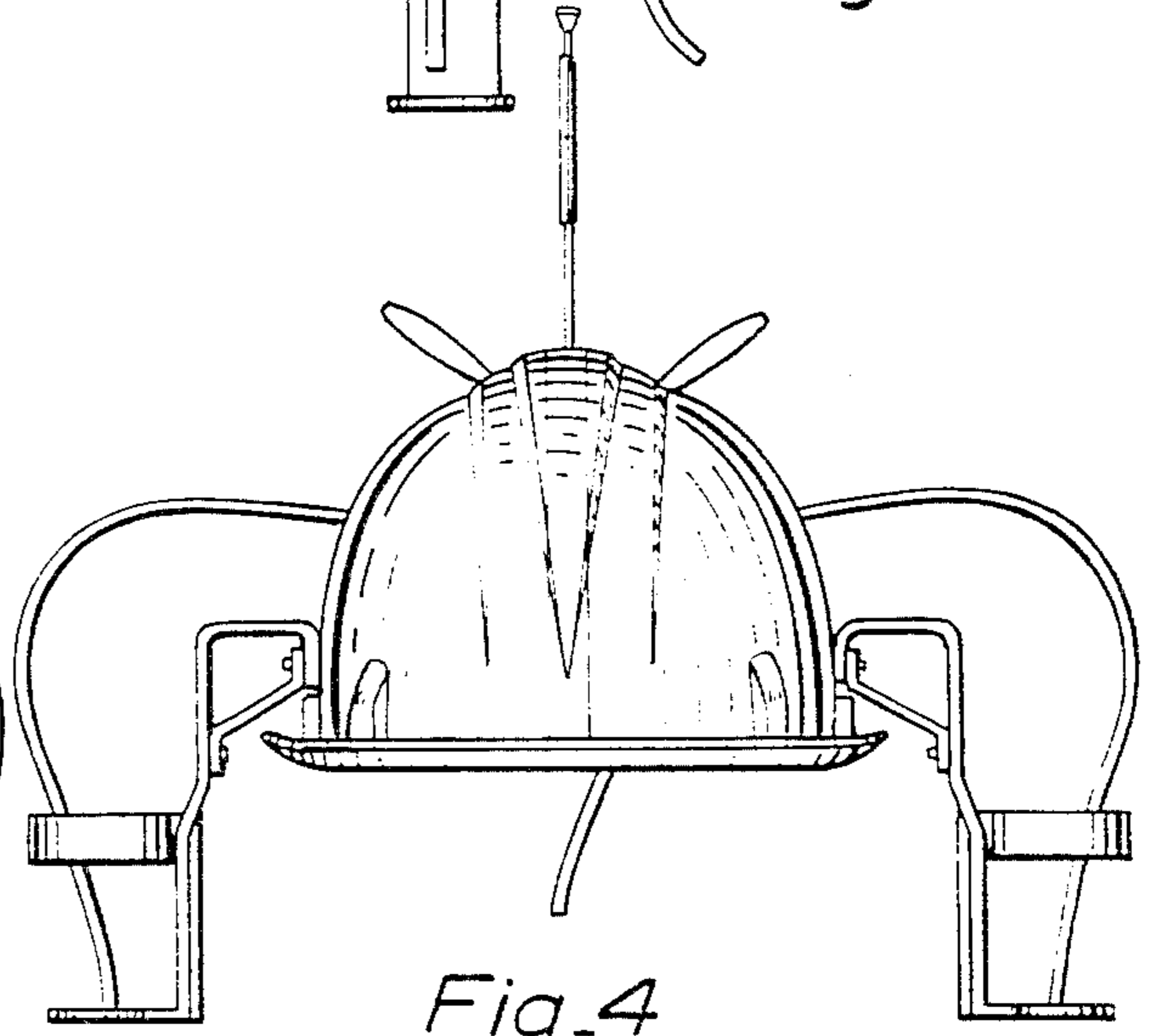
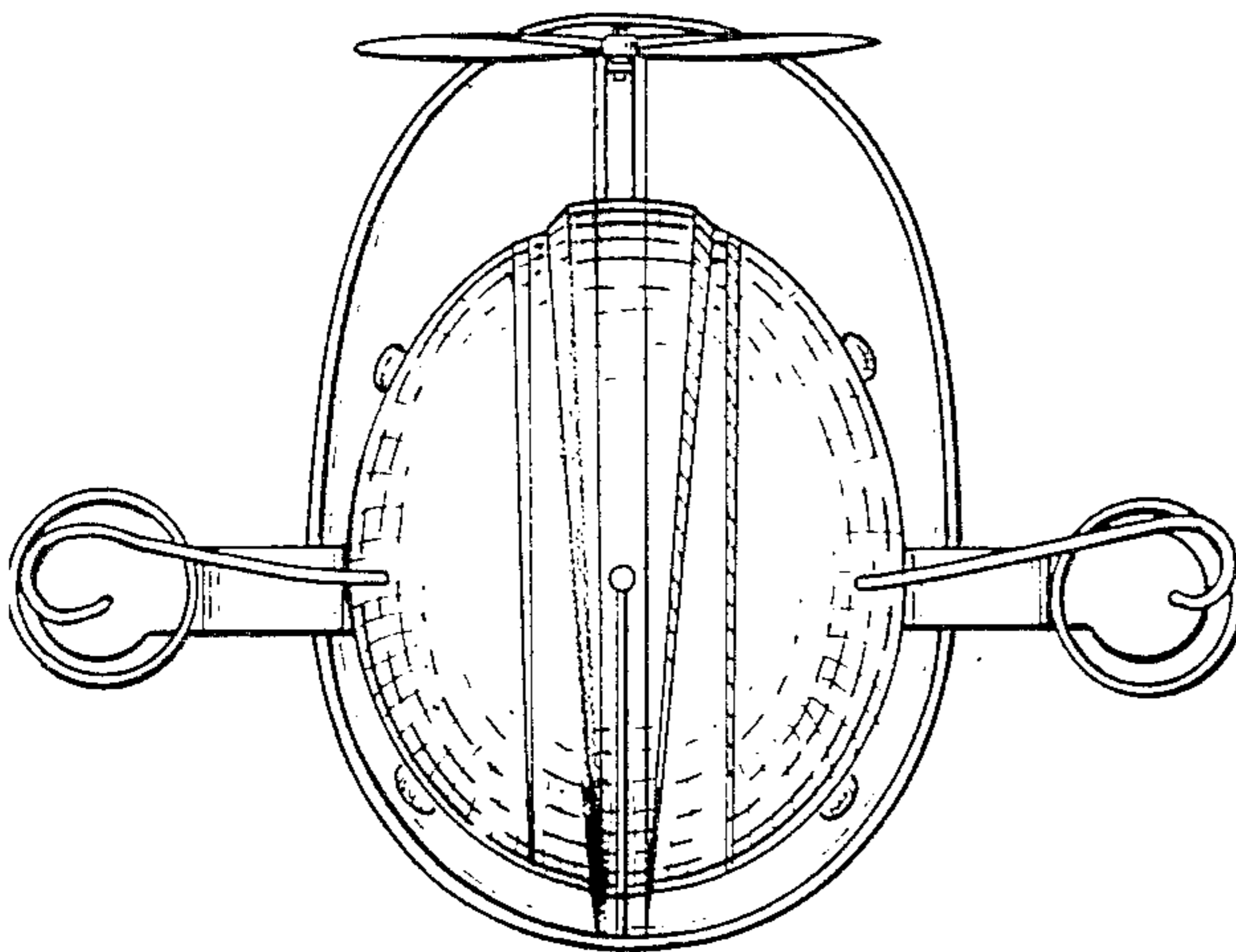


Fig.4



Fig_5

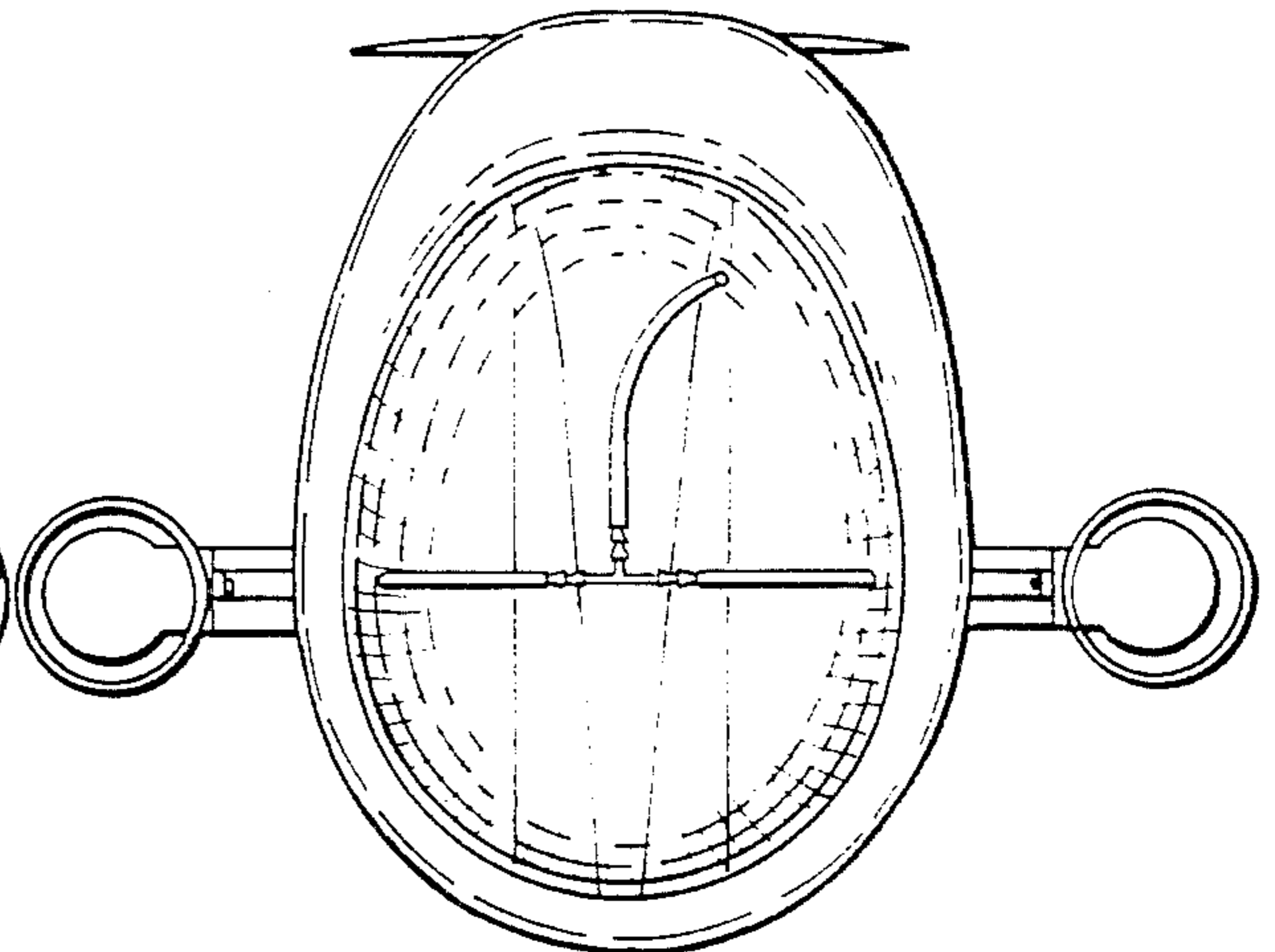


Fig.6