

[54] PALLET

3,759,194 9/1973 Fujii et al. 108/51.1

[75] Inventors: Ernst Kero; Erik Gustafsson, both of Luleå, Sweden

FOREIGN PATENT DOCUMENTS

1310898 3/1973 United Kingdom 108/57.1

[73] Assignee: Plannja AB, Sweden

Primary Examiner—James M. Gandy
Attorney, Agent, or Firm—Burns, Doane, Swecker & Mathis

[**] Term: 14 Years

[21] Appl. No.: 521,660

[22] Filed: Aug. 10, 1983

[57] CLAIM

The ornamental design for a pallet, as shown and described.

[30] Foreign Application Priority Data

Feb. 15, 1983 [SE] Sweden 83-0404

DESCRIPTION

[52] U.S. Cl. D34/38

[58] Field of Search D34/38; 108/51.1, 52.1, 108/53.1, 55.3, 57.1

FIG. 1 is a front perspective view of the pallet showing our new design;

FIG. 2 is a bottom perspective view thereof; and

FIG. 3 is a left side perspective view thereof.

The back and right side are not illustrated since they are substantially identical to the front and left side, respectively.

[56] References Cited

U.S. PATENT DOCUMENTS

3,603,272 9/1971 Ditges 108/51.1

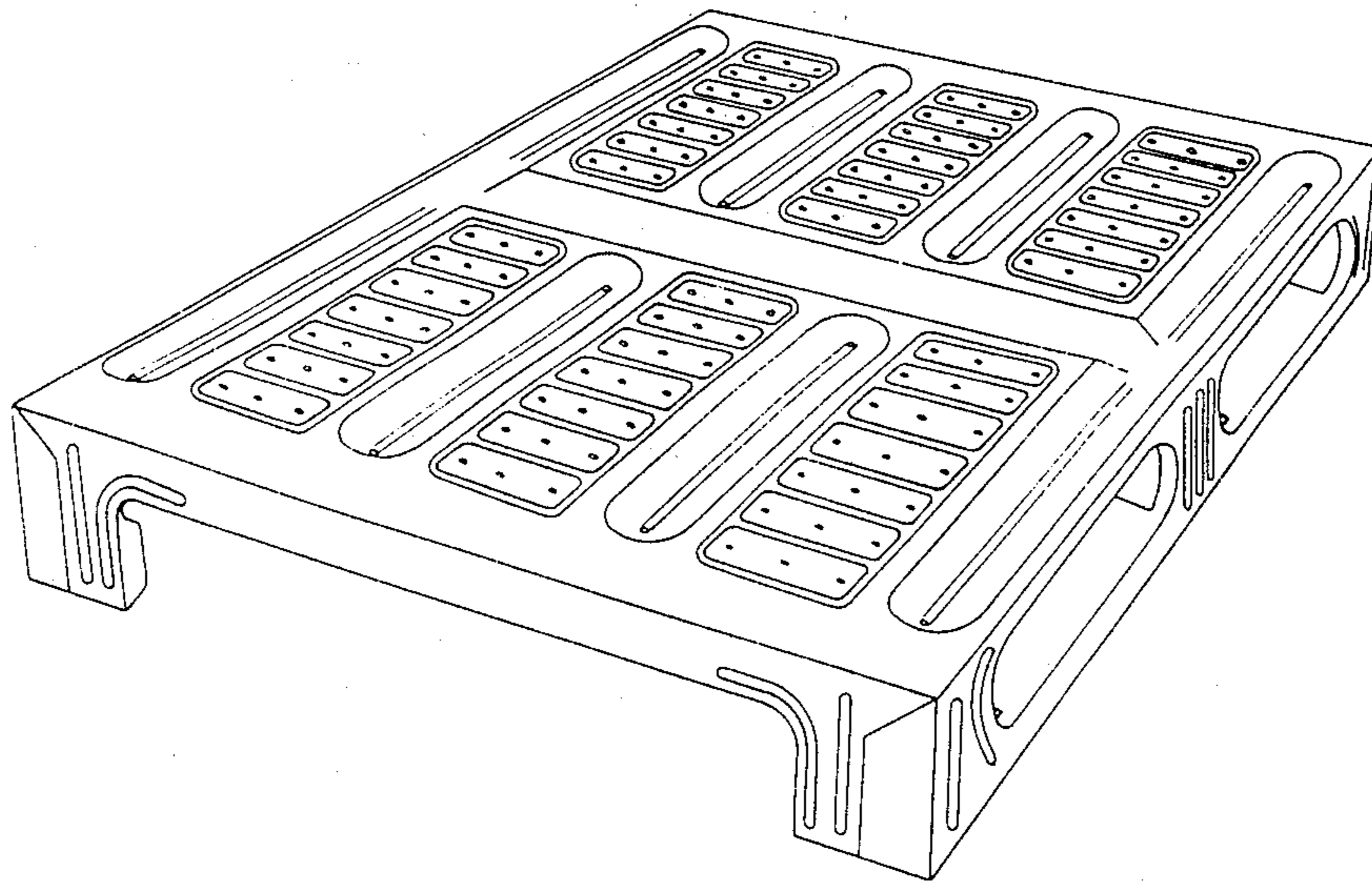


FIG. 1

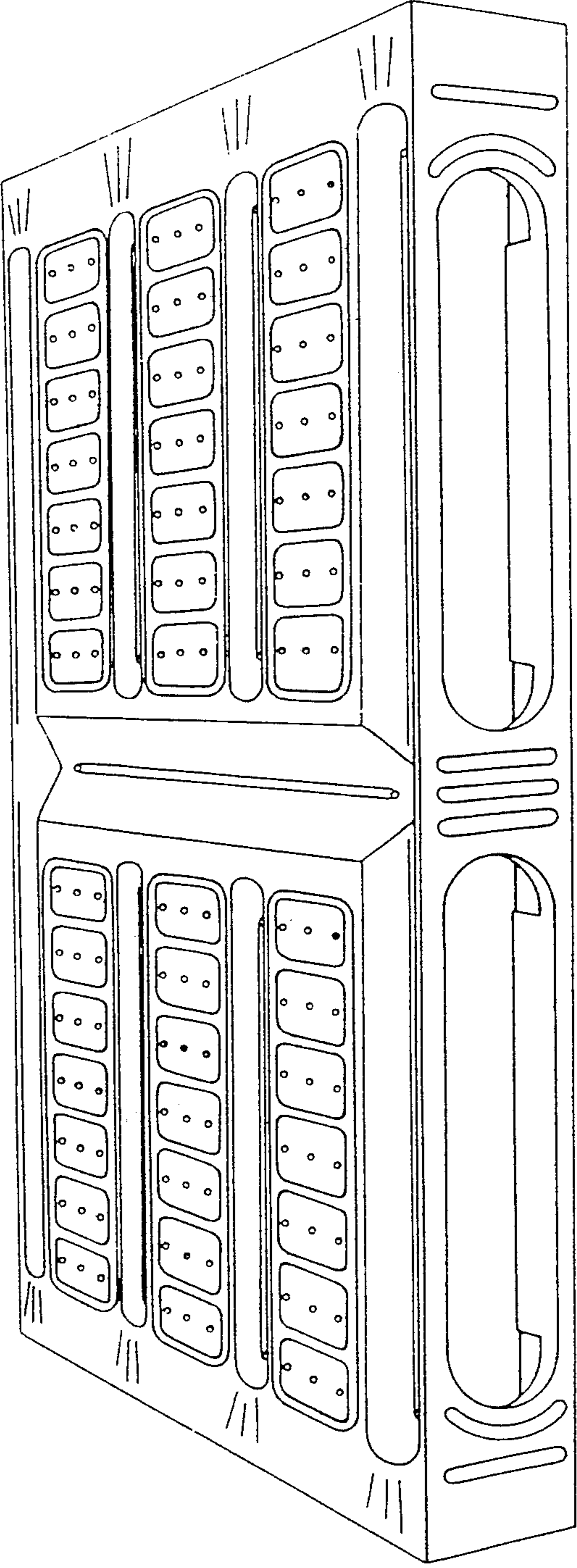


FIG. 2

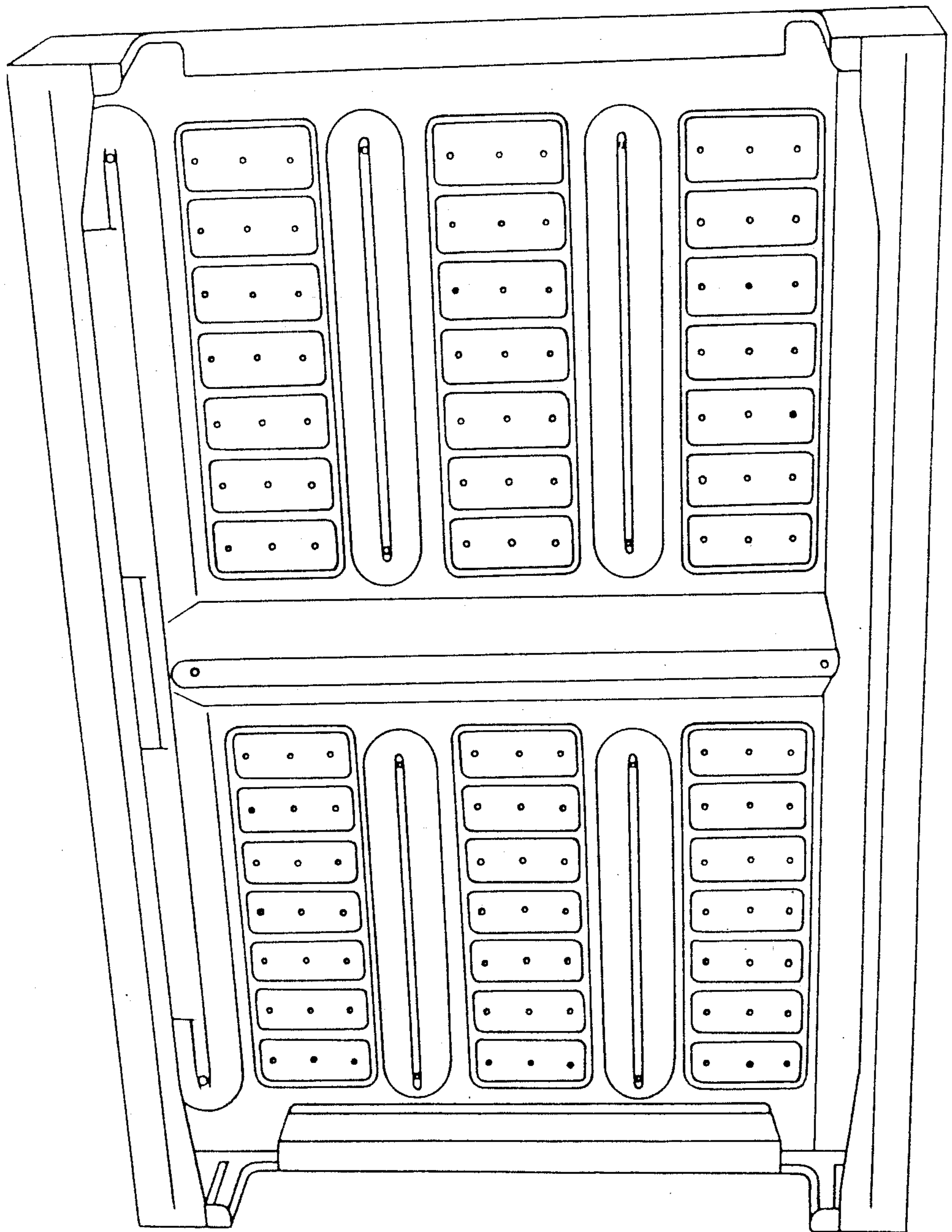


FIG. 3

