

[54] **BIN LOADING CONVEYOR VEHICLE**

[75] **Inventor: Richard W. Brandt, Yuba City, Calif.**

[73] **Assignee: Orchard Machinery Corporation,  
Yuba City, Calif.**

[\*\*] **Term: 14 Years**

[21] **Appl. No.: 468,146**

[22] **Filed: Feb. 22, 1983**

[52] **U.S. Cl. .... D34/29**

[58] **Field of Search ..... D34/29; 414/499, 505,  
414/507, 529, 537**

[56]

**References Cited**

**U.S. PATENT DOCUMENTS**

3,679,081 7/1972 Duncan, Jr. .... 414/499

*Primary Examiner*—James M. Gandy

[57]

**CLAIM**

The ornamental design for a bin loading conveyor vehicle, as shown.

**DESCRIPTION**

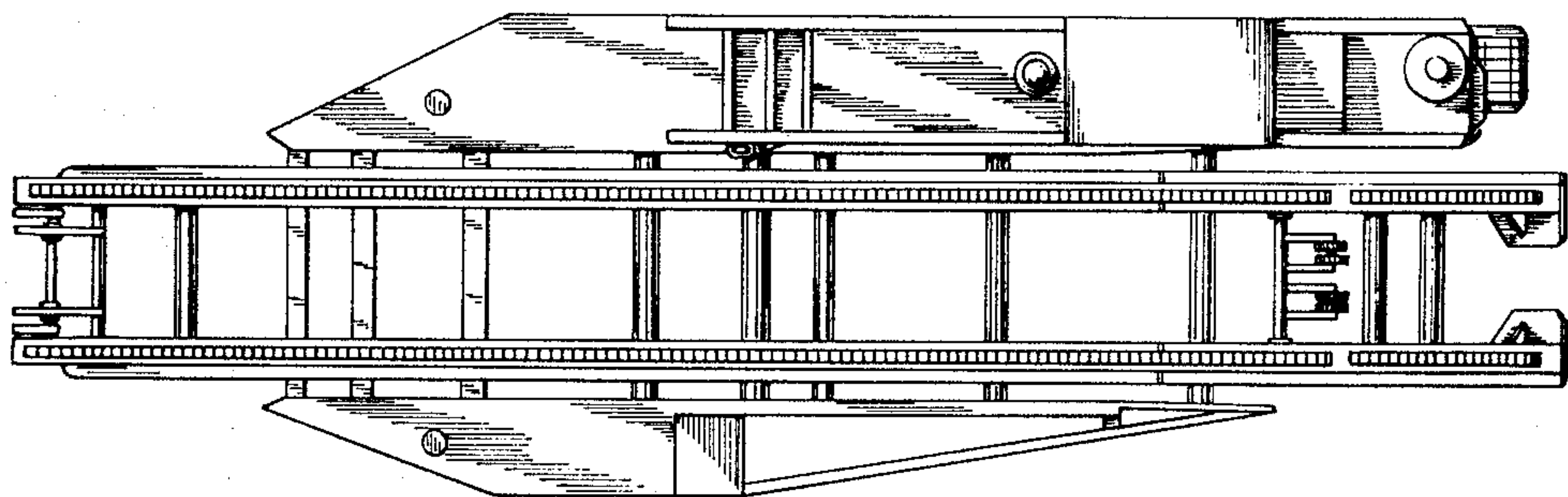
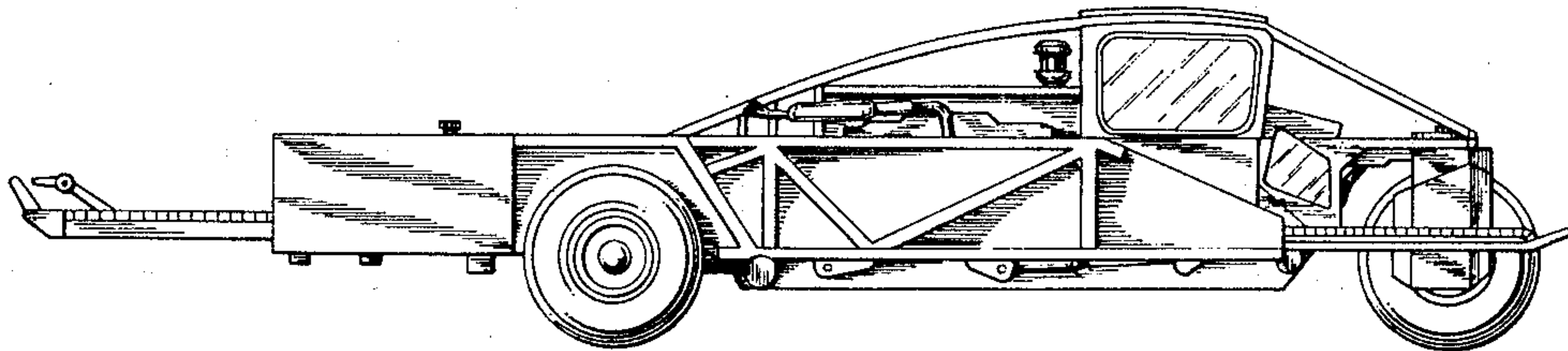
FIG. 1 is a left side elevational view of a bin loading conveyor vehicle showing my new design.

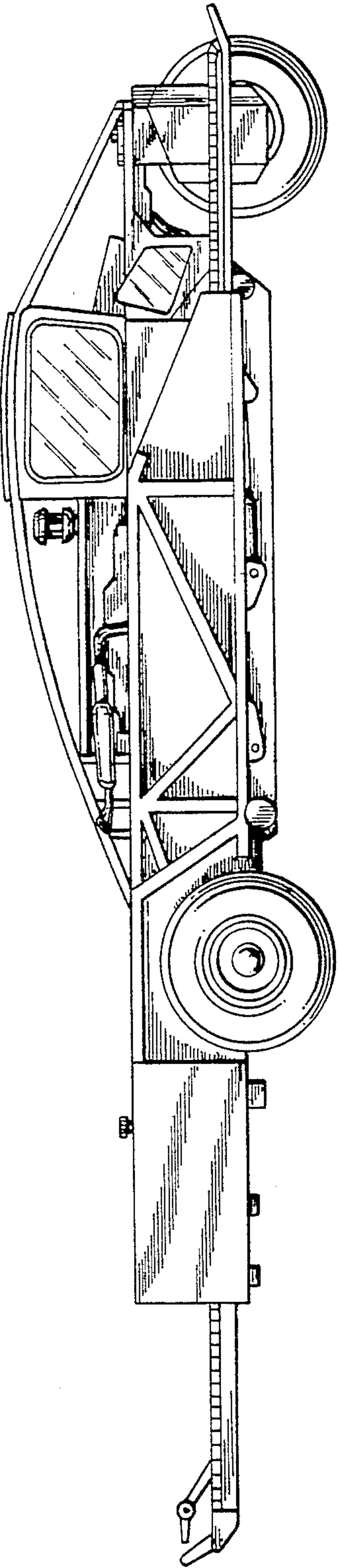
FIG. 2 is a top plan view thereof.

FIG. 3 is a right side elevational view thereof.

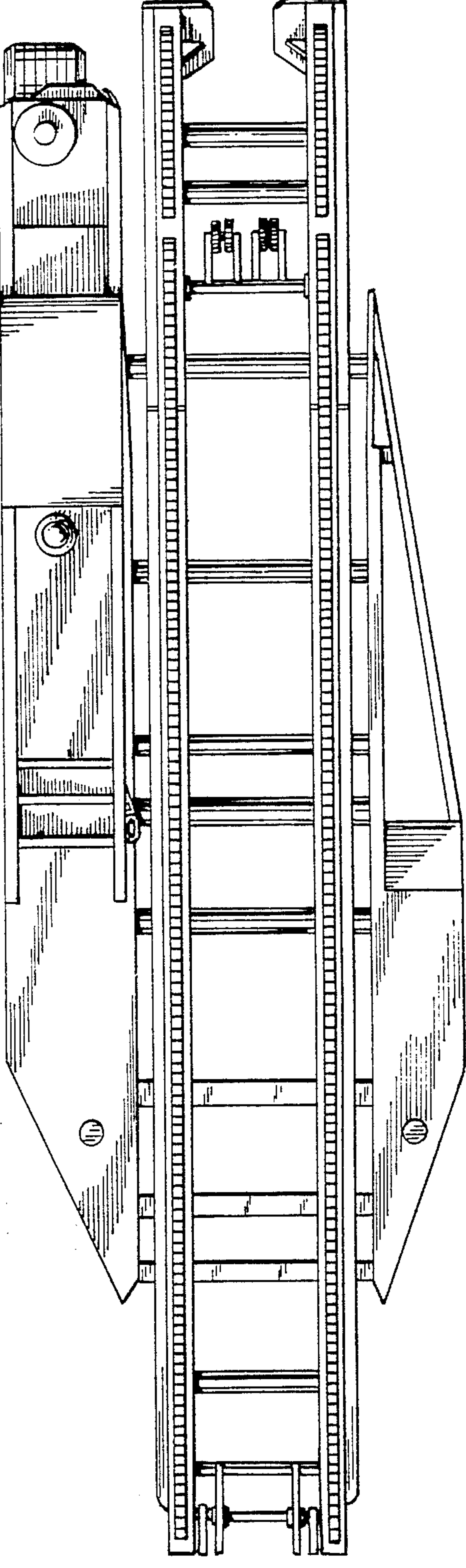
FIG. 4 is a front elevational view thereof.

FIG. 5 is a rear elevational view thereof.

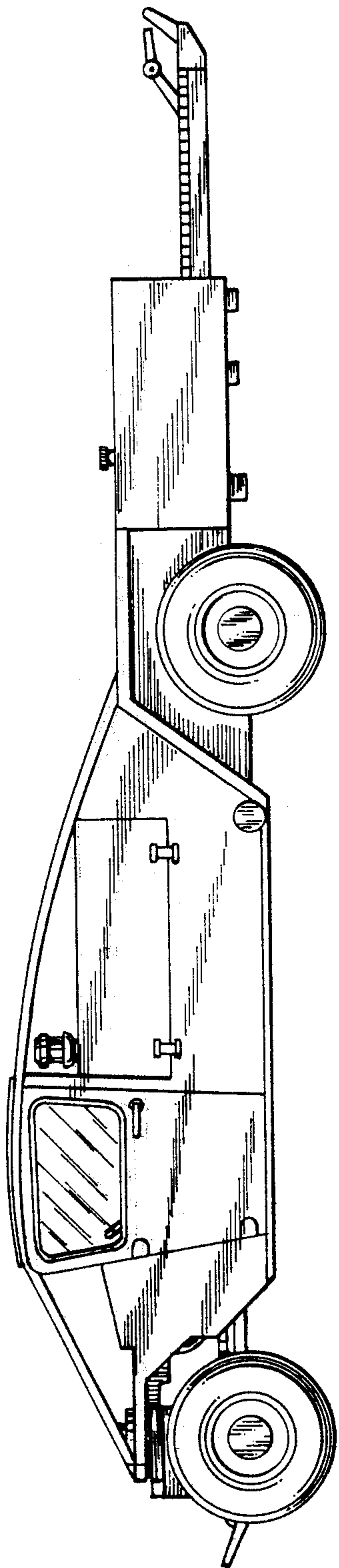




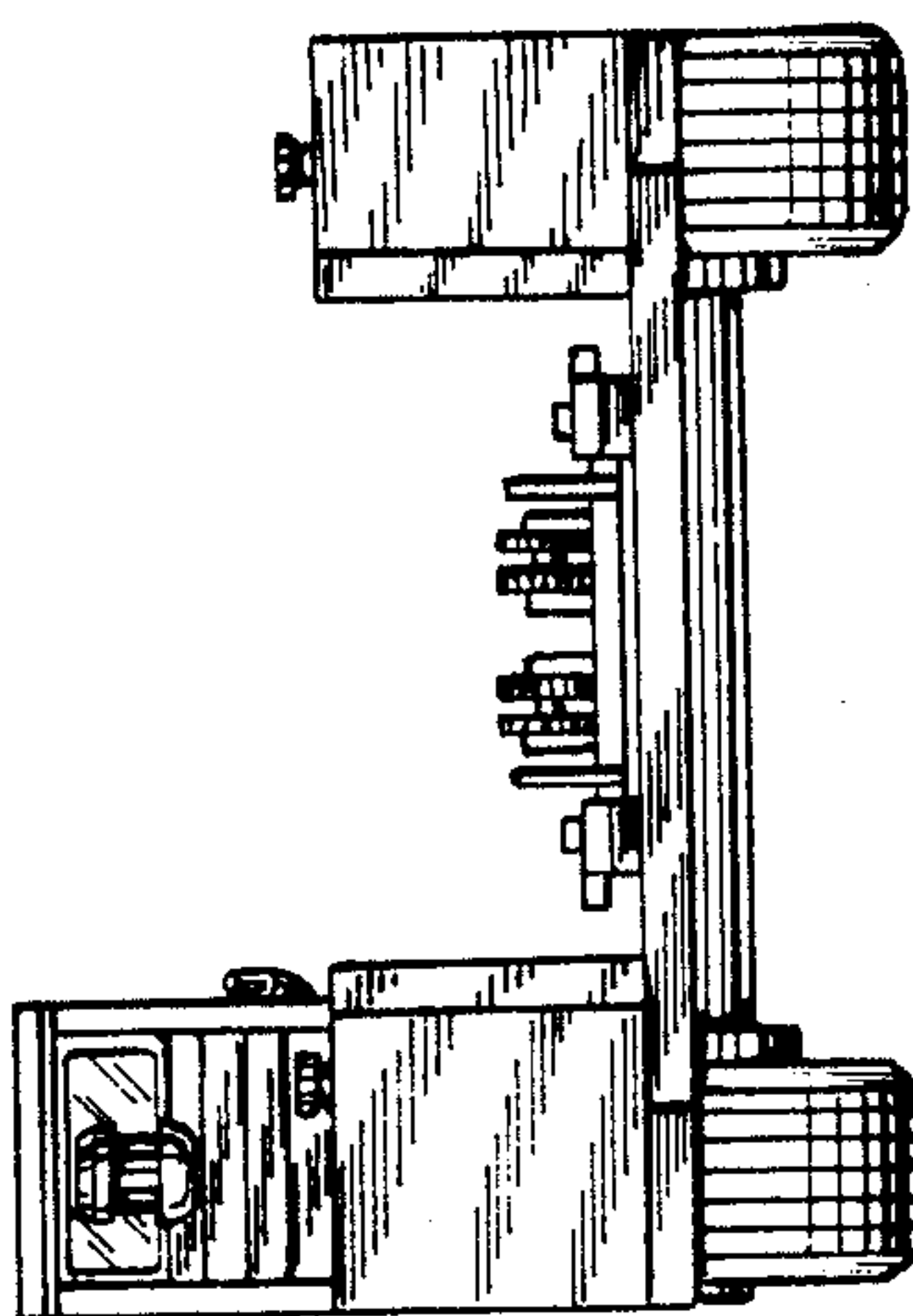
*Fig. 1*



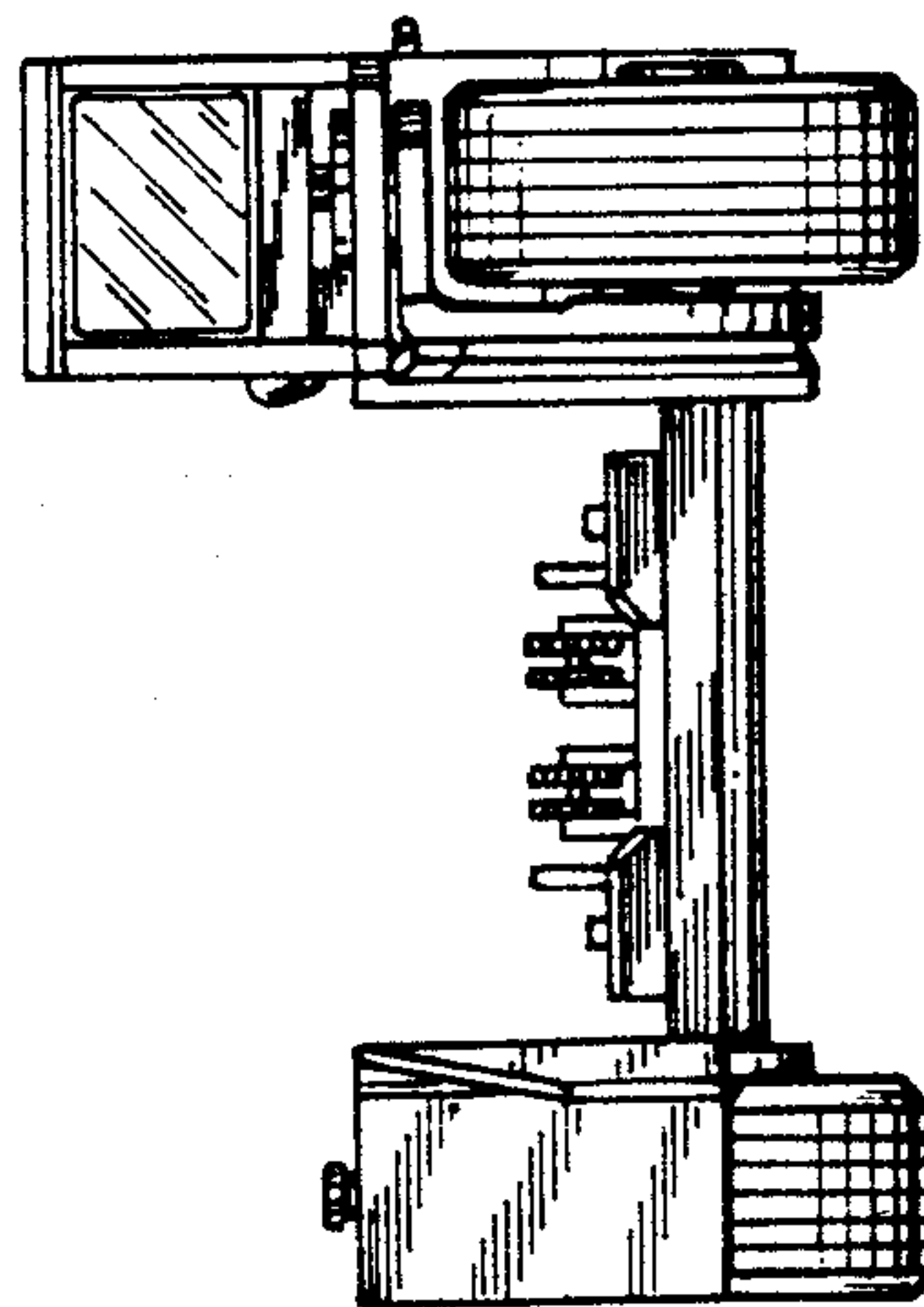
*Fig. 2*



**Fig. 3**



**Fig. 5**



**Fig. 4**