

[54] DOG LITTER SCOOP

[76] Inventor: Helen Kline, 1307 Farr Rd., Reading, Pa. 19611

[\*\*] Term: 14 Years

[21] Appl. No.: 457,288

[22] Filed: Jan. 12, 1983

[52] U.S. Cl. .... D30/99

[58] Field of Search ..... D30/99; 294/1 B, 1 BA, 294/1 BB, 55

3,861,730	1/1975	Ringo .....	294/1 BA X
3,879,079	4/1975	Nicholas .....	294/1 BA
3,910,619	10/1975	Schmieler .....	294/1 BA
3,977,422	8/1976	Cabaluna .....	294/1 BA
4,005,892	2/1977	Williams .....	294/1 BA
4,316,627	2/1982	Solypa .....	294/1 BA
4,368,907	1/1983	Ross .....	294/1 BA

Primary Examiner—James R. Largen  
Attorney, Agent, or Firm—William J. Ruano

[57] CLAIM

The ornamental design for a dog litter scoop, as shown.

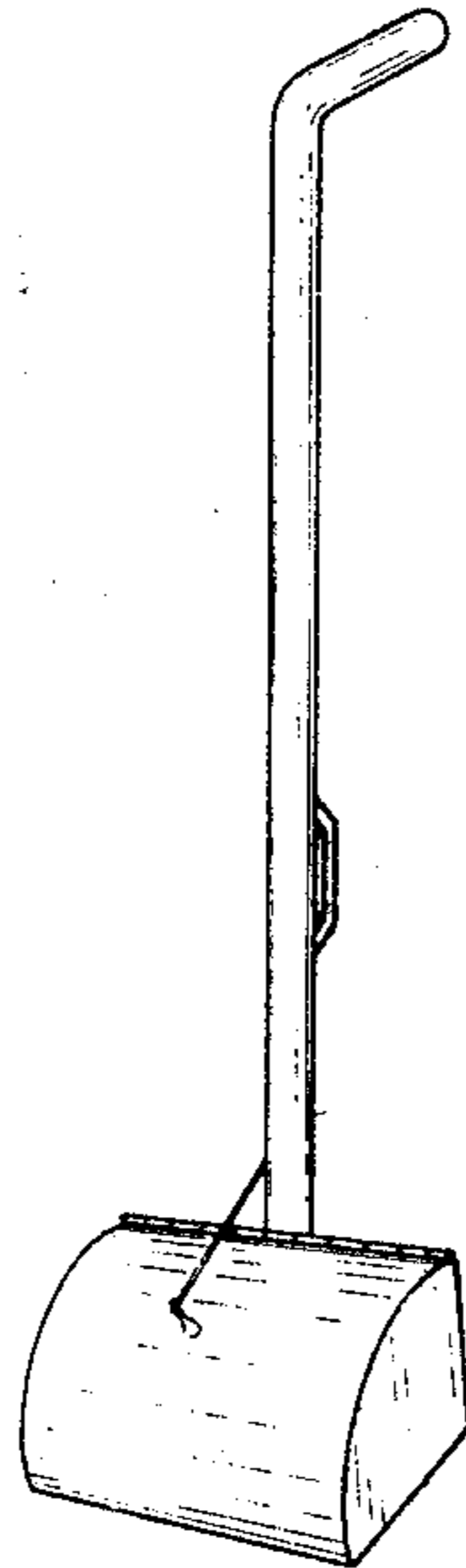
DESCRIPTION

FIG. 1 is a perspective view taken from the front and right side of a dog litter scoop showing my new design; FIG. 2 is an enlarged left side elevational view thereof. FIG. 3 is a rear view thereof.

[56] References Cited

U.S. PATENT DOCUMENTS

D. 230,868	3/1974	Dorzan .....	D30/99
3,799,598	3/1974	Lavaggi .....	294/1 BA



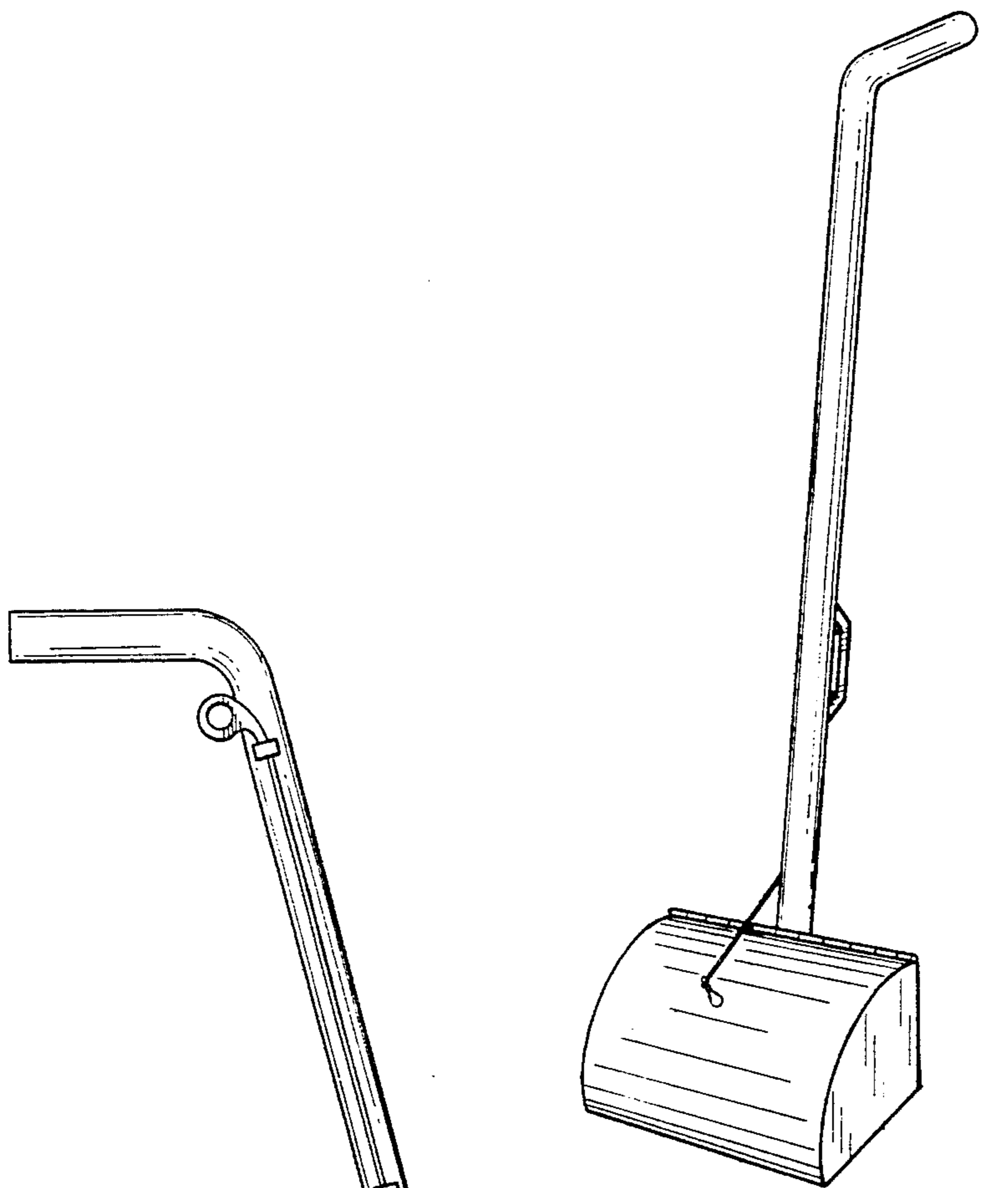


Fig. 1

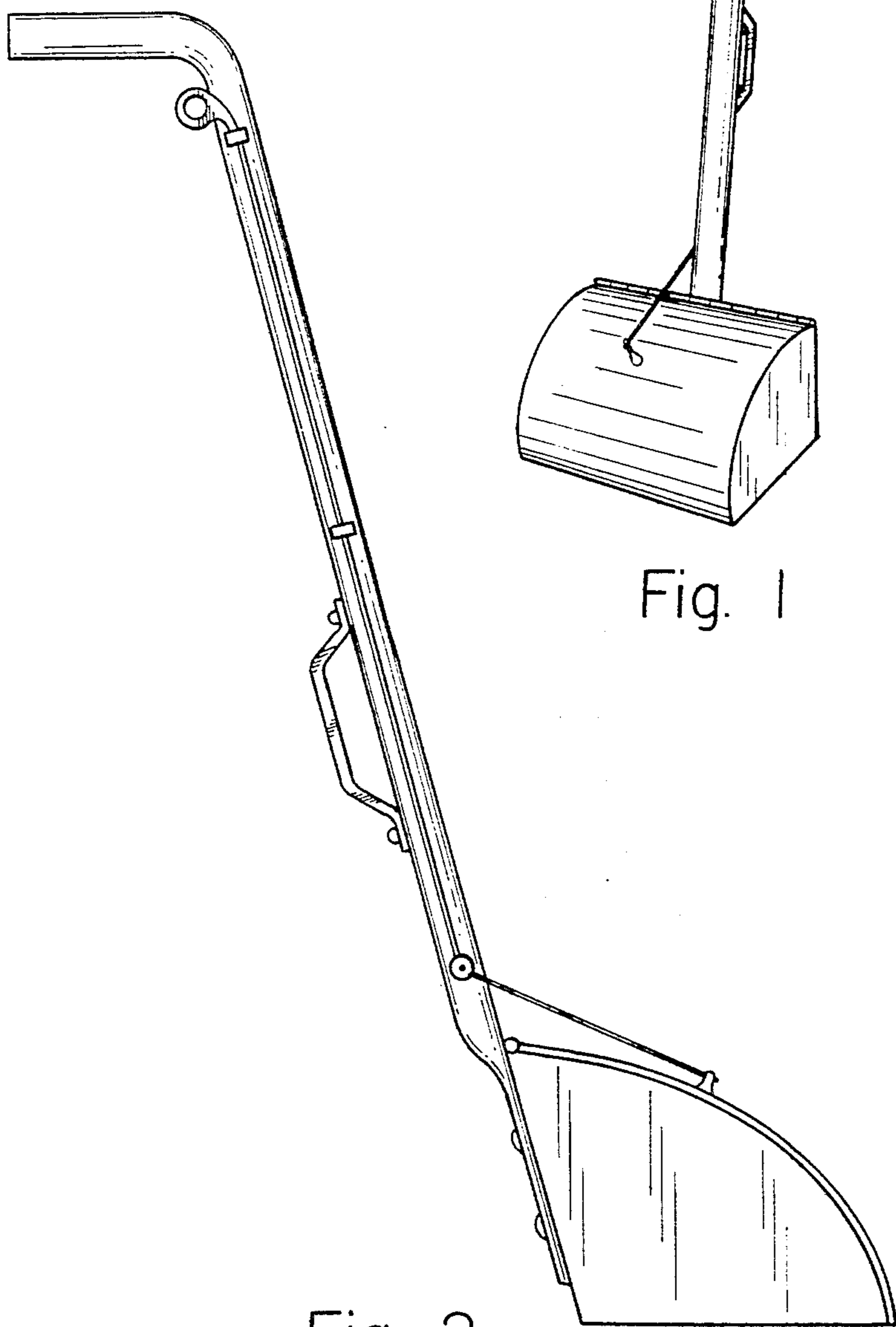
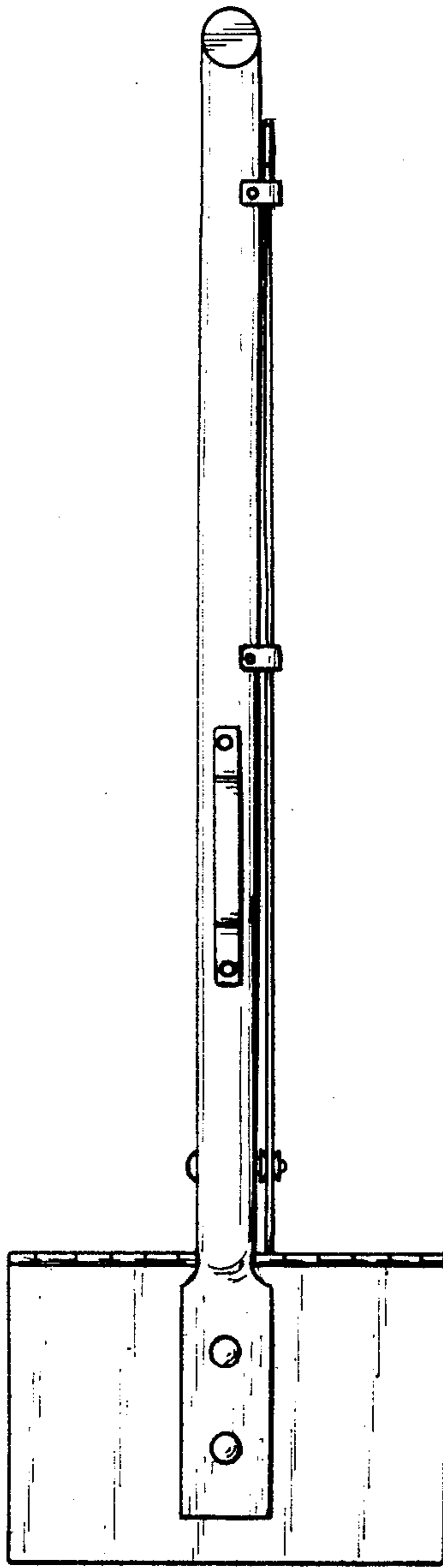


Fig. 2



*Fig.3*