

[54] **ELECTRONIC HAIR DRYER**
[75] **Inventor: Benjamin H. Stansbury, Jr., Beverly Hills, Calif.**
[73] **Assignee: Redken Laboratories, Inc., Canoga Park, Calif.**
[**] **Term: 14 Years**
[21] **Appl. No.: 603,098**
[22] **Filed: Apr. 23, 1984**
[52] **U.S. Cl. D28/13**
[58] **Field of Search D28/9, 10, 12, 13, 15-18; 219/222; 34/96-101; 132/9**

D. 268,370 3/1983 McBrien D28/13
D. 277,613 2/1985 Rittenhouse D28/13

OTHER PUBLICATIONS

Modern Salon, 9/1982, p. 31-Fortex Tornado Dryer.
Modern Salon, 5/1983, p. 15-Redken Hair Dryer.

Primary Examiner—Louis S. Zarfes
Attorney, Agent, or Firm—Christie, Parker & Hale

[57] **CLAIM**

The ornamental design for electronic hair dryer, substantially as shown and described.

DESCRIPTION

FIG. 1 is a perspective view of a hair dryer showing my new design;
FIG. 2 is a right side elevational view thereof;
FIG. 3 is a left end elevational view thereof;
FIG. 4 is a right end elevational view thereof;
FIG. 5 is a top plan view thereof; and
FIG. 6 is a bottom plan view thereof.

[56] **References Cited**
U.S. PATENT DOCUMENTS
D. 265,767 8/1982 Stewart et al. D28/13
D. 268,290 3/1983 McBrien D28/13
D. 268,369 3/1983 McBrien D28/13

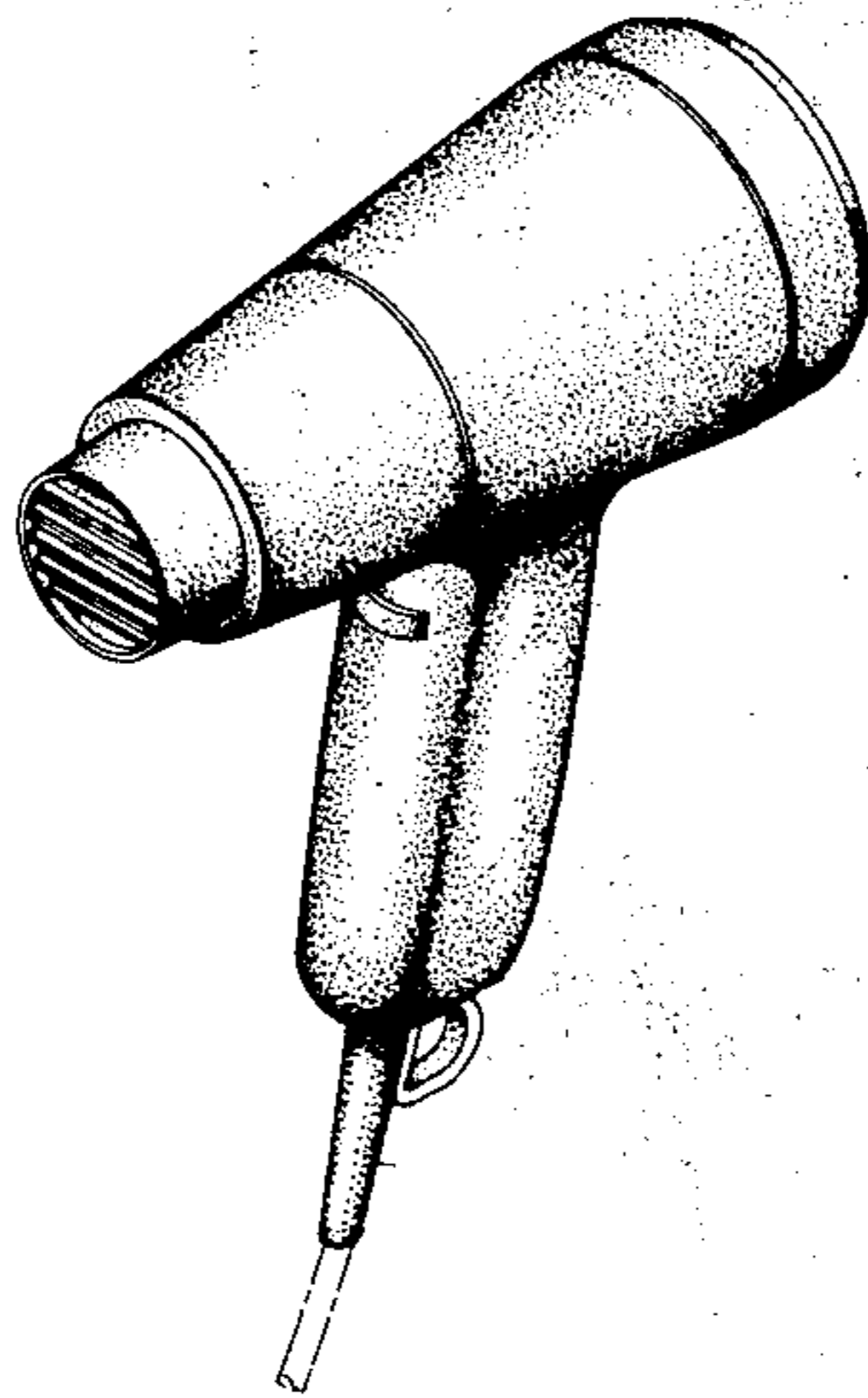


Fig. 1

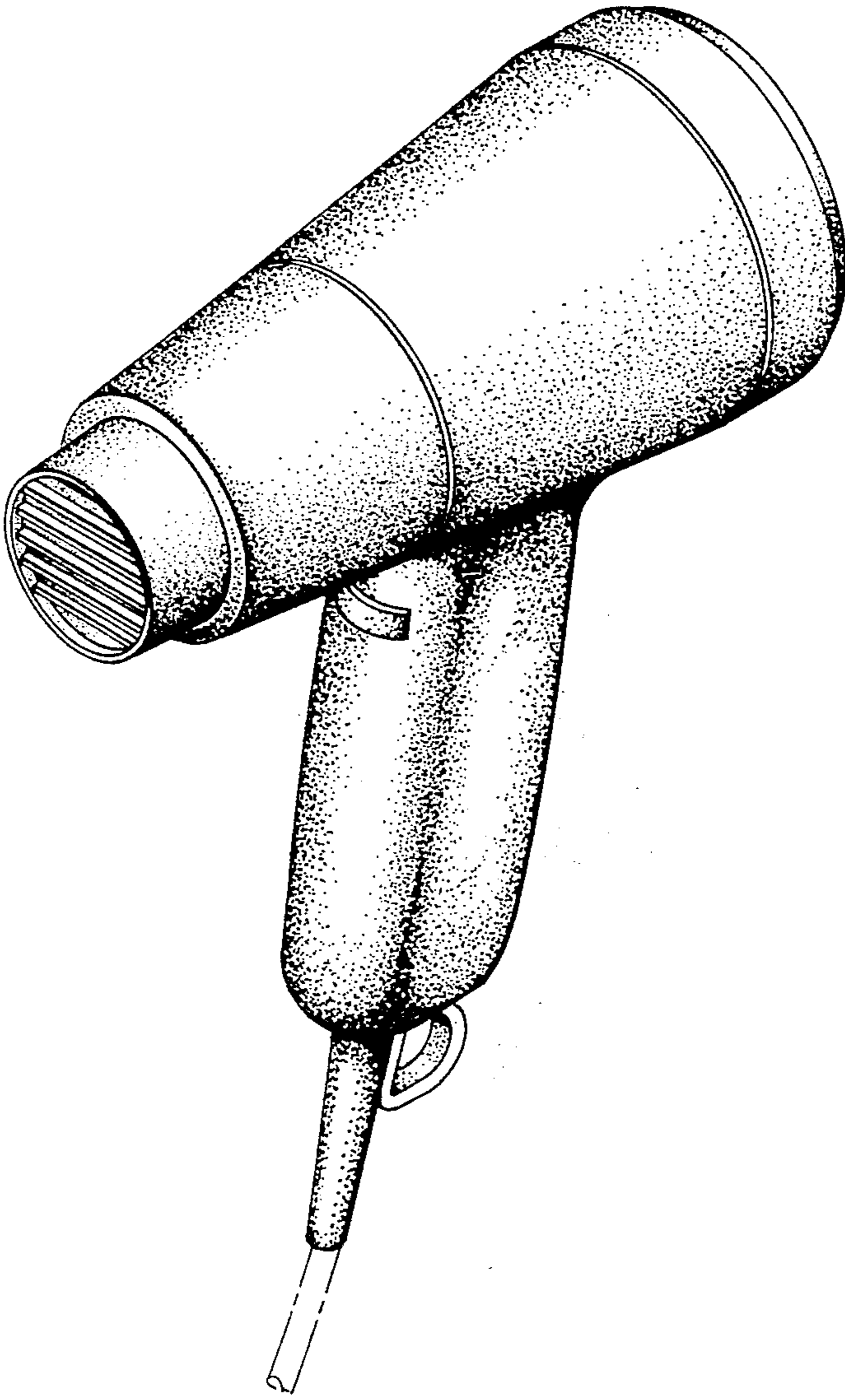


Fig. 2

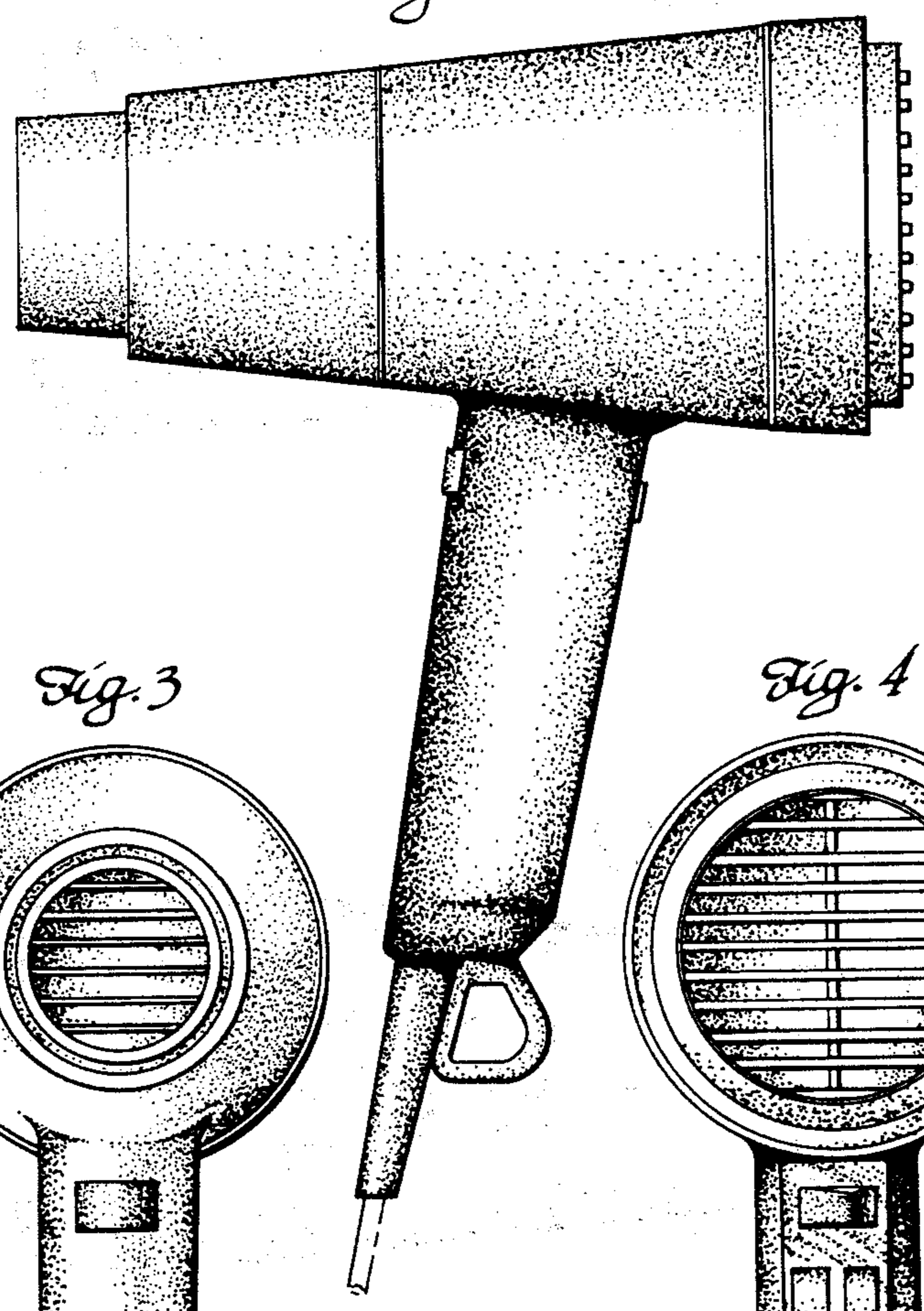


Fig. 3

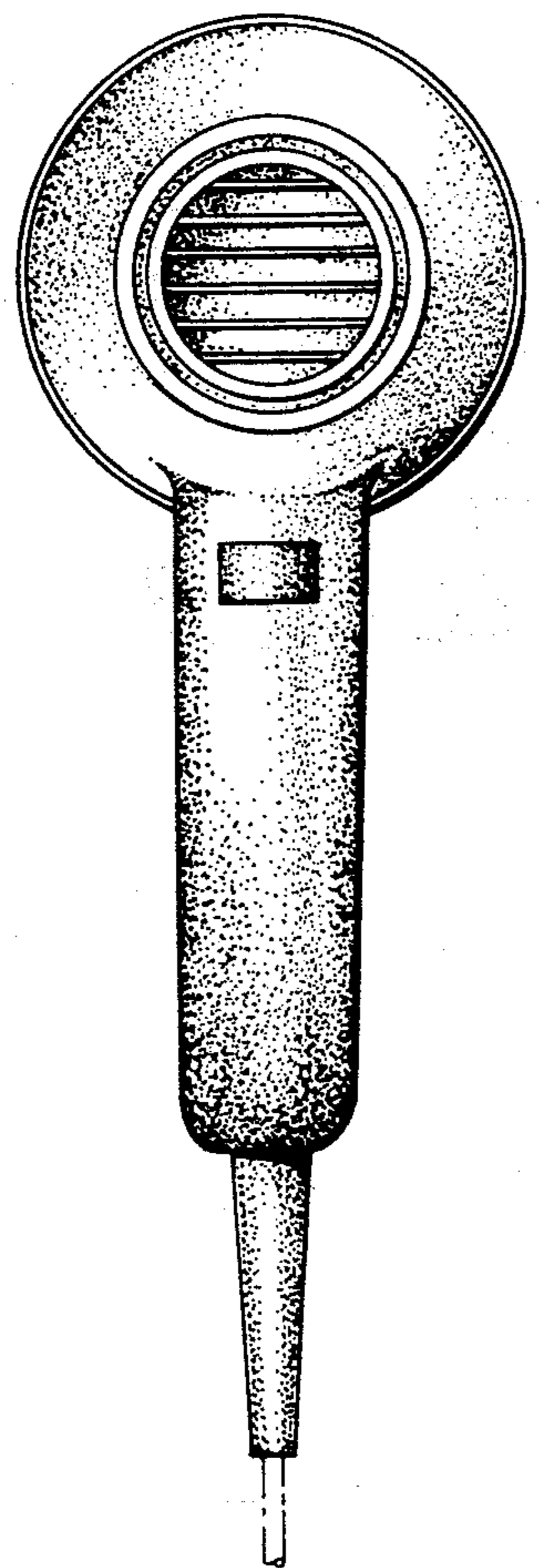


Fig. 4

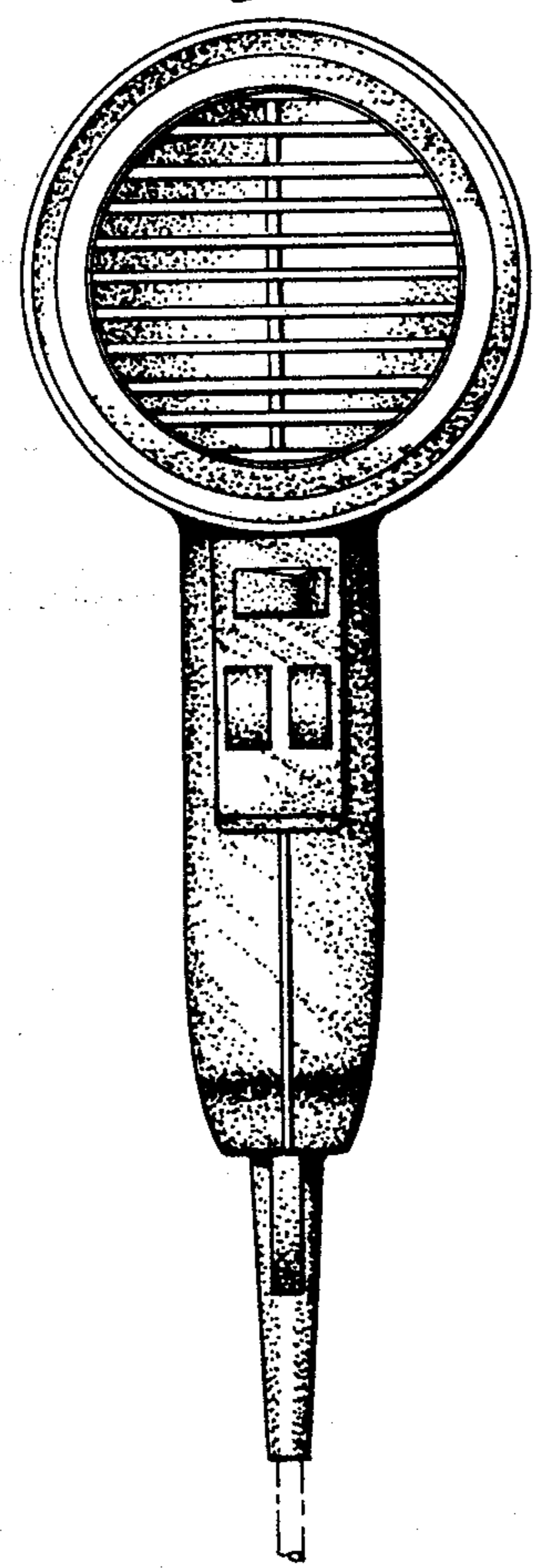


Fig. 5

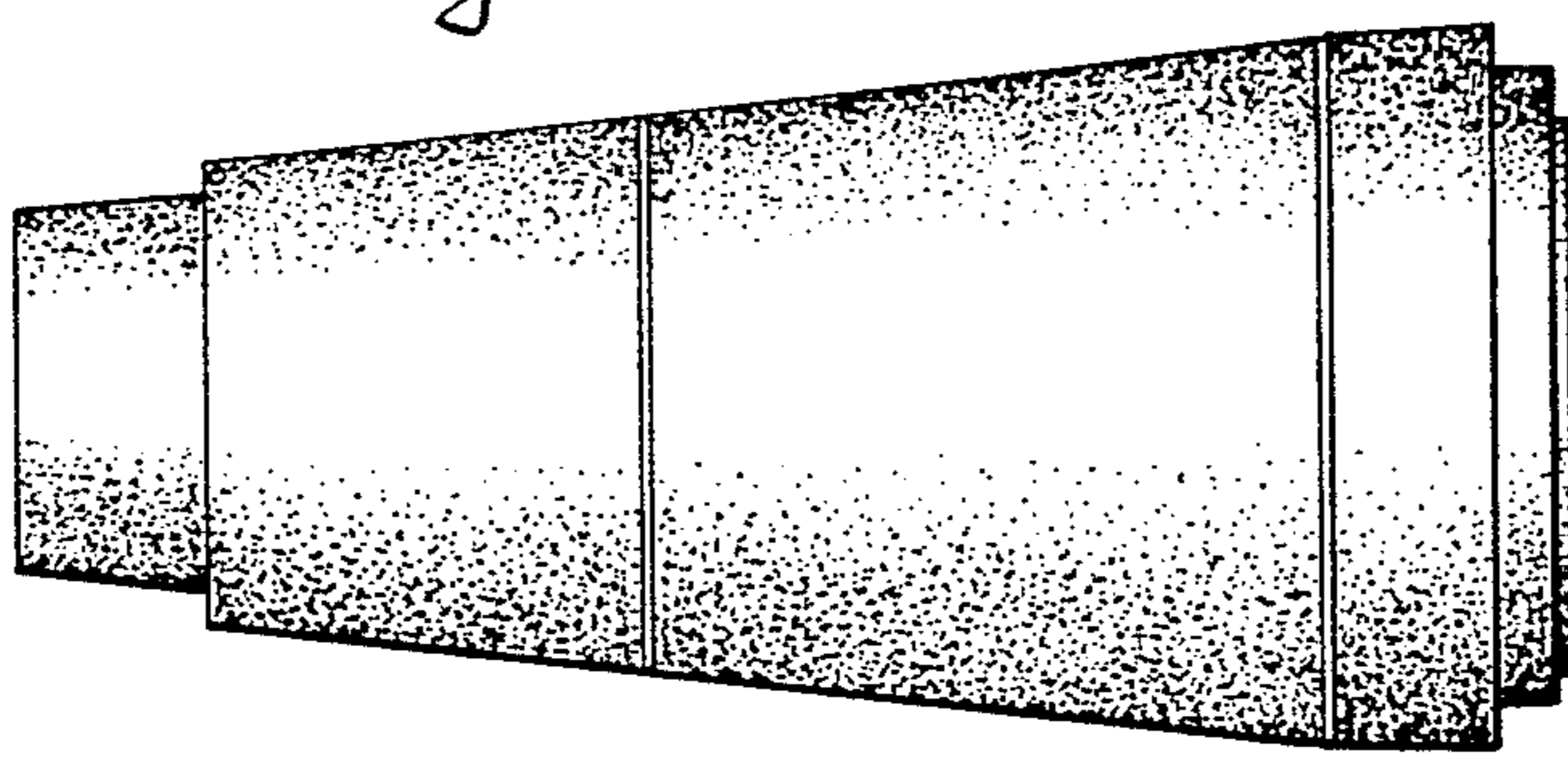


Fig. 6

