

[54] **MEETING RAIL**

[76] Inventor: **Joseph C. Bancroft**, 812 Sweetwater Blvd., Longwood, Fla. 32779

[**] Term: **14 Years**

[21] Appl. No.: **761,814**

[22] Filed: **Aug. 2, 1985**

[52] U.S. Cl. **D25/74**

[58] Field of Search D25/52, 73-76;
49/419, 504, DIG. 2; 52/202

[56] **References Cited**

U.S. PATENT DOCUMENTS

D. 251,137 2/1979 Bancroft et al. D25/74
D. 251,444 3/1979 Bancroft et al. D25/74

Primary Examiner—A. Hugo Word

Attorney, Agent, or Firm—Macdonald J. Wiggins

[57] **CLAIM**

The ornamental design for a meeting rail, as shown and described.

DESCRIPTION

FIG. 1 is a fragmentary top perspective view of the meeting rail showing my design; FIG. 2 is a front elevational view thereof in which the rear view thereof is a mirror image of the front view; FIG. 3 is a left elevational view thereof broken away to indicate indeterminate length; FIG. 4 is a right elevational view thereof broken away to indicate indeterminate length; FIG. 5 is a bottom plan view thereof broken away to indicate indeterminate length; and FIG. 6 is a top plan view thereof broken away to indicate indeterminate length.

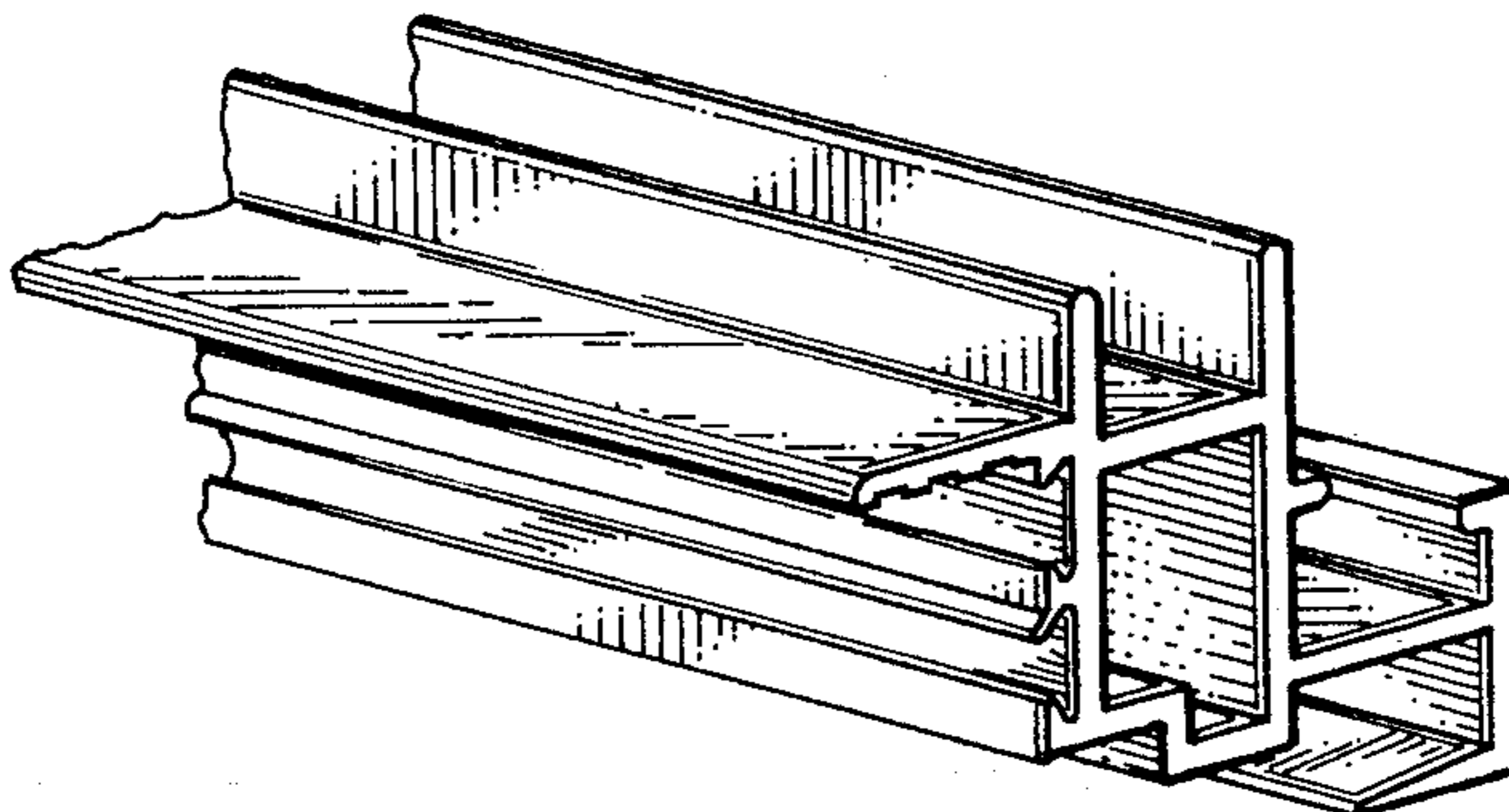


FIG. 2

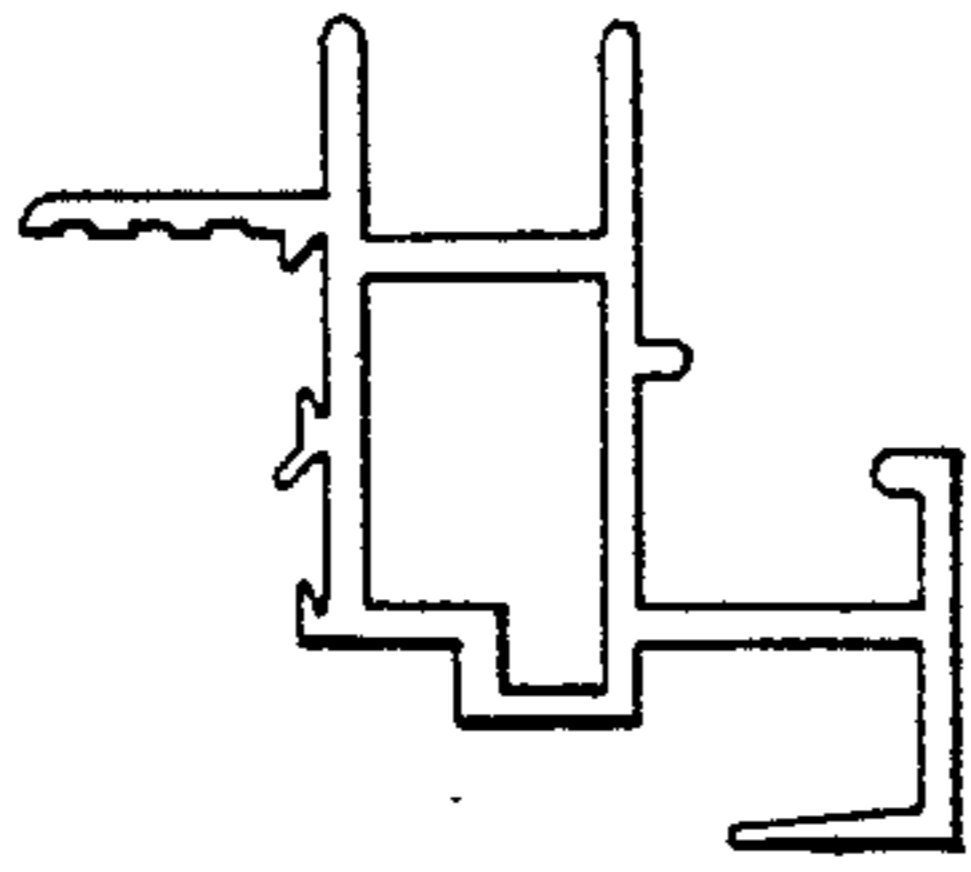


FIG. 1

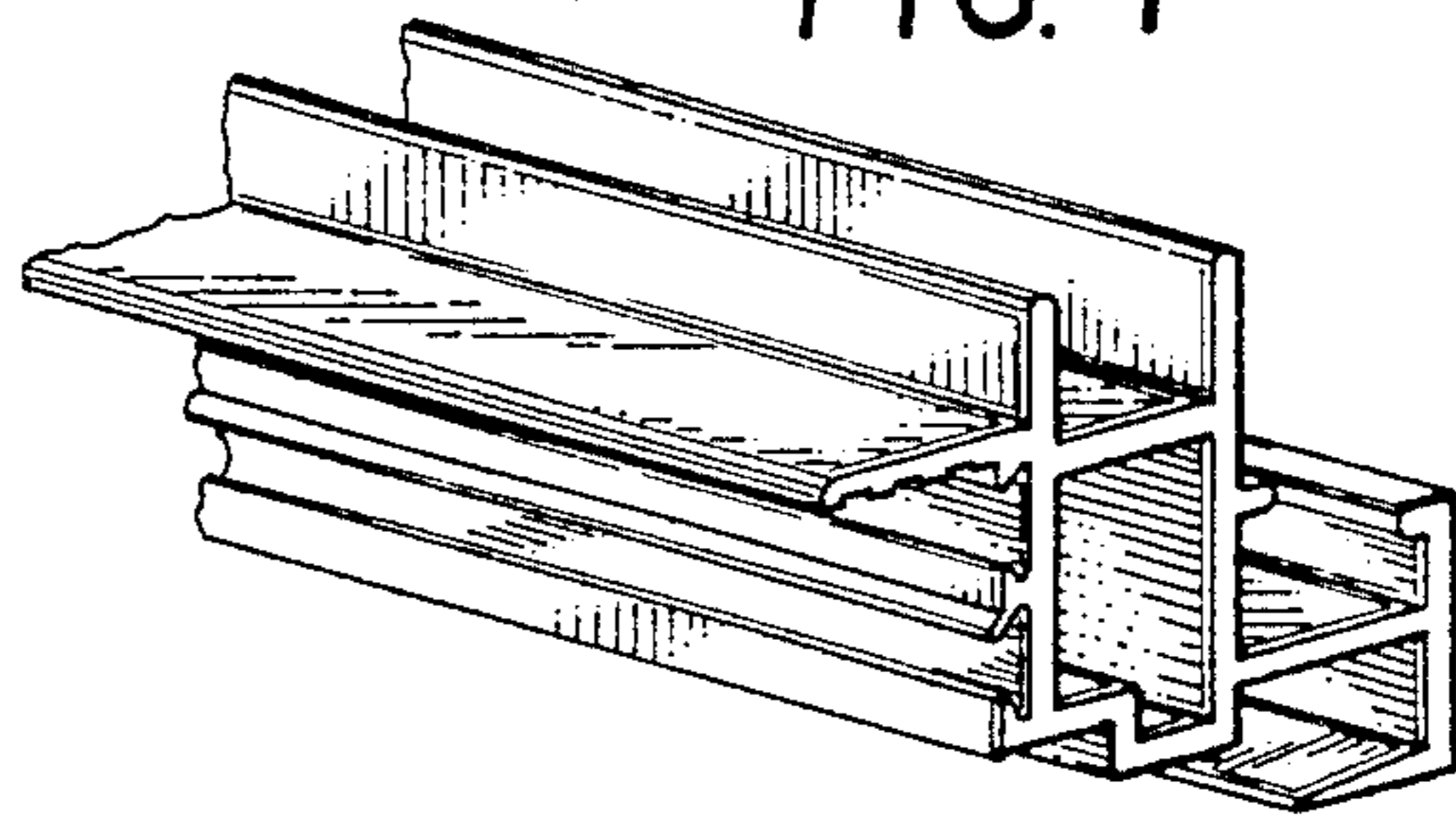


FIG. 3

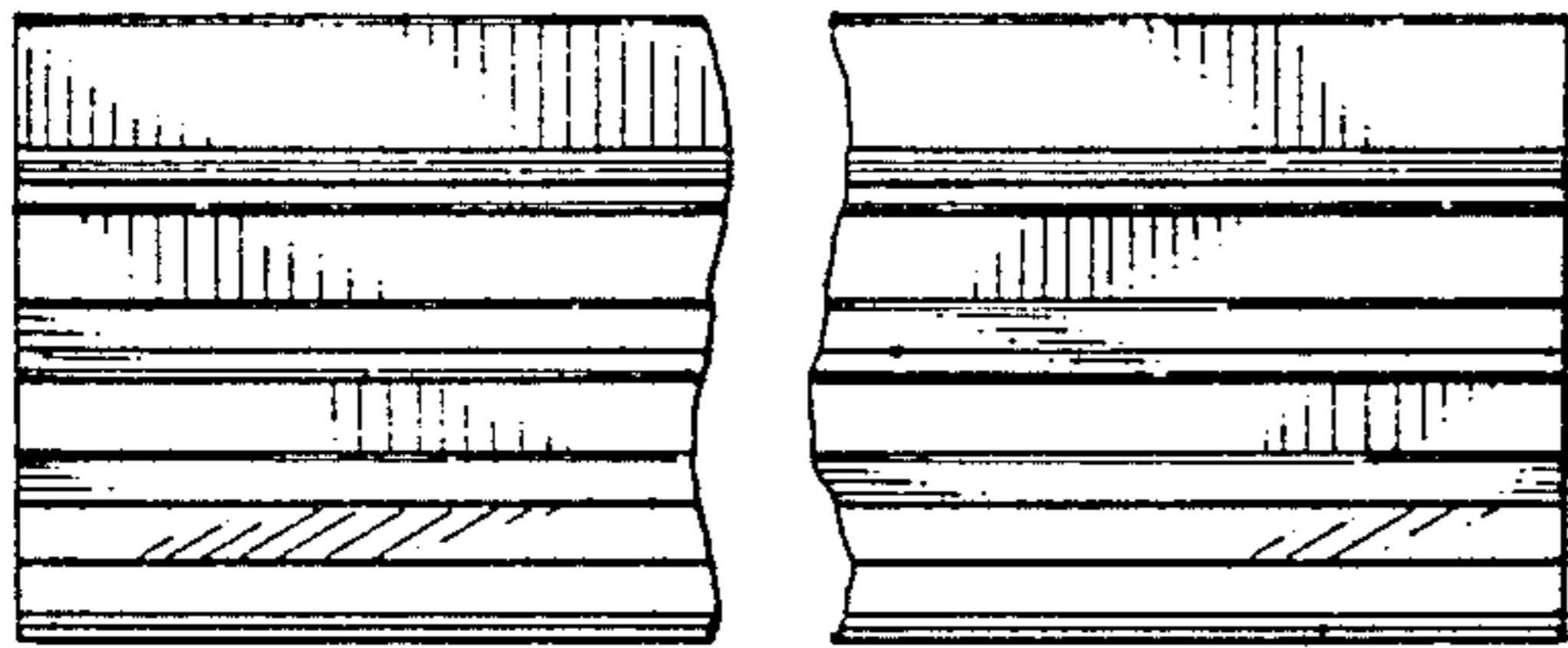


FIG. 4

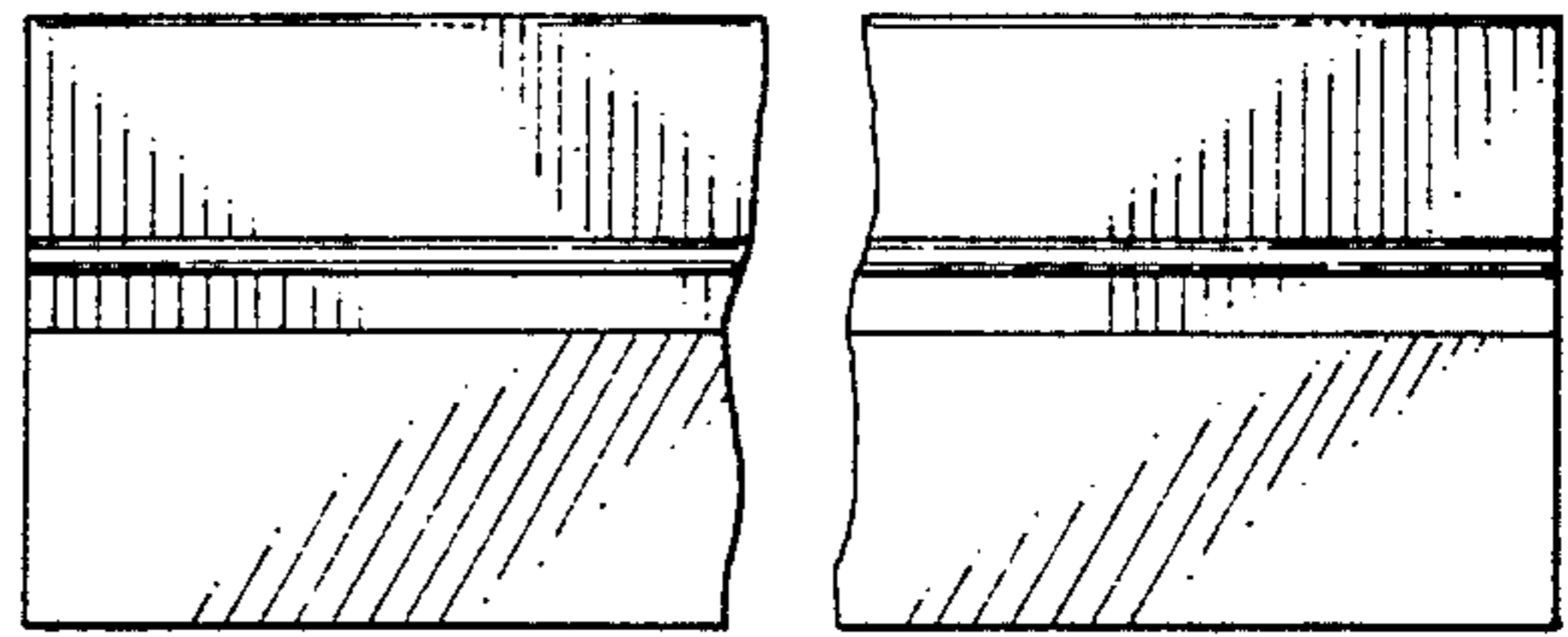


FIG. 5

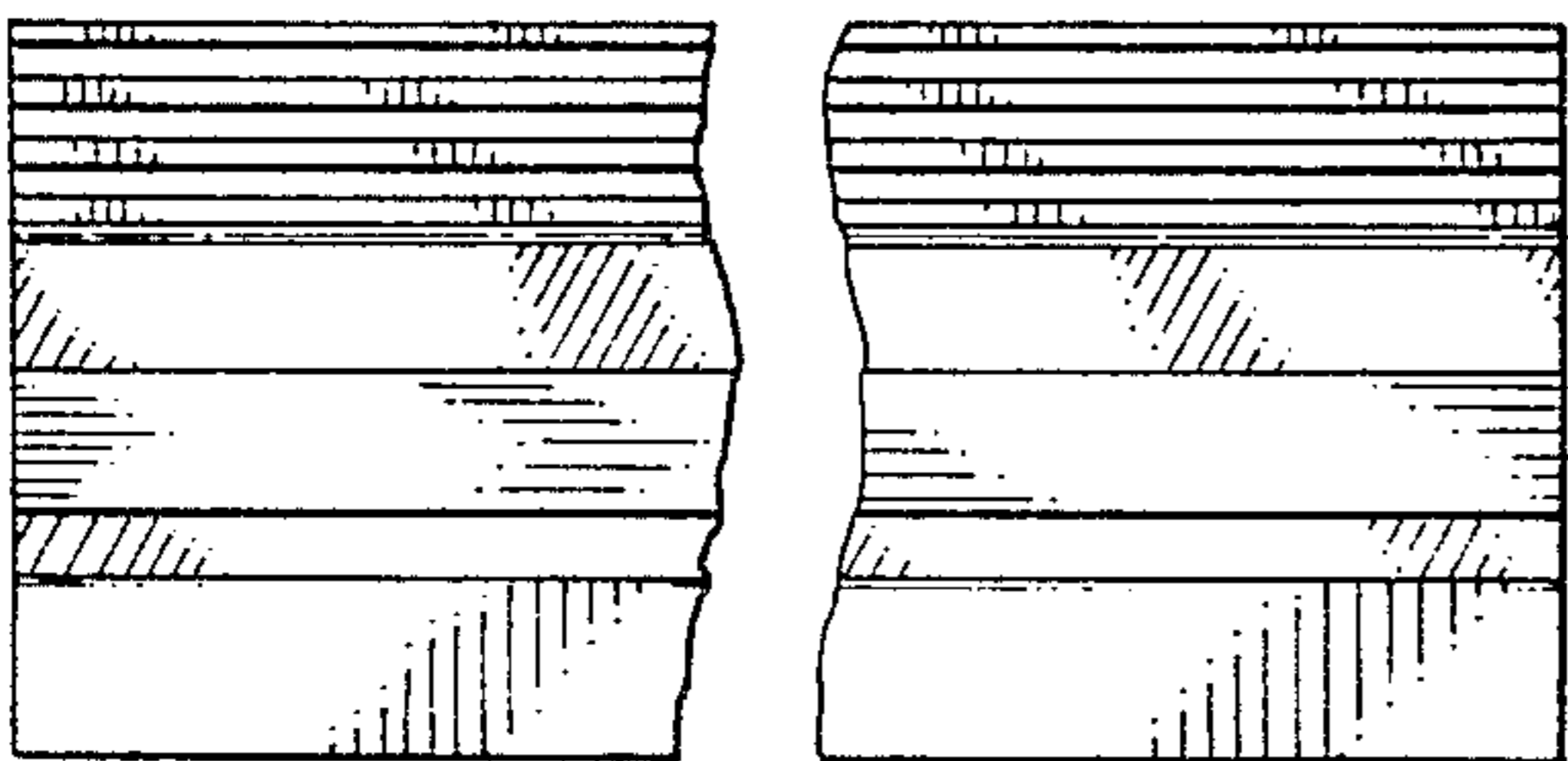


FIG. 6

