

[54] AIR EXHAUST MANIFOLD FOR CADAVER TABLE

2,912,918 11/1959 Mead 98/115.1
3,193,262 7/1965 Huffman, Jr. et al. 98/115.4

[75] Inventor: Robert J. Clark, Sacramento, Calif.

Primary Examiner—Wallace R. Burke
Assistant Examiner—Brian N. Vinson
Attorney, Agent, or Firm—Lothrop & West

[73] Assignee: Park Mechanical, Inc., Sacramento, Calif.

[**] Term: 14 Years

[57] CLAIM

The ornamental design for an air exhaust manifold for cadaver table, as shown and described.

[21] Appl. No.: 542,330

DESCRIPTION

[22] Filed: Oct. 17, 1983

[52] U.S. Cl. D23/151; D23/167

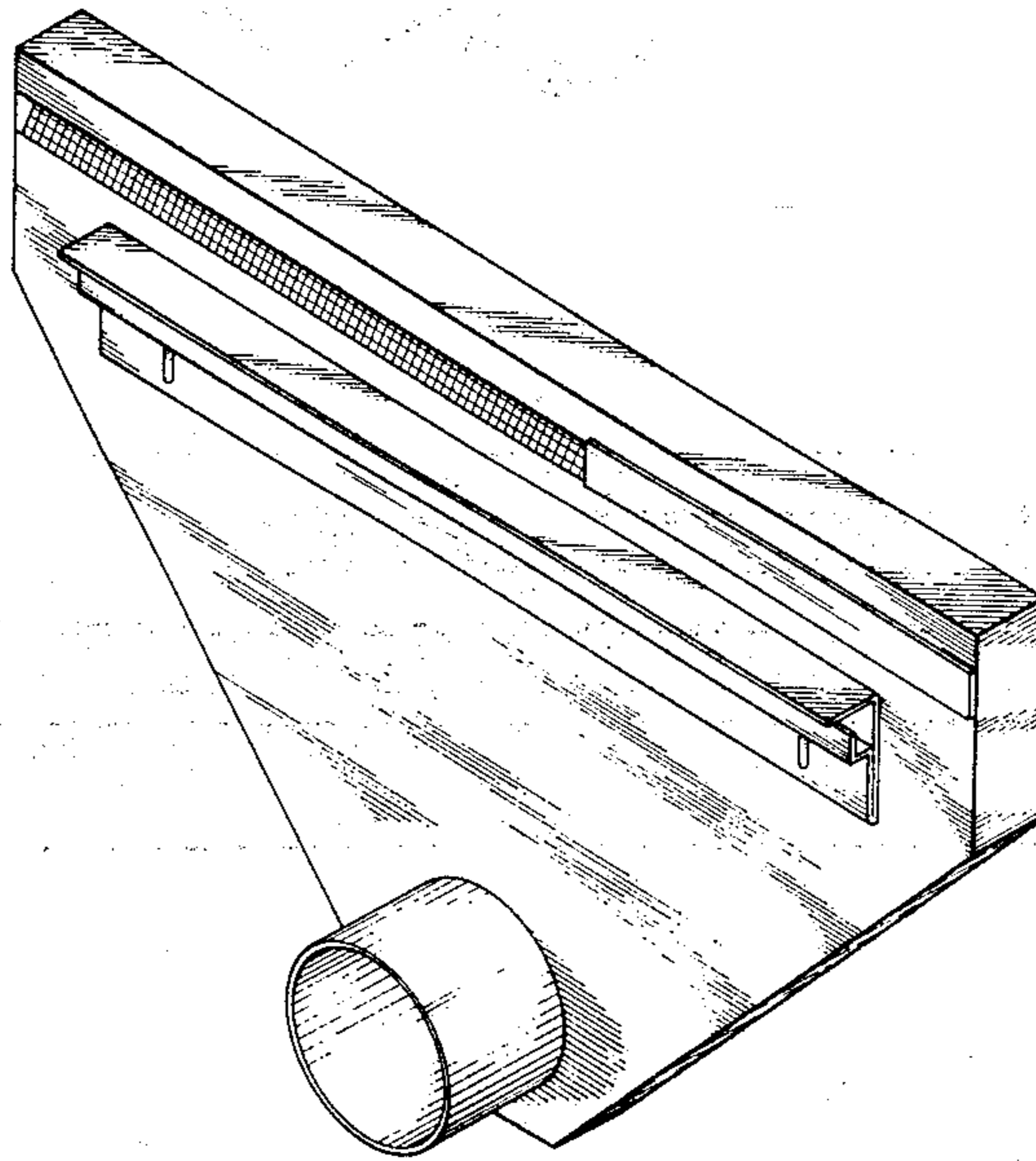
[58] Field of Search D23/139-167;
98/2, 2.11, 2.14, 2.16-2.17, 36-39, 42, 42.21,
94.1-94.2, 103; 114, 115.1-115.2; 126/299 R,
301; 181/224

FIG. 1 is a right front perspective of an air exhaust manifold for cadaver table showing my new design; FIG. 2 is a front elevational view, thereof; FIG. 3 is a rear elevational view, thereof; FIG. 4 is a top plan view, thereof; FIG. 5 is a bottom plan view, thereof; FIG. 6 is a left hand side elevational view, the right hand side elevational view being substantially a mirror image thereof; and, FIG. 7 is a front elevational view as in FIG. 2, but with the slidable vent cover in an alternate position.

[56] References Cited

U.S. PATENT DOCUMENTS

D. 165,891 2/1952 Wile D23/145
D. 234,770 4/1975 Bush D23/149



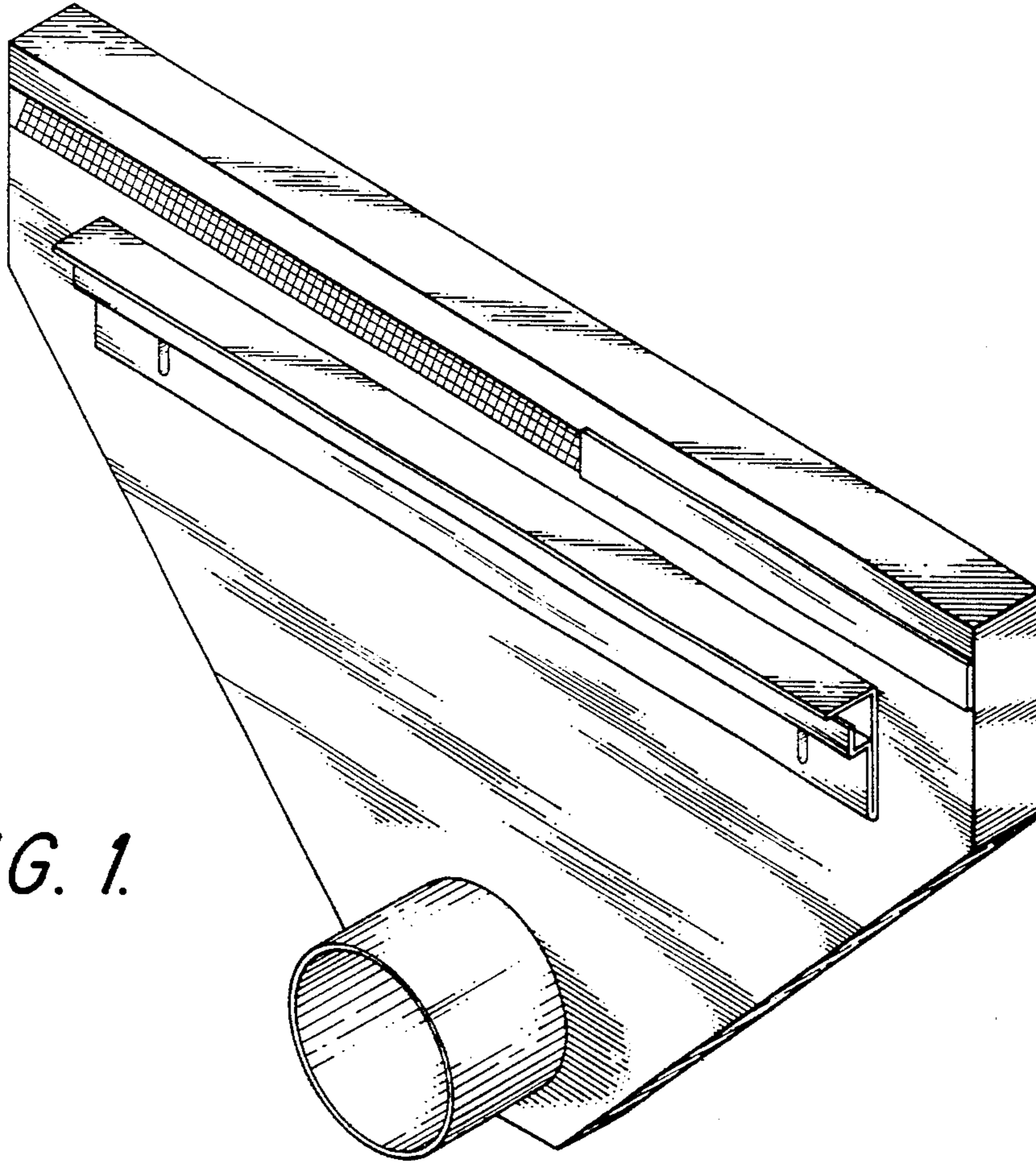


FIG. 1.

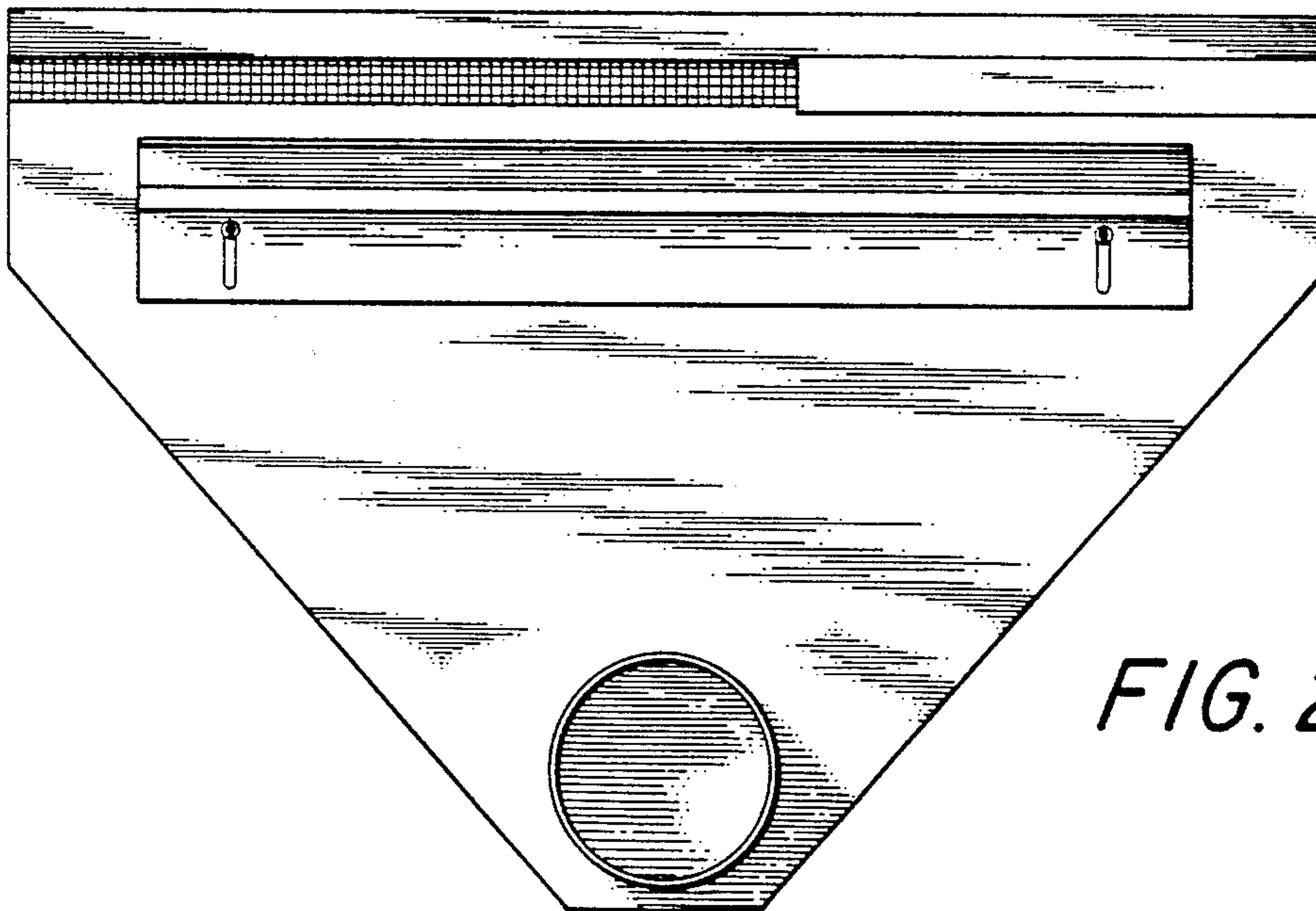


FIG. 2.

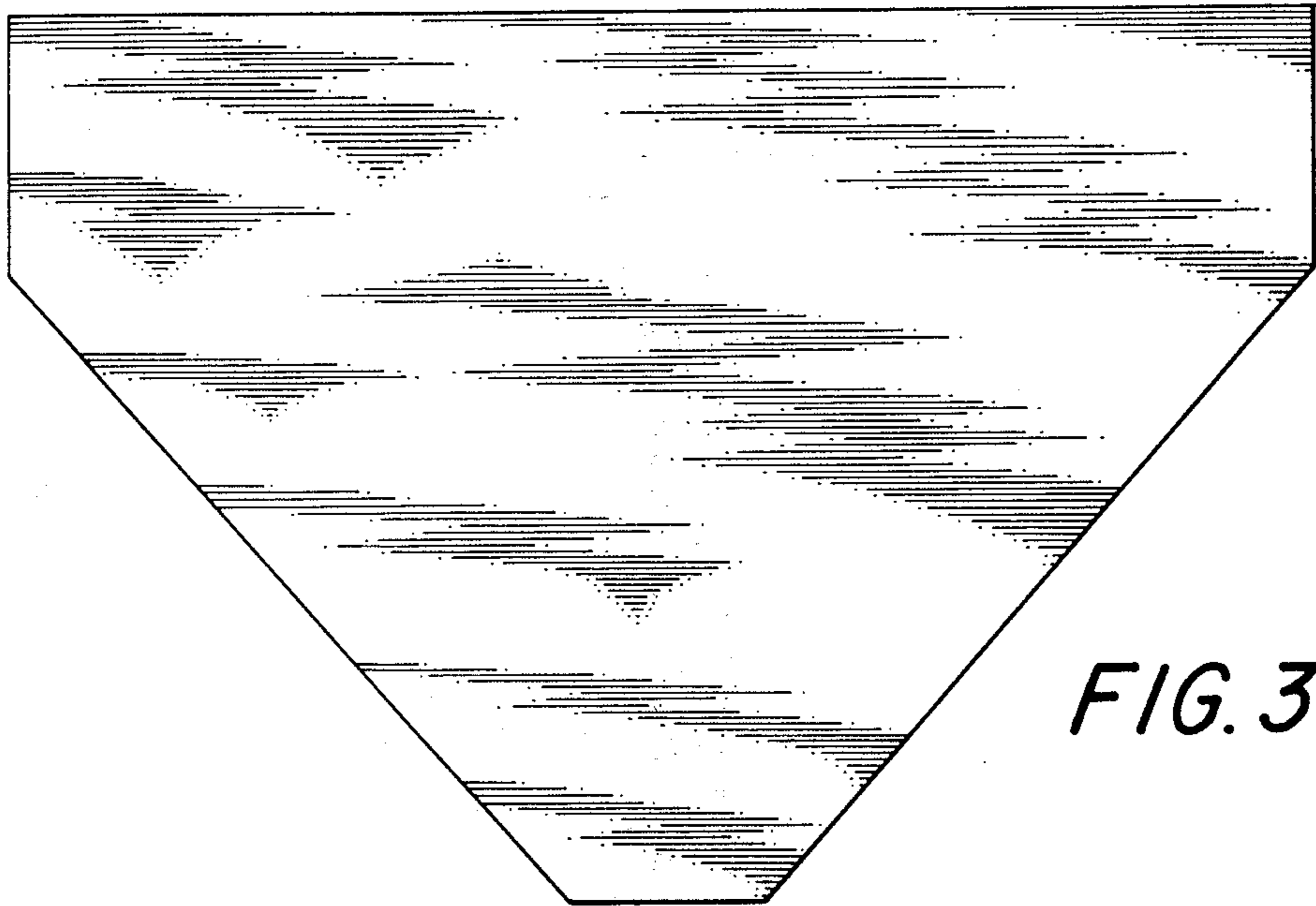


FIG. 3.

FIG. 4.

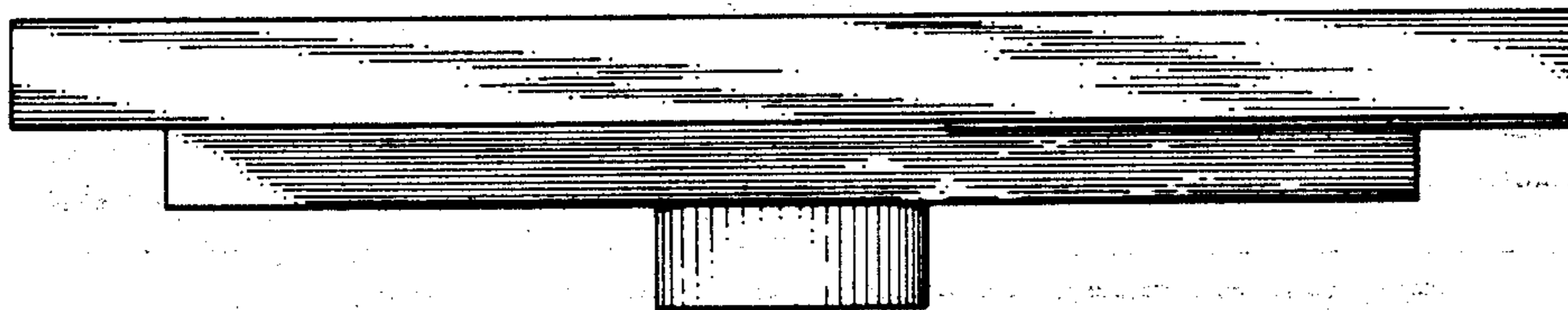


FIG. 5.

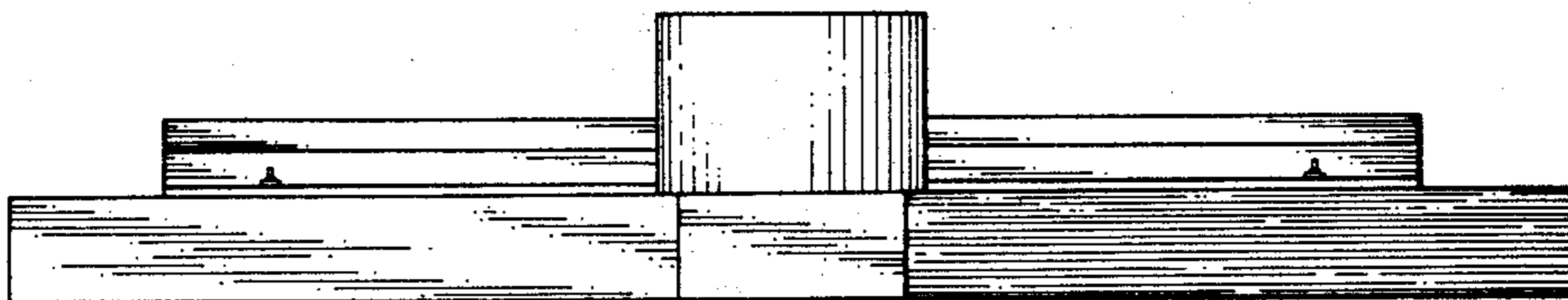


FIG. 6.

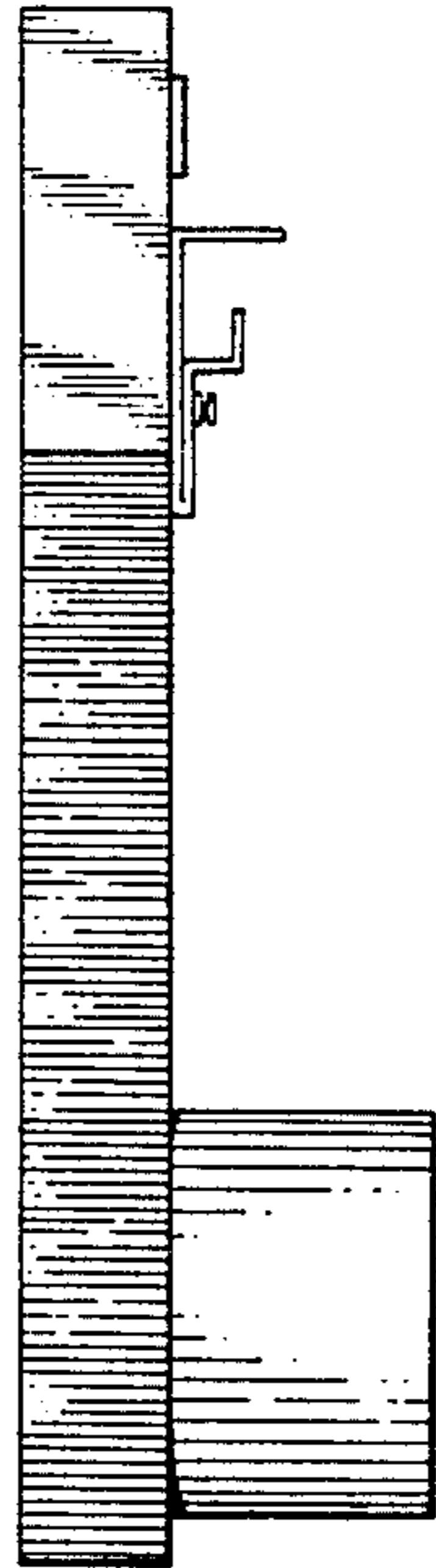


FIG. 7.

