

[54] LOCKING VALVE COVER

[75] Inventor: Charles G. Jack, Oklahoma County, Okla.

[73] Assignee: Wel-Loc, Inc., Elk City, Okla.

[**] Term: 14 Years

[21] Appl. No.: 474,259

[22] Filed: Mar. 11, 1983

[52] U.S. Cl. D23/41

[58] Field of Search D23/1, 19-22, D23/40-42; 137/371, 383, 385

[56] References Cited

U.S. PATENT DOCUMENTS

D. 134,606	12/1942	Hiller	D23/19
D. 186,915	12/1959	Nettles	D23/41
D. 208,016	6/1967	Bullard	D23/41
D. 211,875	8/1968	Porter	D23/41

D. 236,617	9/1975	Lee et al.	D23/39
D. 245,255	8/1977	Porter	D23/41
3,960,168	6/1976	Plumpton	137/385
4,352,370	10/1982	Childress	137/383

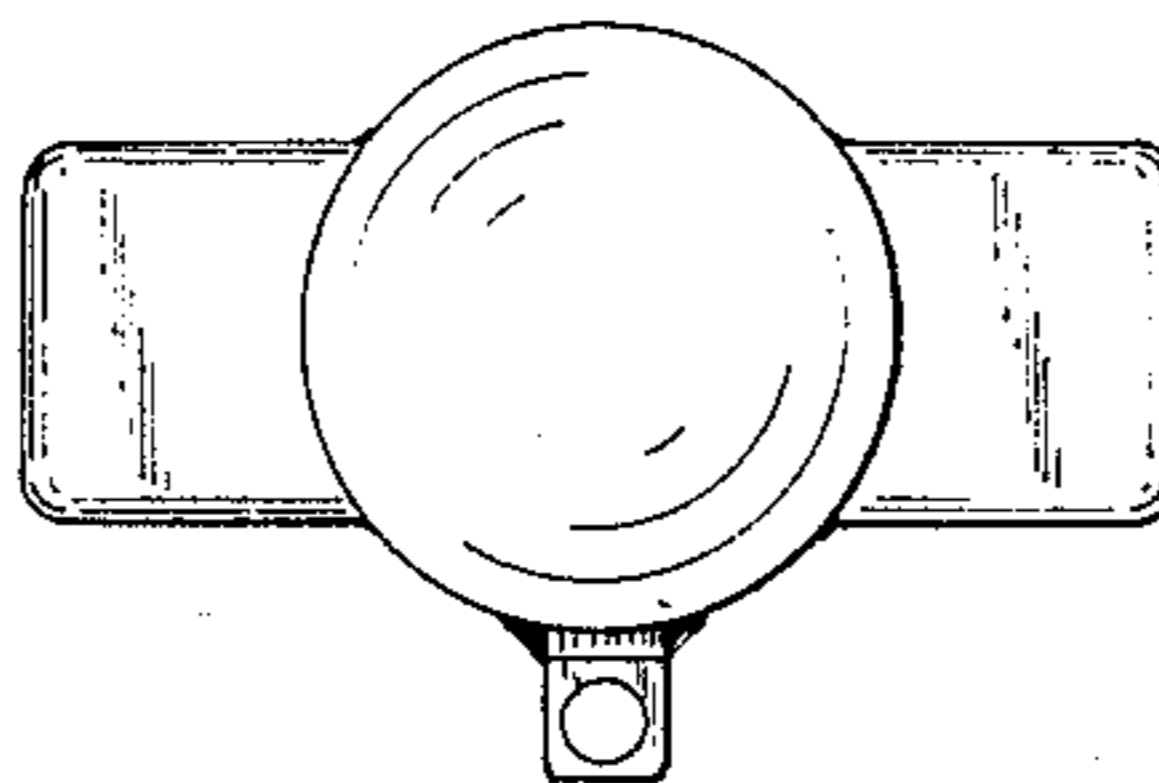
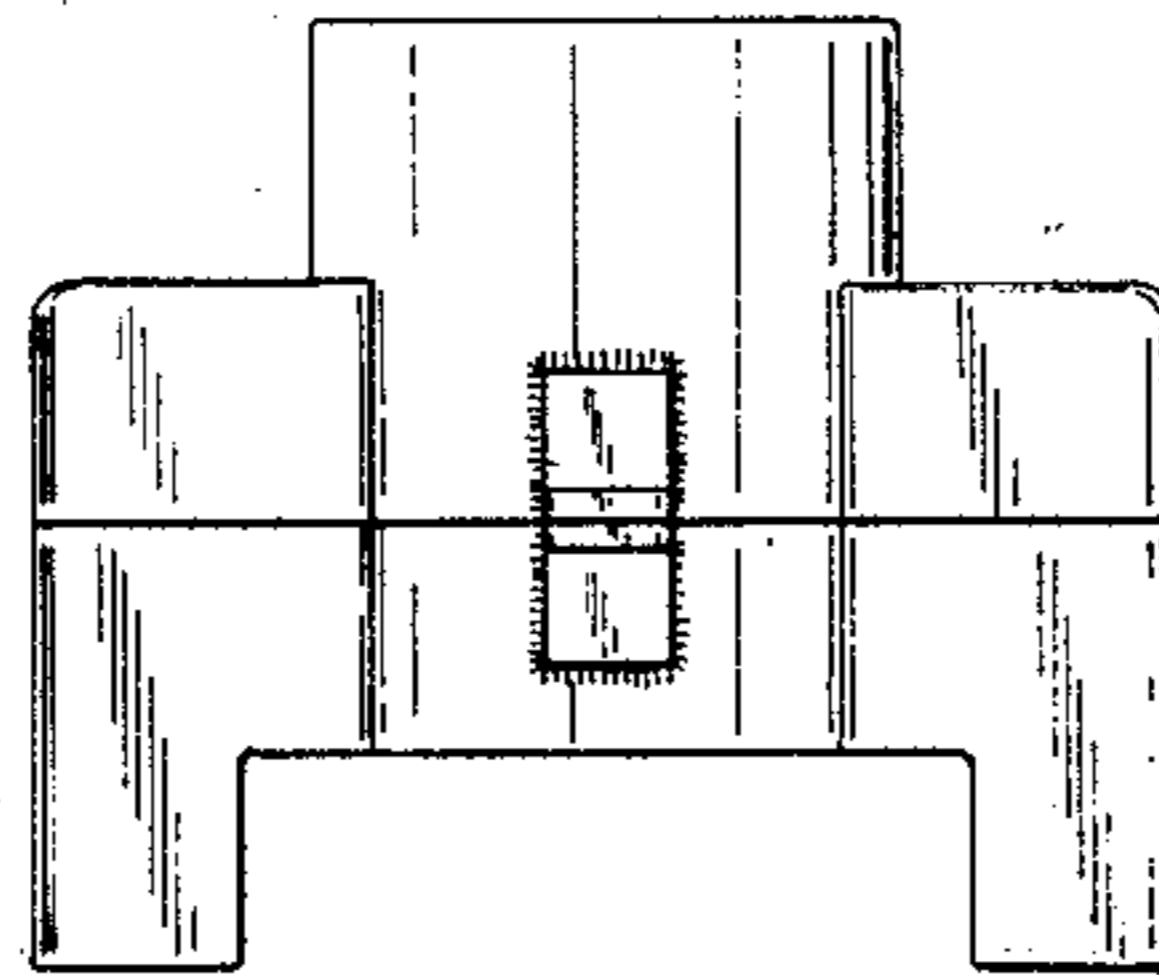
Primary Examiner—James R. Largen
Attorney, Agent, or Firm—Kokjer, Kircher, Bradley, Wharton, Bowman & Johnson

[57] CLAIM

The ornamental design for a locking valve cover, as shown and described.

DESCRIPTION

FIG. 1 is a front elevational view of a locking valve cover showing my new design;
FIG. 2 is a rear elevational view thereof;
FIG. 3 is a top plan view thereof;
FIG. 4 is a bottom plan view thereof;
FIG. 5 is a left side elevational view thereof; and
FIG. 6 is a right side elevational view thereof.



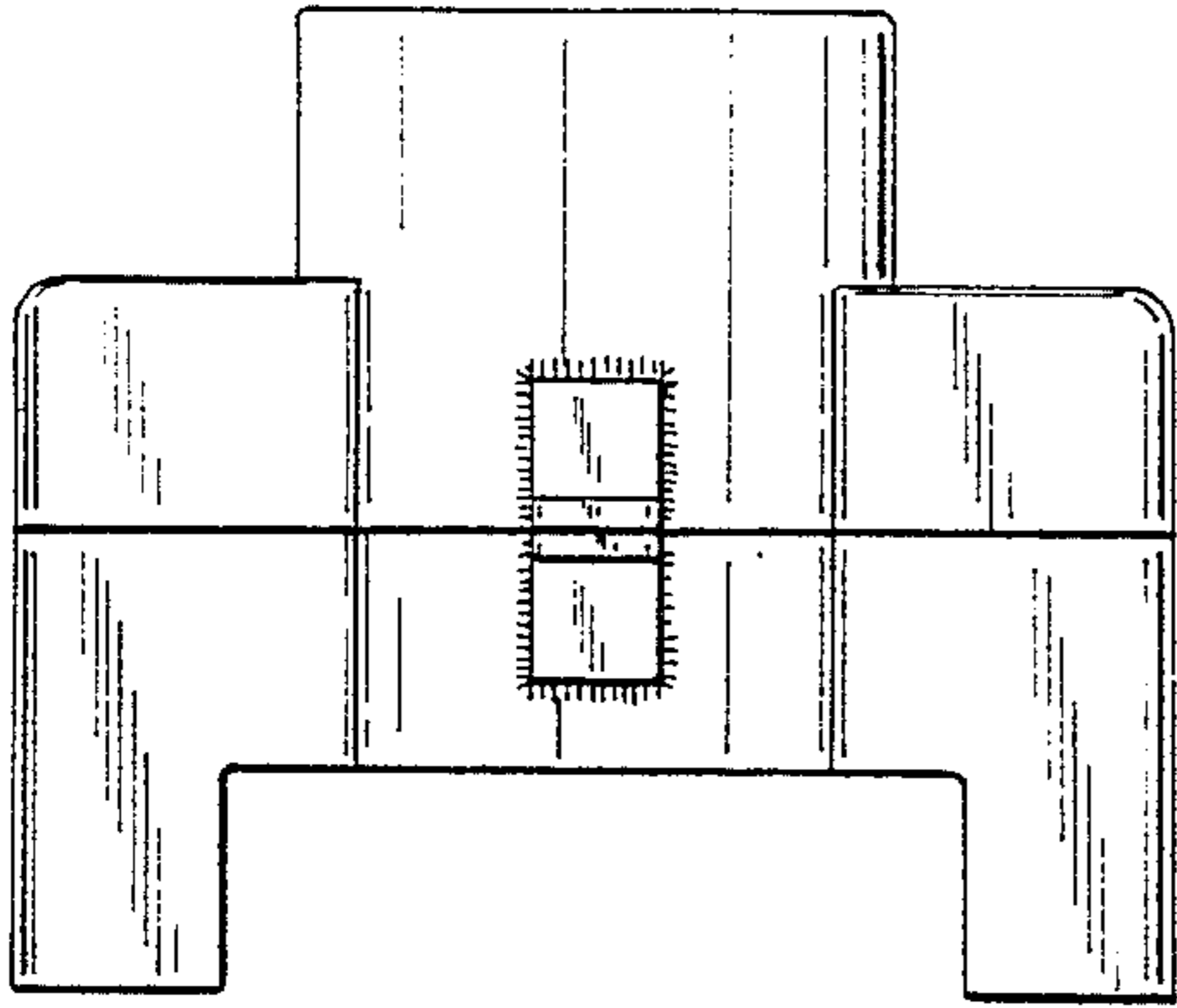


FIG. 1

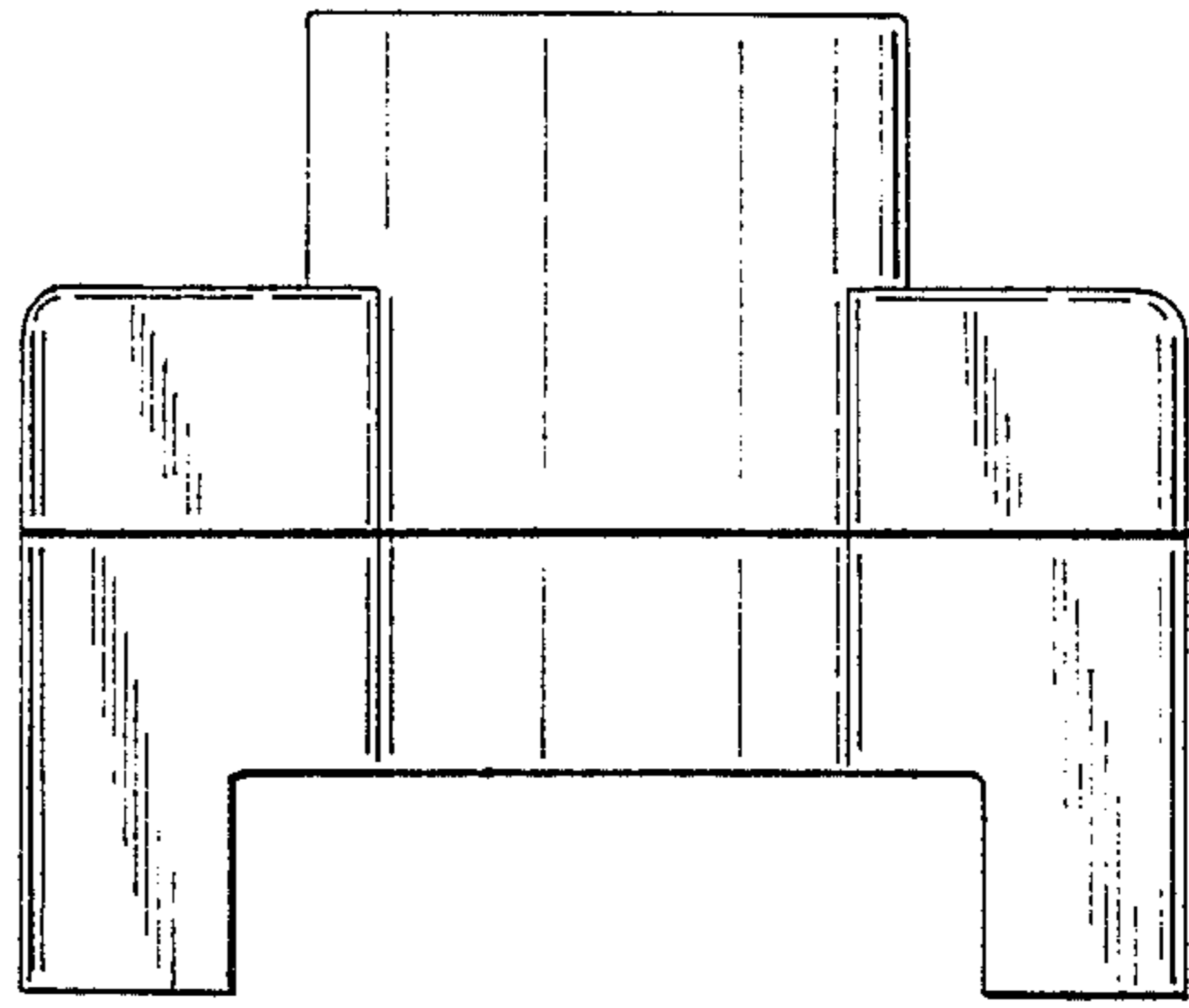


FIG. 2

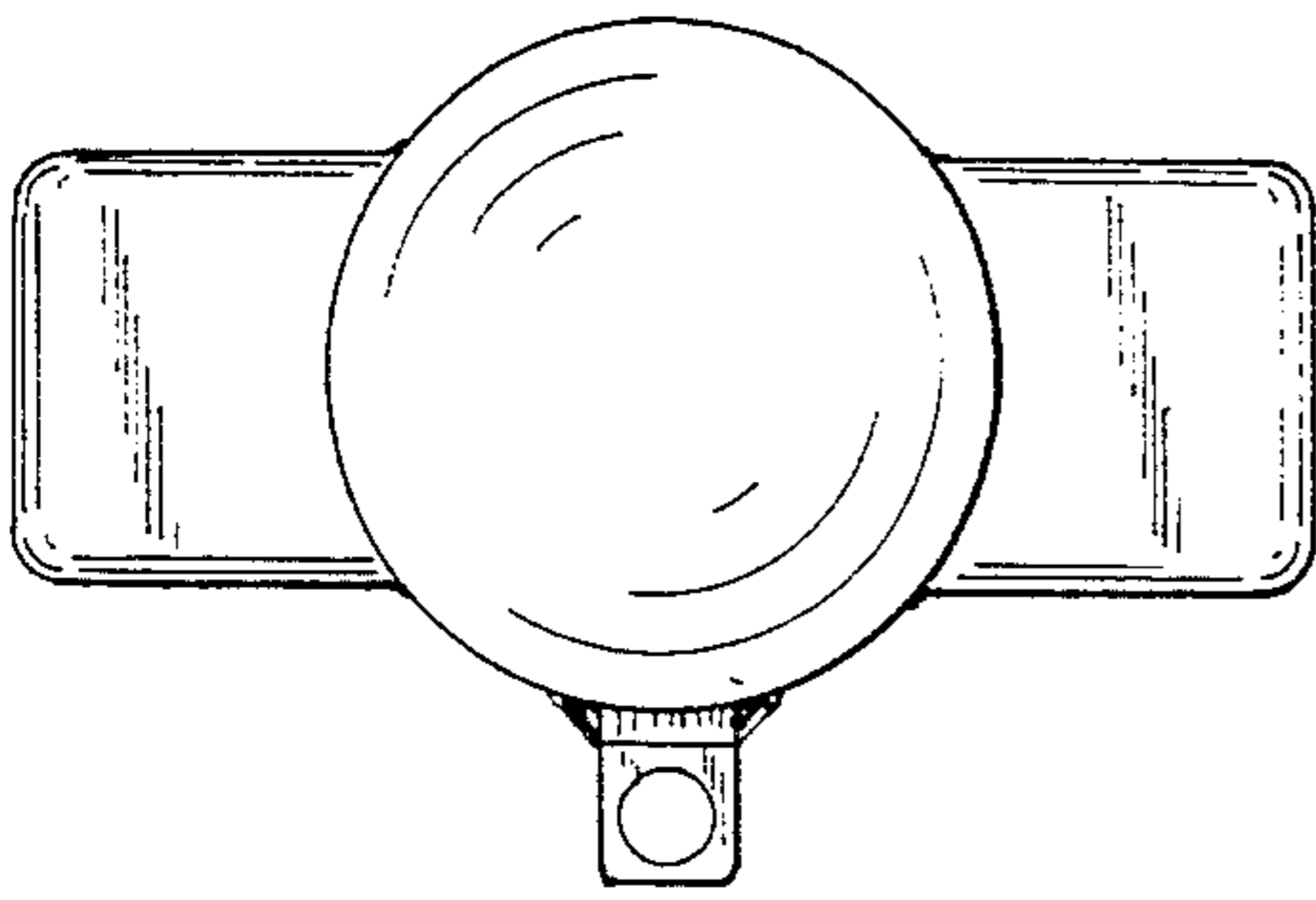


FIG. 3

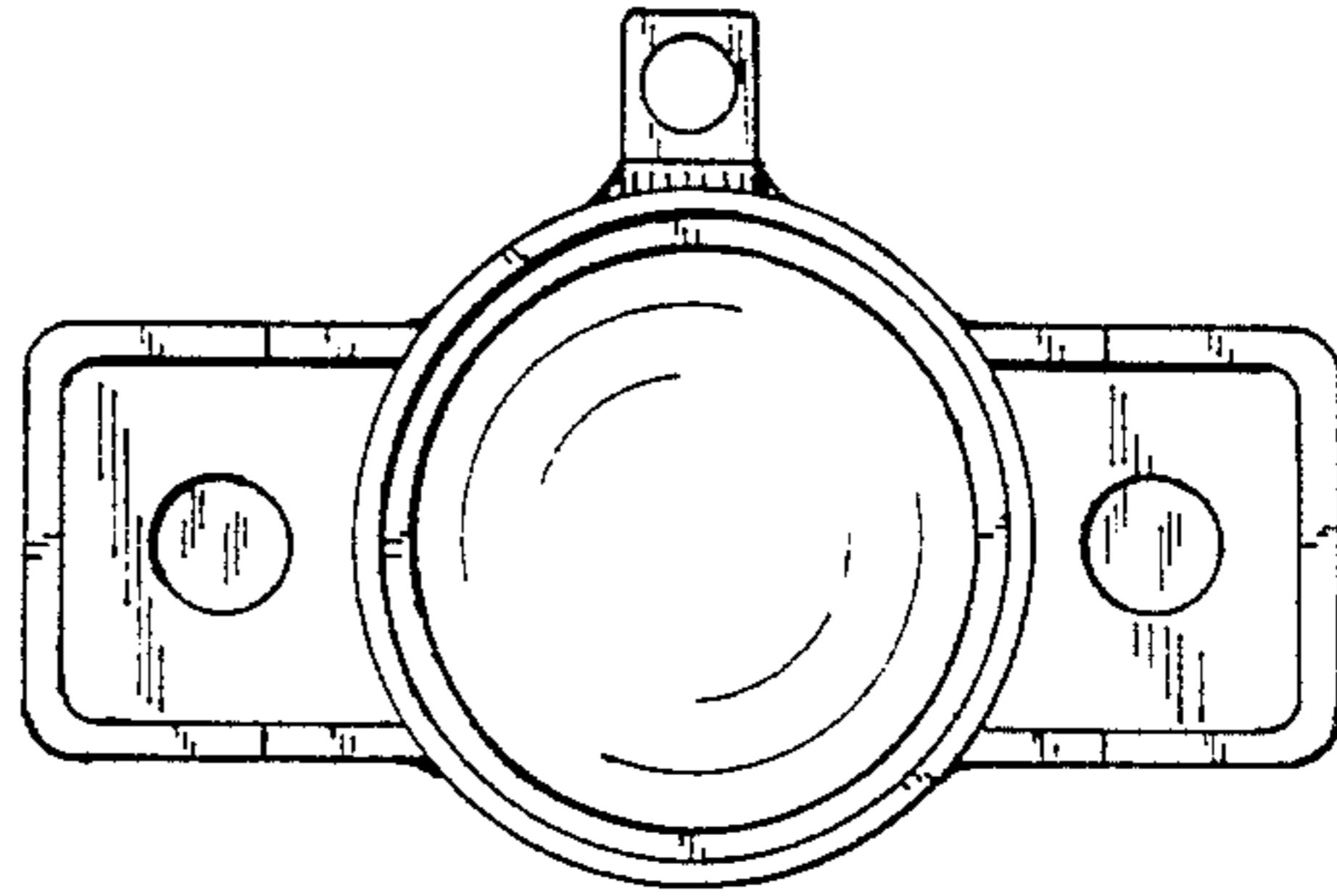


FIG. 4

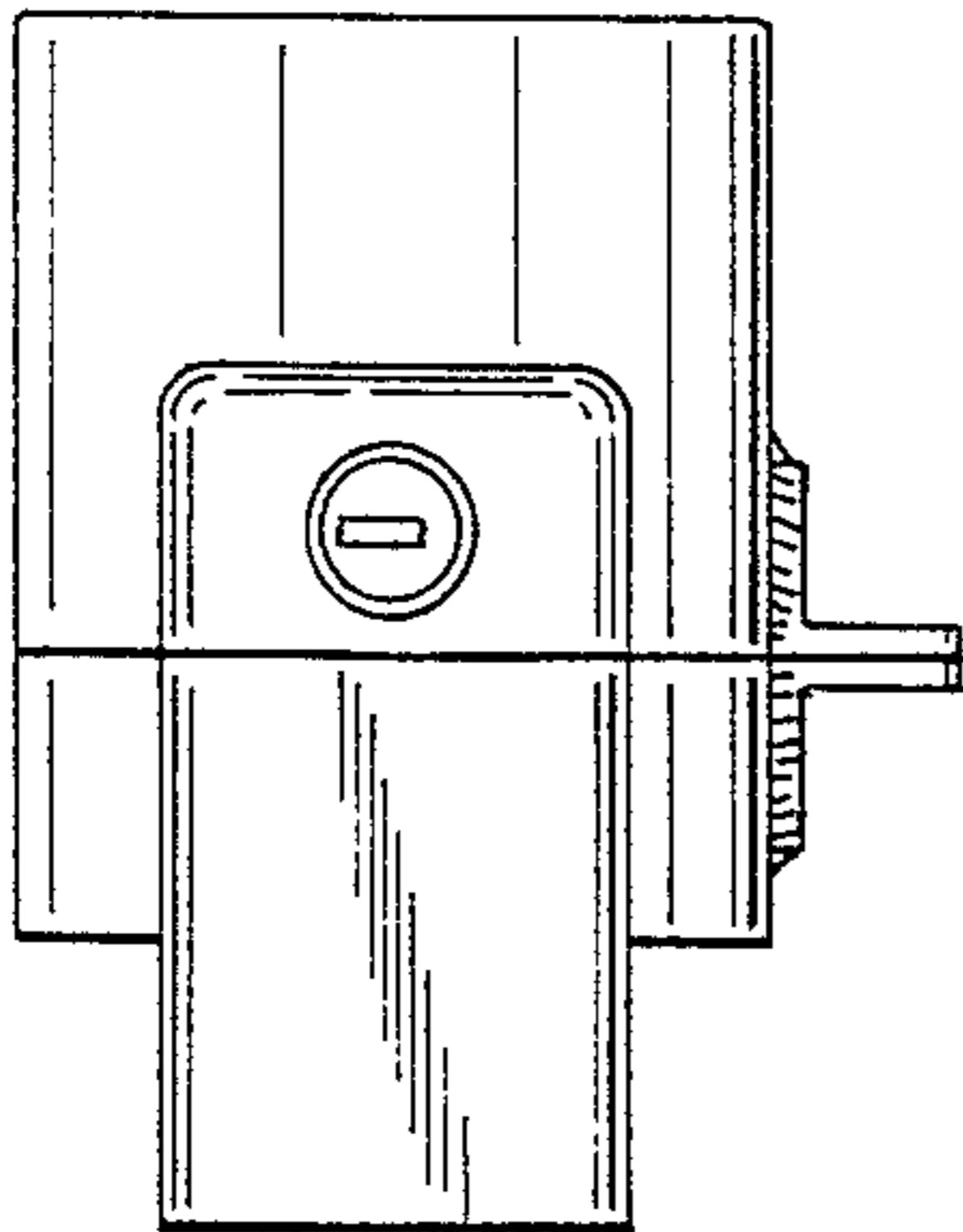


FIG. 5

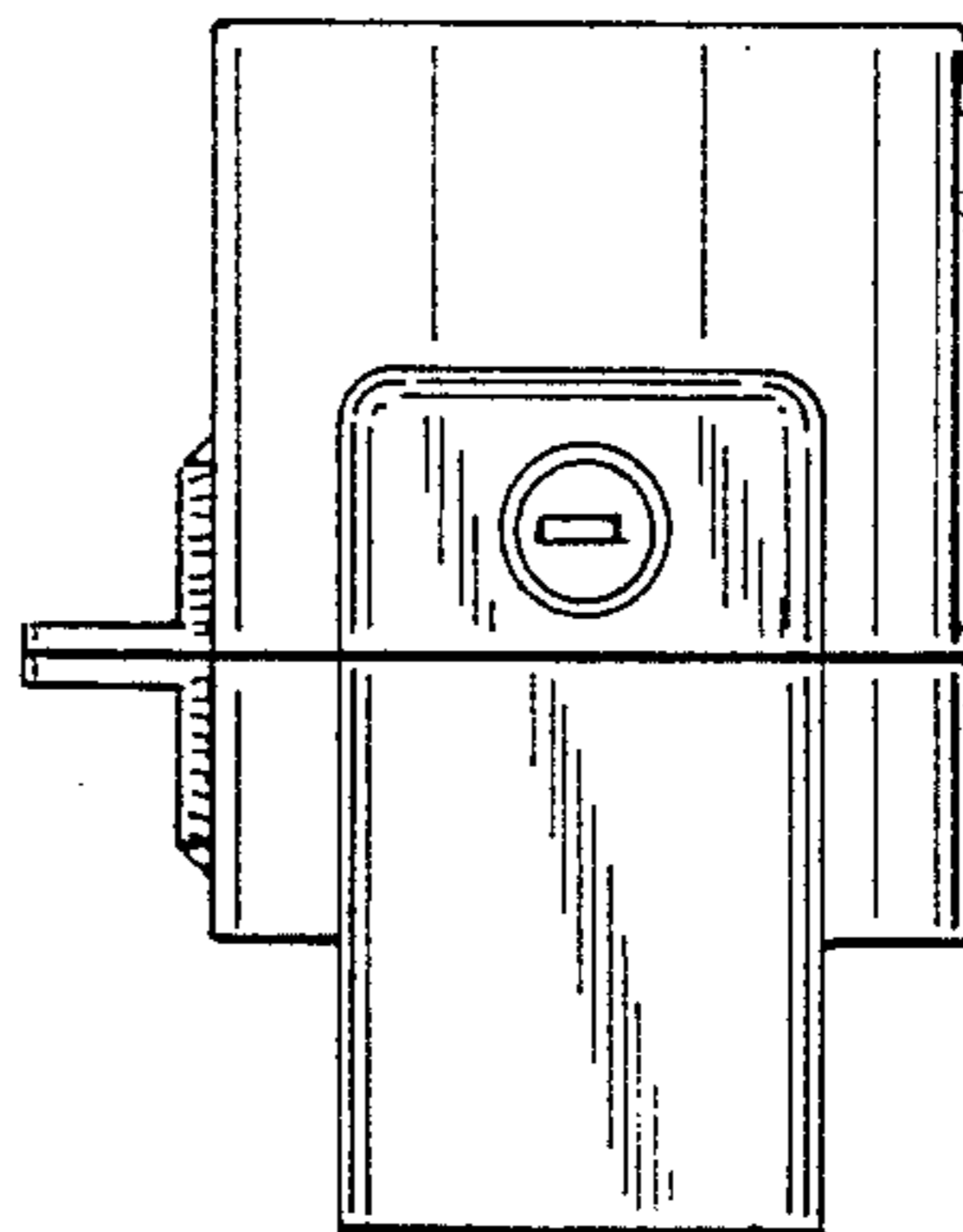


FIG. 6