

[54] SOARING FIREWORKS

[76] Inventor: Chiehyi Wang, No. 179-1 Liu Tzu Lin Swei Shang Hsiang, Chia Yi, Taiwan

[**] Term: 14 Years

[21] Appl. No.: 523,678

[22] Filed: Aug. 16, 1983

[52] U.S. Cl. D22/10; D21/7

[58] Field of Search D22/10; 102/335, 336, 102/342, 343, 347, 348, 349, 353, 358, 361; D21/7

[56] References Cited

U.S. PATENT DOCUMENTS

2,588,184	3/1952	Walsh	D21/7 X
2,841,084	7/1958	Carlisle	102/348
3,114,317	12/1963	Estes	102/348
3,291,047	12/1966	Kitajima et al.	102/348
3,741,120	6/1973	McAllister	102/361 X
3,820,275	6/1974	Green	102/348 X

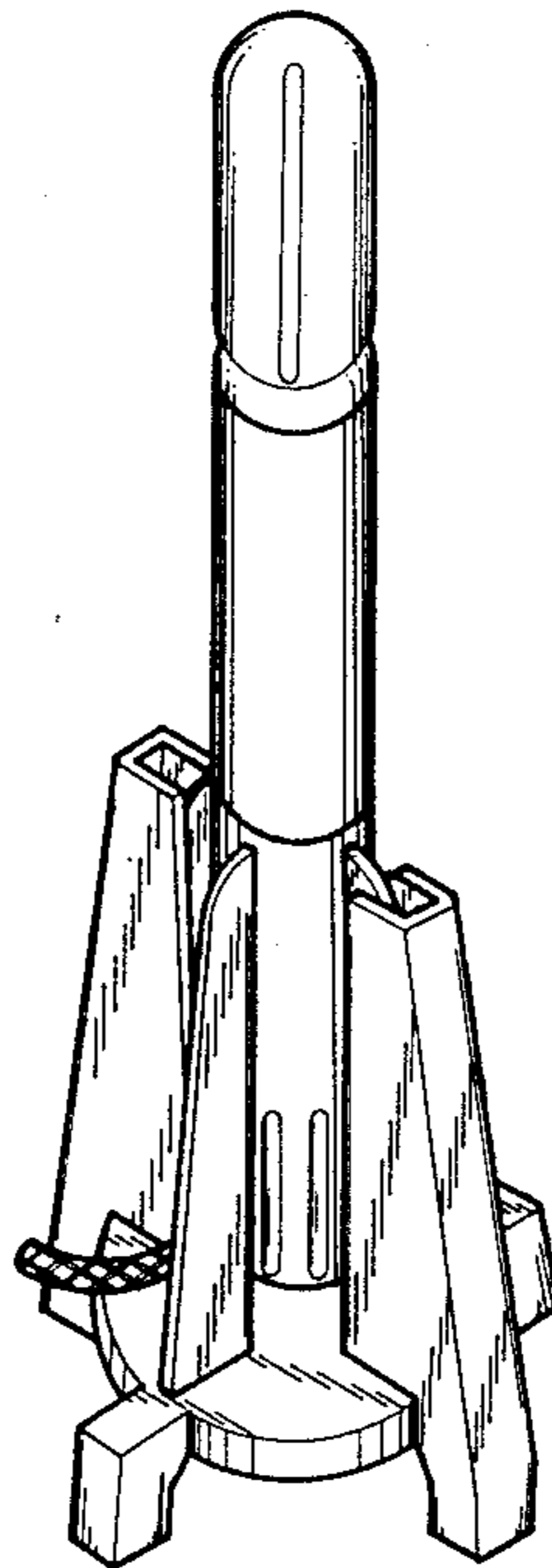
Primary Examiner—A. Hugo Word
Attorney, Agent, or Firm—Holman & Stern

[57] CLAIM

The ornamental design for a soaring fireworks, as shown and described.

DESCRIPTION

FIG. 1 is a front elevational view of the soaring fireworks showing my new design;
 FIG. 2 is a rear elevational view of the soaring fireworks as shown in FIG. 1;
 FIG. 3 is a left side elevational view of the soaring fireworks as shown in FIG. 1;
 FIG. 4 is a right side elevational view of the soaring fireworks as shown in FIG. 1;
 FIG. 5 is a top plan view of the soaring fireworks as shown in FIG. 1;
 FIG. 6 is a bottom view of the soaring fireworks as shown in FIG. 1;
 FIG. 7 is a perspective view of the soaring fireworks as shown in FIG. 1.



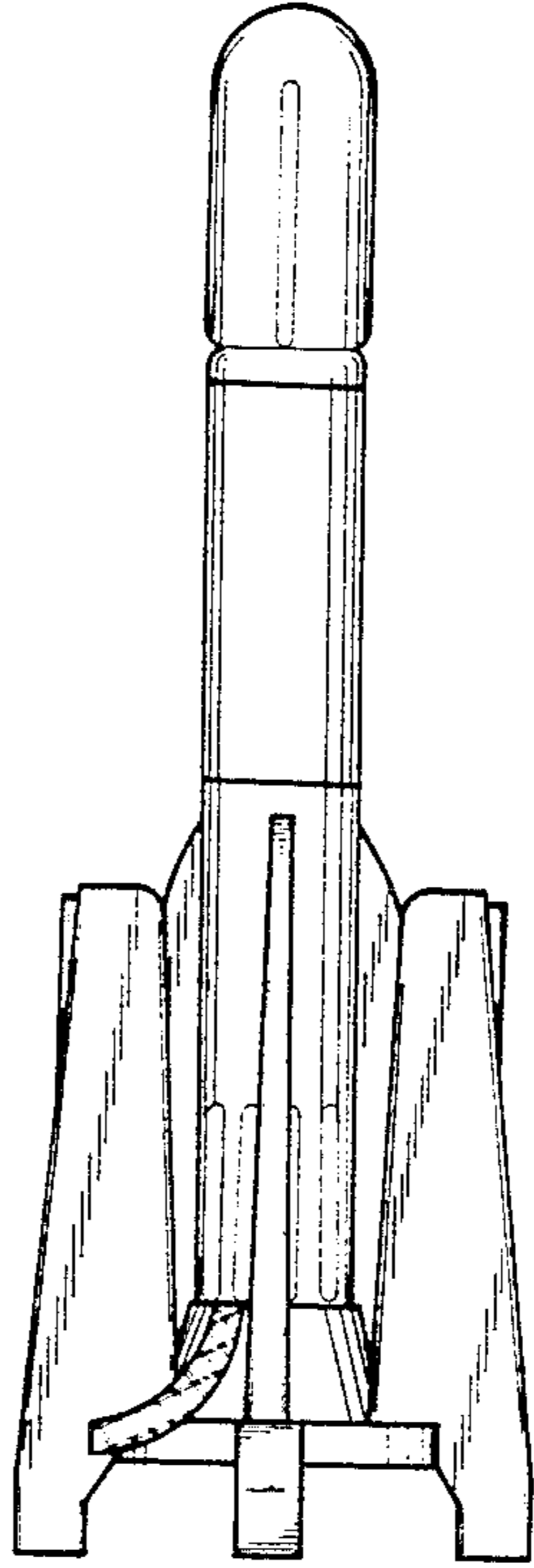


Fig: 1

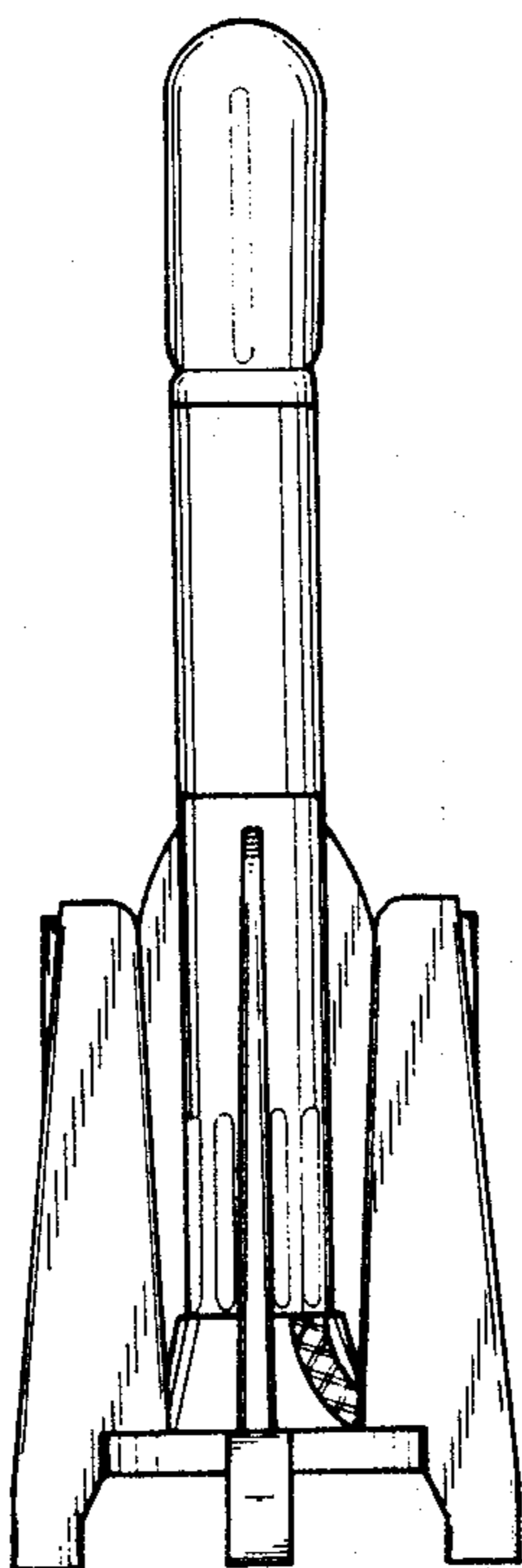


Fig: 2

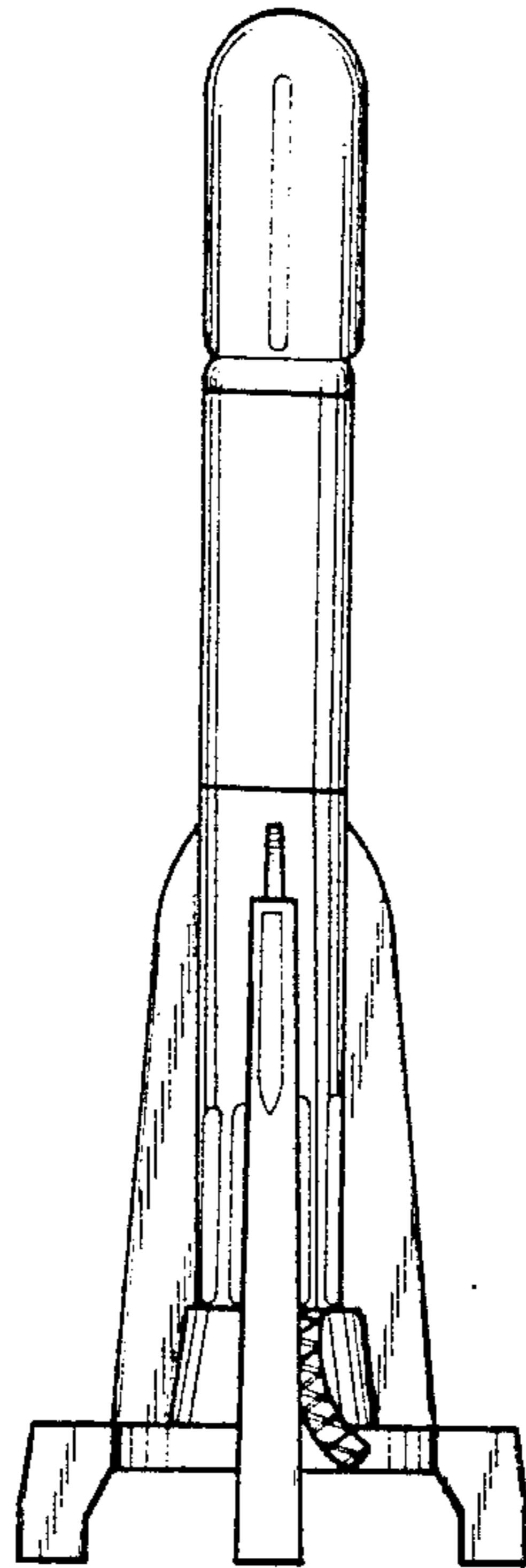


Fig : 3

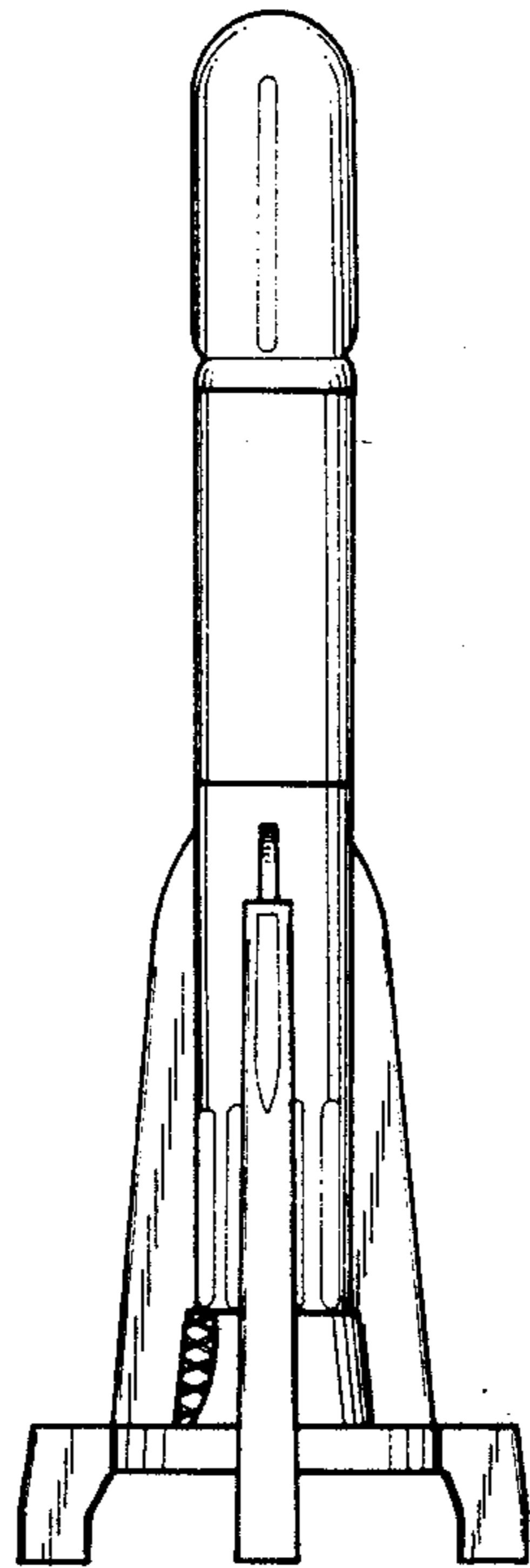


Fig: 4

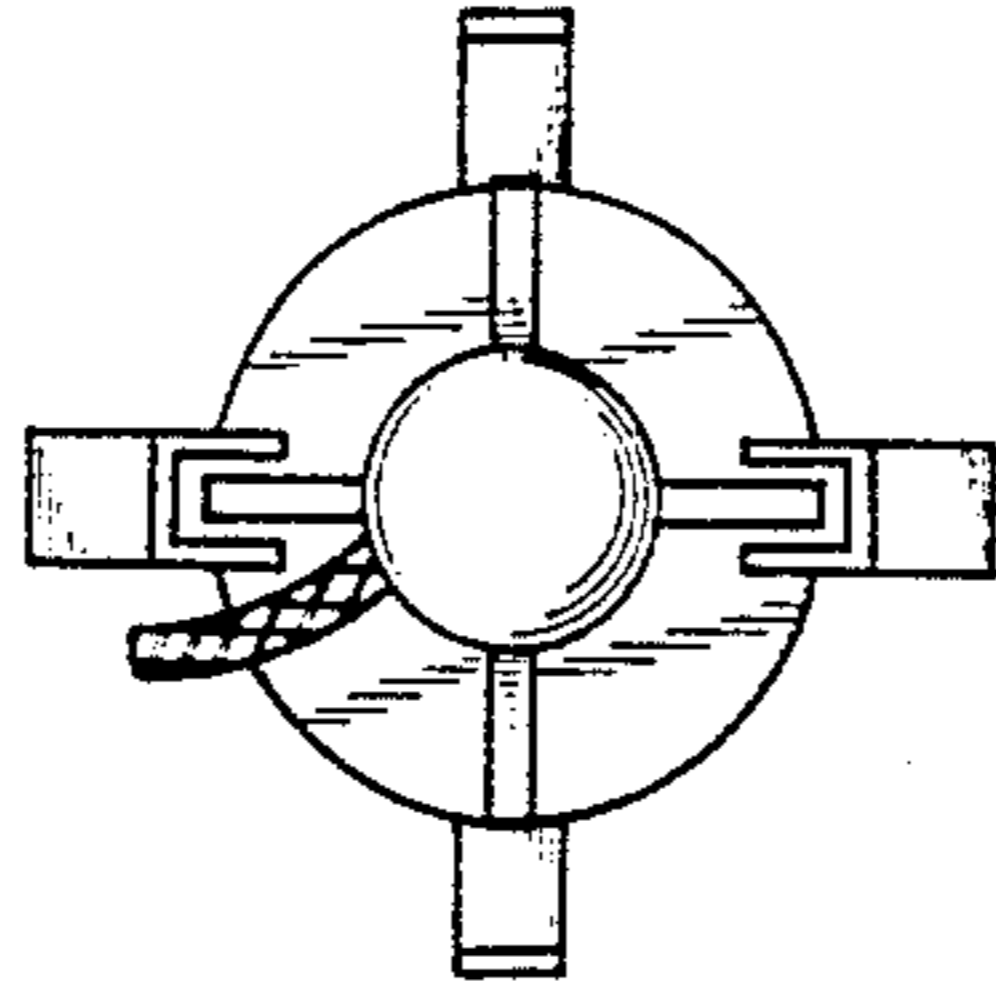


Fig 5

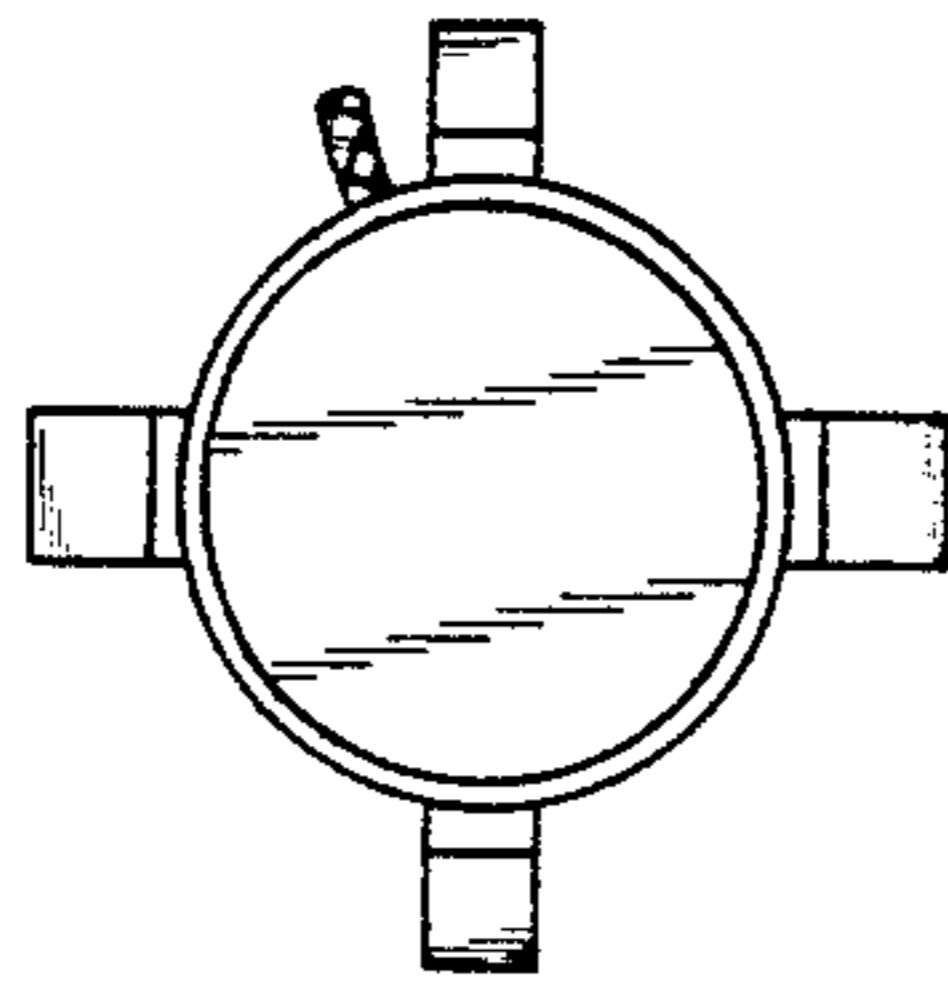


Fig: 6

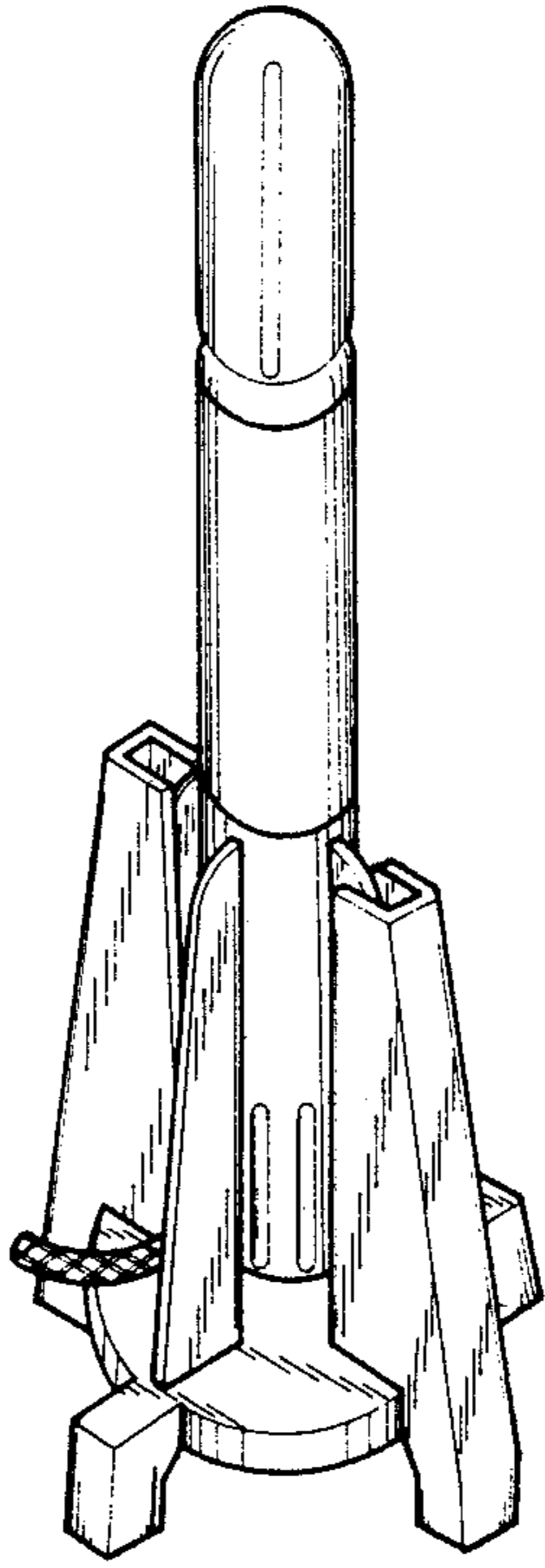


Fig : 7