

[54] **EXERCISE TREADMILL**

[75] Inventors: **David B. Smith**, Mercer Island; **John M. Moore**, Woodinville, both of Wash.

[73] Assignee: **Precor, Incorporated**, Redmond, Wash.

[\*\*] Term: **14 Years**

[21] Appl. No.: **572,222**

[22] Filed: **Jan. 19, 1984**

[52] U.S. Cl. .... **D21/192**

[58] Field of Search ..... **D21/191, 192-193, D21/194-195, 196, 197, 198, 199; 272/69, 65**

[56] **References Cited**

**U.S. PATENT DOCUMENTS**

|            |        |            |       |         |
|------------|--------|------------|-------|---------|
| D. 219,744 | 1/1971 | Hesen      | ..... | D21/192 |
| D. 232,446 | 8/1974 | Townsend   | ..... | D21/192 |
| D. 270,555 | 9/1983 | Ogden      | ..... | D21/192 |
| D. 273,029 | 3/1984 | Kullenberg | ..... | D21/192 |
| D. 280,002 | 8/1985 | Smith      | ..... | D21/192 |

**OTHER PUBLICATIONS**

Portions of an Advertising Brochure Distributed by the Burdick Corporation: Illustrating the Model TMS-300 and TMS-400 Treadmills.

Advertising Sheet: Illustrating the ICR Whispermill Treadmill Distributed by Instruments for Cardiac Research, Inc.

Portions of an Advertising Brochure Distributed by Haden Industries, Inc.: Illustrating the Haden Woodway Treadmill.

Portions of an Advertising Brochure Distributed by Universal/Kidde, Inc., Illustrating Treadmills Marketed Under the Designations Tredex Nos. 2902, 2903, 2904, 2905 & 2921.

Advertising Information Distributed by Fitness Equip-

ment Illustrating Treadmills Marketed Under the Designations Marathon 1000, 3000, 5000, 5000E and 7000. Advertising Material Distributed by MacLevy Products Corp. Illustrating Various Treadmills Marketed Under the Designations "Jog Master," Jog-O-Matic, Cardio Fitness and Tunturi.

Advertising Material Distributed by MGI Fitness Systems Illustrating Treadmill Models 23N and 23P.

Advertising Material Distributed by Marguette Electronics, Inc. Illustrating Its Series 6500 Modular Exercise System.

Advertising Materials for the Delo Treadmill.

Advertising Material Illustrating the TM Pacer II Treadmill by Ogden Health Products.

Advertising Material Distributed by Pacer Industries, Inc., Illustrating Treadmill Models R1, R2, R2D, R3, R3 Digital, R9 and R9 Medical.

Advertising Materials Distributed by Trotter Treadmills, Inc., Illustrating Treadmill Models C22, Trotter 320 and Trotter 3100.

Advertising Material Distributed by Quinton Instrument Co., Illustrating Treadmill Models 18-49, 18-60, 24-72, and 18-54.

Portions of Advertising Materials Distributed by MacLevy Illustrating Treadmill Model Omni Electro Run 1553.

*Primary Examiner*—Charles A. Rademaker

*Attorney, Agent, or Firm*—Christensen, O'Connor, Johnson & Kindness

[57] **CLAIM**

The ornamental design for exercise treadmill, substantially as shown and described.

**DESCRIPTION**

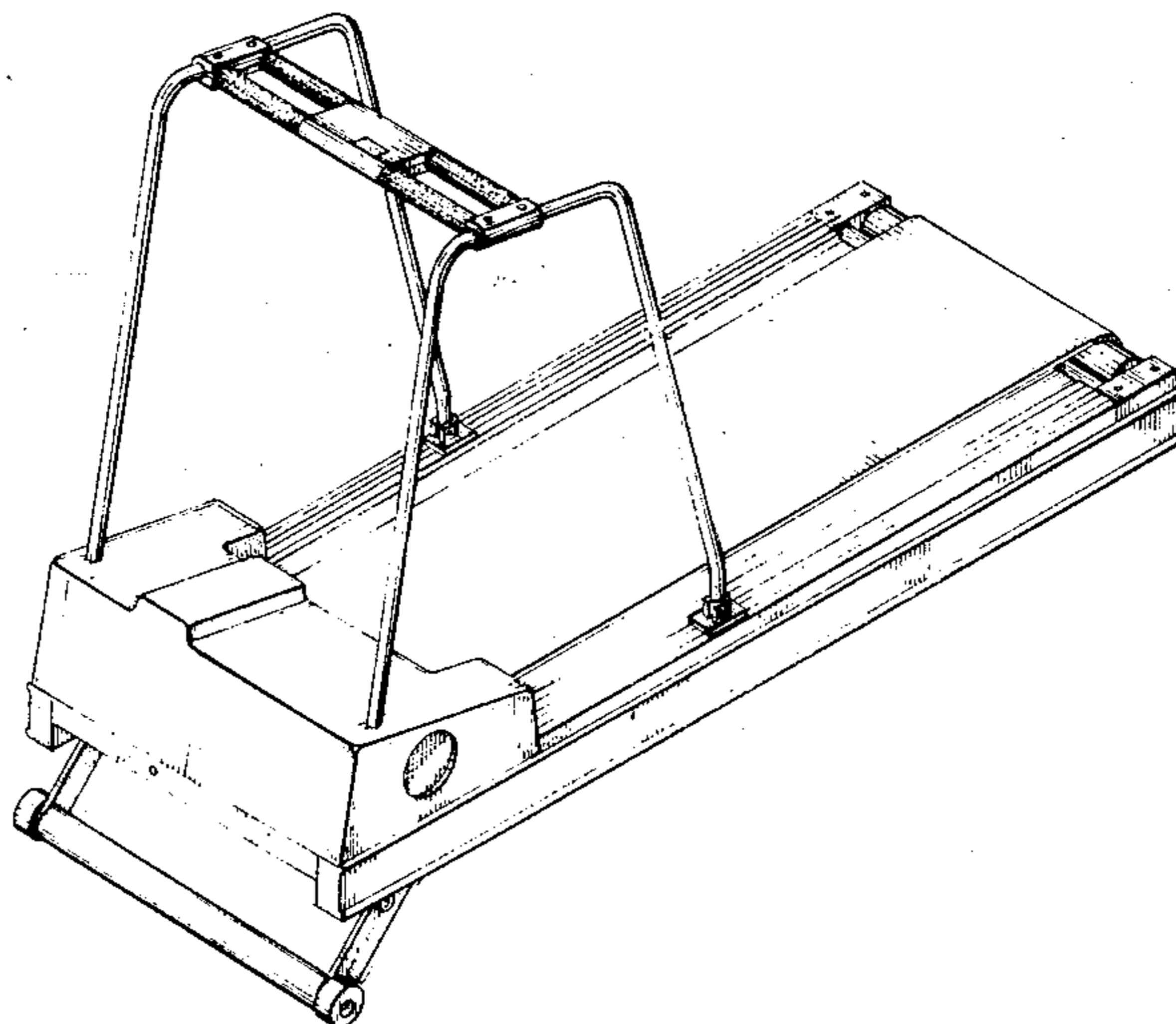
FIG. 1 is a front perspective view of exercise treadmill showing our new design;

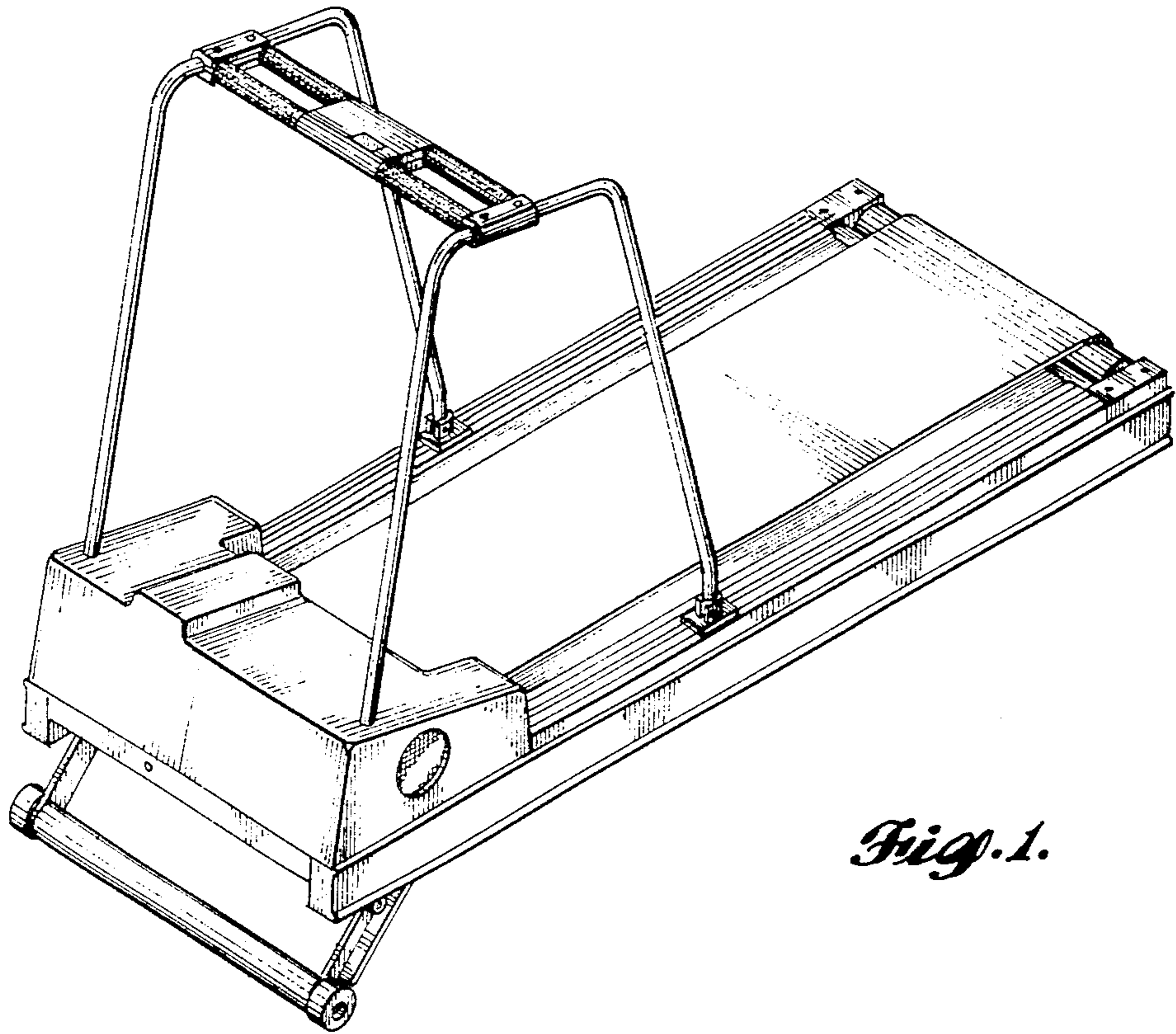
FIG. 2 is a side elevational view thereof, the side opposite being substantially a mirror image;

FIG. 3 is a top plan view thereof;

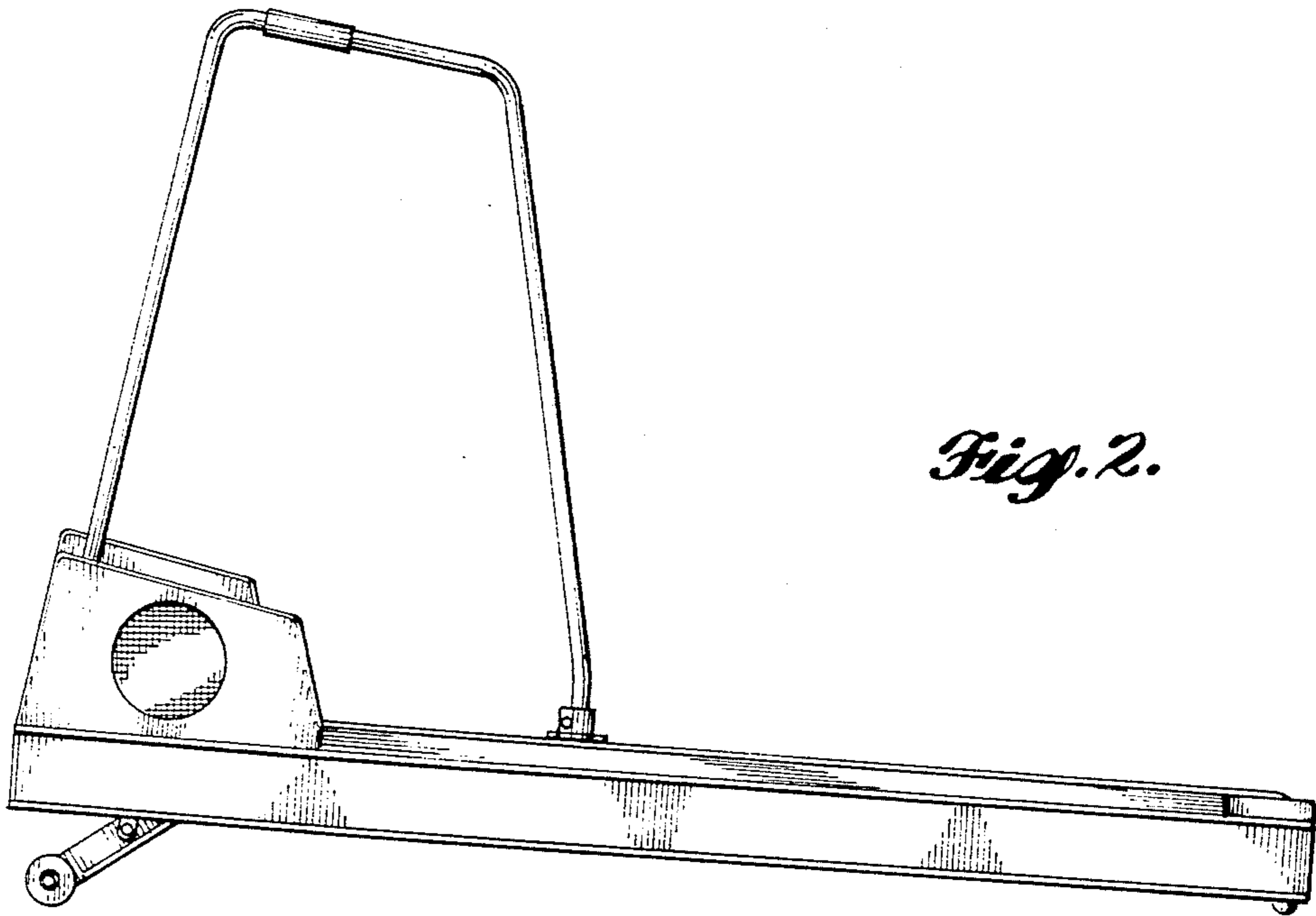
FIG. 4 is a front elevational view thereof; and,

FIG. 5 is a rear elevational view thereof.



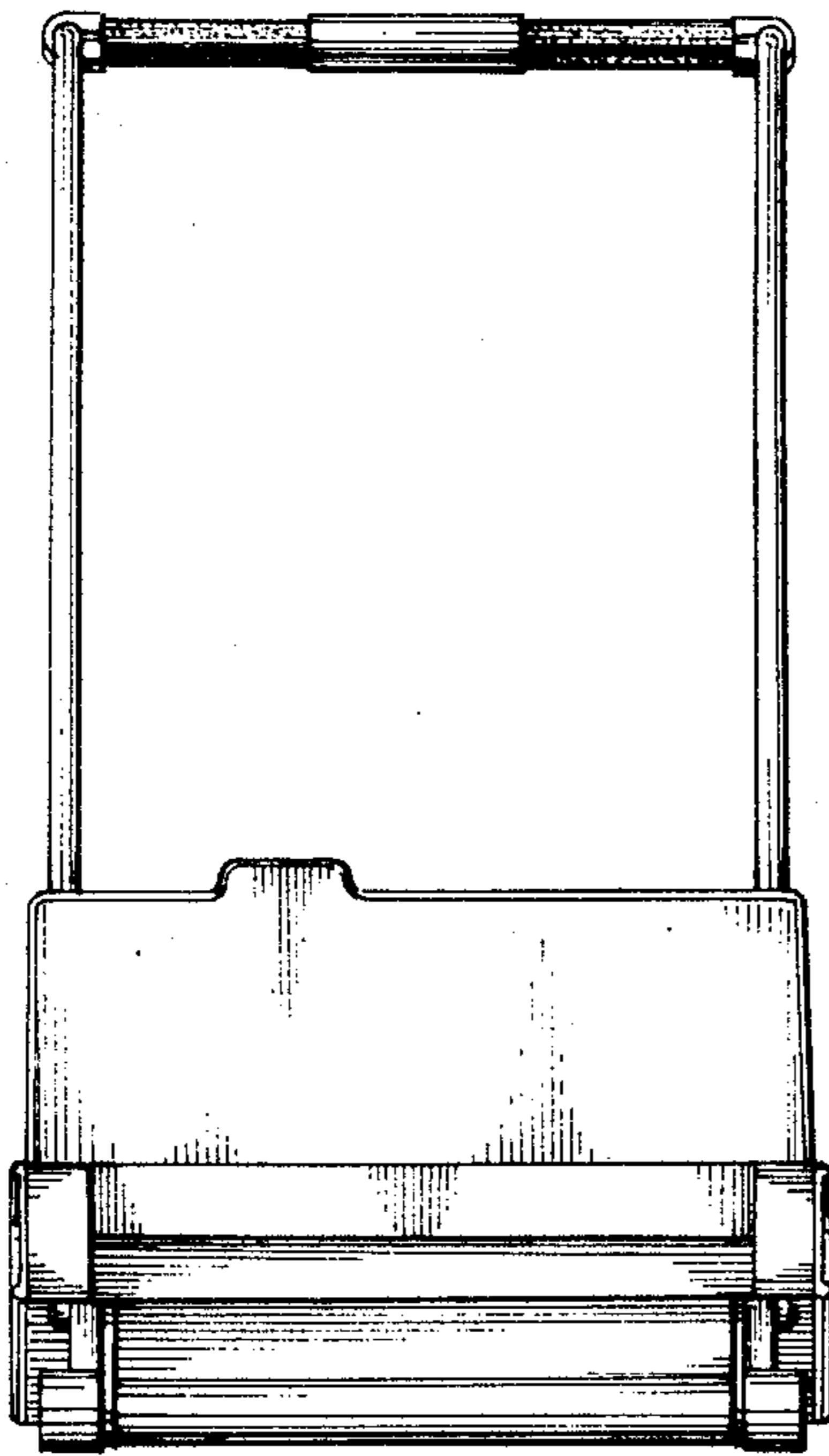
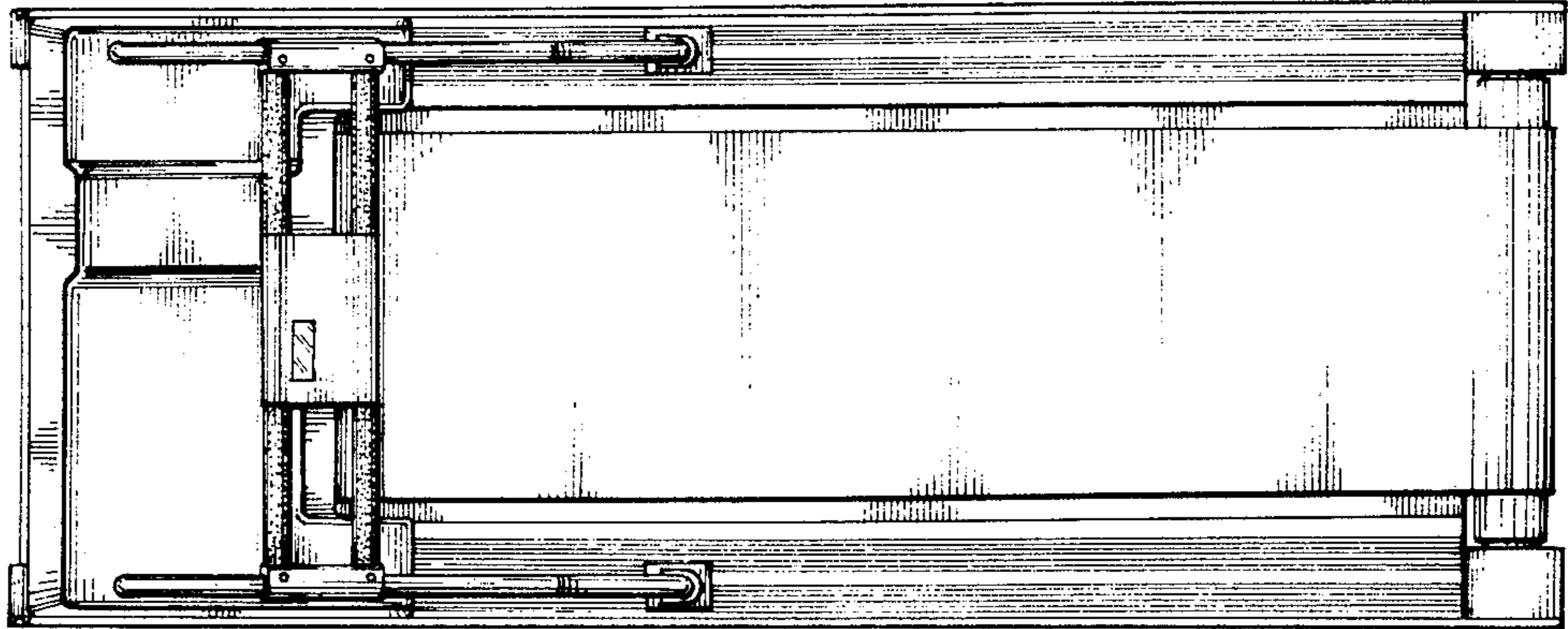


*Fig. 1.*

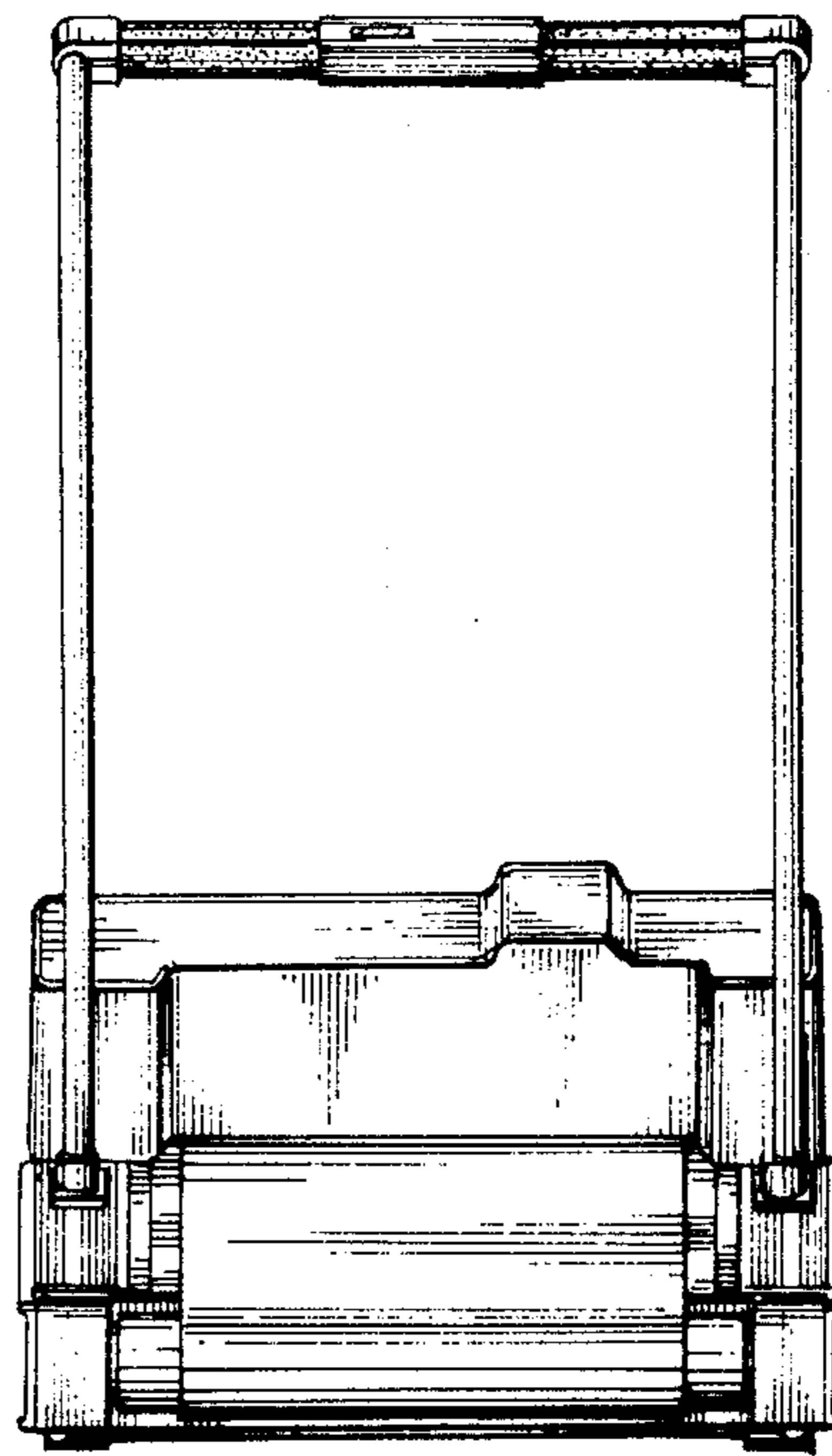


*Fig. 2.*

*Fig. 3.*



*Fig. 4.*



*Fig. 5.*