

[54] TOY SAILOR

[75] Inventor: Steven M. Taylor, Buffalo, N.Y.

[73] Assignee: The Quaker Oats Company, Chicago, Ill.

[**] Term: 14 Years

[21] Appl. No.: 576,357

[22] Filed: Feb. 2, 1984

[52] U.S. Cl. D21/178; D21/173

[58] Field of Search D21/178, 173, 168, 63-65; 446/419, 421, 422, 177

[56] References Cited

U.S. PATENT DOCUMENTS

D. 161,122 12/1950 Packman D21/65

D. 181,009 9/1957 Lakin D21/173

D. 254,922 5/1980 Walker D21/173

D. 261,285 10/1981 Clark D21/65

D. 273,025 3/1984 Emms et al. D21/173

Primary Examiner—Melvin B. Feifer
Attorney, Agent, or Firm—Cumpston & Shaw

[57] CLAIM

The ornamental design for a toy sailor, substantially as shown and described.

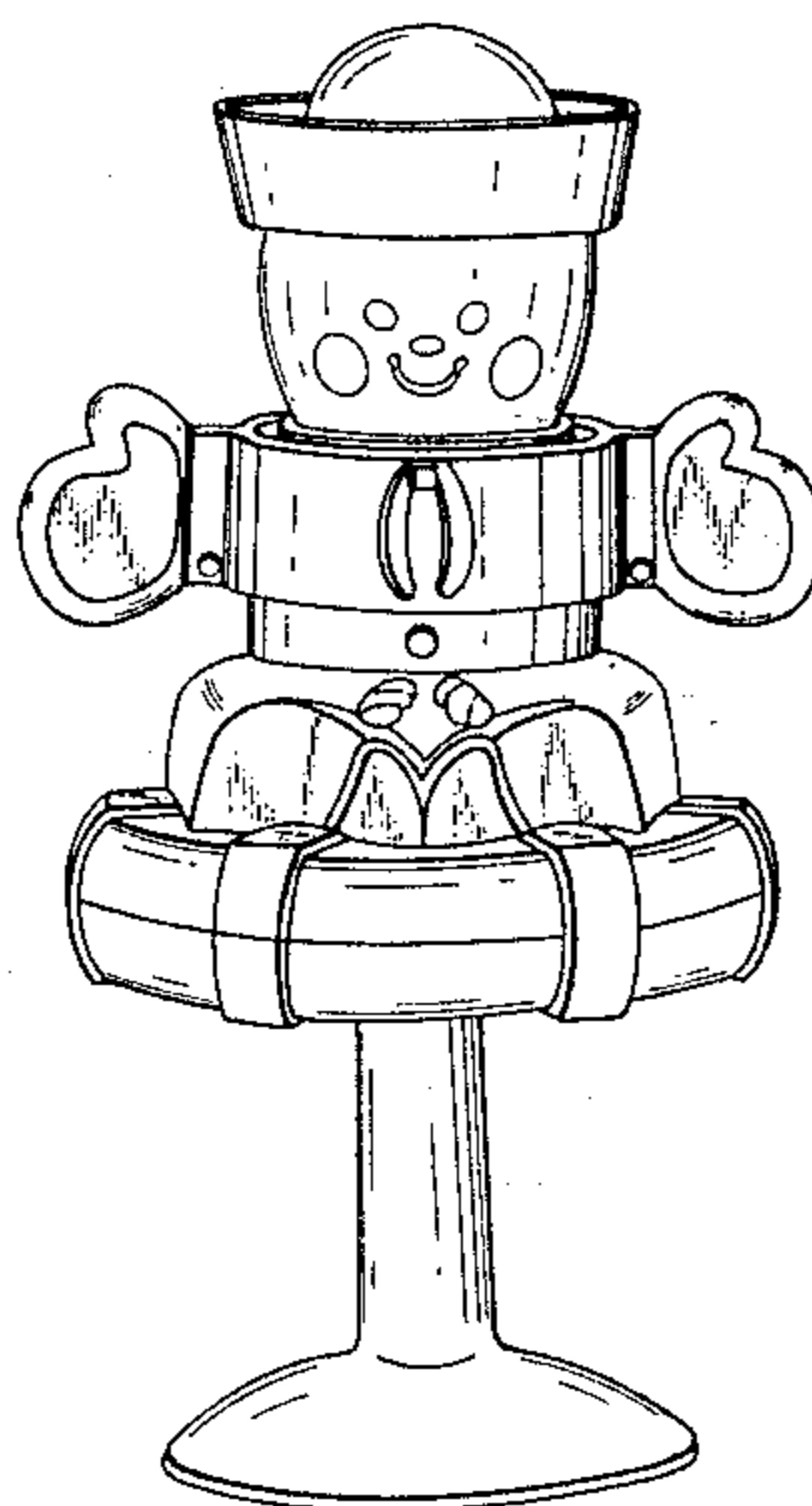
DESCRIPTION

FIG. 1 is a front elevational view of a toy sailor showing my new design;

FIG. 2 is a rear elevational view thereof;

FIG. 3 is a right-side elevational view thereof, the left side being substantially a mirror image thereof; and

FIG. 4 is a bottom plan view thereof.



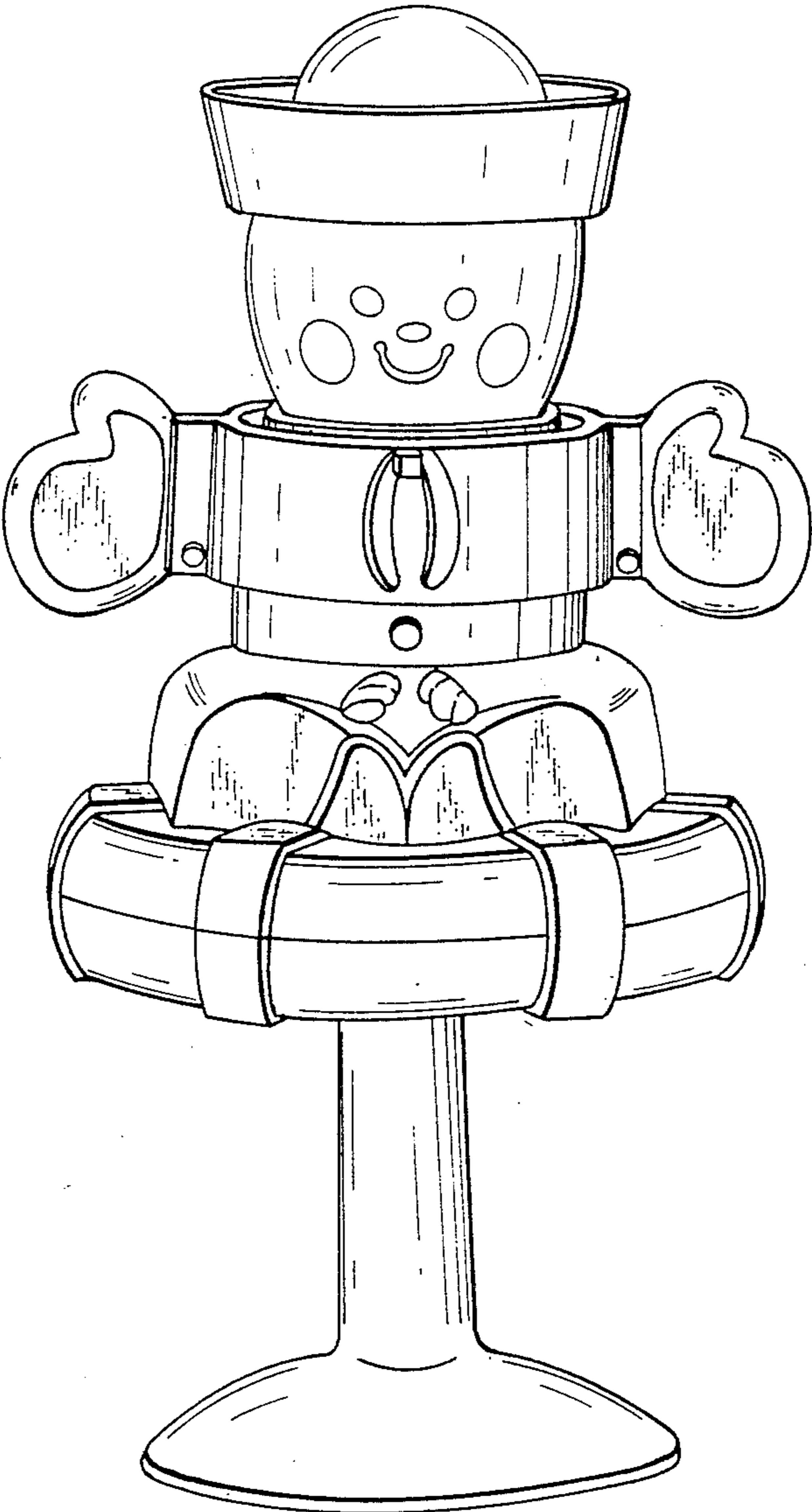


FIG. 1

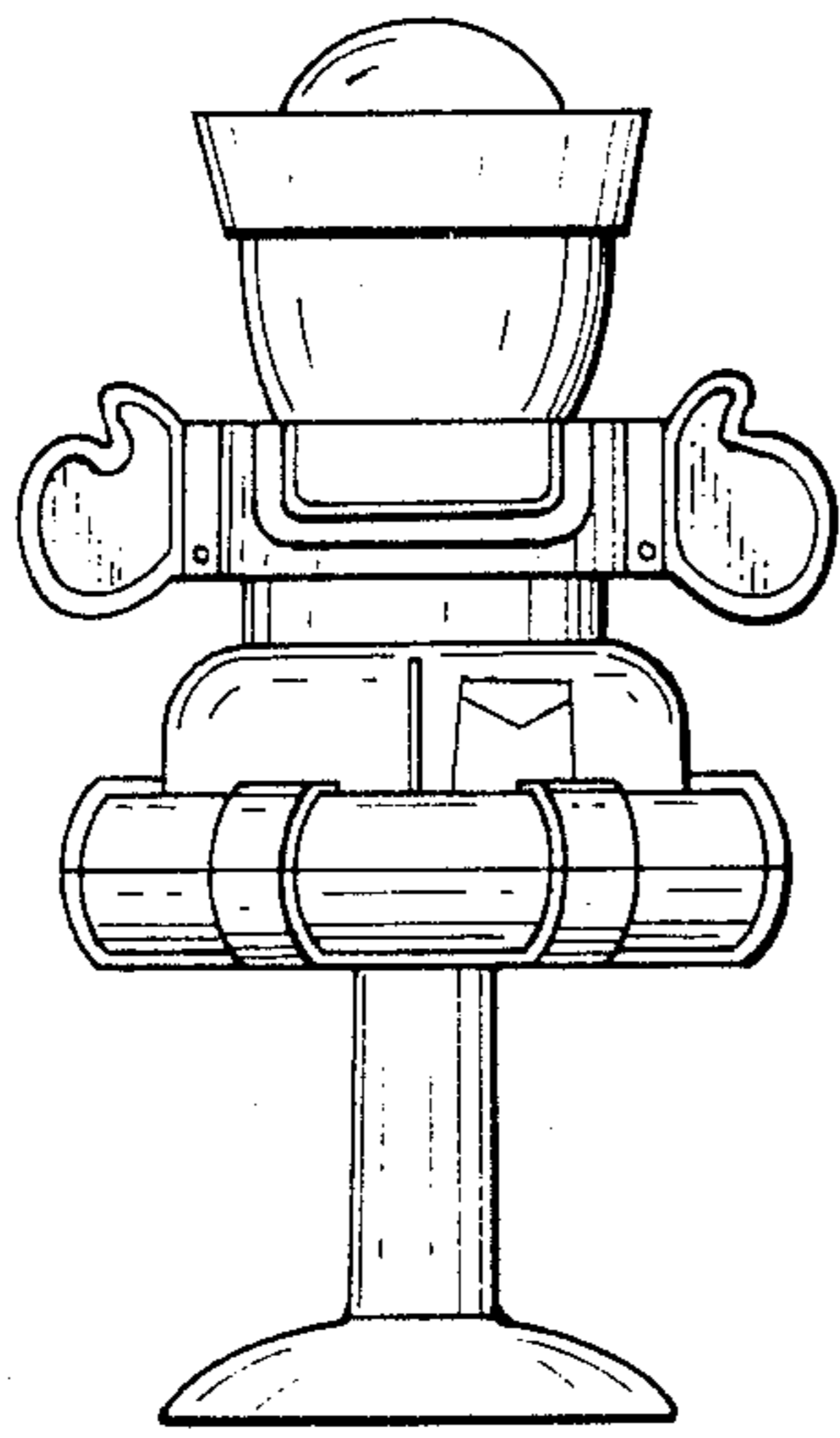


FIG. 2

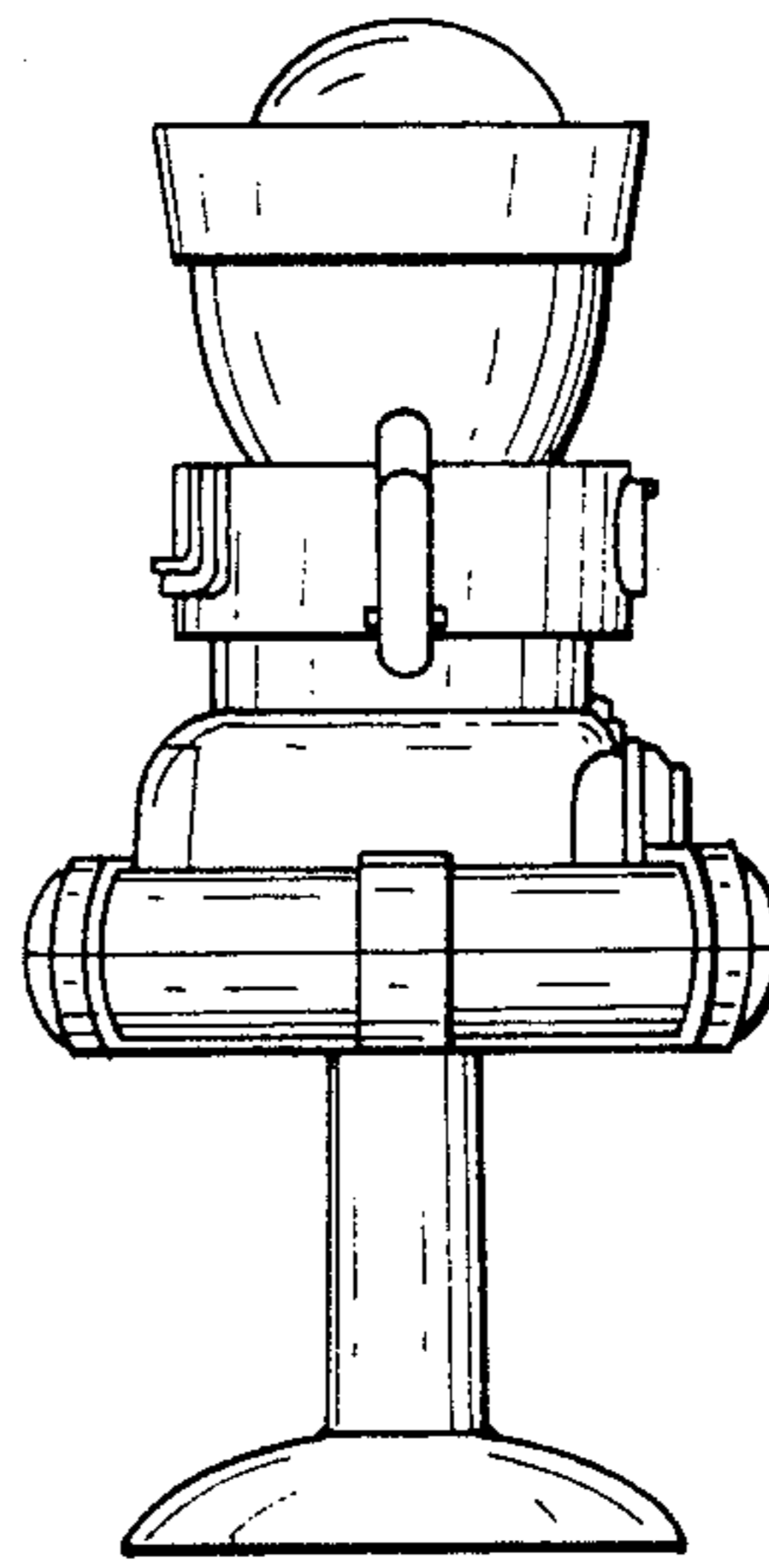


FIG. 3

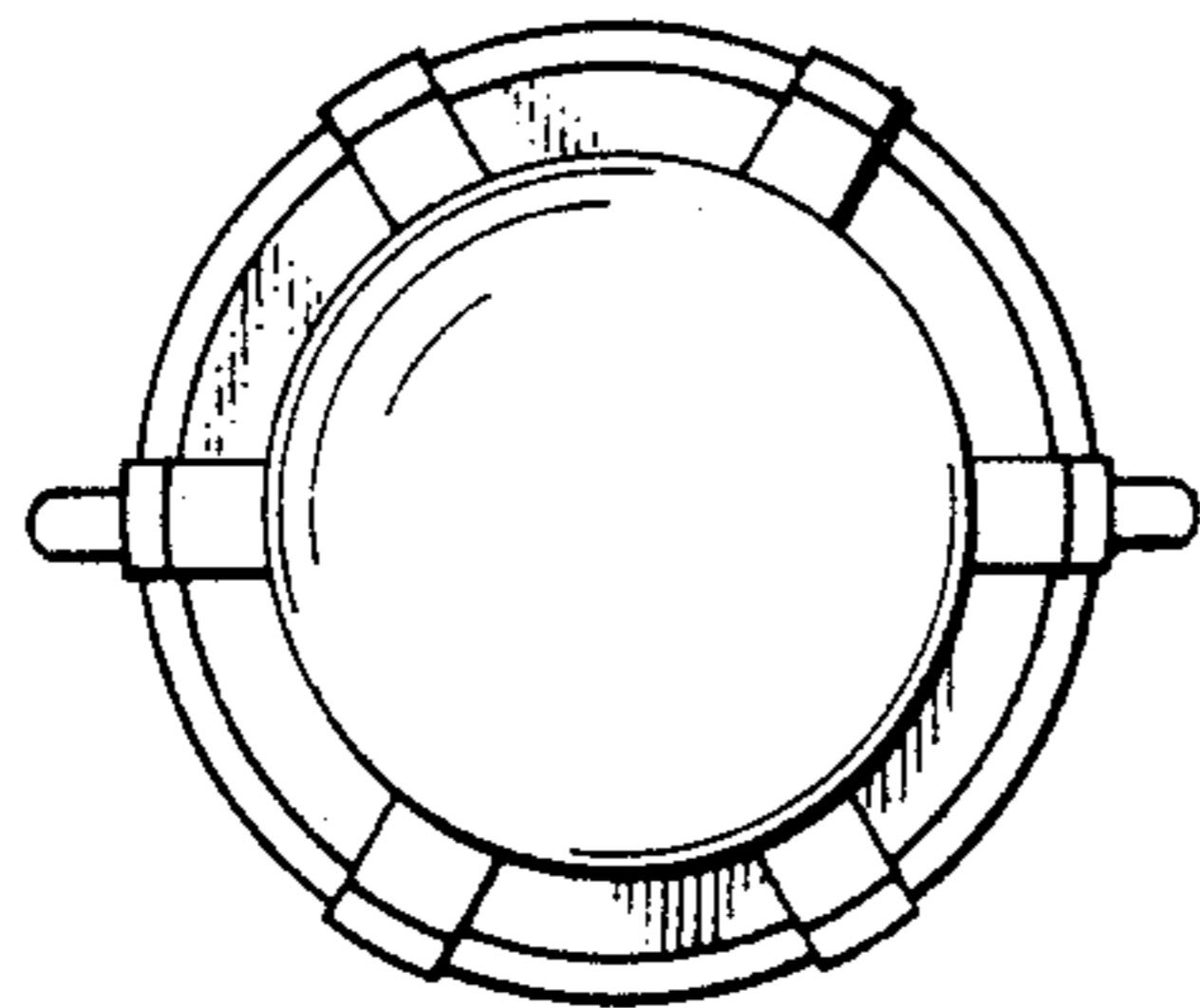


FIG. 4