

[54] TOY VEHICLE CHASSIS

[75] Inventor: Fujio Arigaya, Tanashi, Japan

[73] Assignee: Takara Co., Ltd., Tokyo, Japan

[**] Term: 14 Years

[21] Appl. No.: 549,679

[22] Filed: Nov. 7, 1983

[30] Foreign Application Priority Data

Apr. 10, 1983 [JP] Japan 58-43094

[52] U.S. Cl. D21/141

[58] Field of Search D21/71, 73, 74, 76, D21/78, 81, 128, 130, 134, 136, 137, 140, 141; 446/71, 72, 88, 93, 94, 95, 465, 469, 470, 471

[56] References Cited

U.S. PATENT DOCUMENTS

D. 225,761 1/1973 Munn et al. D21/134

D. 226,572 3/1973 Munn et al. D21/134
2,568,557 9/1951 Newbery 446/72
3,711,989 1/1973 Nielsen et al. 446/469
4,466,215 8/1984 Hanazato 446/471

Primary Examiner—Charles A. Rademaker
Attorney, Agent, or Firm—Price, Gess & Ubell

[57] CLAIM

The ornamental design for a toy vehicle chassis, substantially as shown and described.

DESCRIPTION

FIG. 1 is a front side perspective view of a toy vehicle chassis showing my new design;
FIG. 2 is a top plan view;
FIG. 3 is a right side elevational view the side opposite it substantially a mirror image;
FIG. 4 is a front elevational view;
FIG. 5 is a rear elevational view; and
FIG. 6 is a bottom plan view.

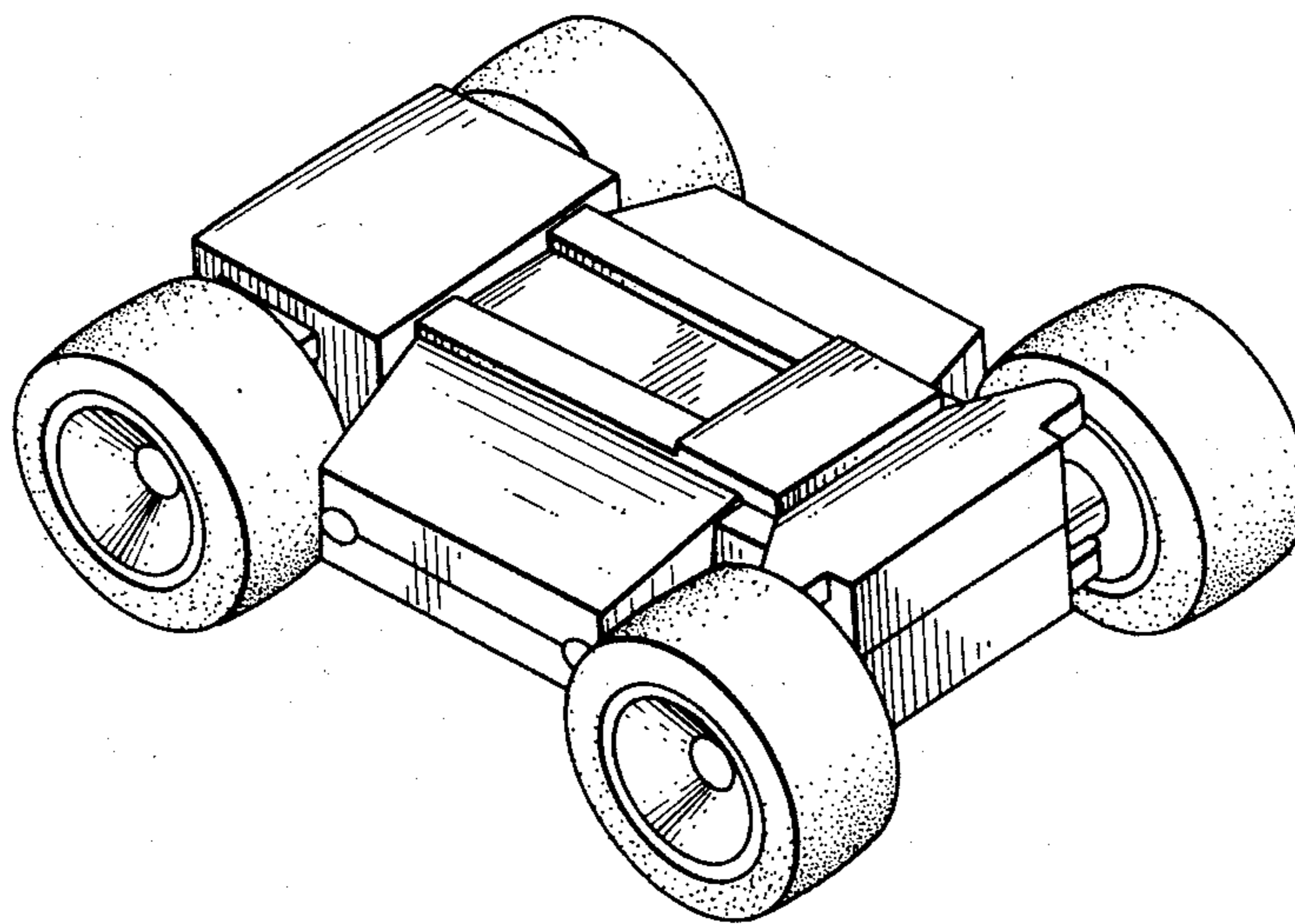


FIG. 1

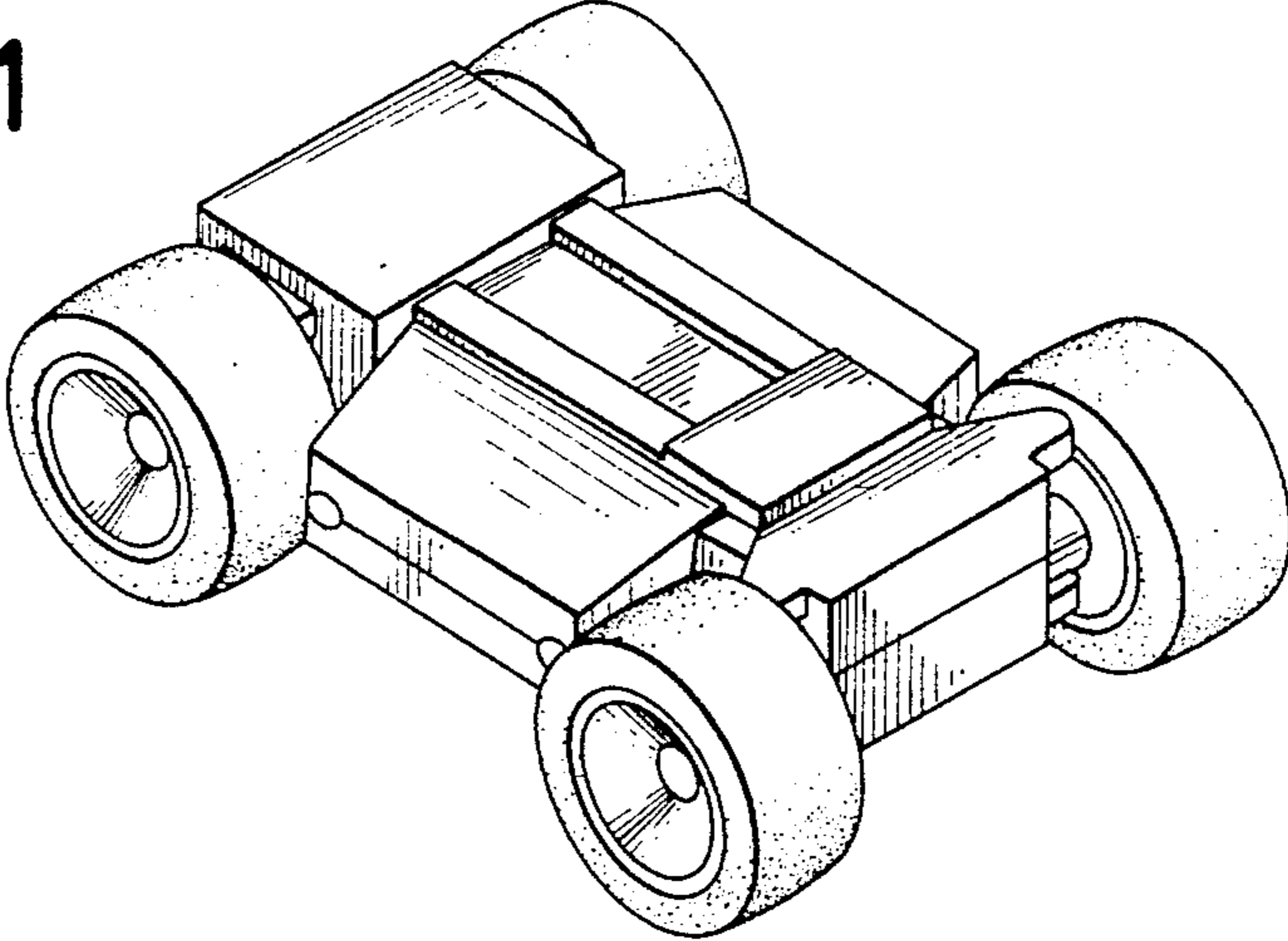


FIG. 2

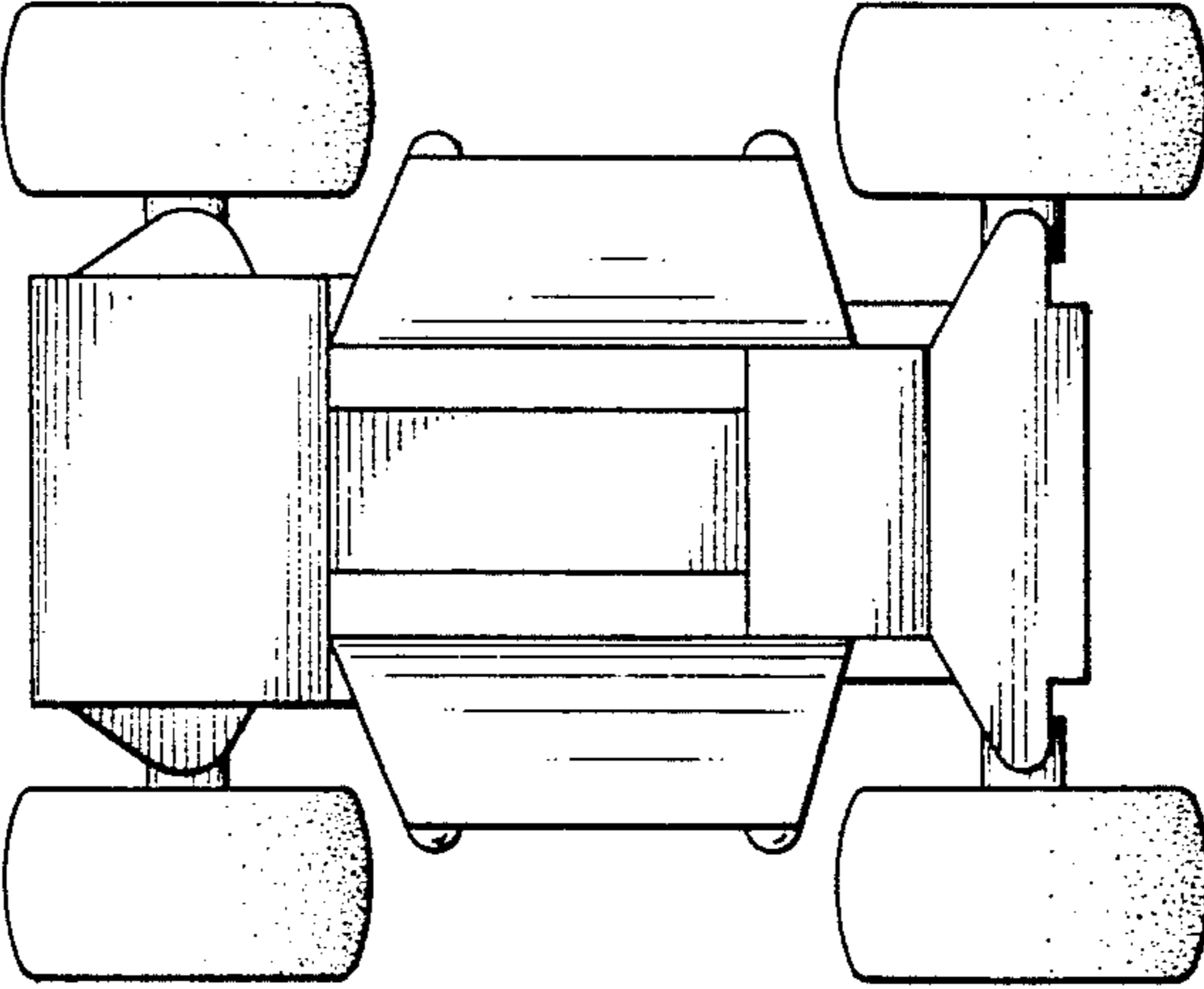


FIG. 3

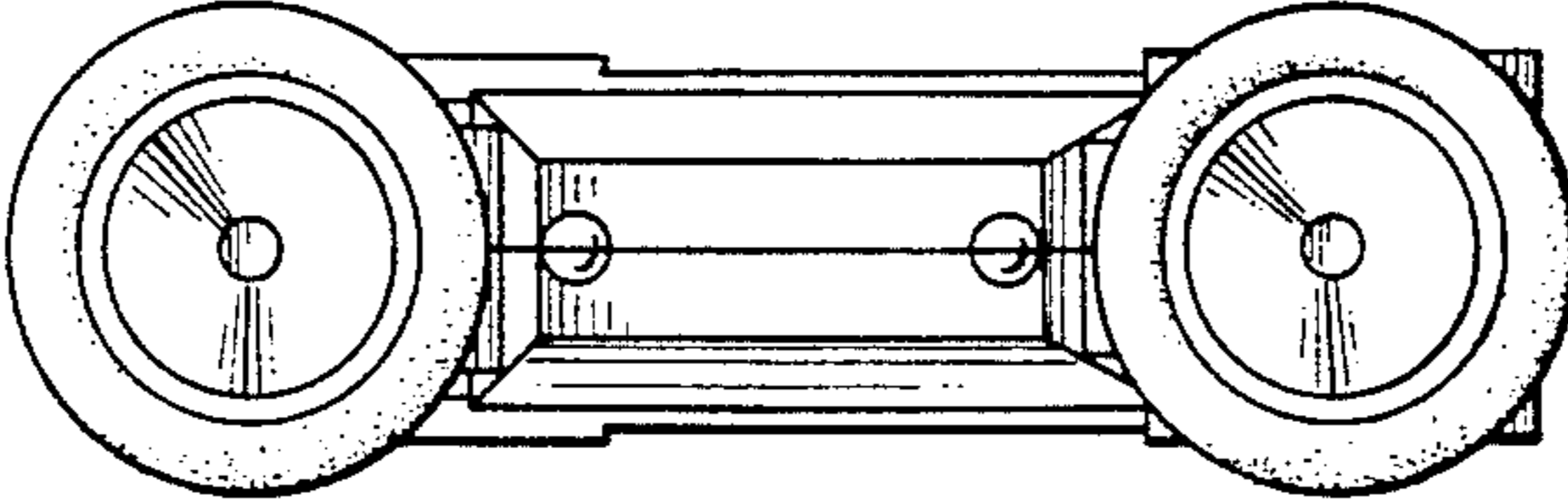


FIG. 4

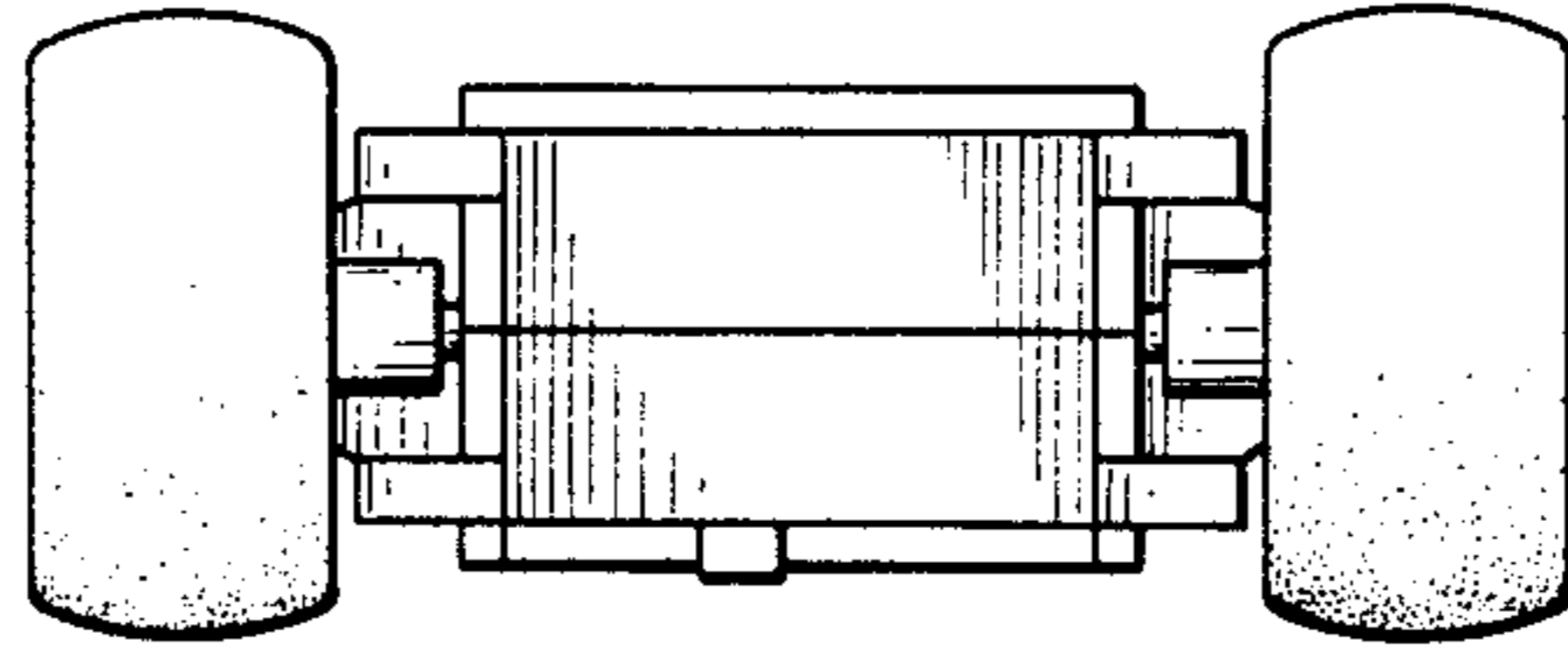


FIG. 5

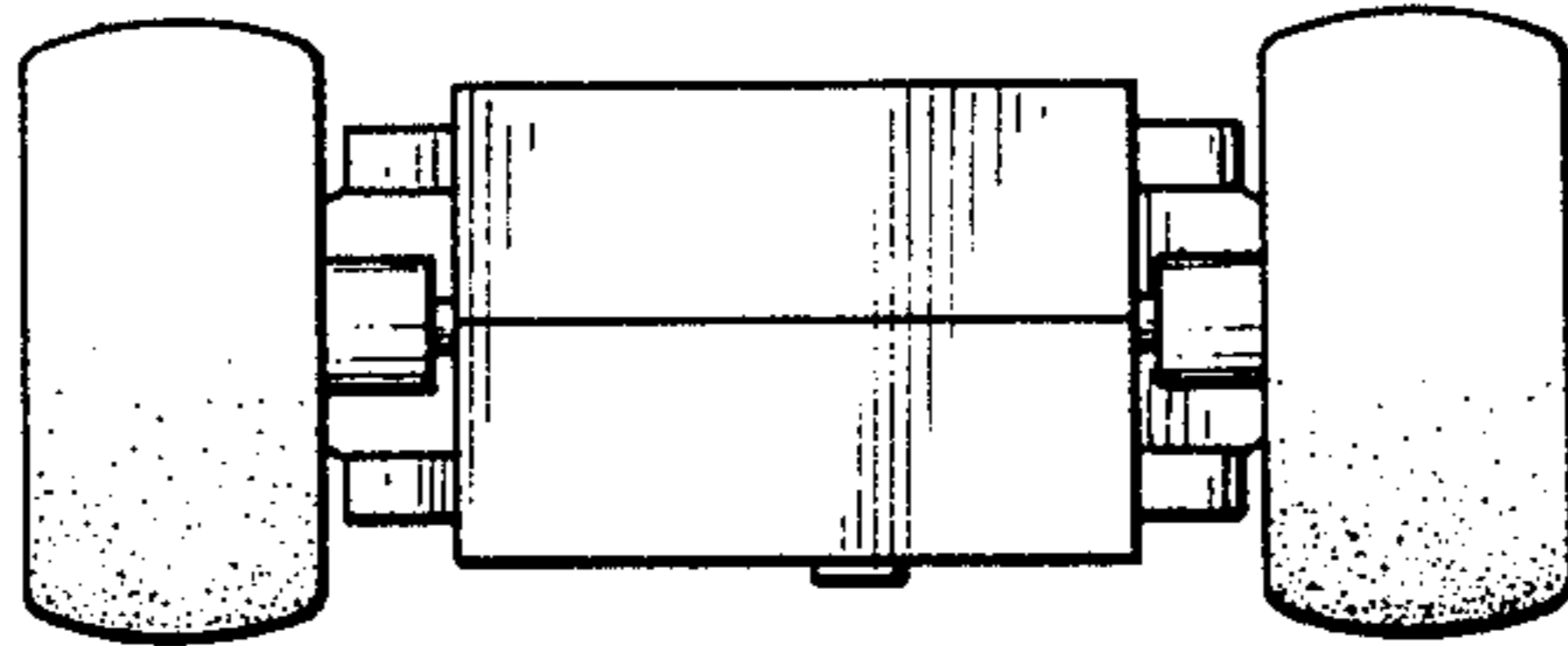


FIG. 6

