

[54] **DIAL CARD**  
 [75] **Inventor: Allen M. Bradenburger, Clarkston, Ga.**  
 [73] **Assignee: Container Corporation of America, Chicago, Ill.**  
 [\*\*] **Term: 14 Years**  
 [21] **Appl. No.: 466,107**  
 [22] **Filed: Feb. 14, 1983**  
 [52] **U.S. Cl. .... D19/1; D10/46.1**  
 [58] **Field of Search ..... 446/151, 152; 40/498; D19/1-2, 6-8, 20, 25, 59; D10/46.1; 434/104, 174, 198, 404, 78**

2,787,852 4/1957 Youngren ..... D19/1  
**FOREIGN PATENT DOCUMENTS**  
 1436958 3/1966 France ..... 40/495

*Primary Examiner—George P. Word*  
*Attorney, Agent, or Firm—Richard W. Carpenter*

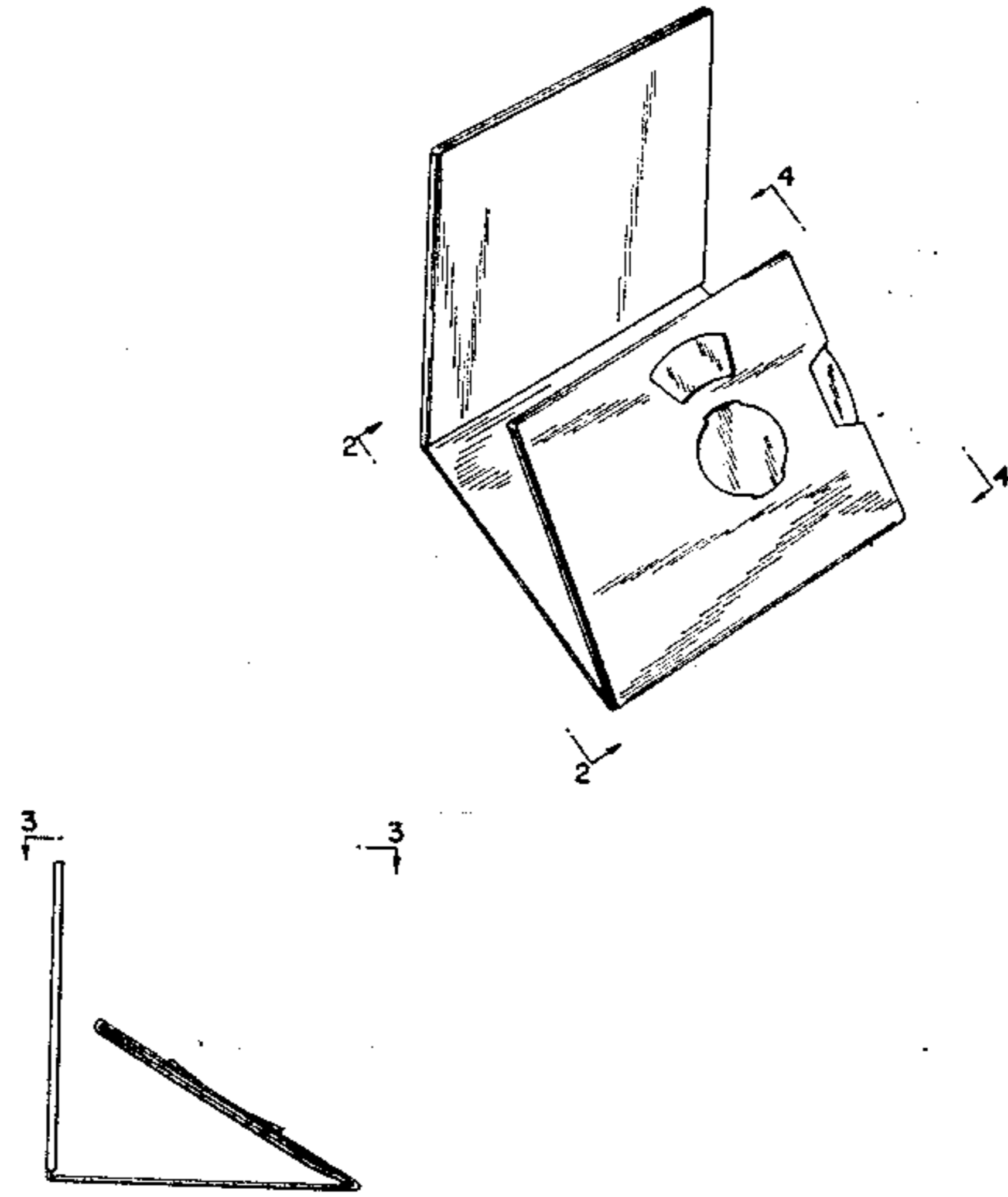
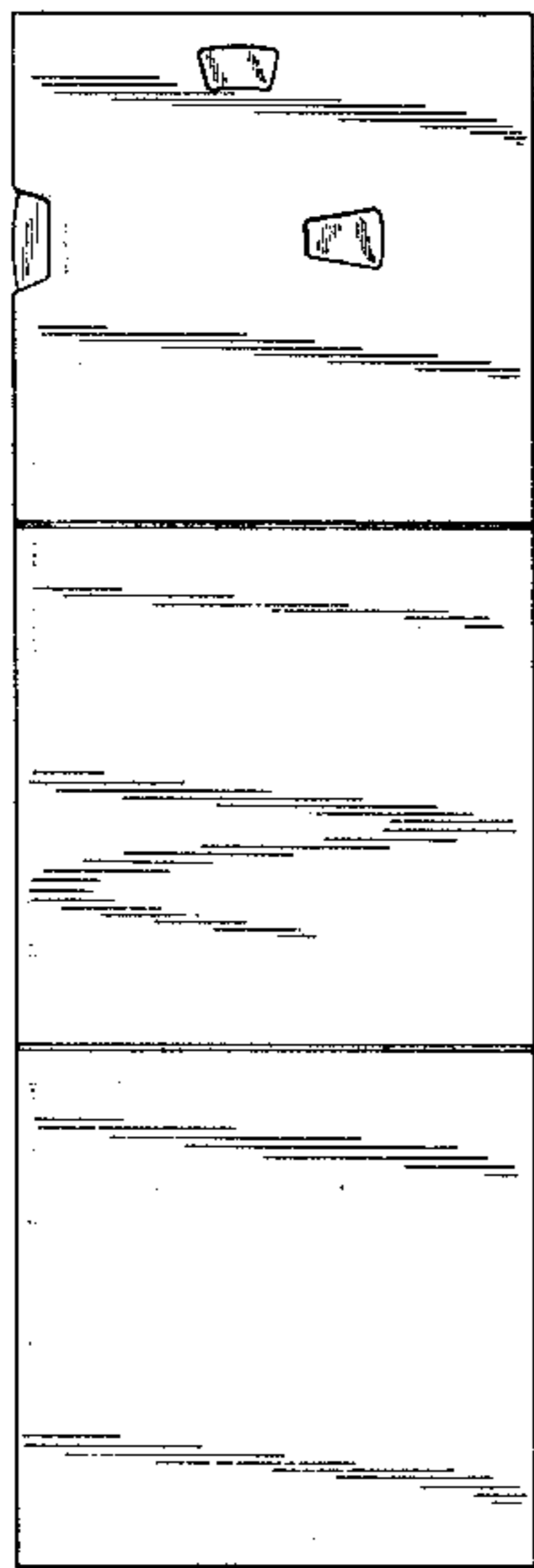
[57] **CLAIM**

The ornamental design for a dial card, as shown and described.

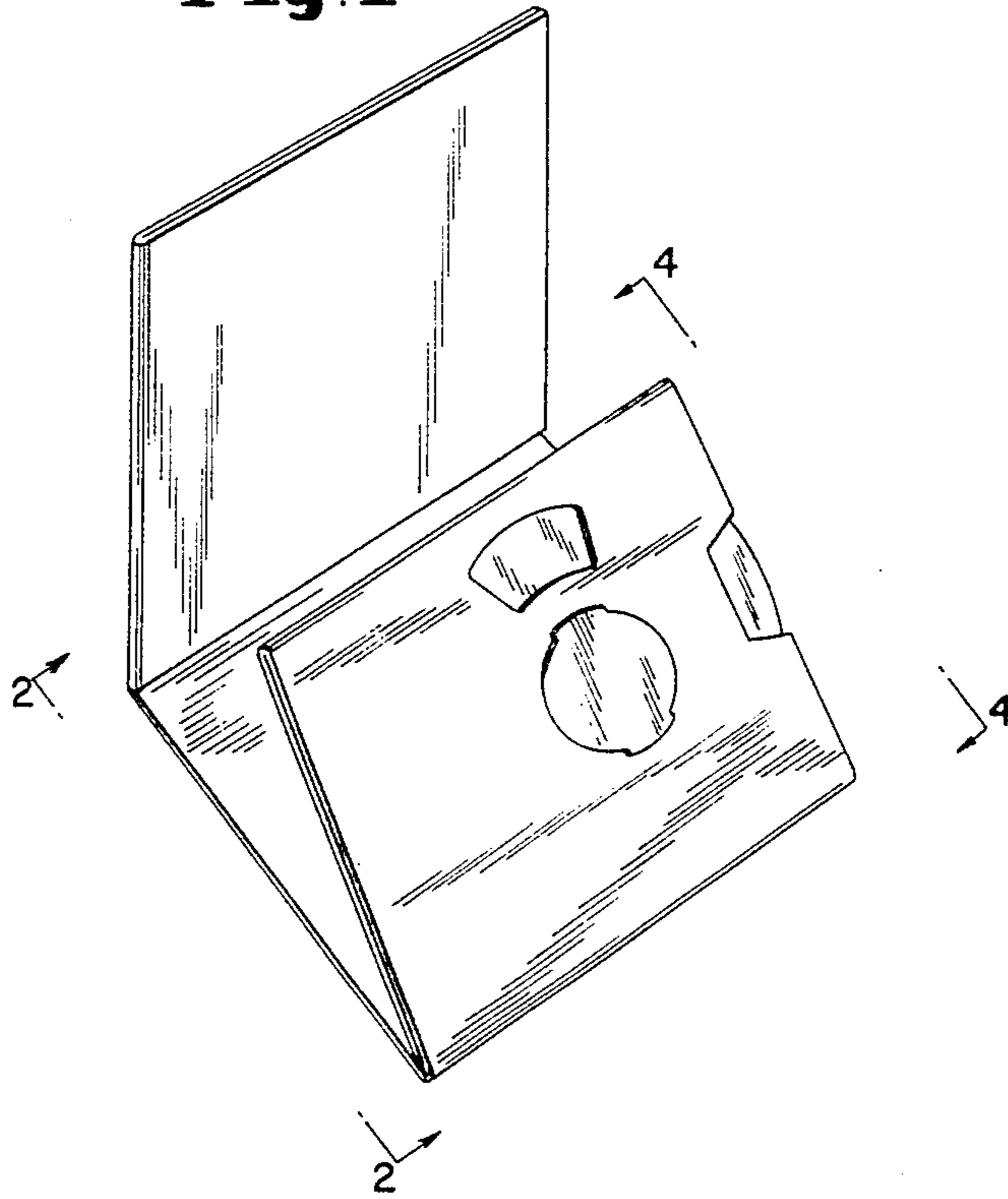
**DESCRIPTION**

FIG. 1 is a perspective view of a dial card showing my new design in a partially folded condition;  
 FIG. 2 is a front elevational view taken in the direction of line 2—2 of FIG. 1;  
 FIG. 3 is a top plan view taken in the direction of line 3—3 of FIG. 2;  
 FIG. 4 is a rear elevational view taken in the direction of line 4—4 of FIG. 1;  
 FIG. 5 is a top plan view thereof in the unfolded condition; and  
 FIG. 6 is a bottom plan view of FIG. 5.

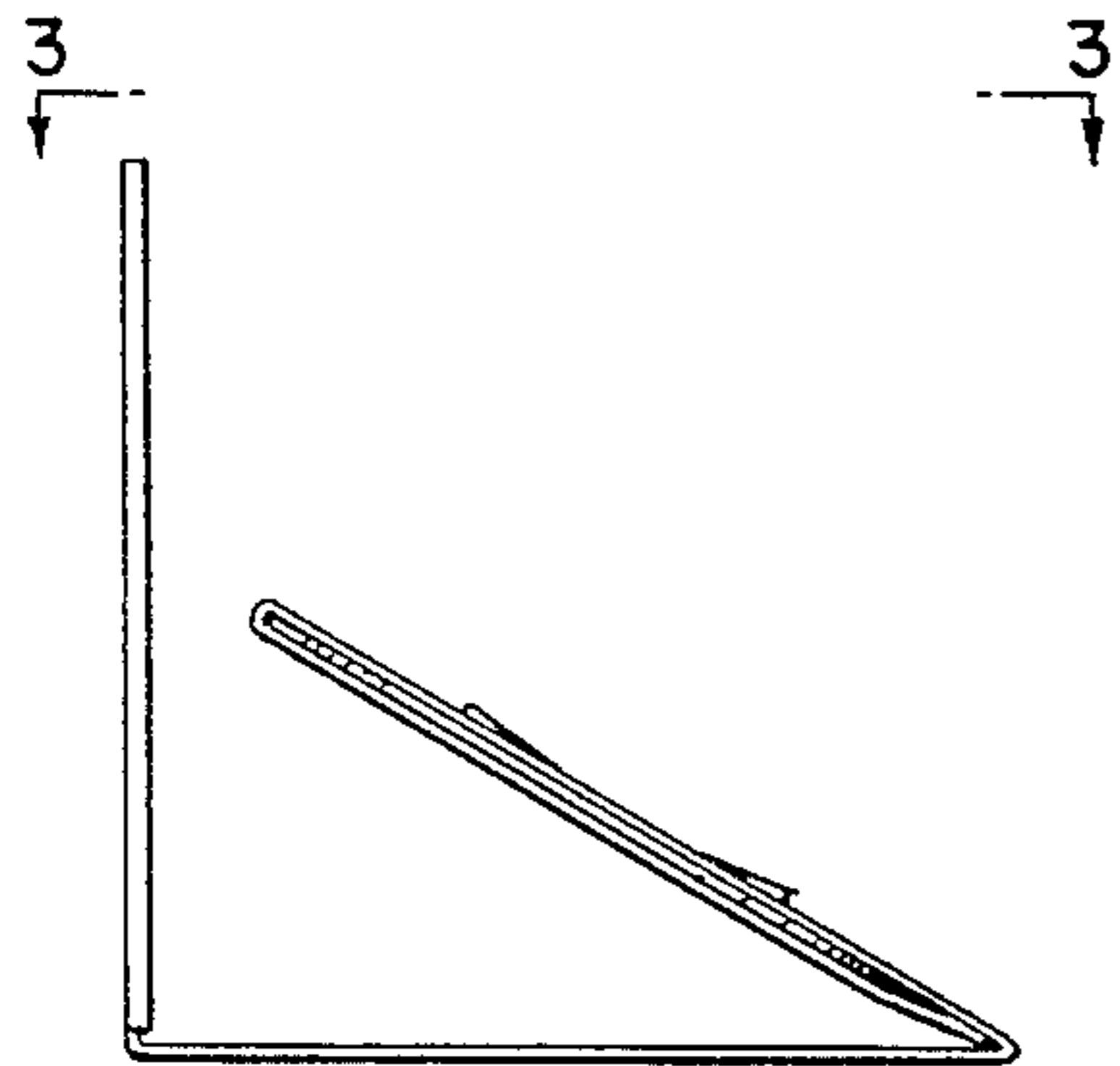
[56] **References Cited**  
**U.S. PATENT DOCUMENTS**  
 D. 155,740 10/1949 Shaw et al. .... 40/495  
 D. 252,916 9/1979 Van Exel ..... D10/46.1  
 1,202,586 10/1916 Rindskopf ..... 434/7 F  
 2,016,445 10/1935 Massey ..... 40/495  
 2,201,888 5/1940 Deutsch ..... 434/104



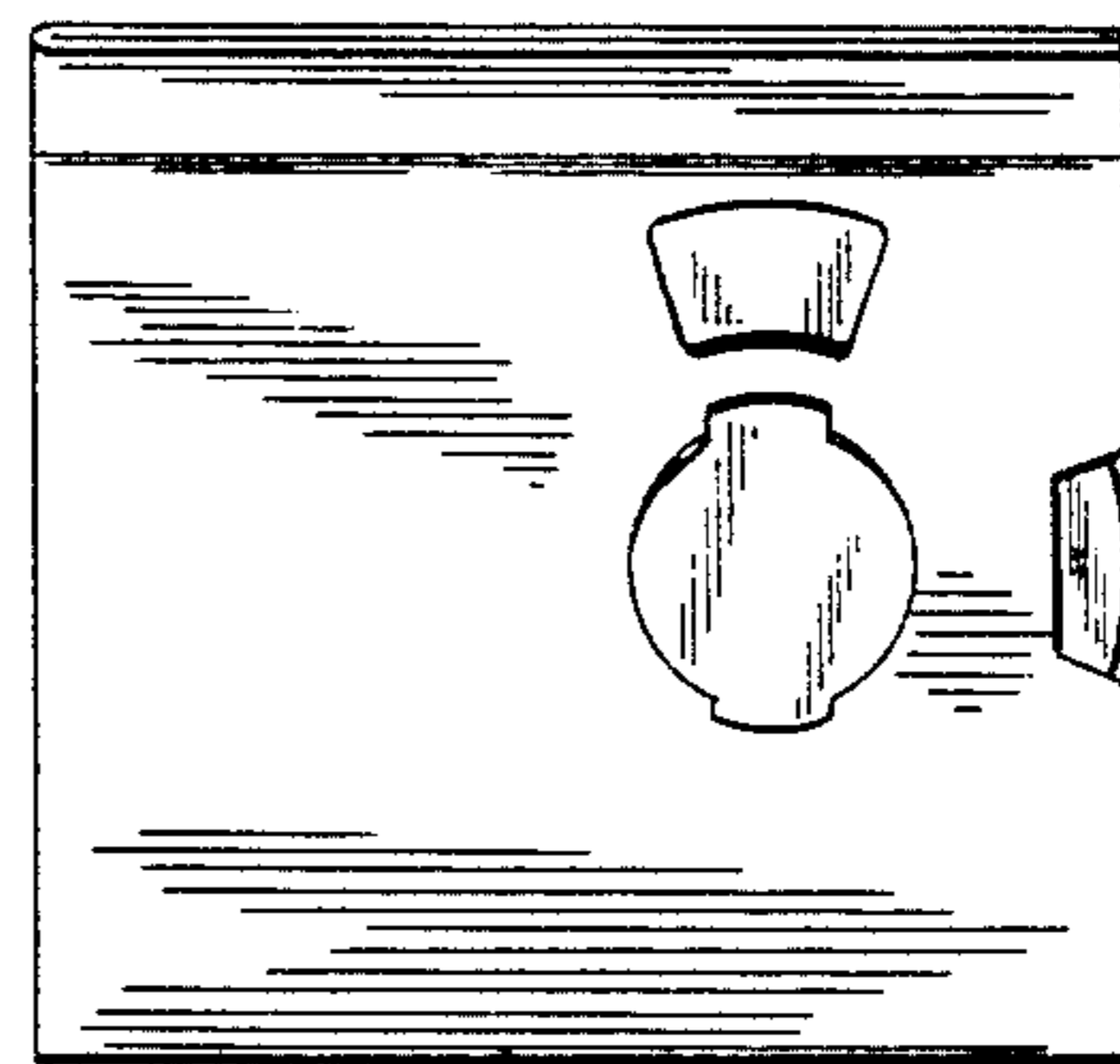
**Fig. 1**



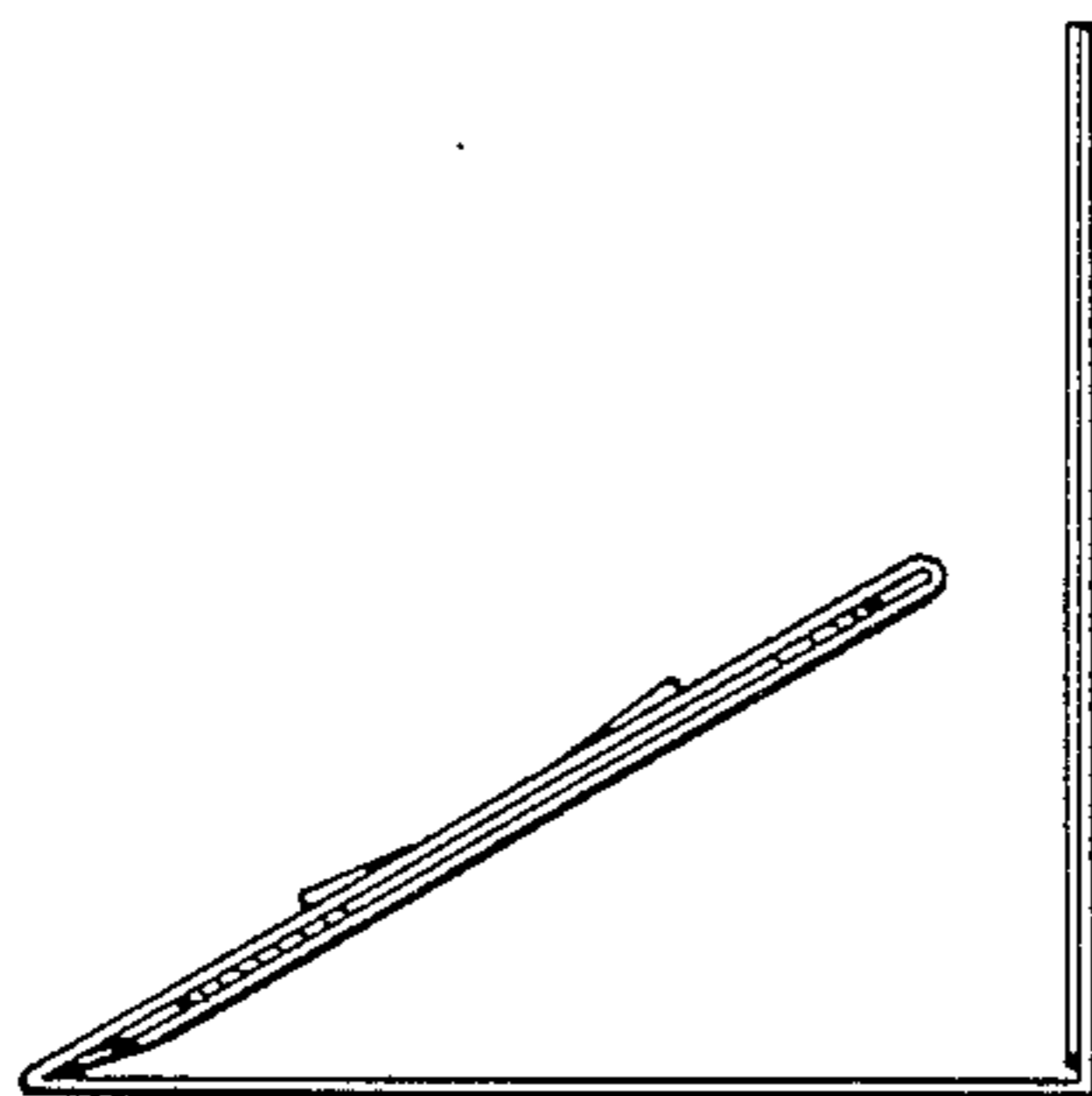
**Fig. 2**



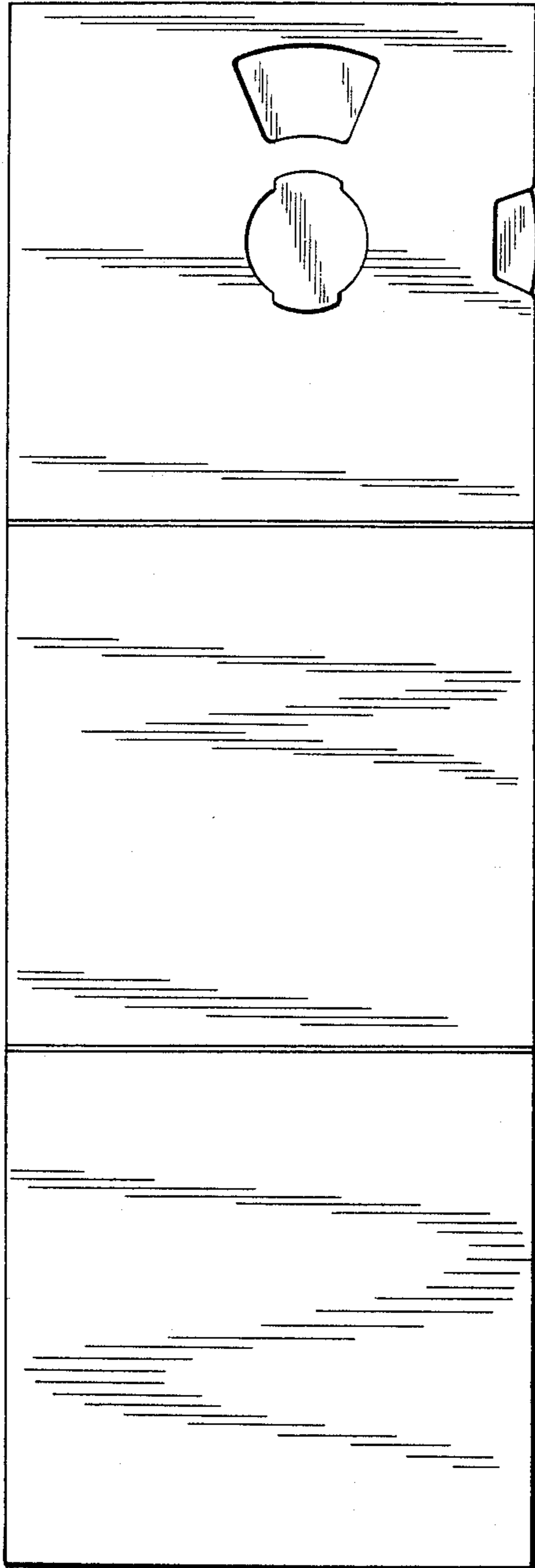
**Fig. 3**



**Fig. 4**



**Fig. 5**



**Fig. 6**

