

[54] **GUITAR BODY**

[76] **Inventor:** Charles N. Marquardt, 11550 Cerry St., Coon Rapids, Minn. 55433

[**] **Term:** 14 Years

[21] **Appl. No.:** 487,888

[22] **Filed:** Apr. 22, 1983

[52] **U.S. Cl.** D17/18

[58] **Field of Search** D17/14, 18-21;
84/267, 290-292

[56] **References Cited**

U.S. PATENT DOCUMENTS

D. 177,709	5/1956	Barrick	D17/18
D. 178,580	8/1956	Rubovits	D17/18
D. 181,867	1/1958	McCarty	D17/19
D. 263,601	3/1982	Klein	D17/18
D. 274,734	7/1984	Sowle	D17/18 X

OTHER PUBLICATIONS

Dean Guitars advertisement from Jan. 1981 issue of Guitar Player.
Gibson advertisement from Jan. 1981 issue of Guitar Player.
Ibanez advertisement from Jan. 1981 issue of Guitar Player.
B. C. Rich Guitar Co. advertisement from Jan. 1981 issue of Guitar Player.
Kramer advertisement.

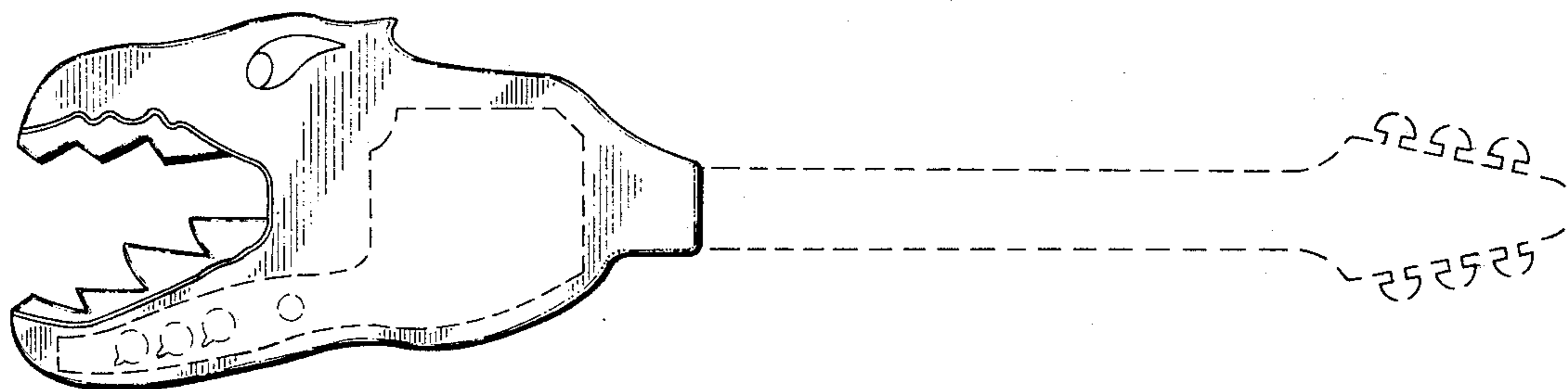
Primary Examiner—Jane E. Corrigan
Attorney, Agent, or Firm—Schroeder & Siegfried

[57] **CLAIM**

The ornamental design for a guitar body, as shown and described.

DESCRIPTION

FIG. 1 is a front elevational view of a guitar body showing my new design;
FIG. 2 is a right side elevational view;
FIG. 3 is a rear elevational view;
FIG. 4 is a left side elevational view;
FIG. 5 is a bottom plan view; and
FIG. 6 is a top plan view.



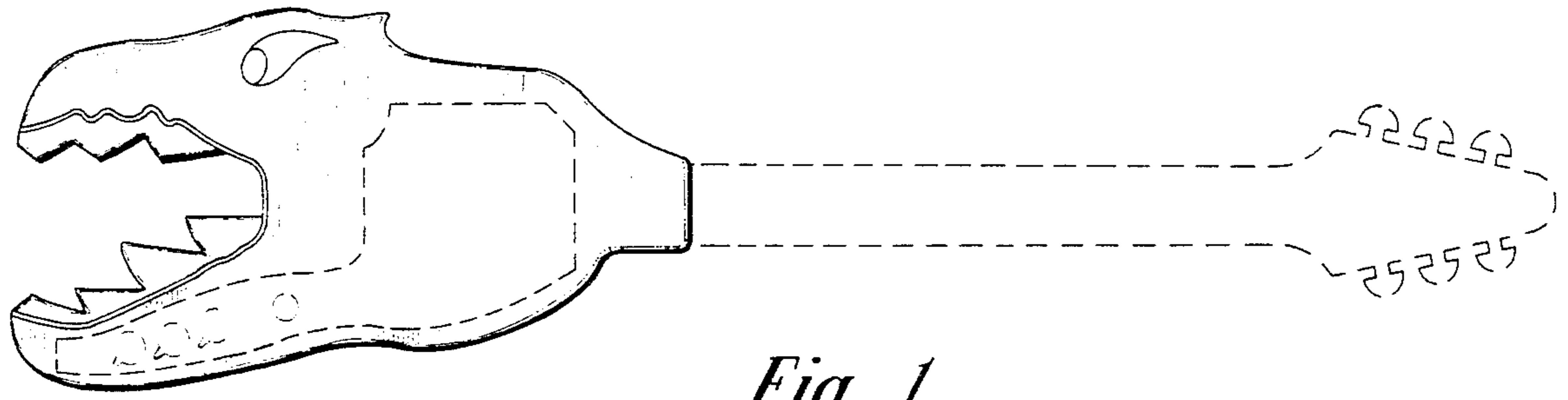


Fig 1

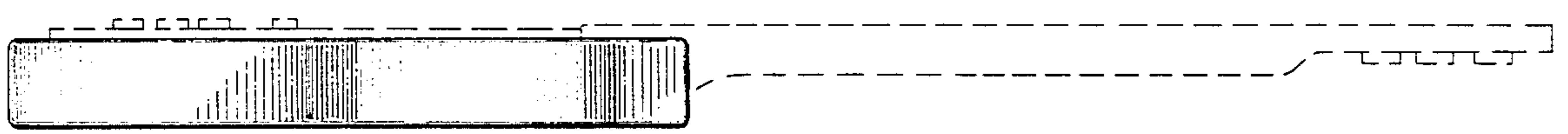


Fig 2

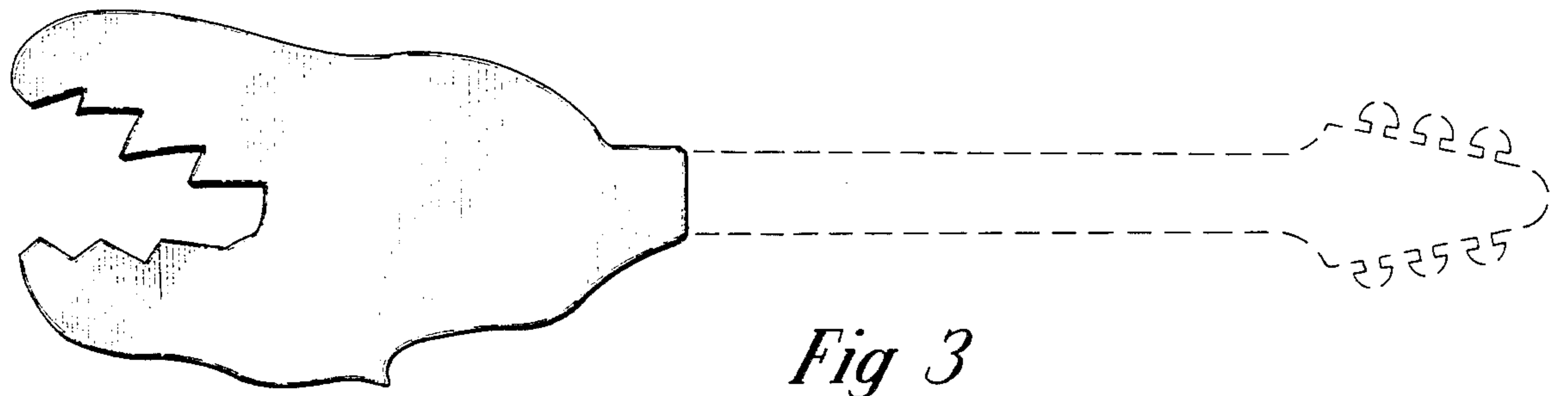


Fig 3

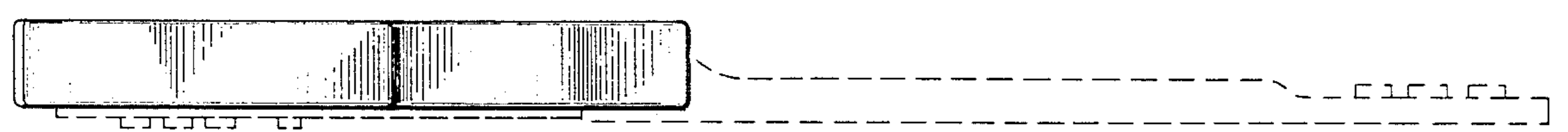


Fig 4



Fig 5



Fig 6