

[54] COMBINATION GRAIN GRADER

[56] References Cited

[75] Inventors: Hubert L. Hornhardt; Geoffrey G. Nuske, both of Adelaide, Australia

U.S. PATENT DOCUMENTS

3,019,945	2/1962	Pattillo	222/623
3,366,281	1/1968	Wilder	222/616
3,587,933	6/1971	Regnier	222/610
4,138,163	2/1979	Calvert et al.	222/610
4,359,952	11/1982	Gesior et al.	222/616

[73] Assignee: Alf Hannaford & Co. Pty. Ltd., Beverley, Australia

Primary Examiner—B. J. Bullock
Assistant Examiner—Suzanne N. Gitlin
Attorney, Agent, or Firm—Oldham, Oldham & Weber Co.

[**] Term: 14 Years

[57] CLAIM

[21] Appl. No.: 465,171

The ornamental design for a combination grain grader, substantially as shown and described.

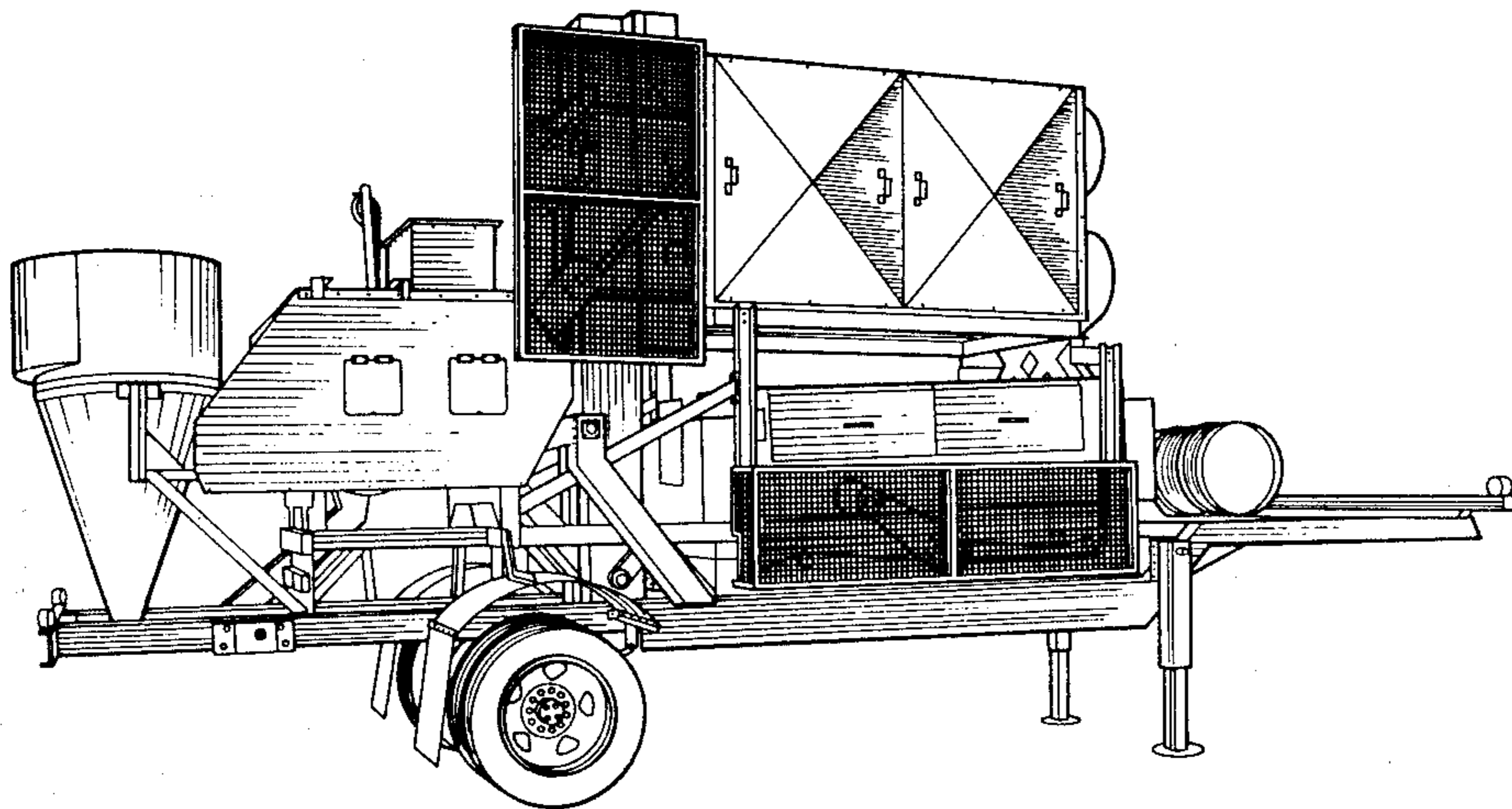
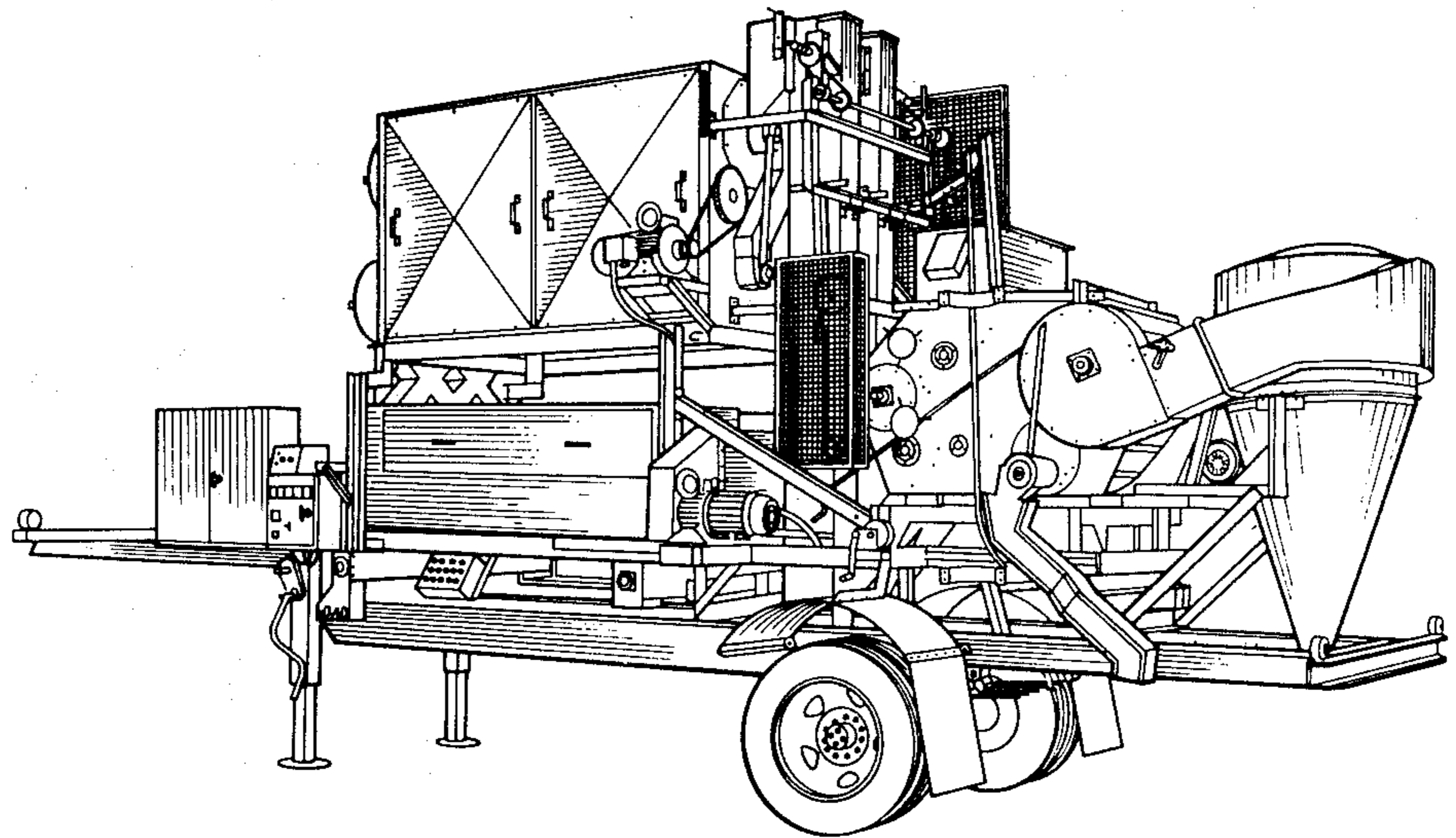
[22] Filed: Feb. 9, 1983

DESCRIPTION

[30] Foreign Application Priority Data

Sep. 9, 1982	[AU]	Australia	1527/82
[52]	U.S. Cl.	D15/27; D15/10
[58]	Field of Search	D15/10, 13, 27; 222/610, 616, 617, 623

FIG. 1 is a left side perspective view of a combination grain grader showing our new design;
FIG. 2 is a rear, right side perspective view thereof;
FIG. 3 is a front perspective view thereof;
FIG. 4 is a rear perspective view thereof;
FIG. 5 is a top plan view thereof.



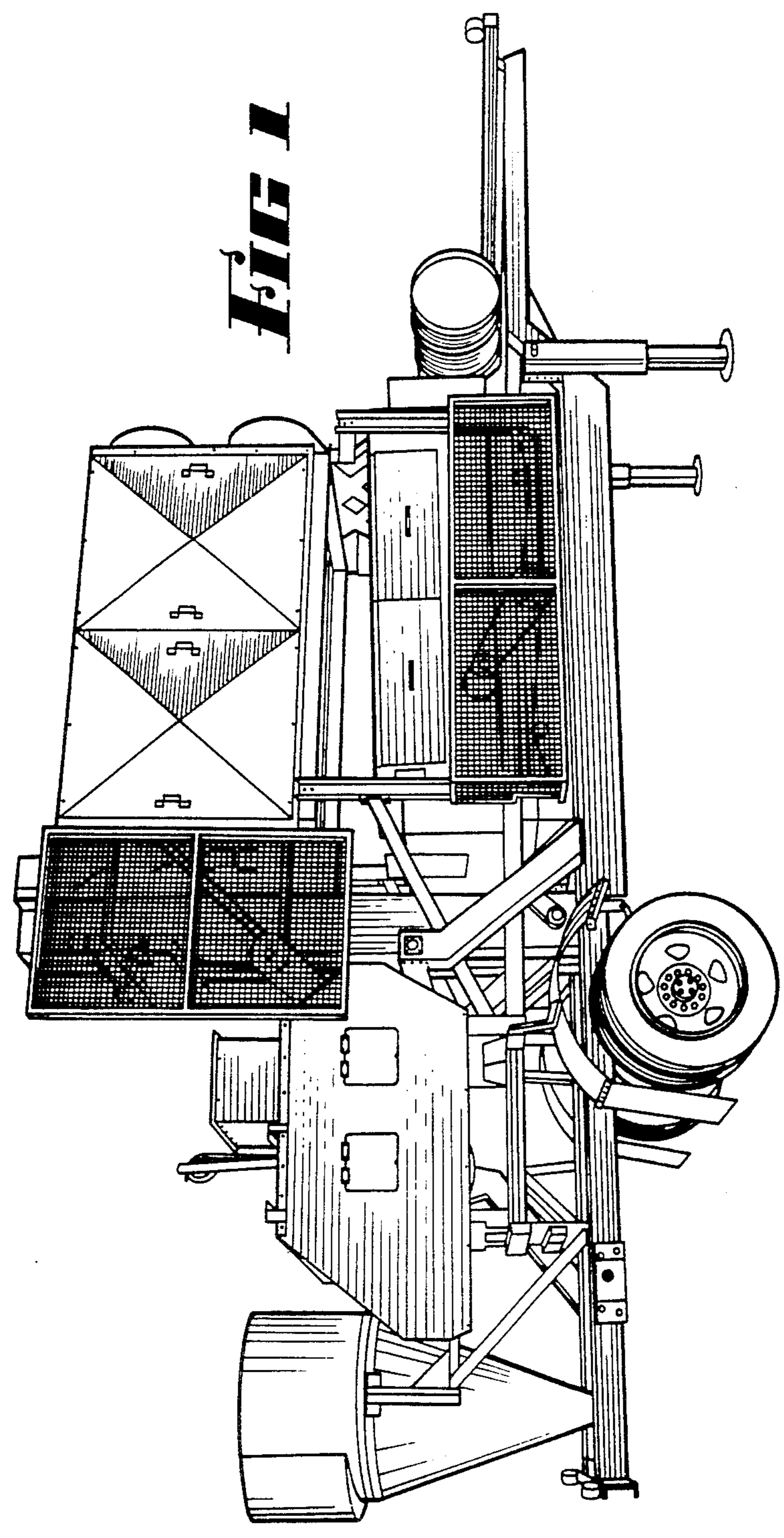


FIG 1

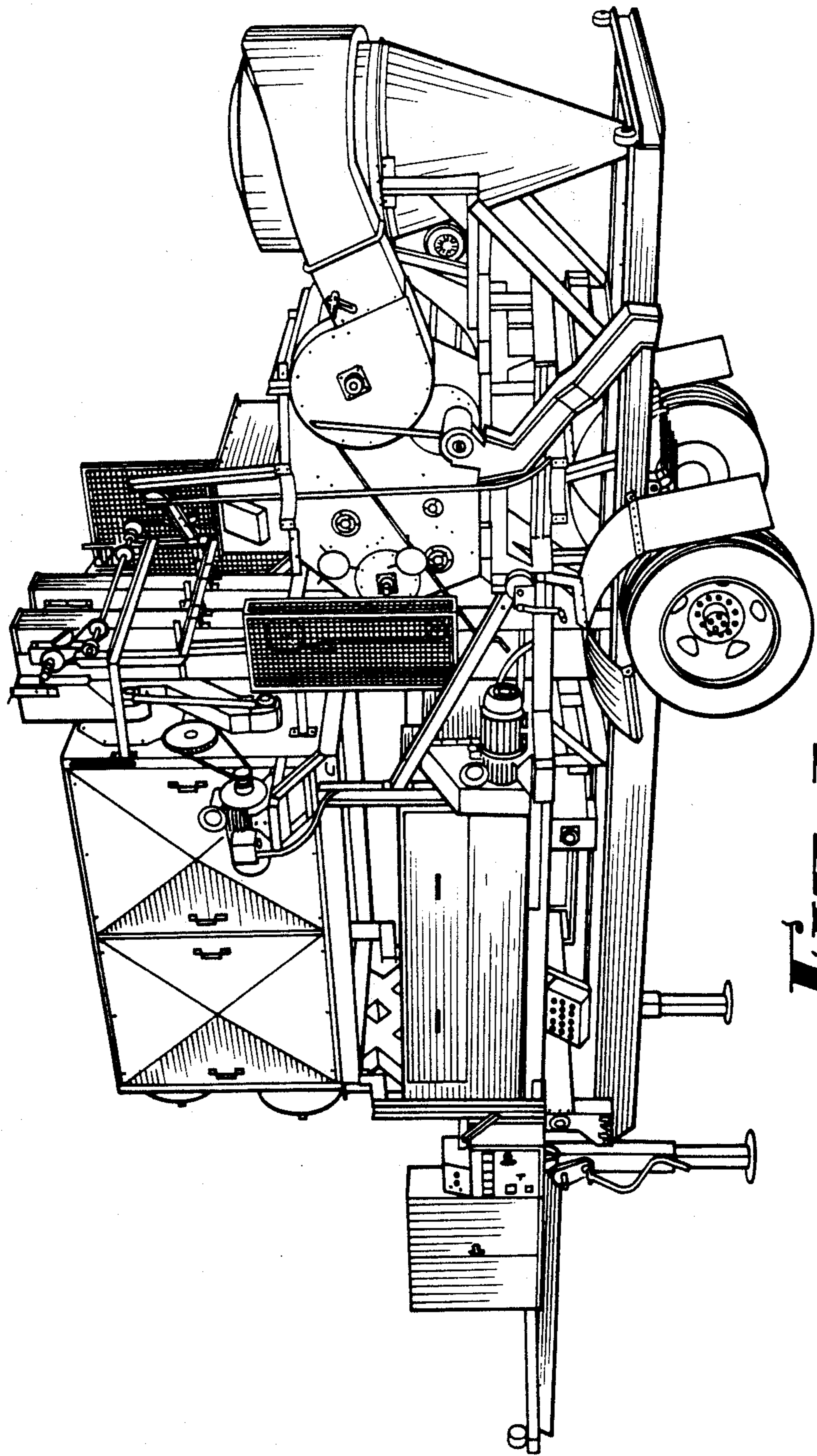


FIG 2

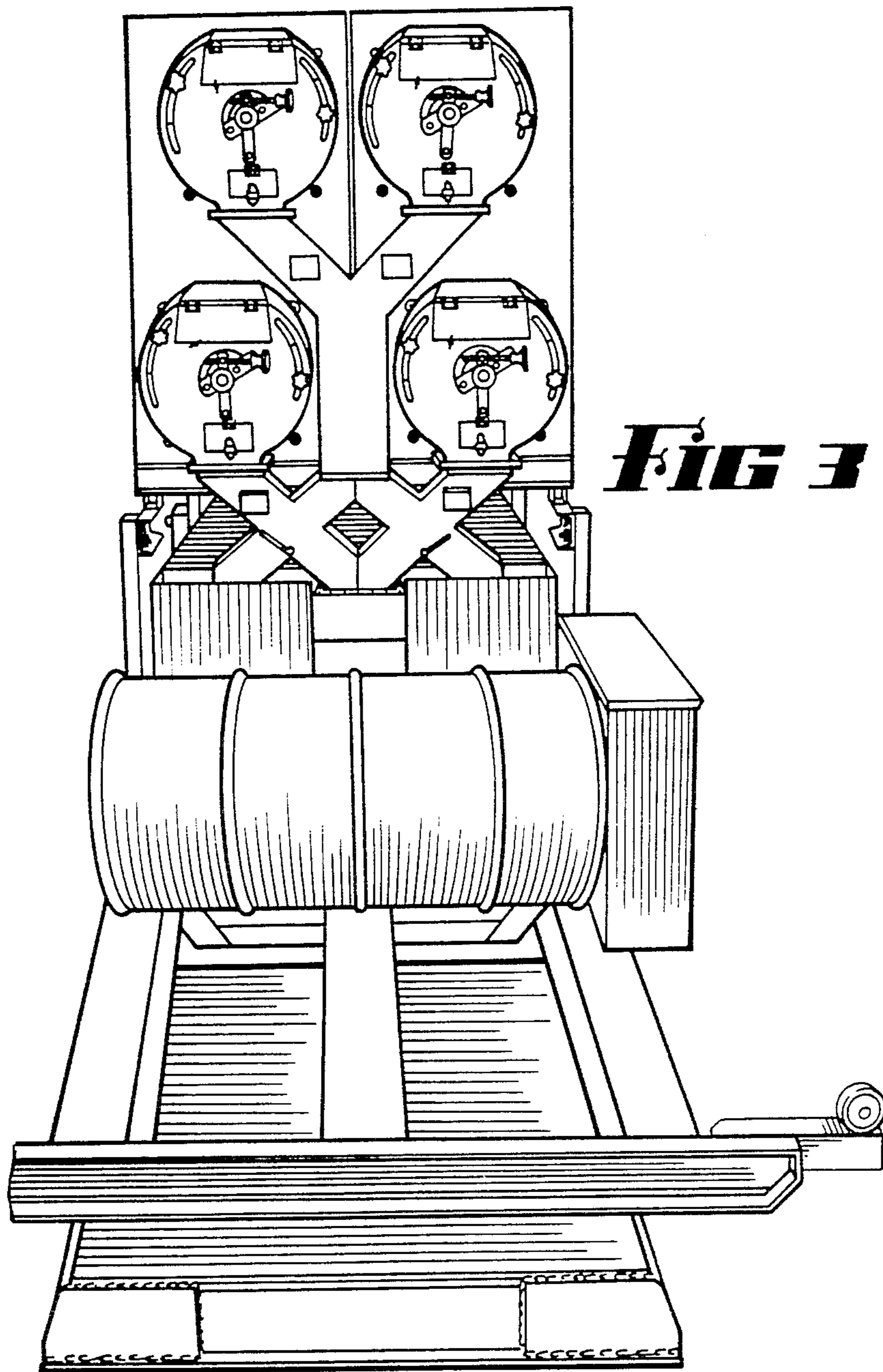


FIG 3

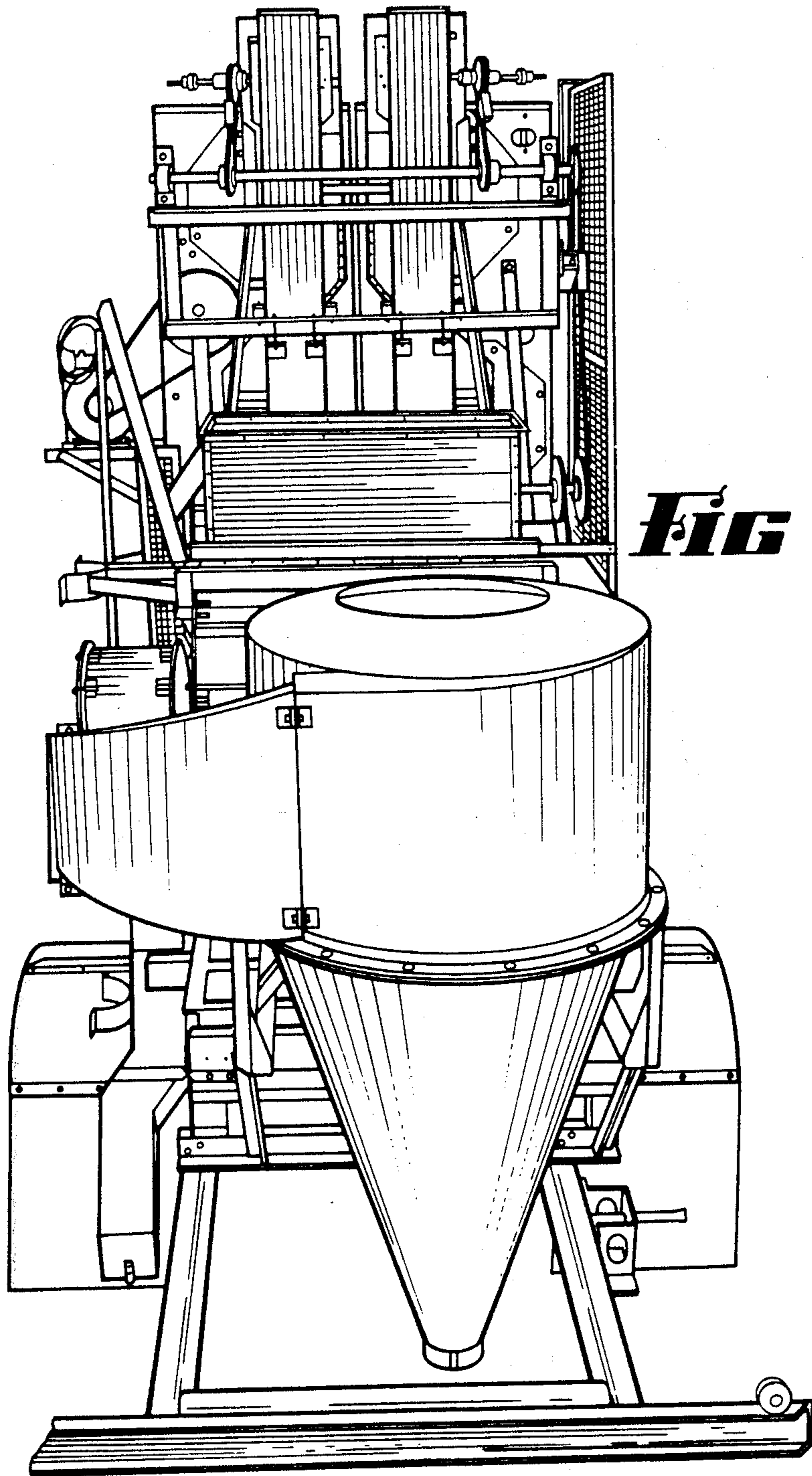


FIG 4

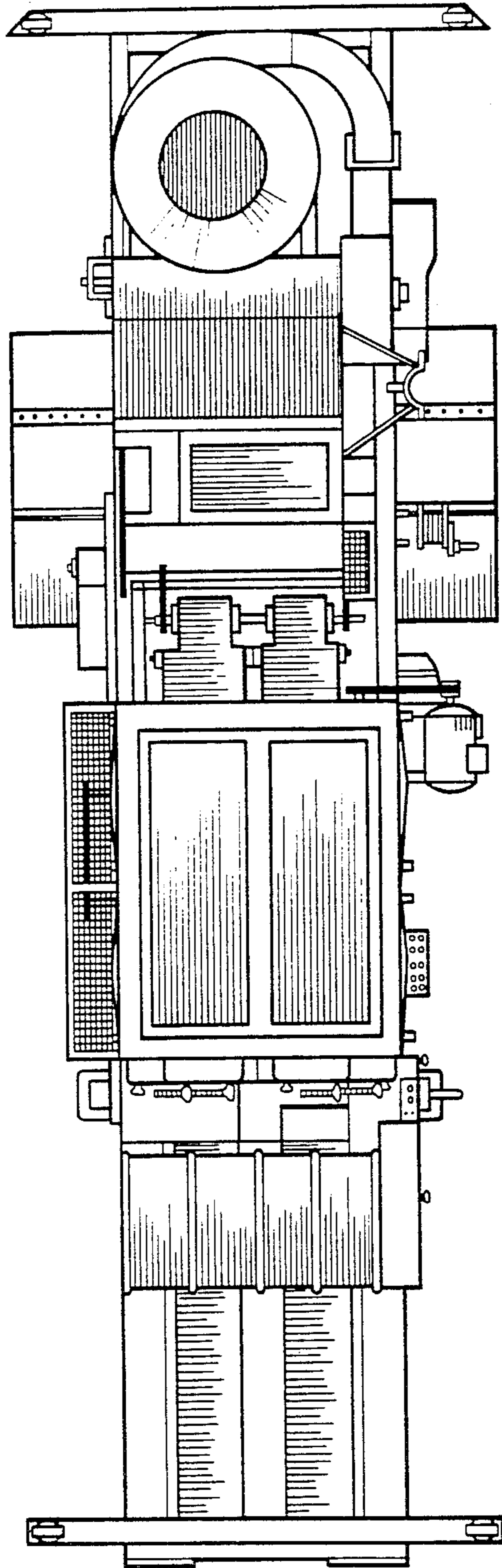


FIG 5