

[54] PUMP

[75] Inventors: Richard A. Lametto, West Redding; Clark A. Schuyler, Jr., Norwalk, both of Conn.

[73] Assignee: The Nash Engineering Company, Norwalk, Conn.

[**] Term: 14 Years

[21] Appl. No.: 557,955

[22] Filed: Dec. 5, 1983

[52] U.S. Cl. D15/7

[58] Field of Search D15/7, 9; 417/63, 54

[56] References Cited

U.S. PATENT DOCUMENTS

D. 110,935	8/1938	Voorhees et al.	D15/7
D. 202,145	8/1965	Schroeder et al.	D15/7
D. 229,236	11/1973	Doolin	D15/7
3,154,240	10/1964	Jennings	230/79
3,217,975	11/1965	Jennings	230/79
3,351,272	11/1967	Jennings	230/79
3,712,764	1/1973	Shearwood	418/68
3,846,046	11/1974	Roe et al.	417/54
4,257,747	3/1981	Goldman	417/63

OTHER PUBLICATIONS

Bulletin No. 406-I, "Installation and Operation; Nash

Vacuum Pumps; CL Series-Sizes 3000-4000-60-00-9000", Nash Engineering Company, 1966.

Bulletin No. 472-G, "Nash® Type CL Vacuum Pumps", Nash Engineering Company, 1971.

Bulletin No. 473-A, "The Nash® Principle of Operation or . . .", Nash Engineering Company, 8-80.

Bulletin No. 512-A, "Installation and Operation; Nash Vacuum Pumps; AU CL Series-Size 14000", Nash Engineering Company, 1974.

Primary Examiner—Wallace R. Burke

Assistant Examiner—Lynn Wilder

Attorney, Agent, or Firm—Robert R. Jackson; David W. Plant

[57] CLAIM

The ornamental design for a pump, as shown.

DESCRIPTION

FIG. 1 is a perspective view of a pump showing our new design;

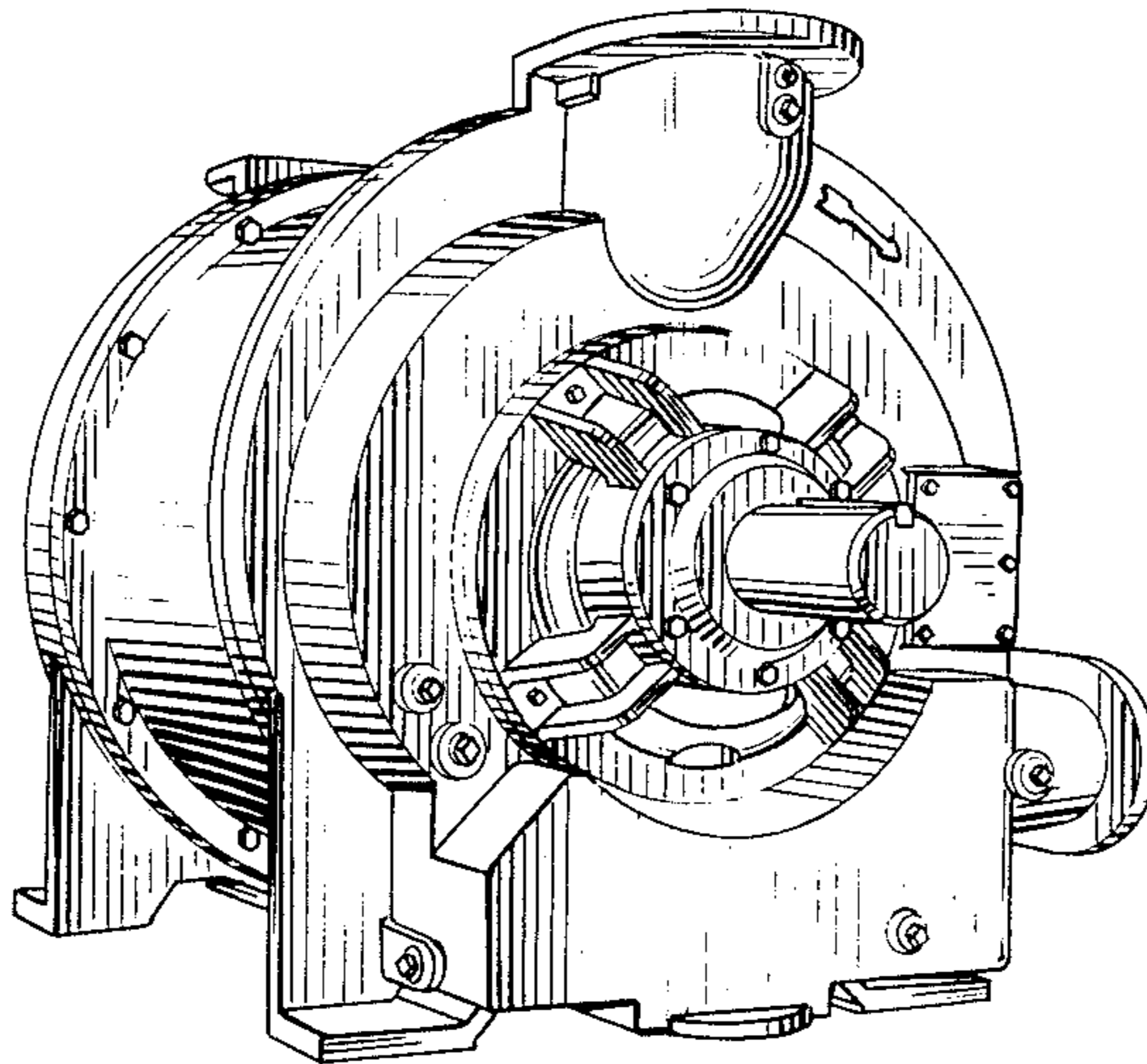
FIG. 2 is an end elevational view thereof, the opposite end being a mirror image;

FIG. 3 is an elevational view of one side thereof;

FIG. 4 is an elevational view of the opposite side thereof;

FIG. 5 is a top plan view thereof;

FIG. 6 is a bottom plan view thereof.



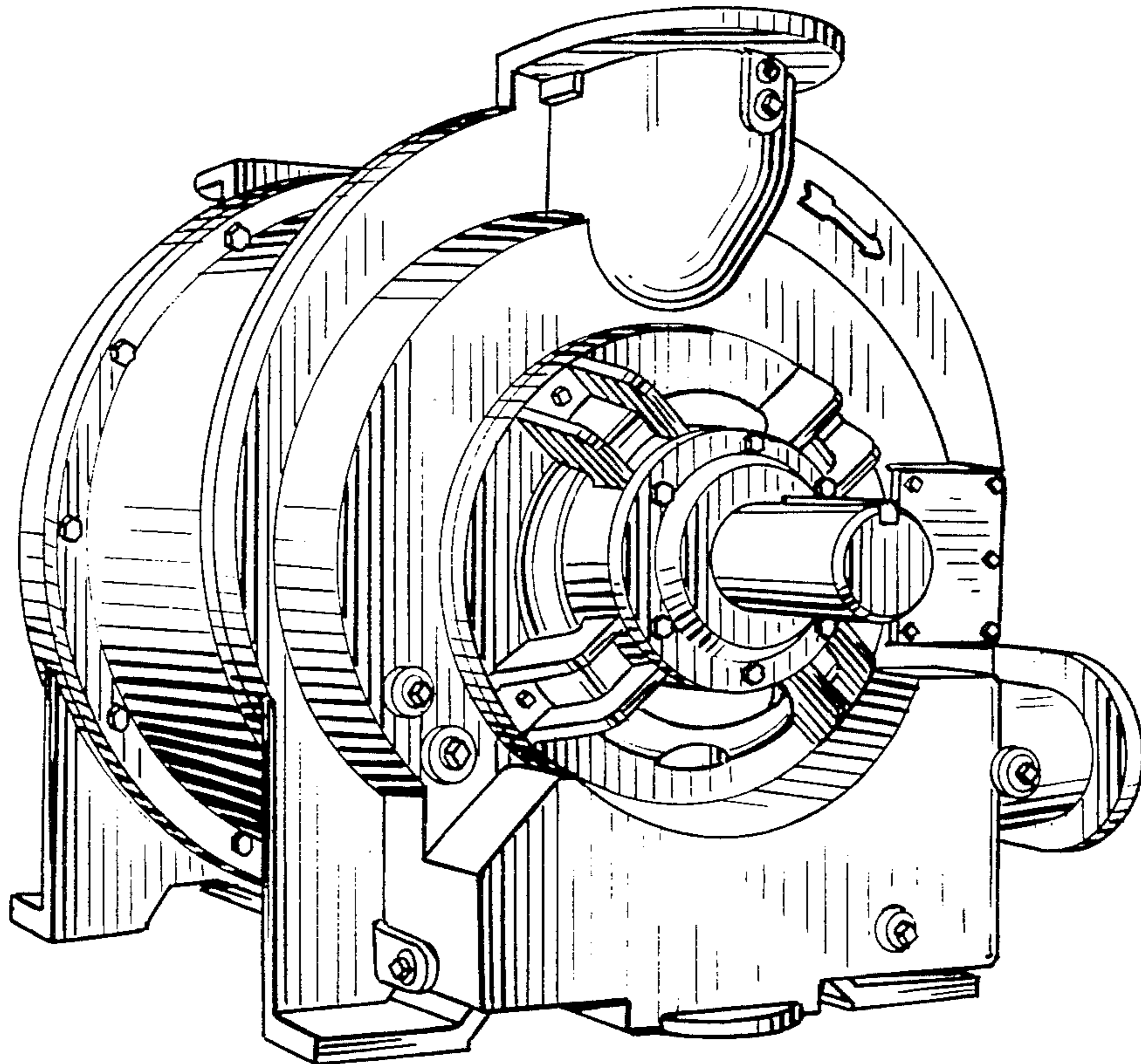


Fig. 1.

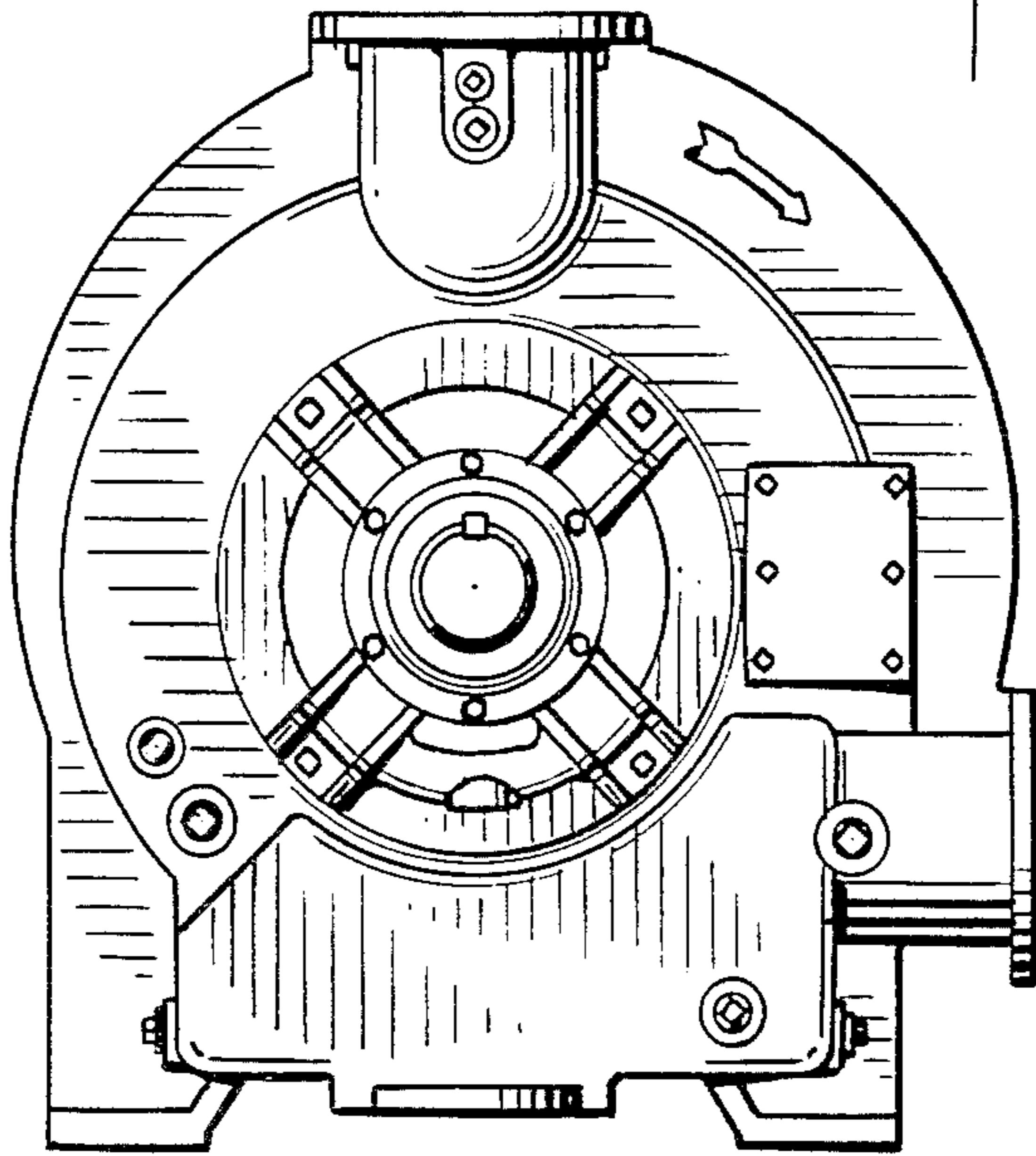


Fig. 2.

Fig. 3.

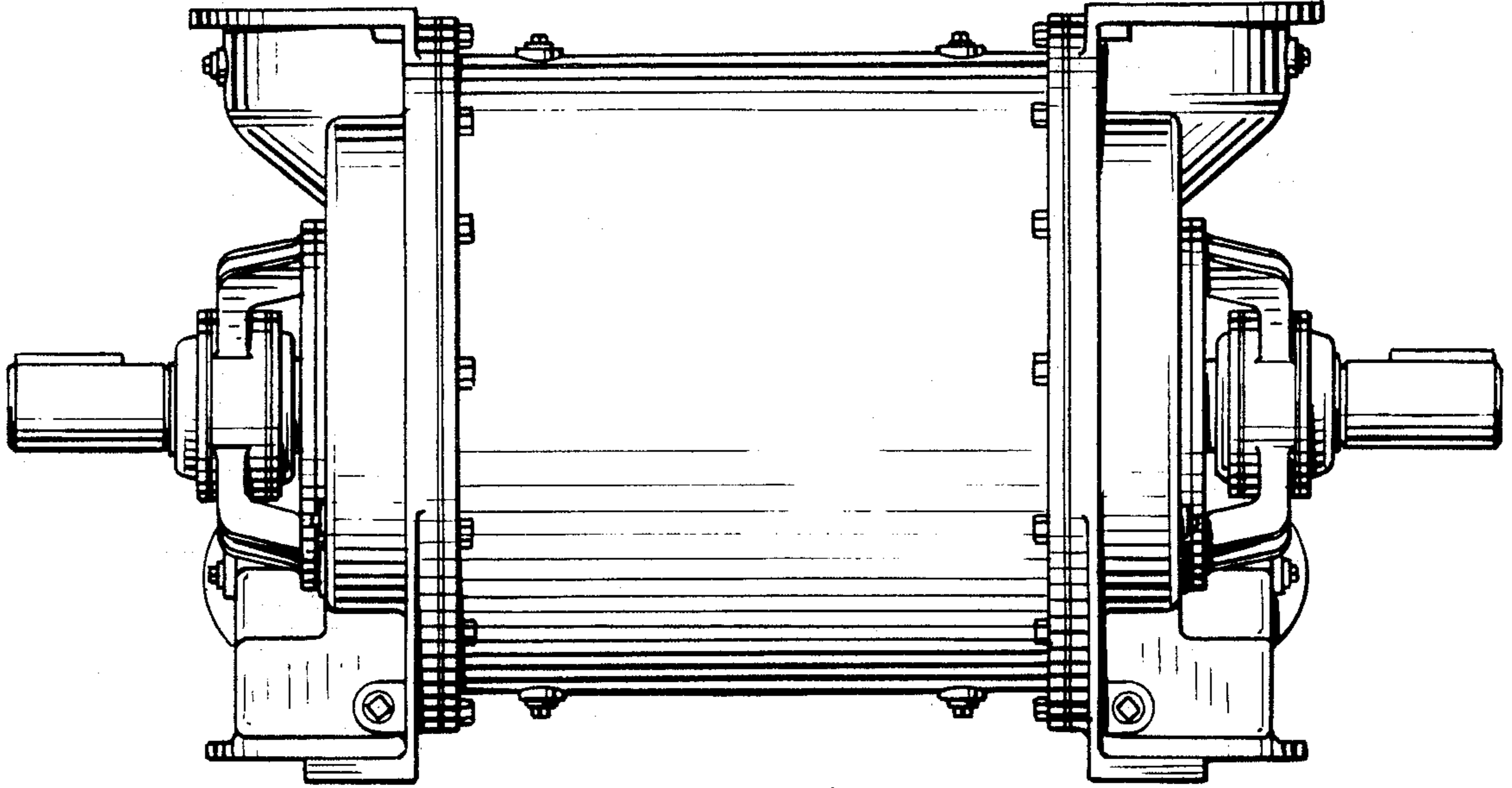


Fig. 4.

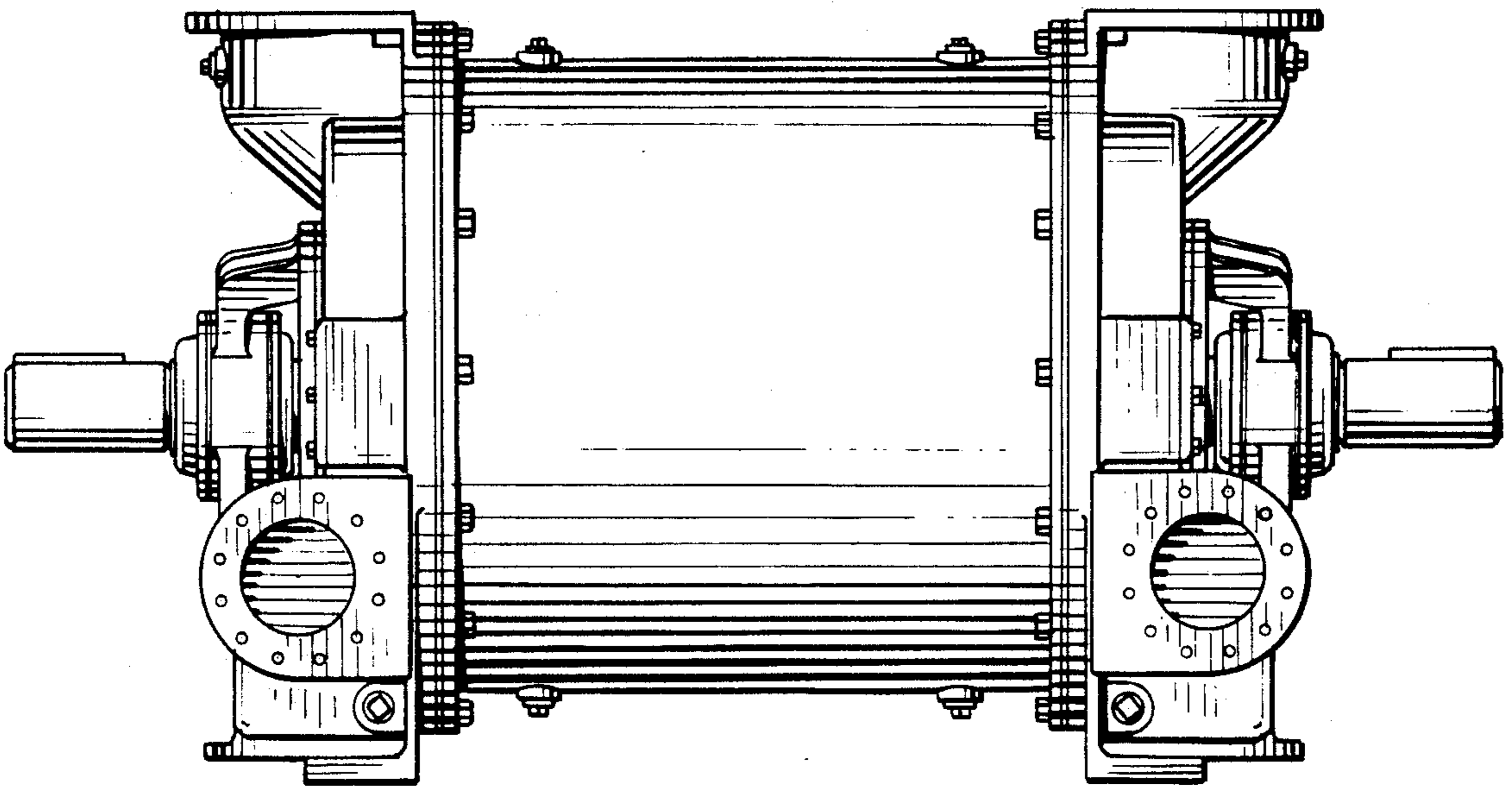


Fig. 5.

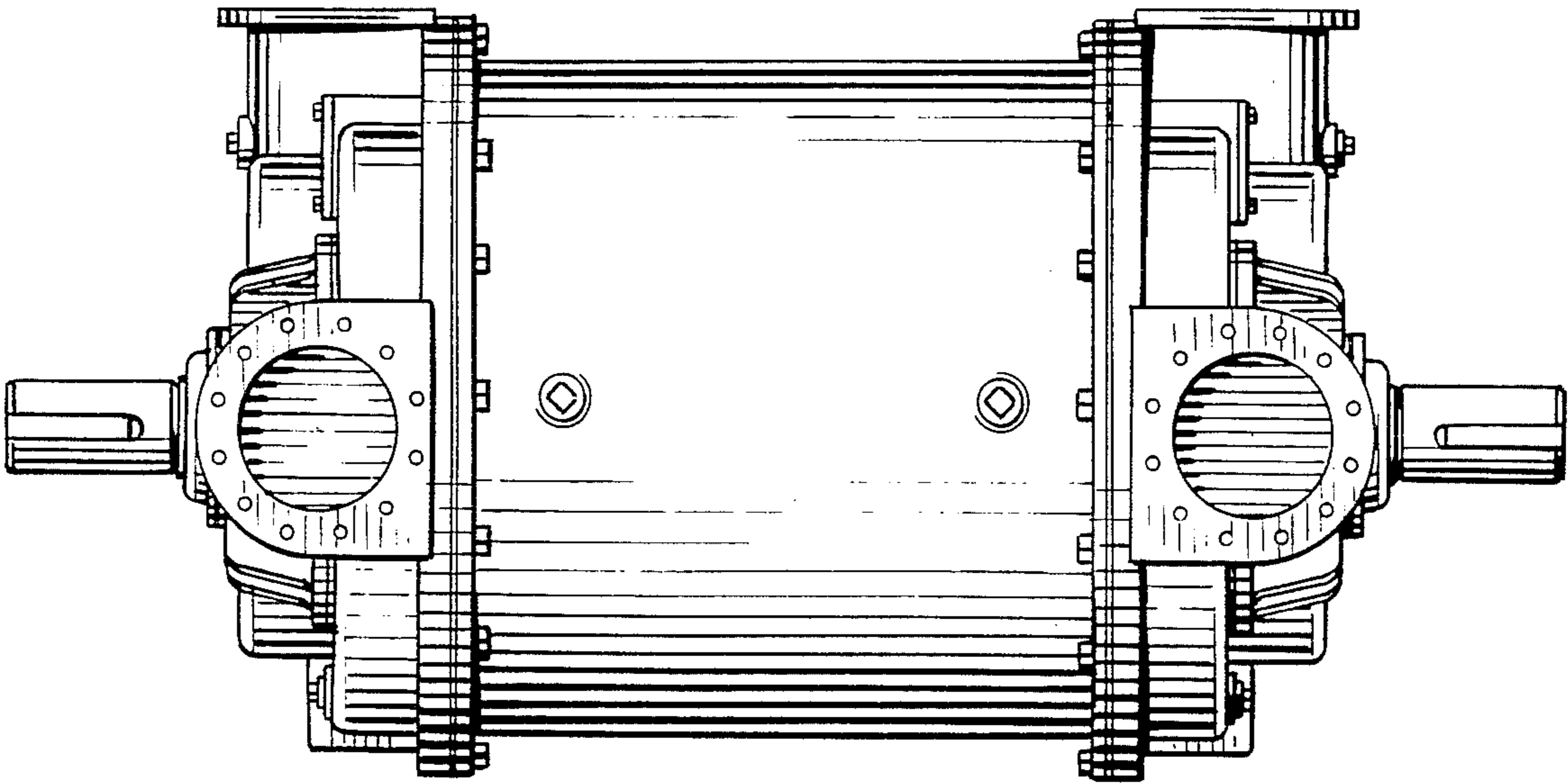


Fig. 6.

