

[54] MICROWAVE DISH AND ACCESSORY PACKAGE

[76] Inventors: Bruce W. Lindmark, 3788 Elco St., San Diego, Calif. 92111; Eduardo Cabrera, 20318 Miljevich Dr., Saratoga, Calif. 95070

[\*\*] Term: 14 Years

[21] Appl. No.: 498,077

[22] Filed: May 25, 1983

[52] U.S. Cl. .... D14/86

[58] Field of Search ..... D14/86-88, D14/89; 343/840

[56] References Cited

U.S. PATENT DOCUMENTS

D. 275,283	8/1984	Nichols	.....	D14/86
3,599,218	8/1971	Williamson et al.	.....	343/840
3,733,609	5/1973	Bartlett	.....	343/840
4,142,190	2/1979	Kerr	.....	343/840
4,490,726	12/1984	Weir	.....	343/840

Primary Examiner—Wallace R. Burke  
Assistant Examiner—Lynn Wilder  
Attorney, Agent, or Firm—Frank D. Gilliam

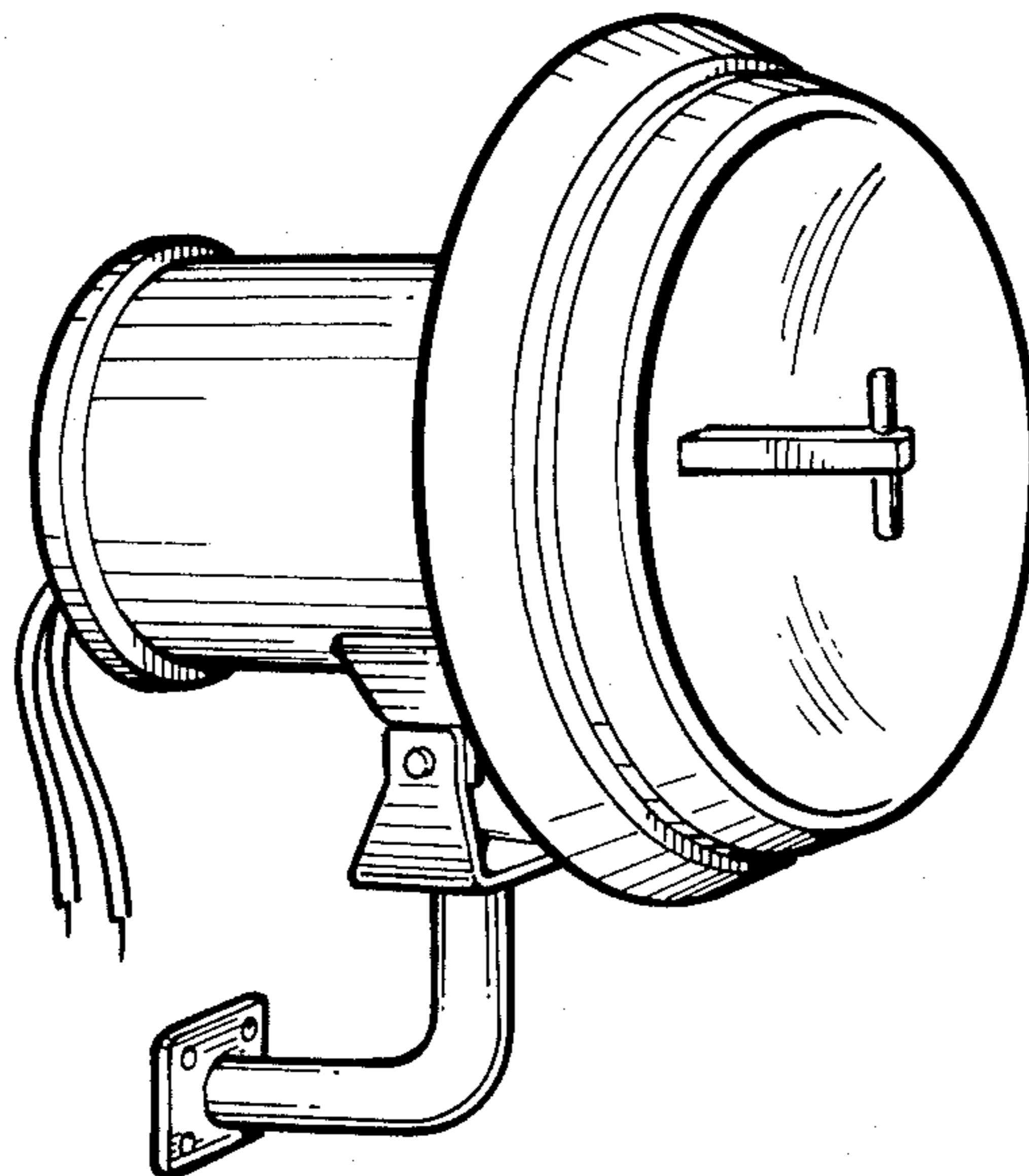
[57] CLAIM

The ornamental design for a microwave dish and accessory package, substantially as shown and described.

DESCRIPTION

FIG. 1 is a rear perspective view of a first embodiment of our microwave dish and accessory package, showing our new design;  
FIG. 2 is a front perspective view thereof;  
FIG. 3 is a side elevational view thereof the opposite side being a mirror image;  
FIG. 4 is a bottom plan view thereof;

FIG. 5 is a rear elevational view thereof;  
FIG. 6 is a front elevational view thereof;  
FIG. 7 is a rear perspective view of a second embodiment of our microwave dish and accessory package design;  
FIG. 8 is a front perspective view of our second embodiment;  
FIG. 9 is a side elevational view of our second embodiment the opposite side being a mirror image;  
FIG. 10 is a bottom plan view of our second embodiment;  
FIG. 11 is a rear elevational view of our second embodiment;  
FIG. 12 is a front elevational view of our second embodiment;  
FIG. 13 is a rear perspective view of a third embodiment of our microwave dish and accessory package design;  
FIG. 14 is a front perspective view of our third embodiment;  
FIG. 15 is a side elevational view of our third embodiment the opposite side being a mirror image;  
FIG. 16 is a bottom plan view of our third embodiment;  
FIG. 17 is a rear elevational view of our third embodiment;  
FIG. 18 is a front elevational view of our third embodiment;  
FIG. 19 is a rear perspective view of a fourth embodiment of our microwave dish and accessory package design;  
FIG. 20 is a front perspective view of our fourth embodiment;  
FIG. 21 is a side elevational view of our fourth embodiment the opposite side being a mirror image;  
FIG. 22 is a bottom plan view of our fourth embodiment;  
FIG. 23 is a rear elevational view of our fourth embodiment; and  
FIG. 24 is a front elevational view of our fourth embodiment.



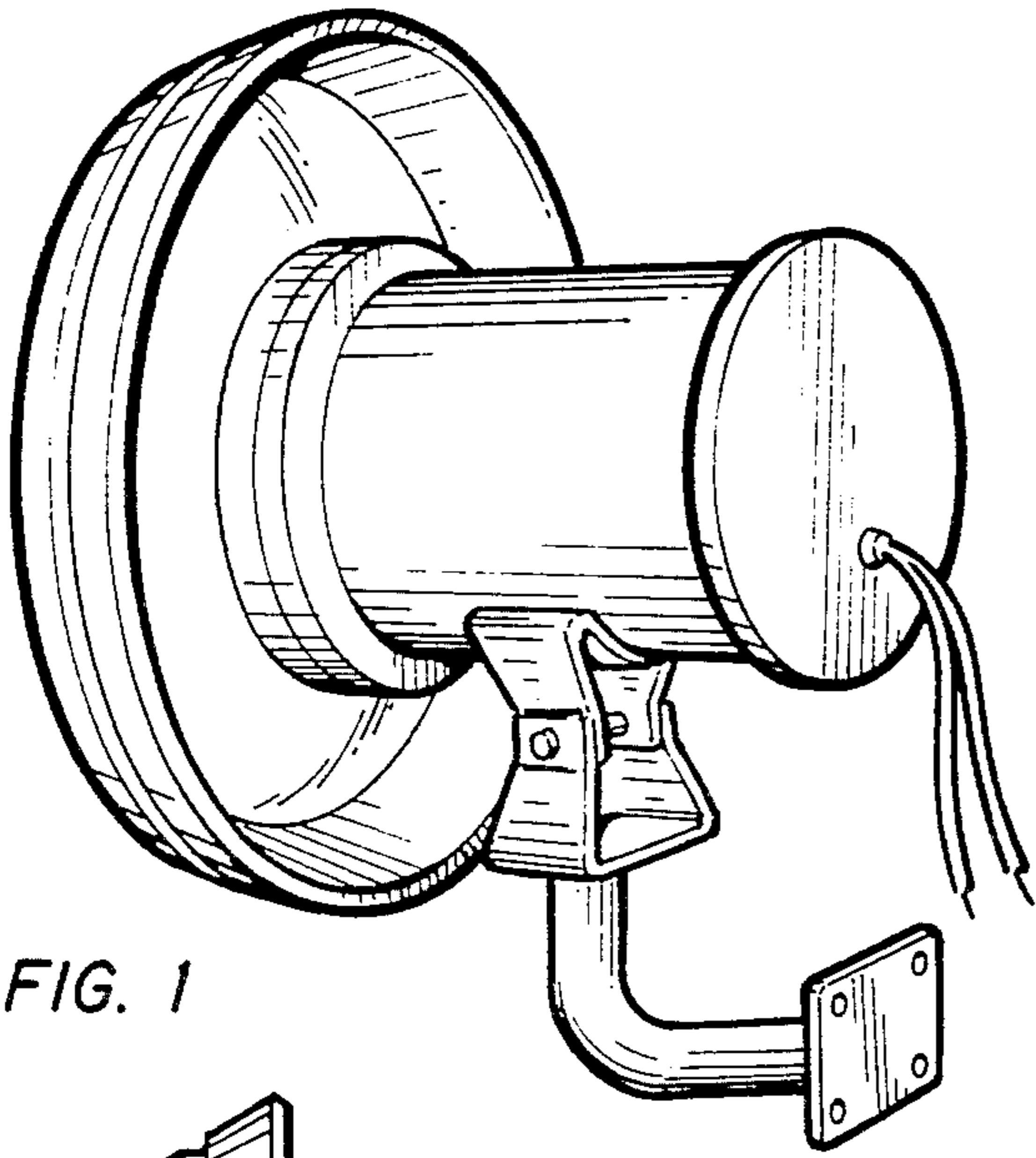


FIG. 1

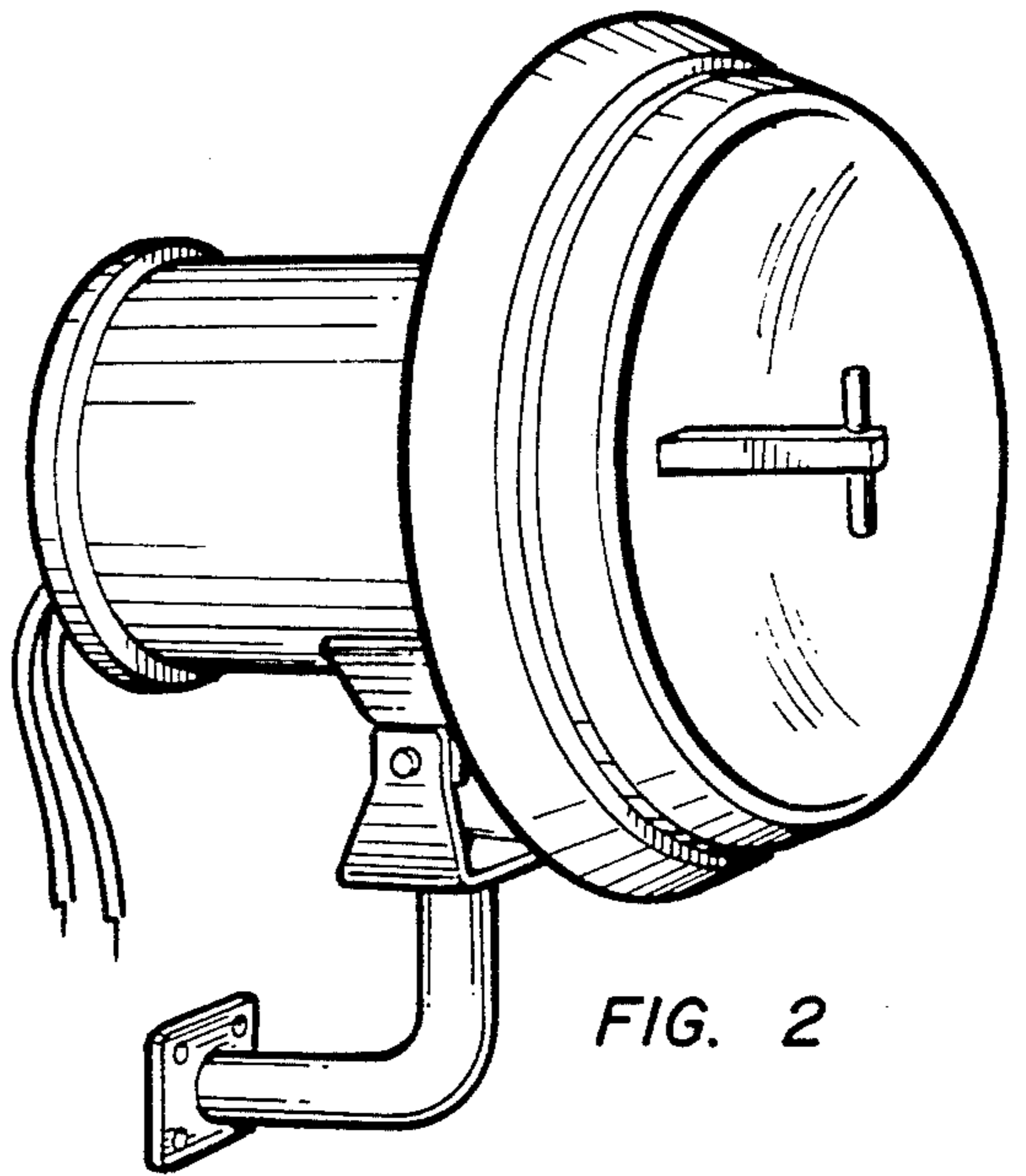


FIG. 2

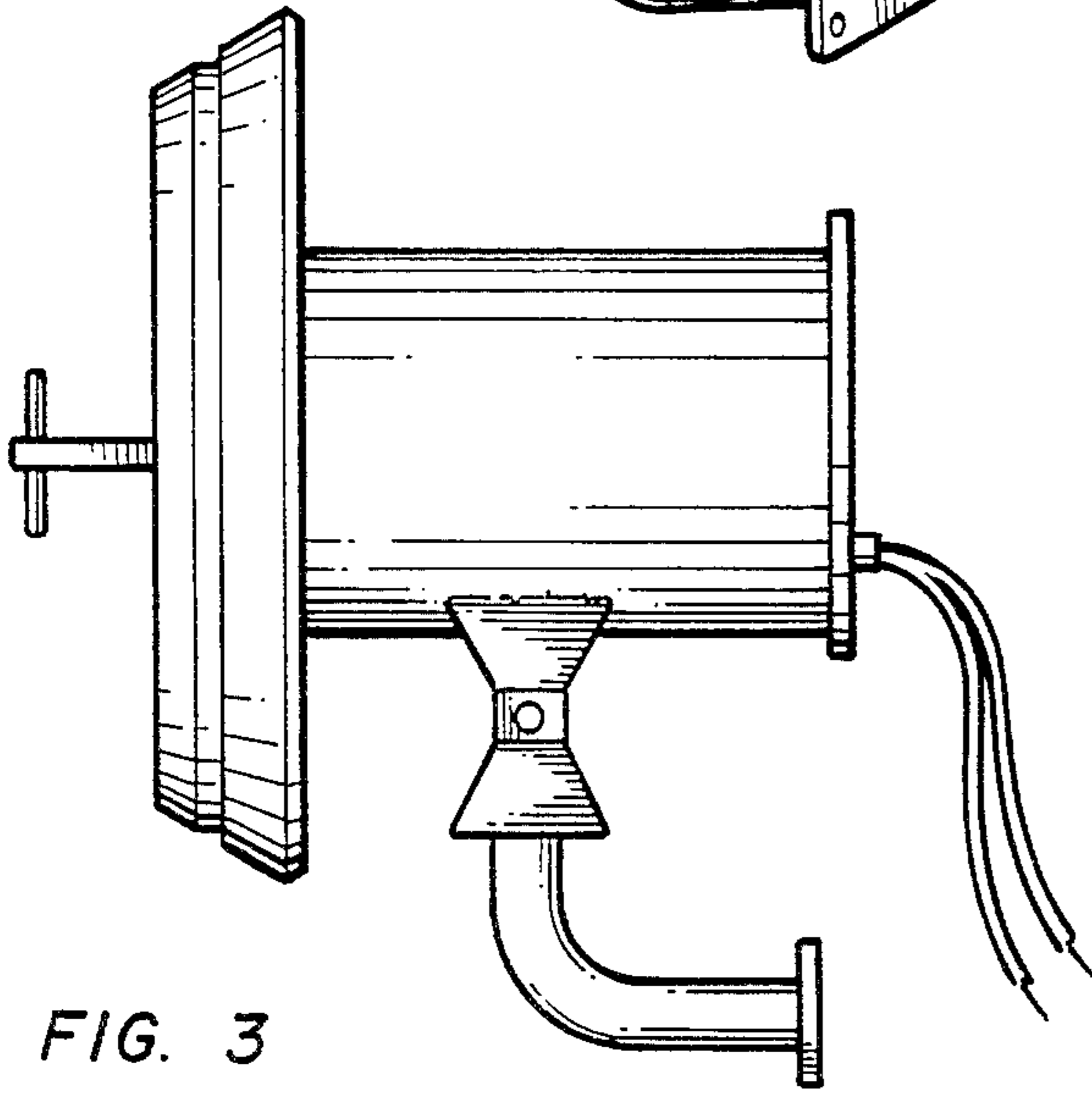


FIG. 3

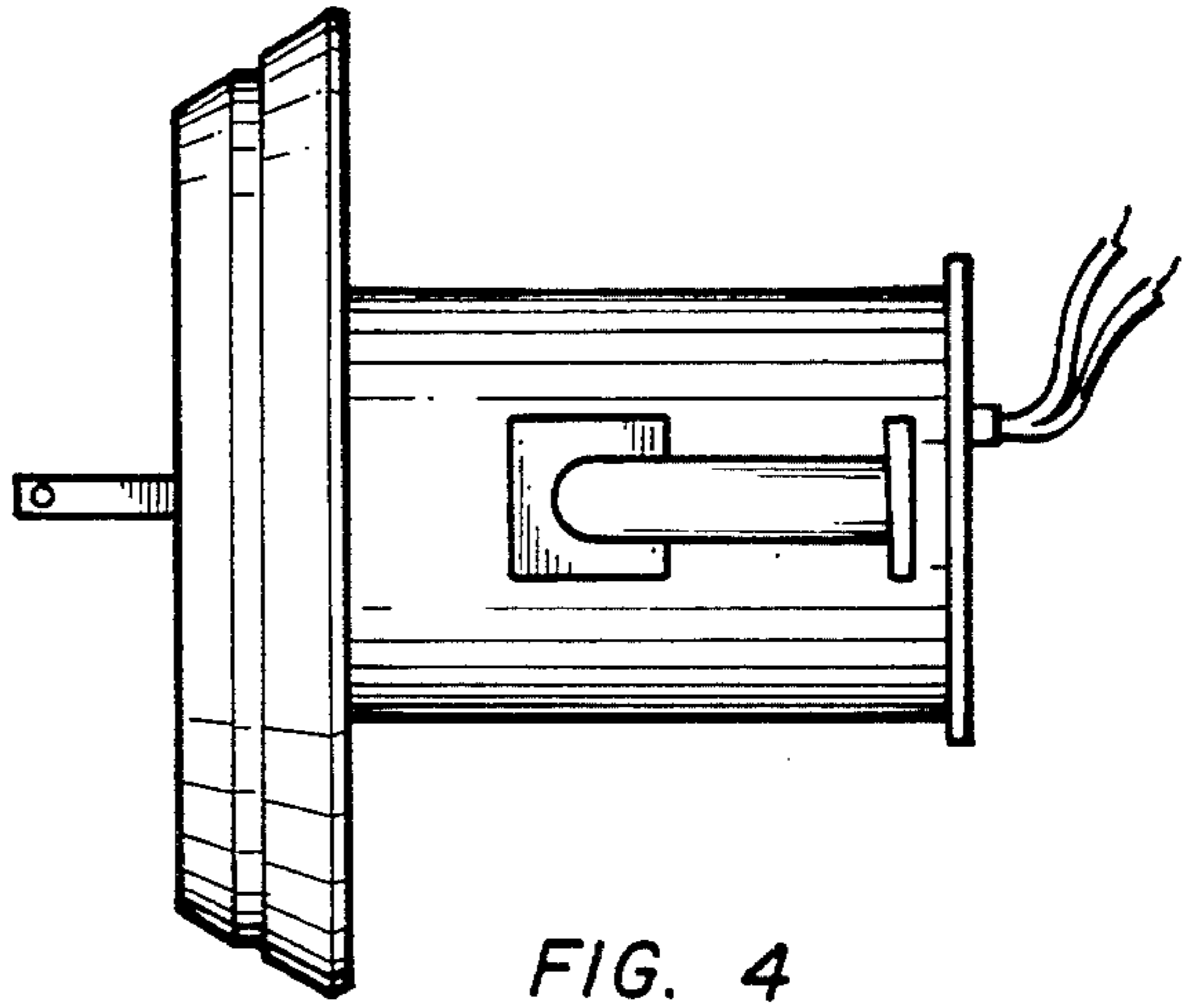


FIG. 4

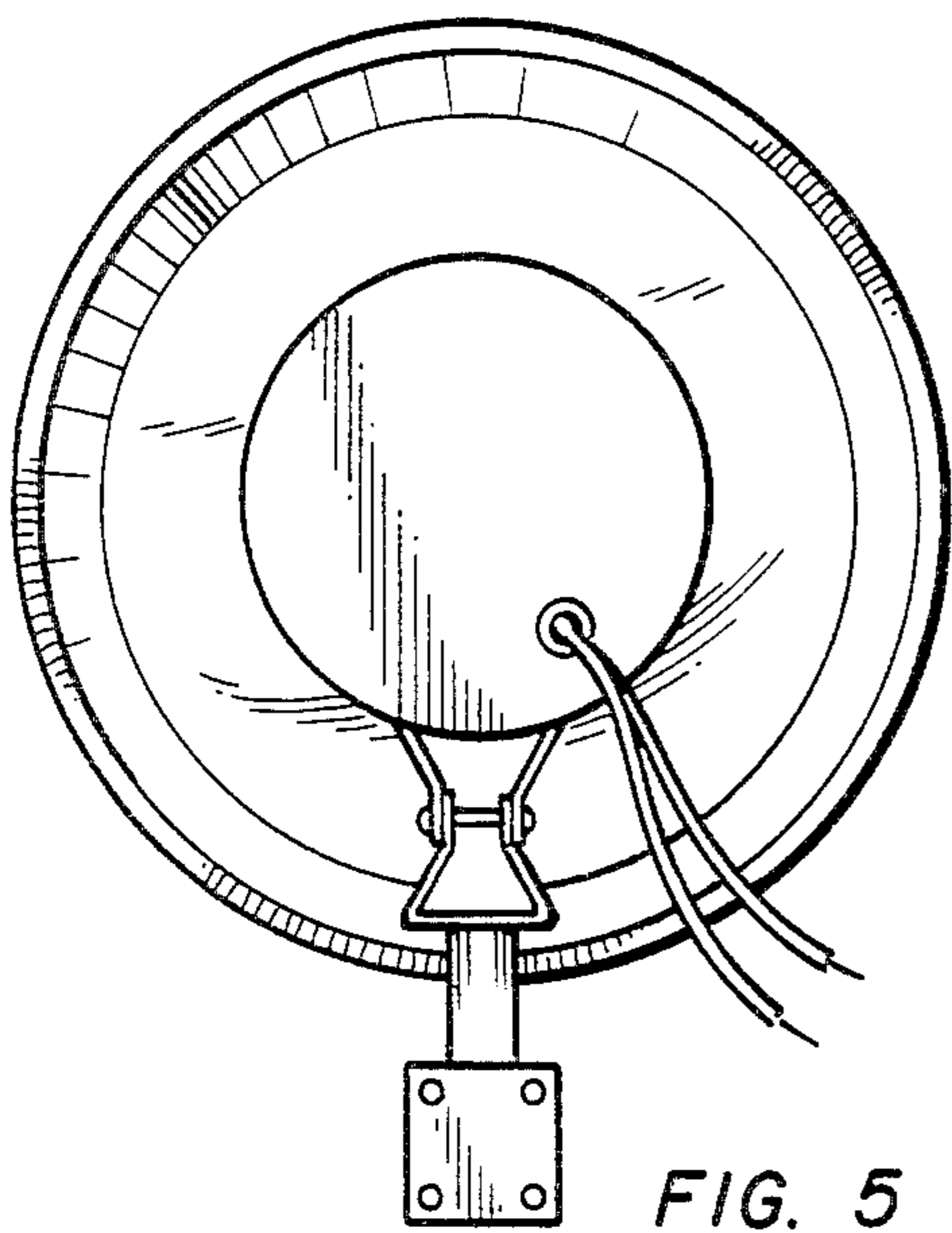


FIG. 5

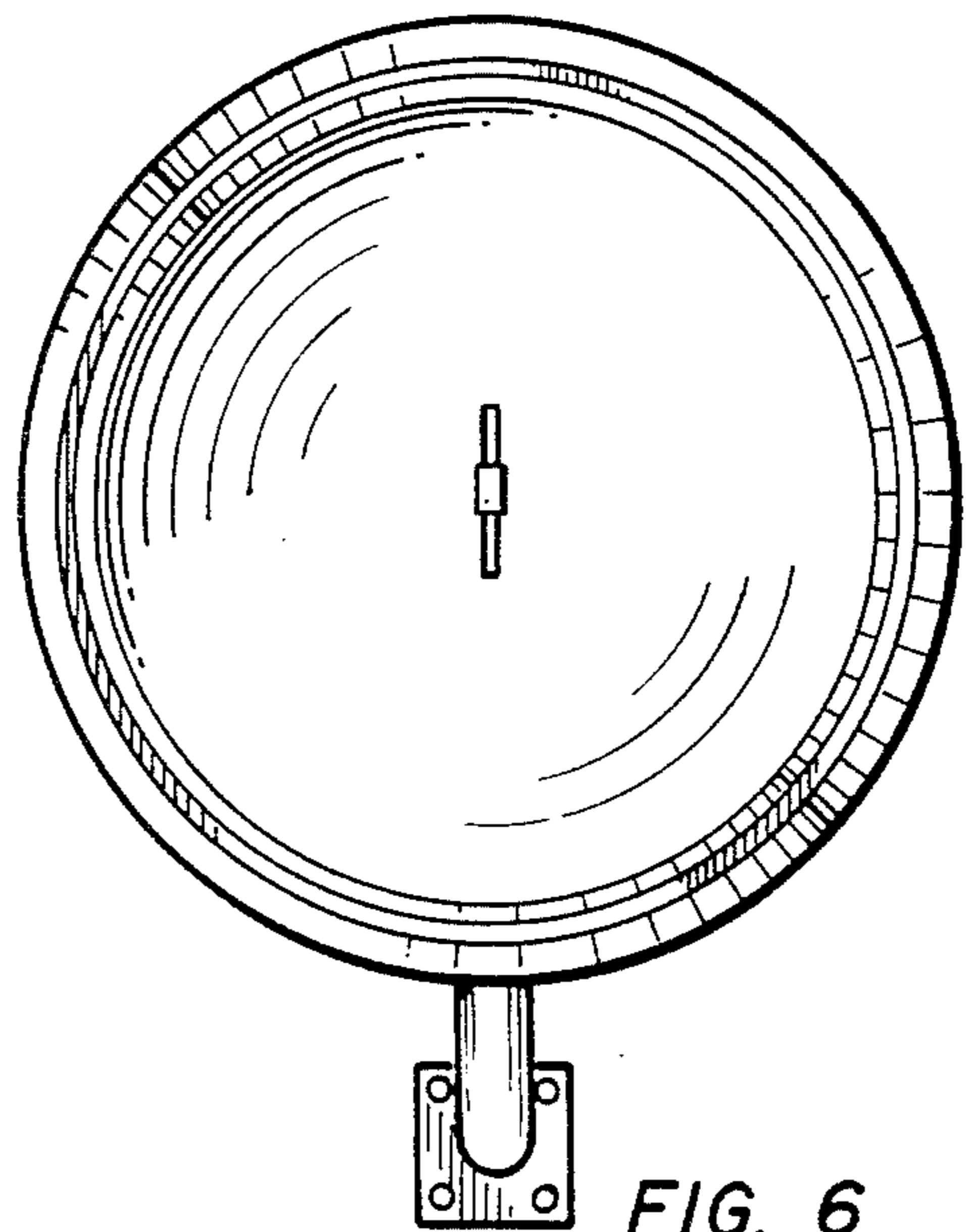


FIG. 6

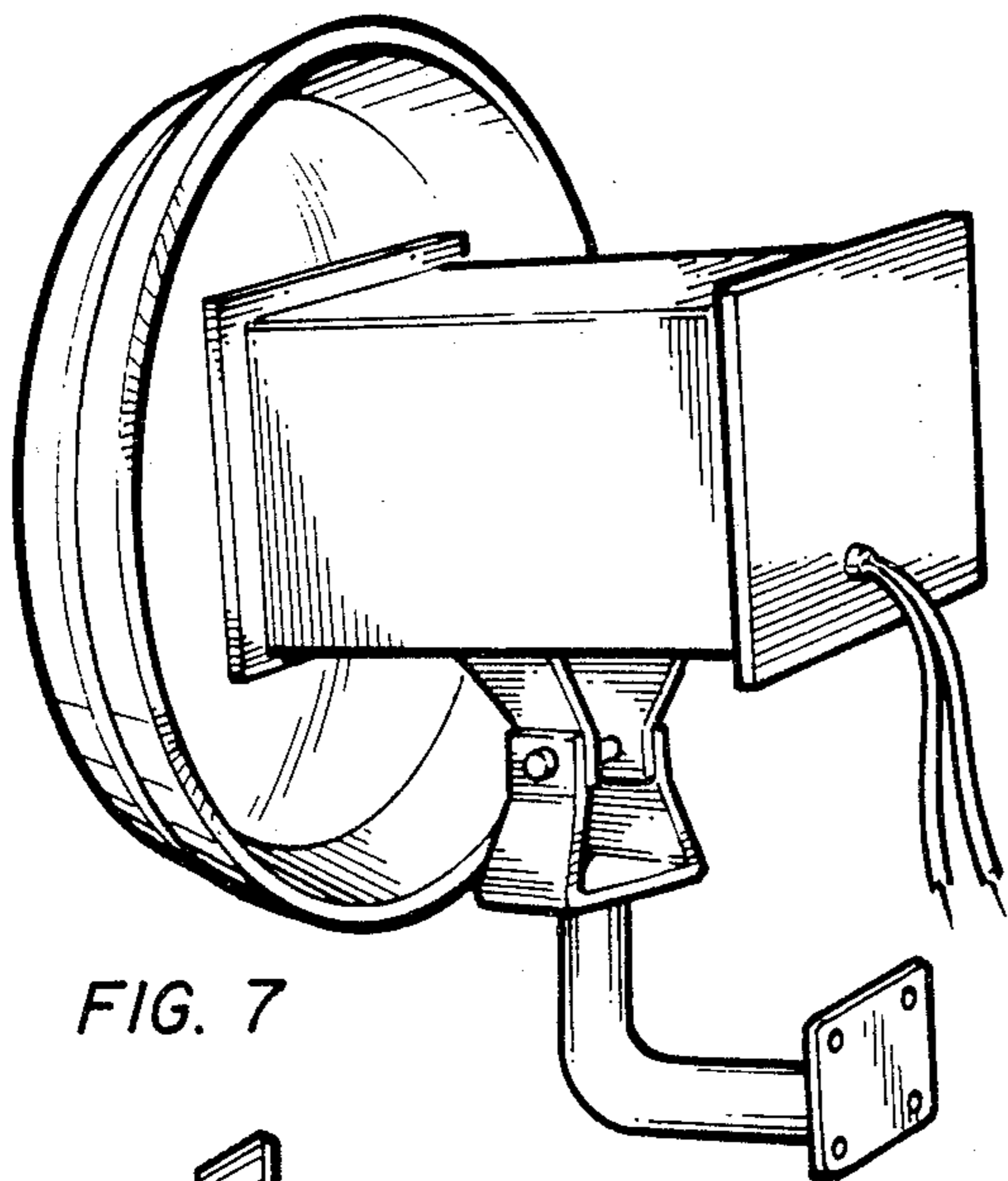


FIG. 7

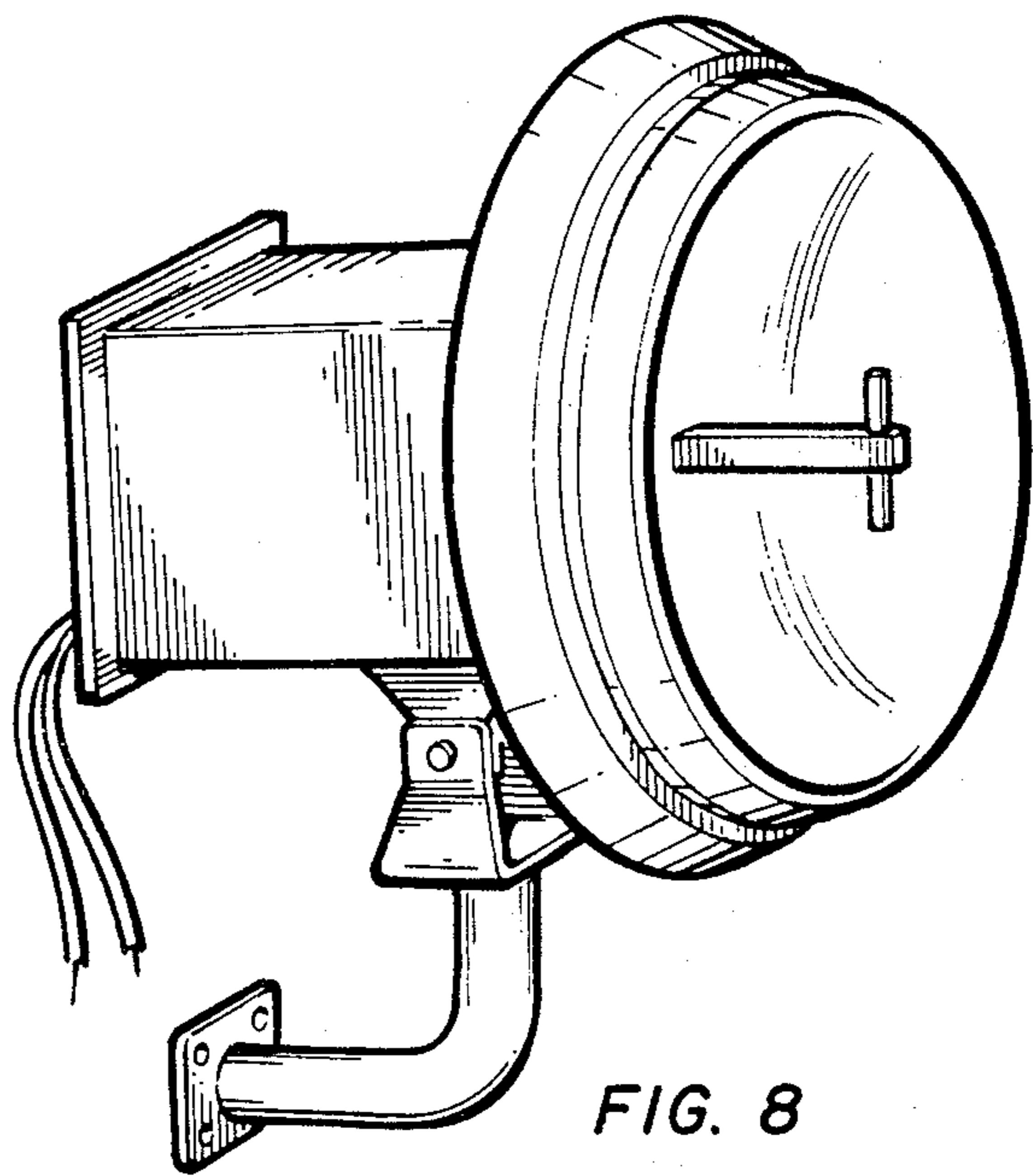


FIG. 8

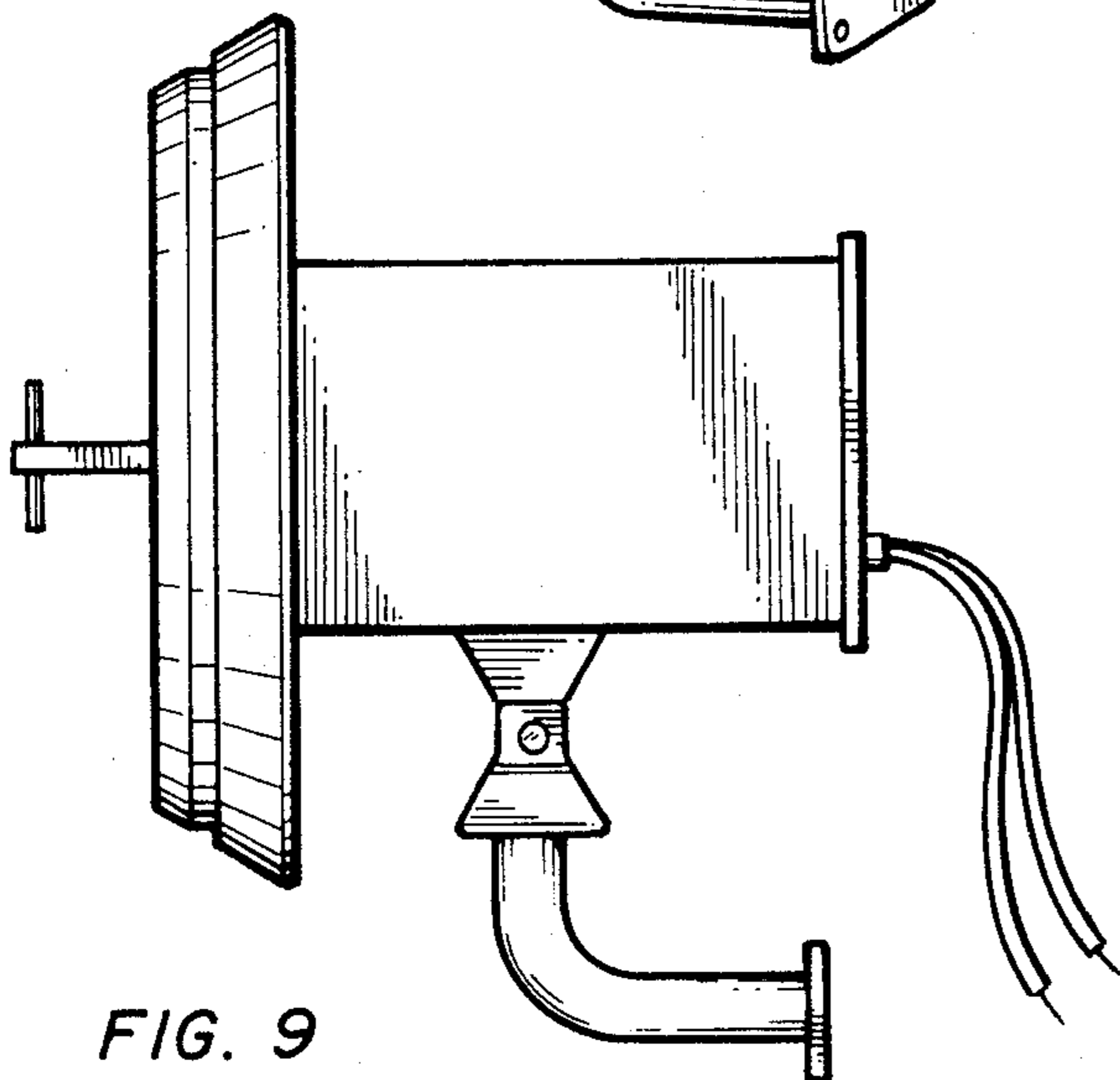


FIG. 9

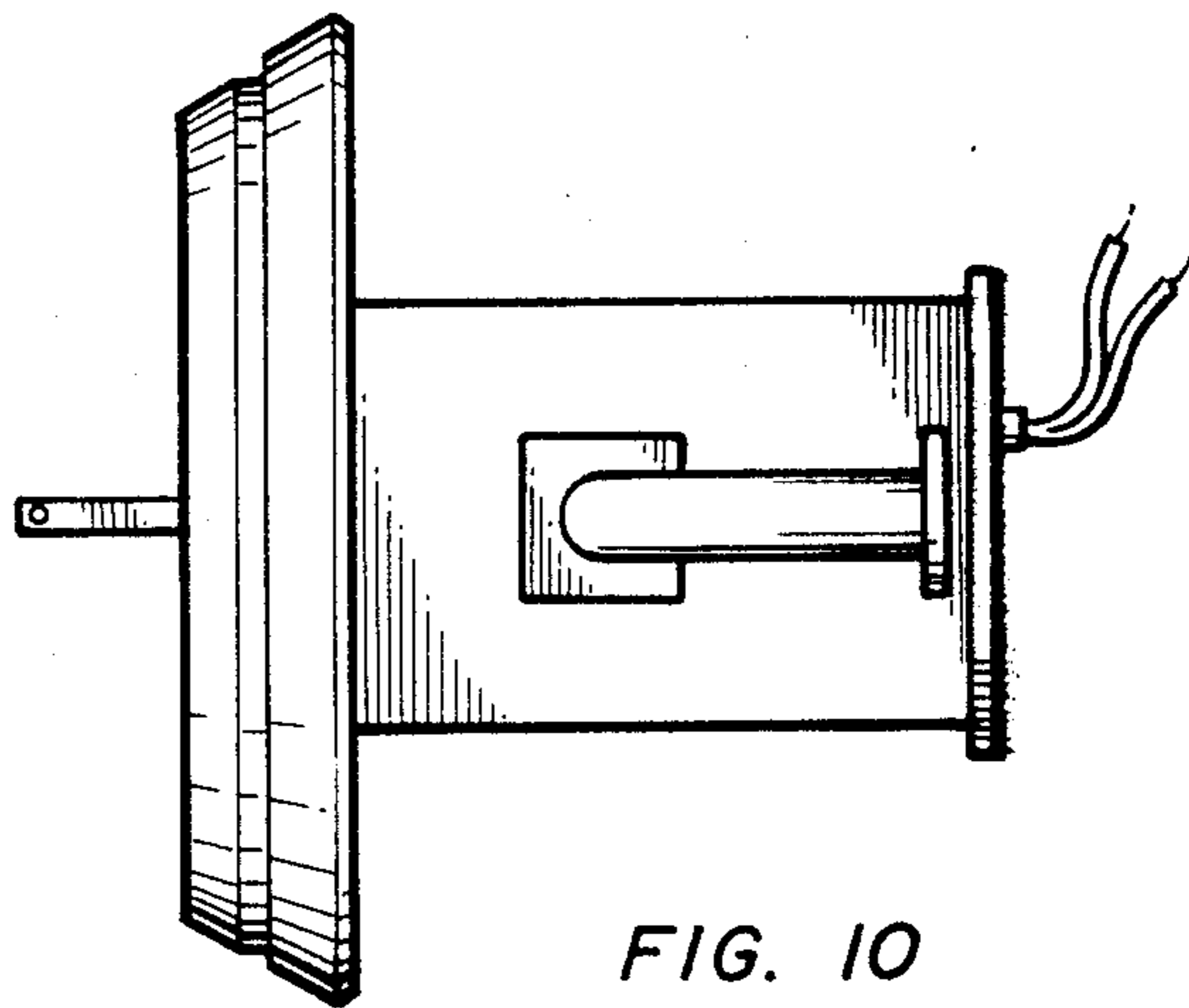


FIG. 10

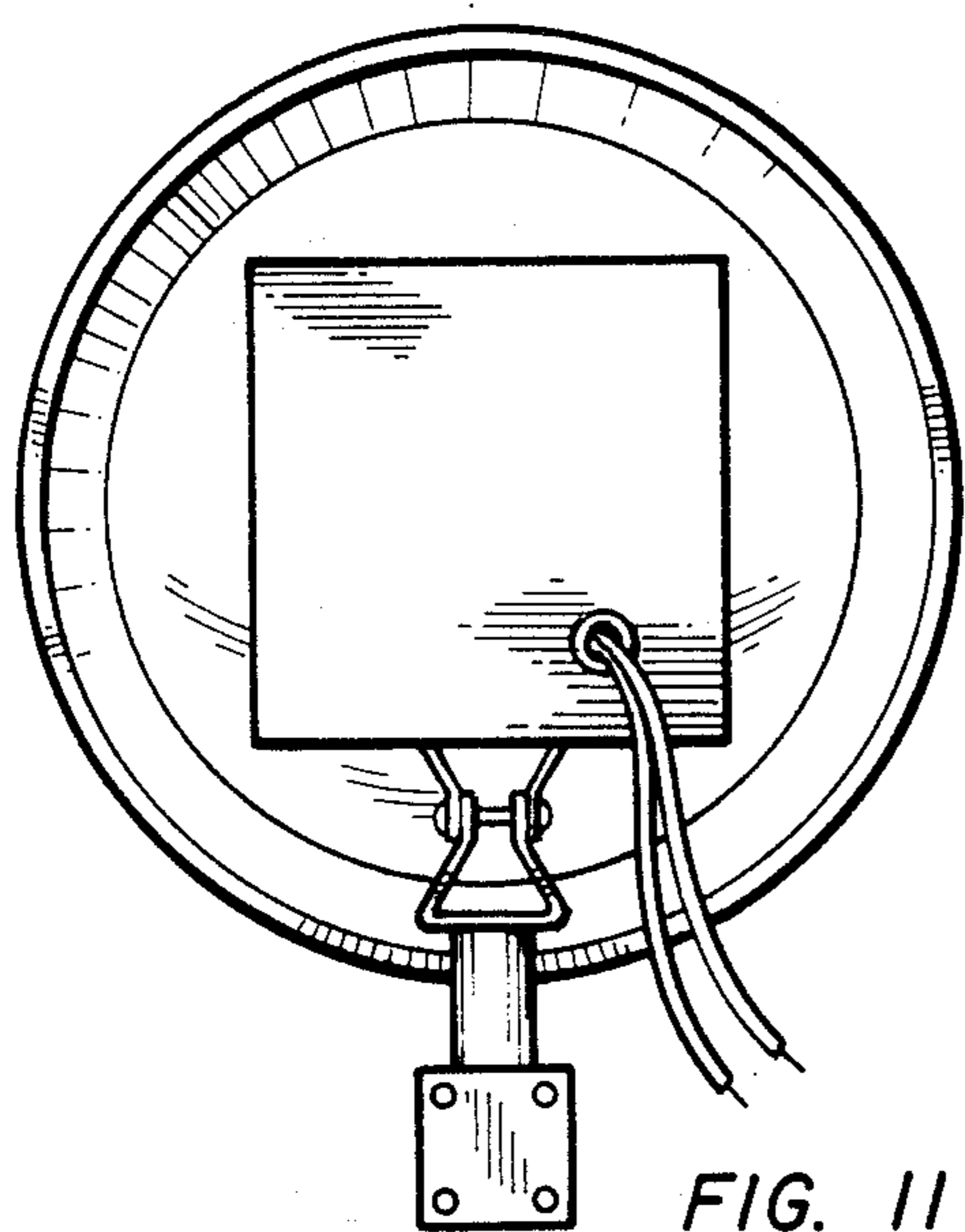


FIG. 11

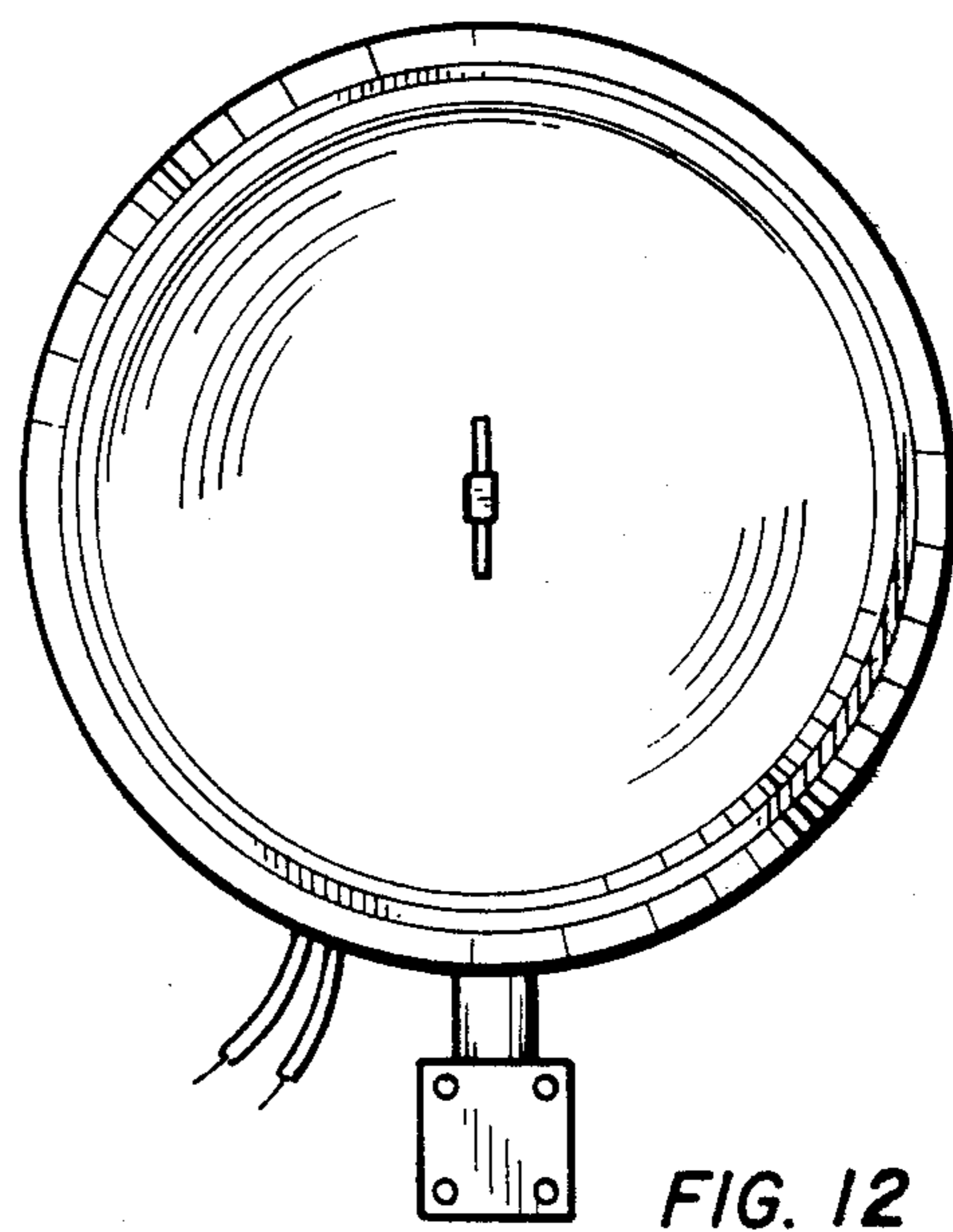


FIG. 12

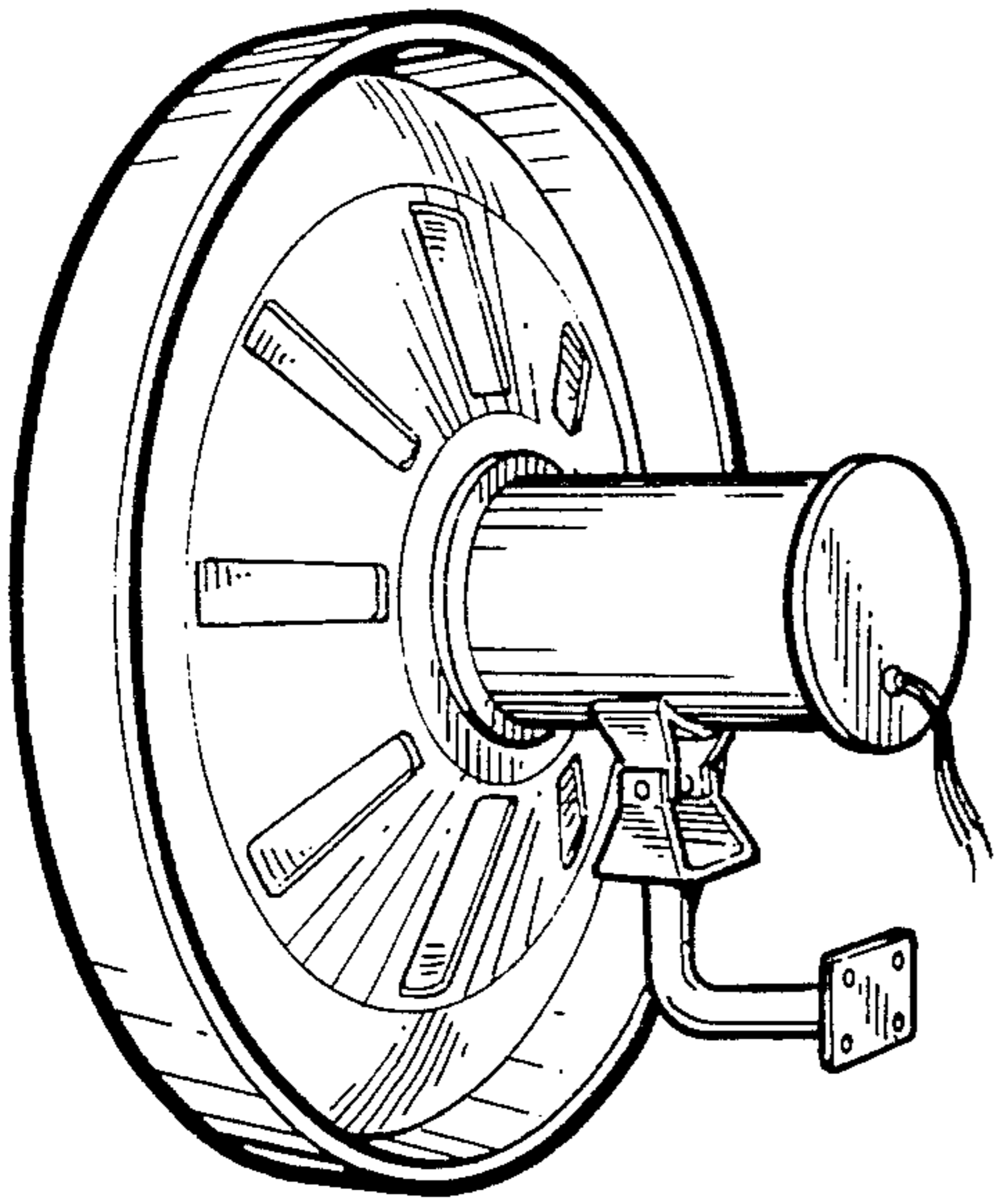


FIG. 13

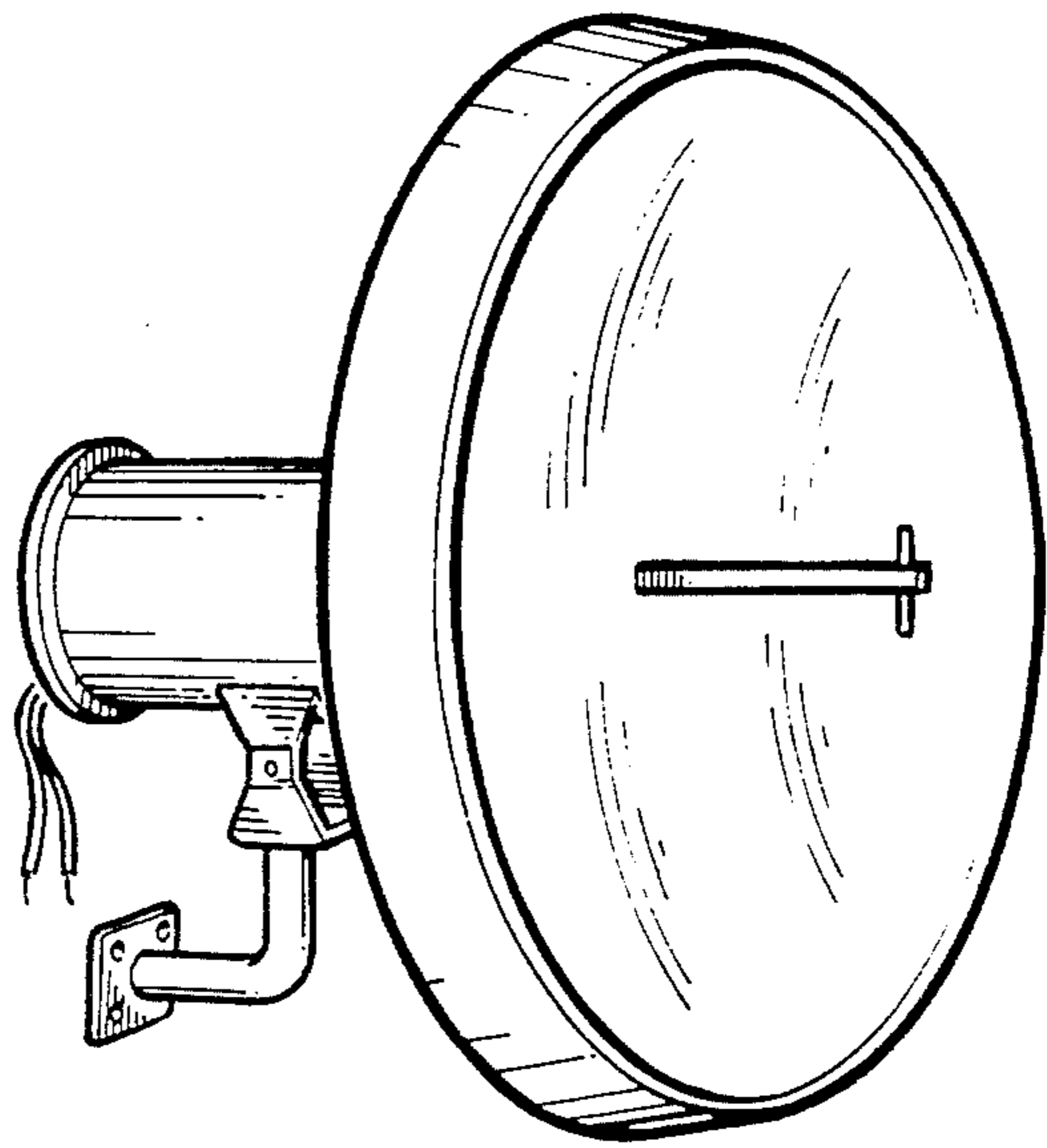


FIG. 14

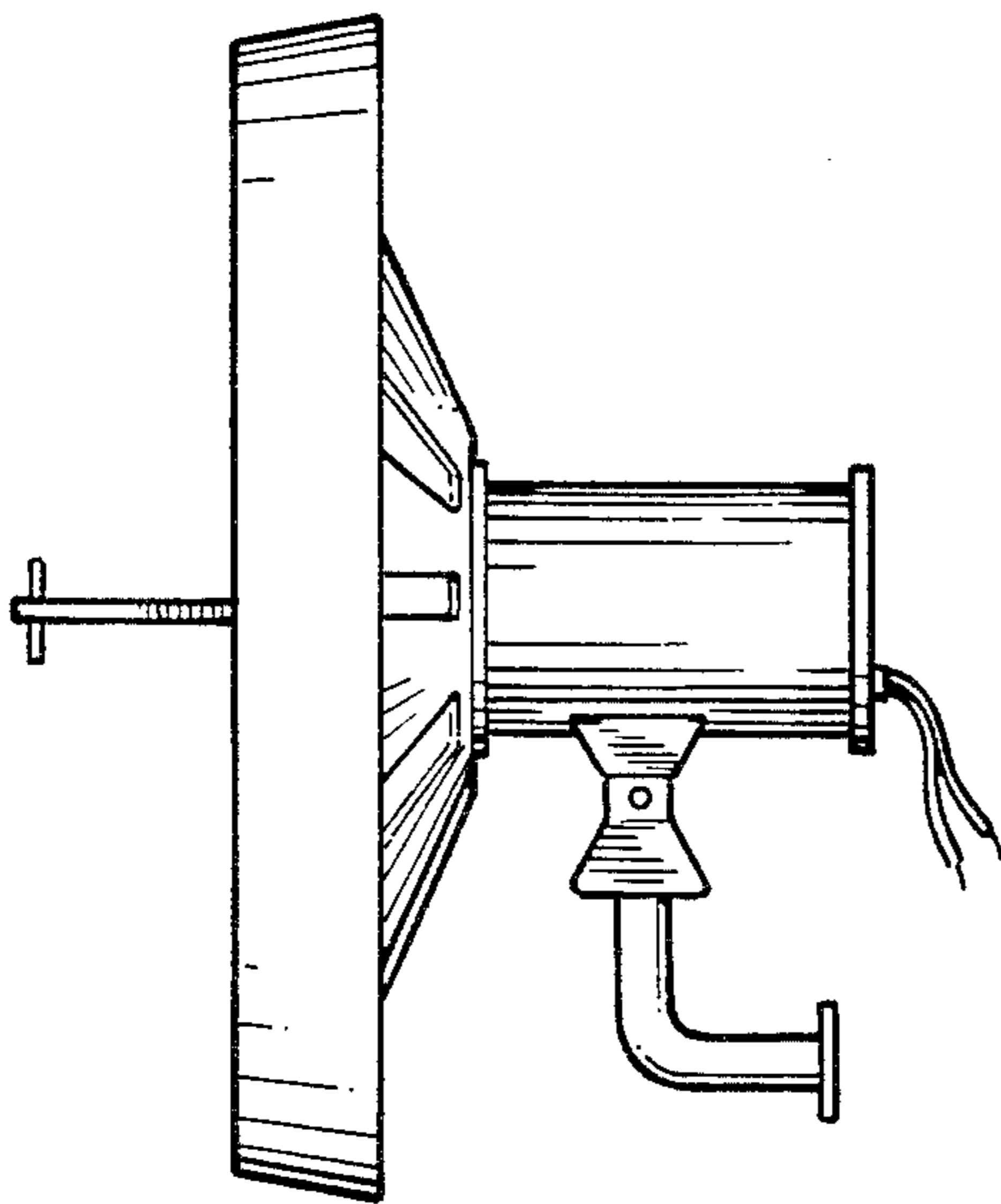


FIG. 15

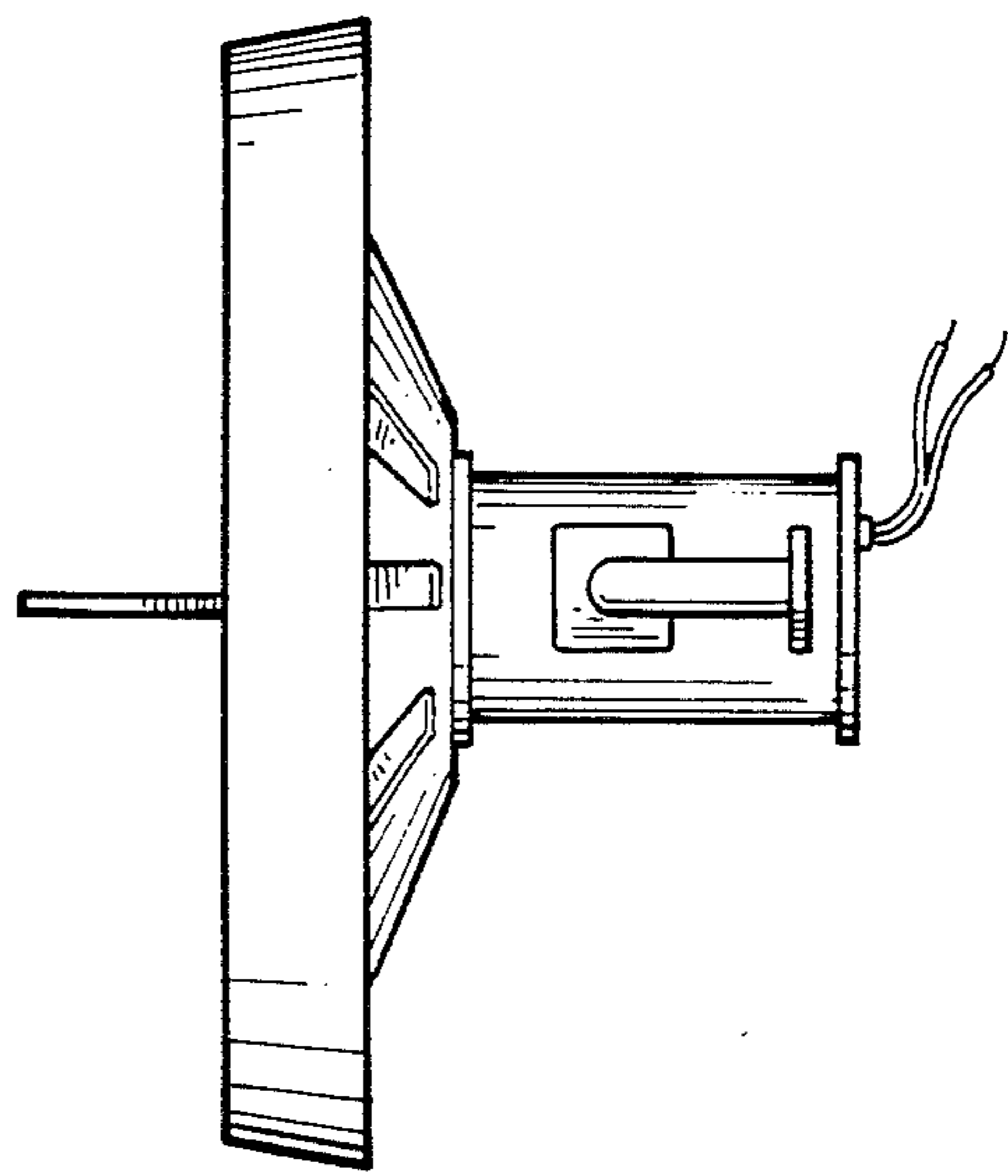


FIG. 16

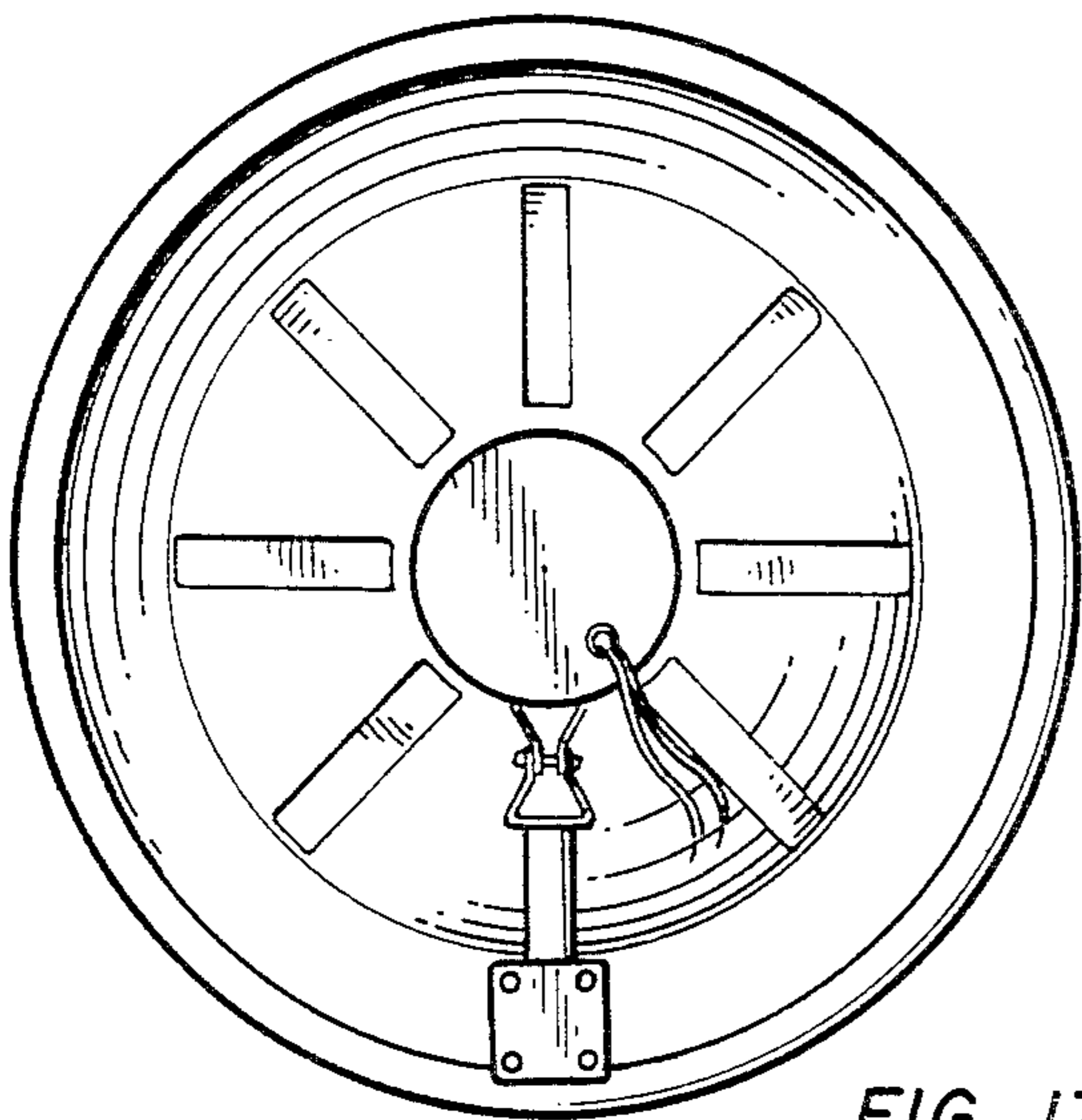


FIG. 17

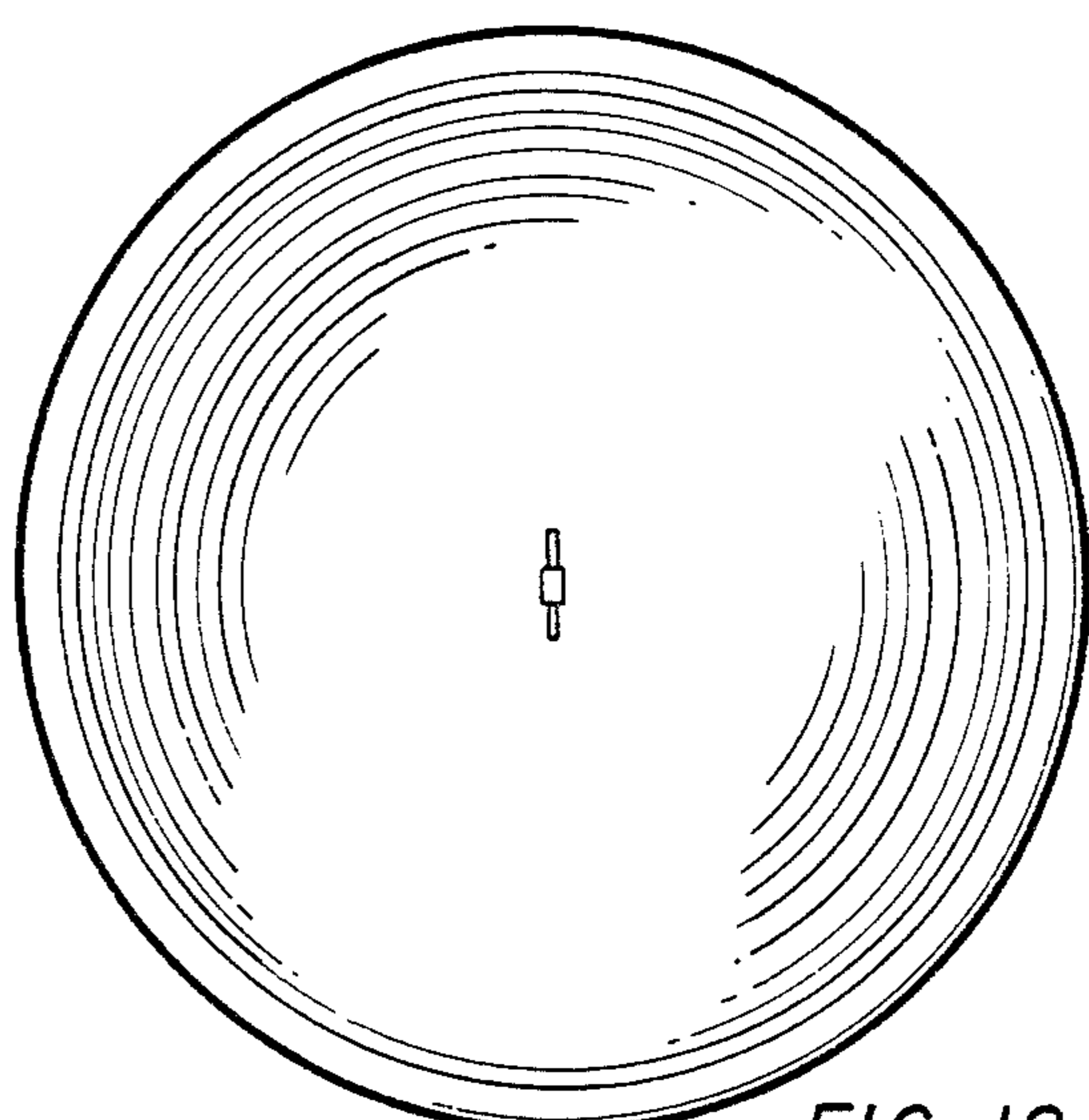


FIG. 18

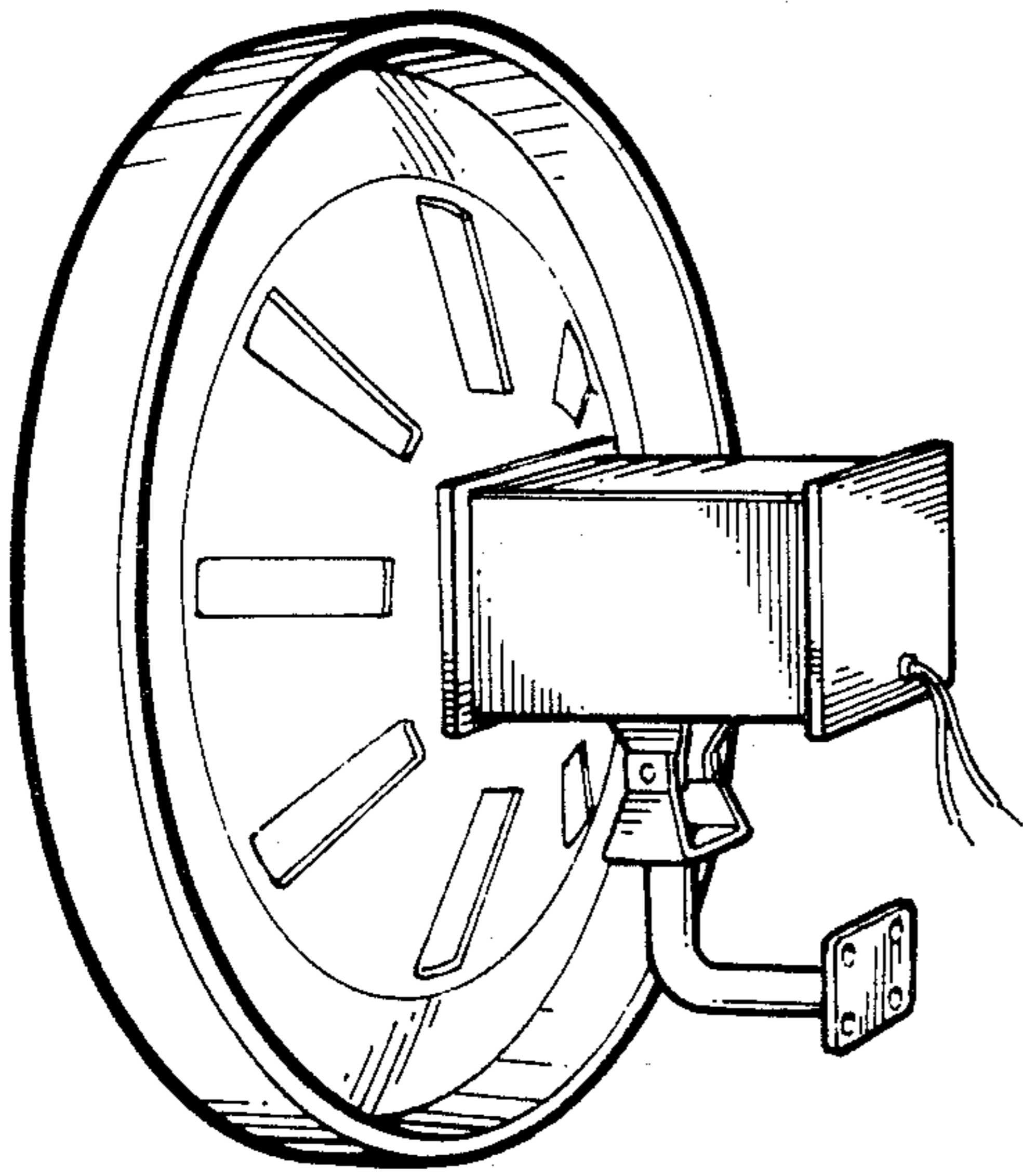


FIG. 19

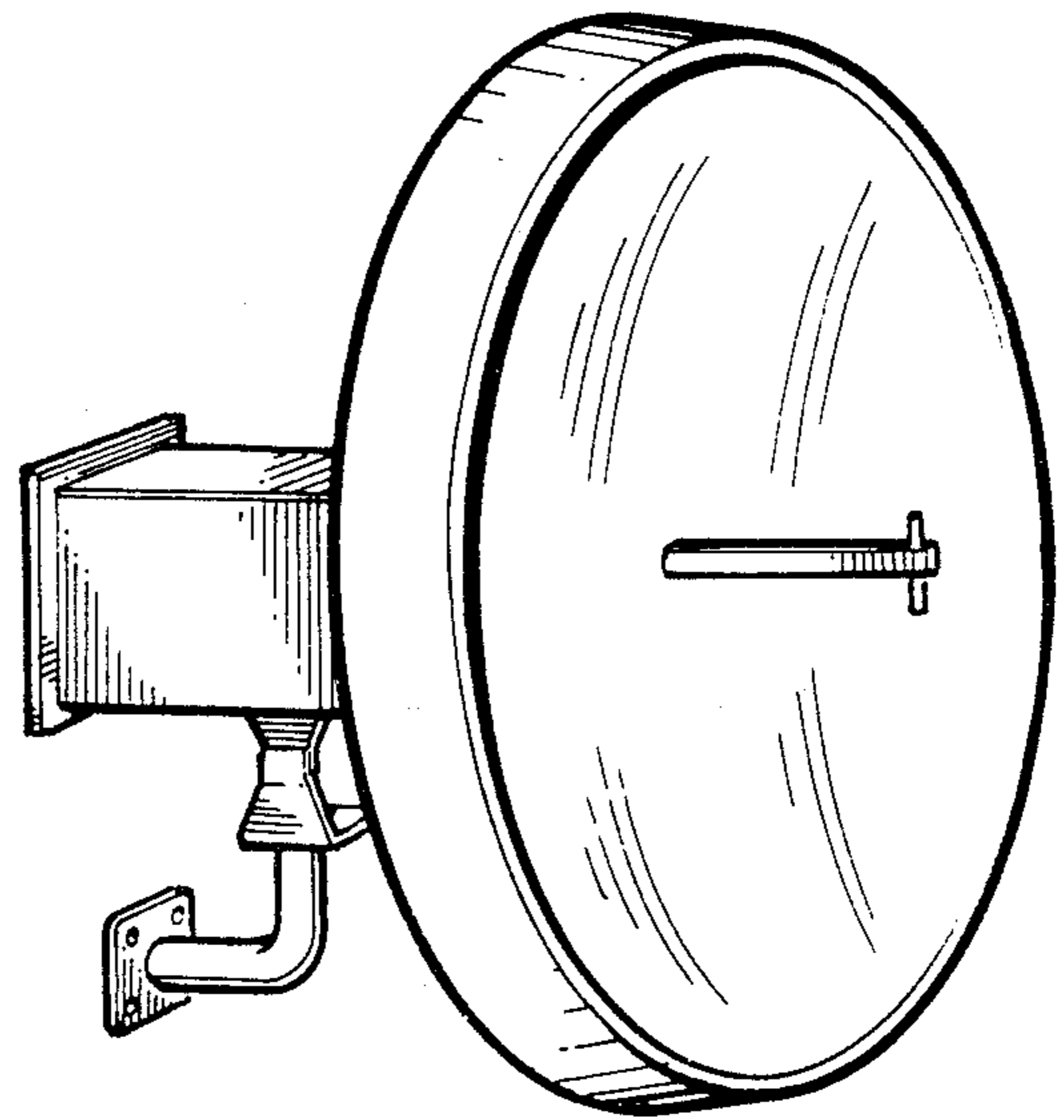


FIG. 20

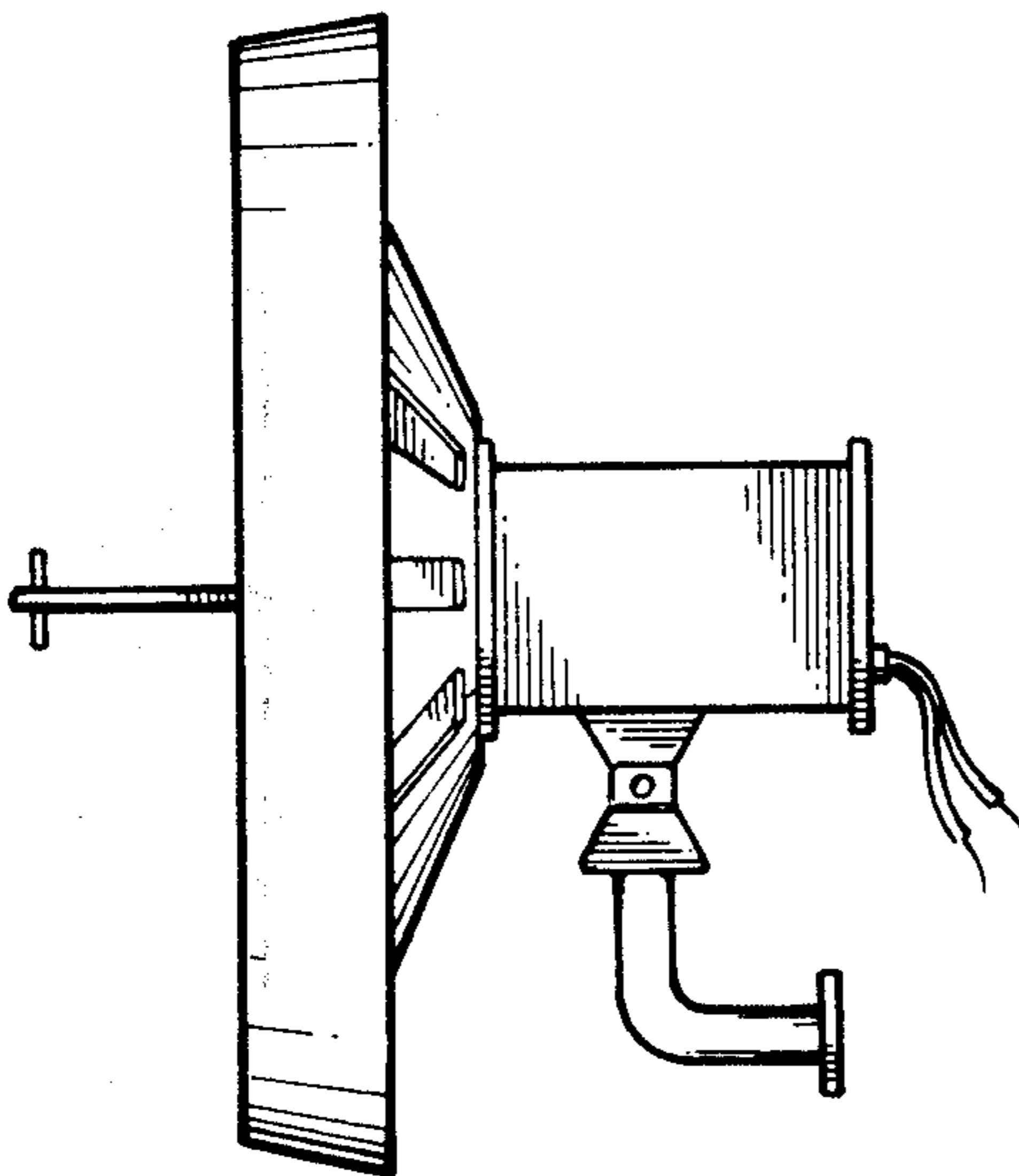


FIG. 21

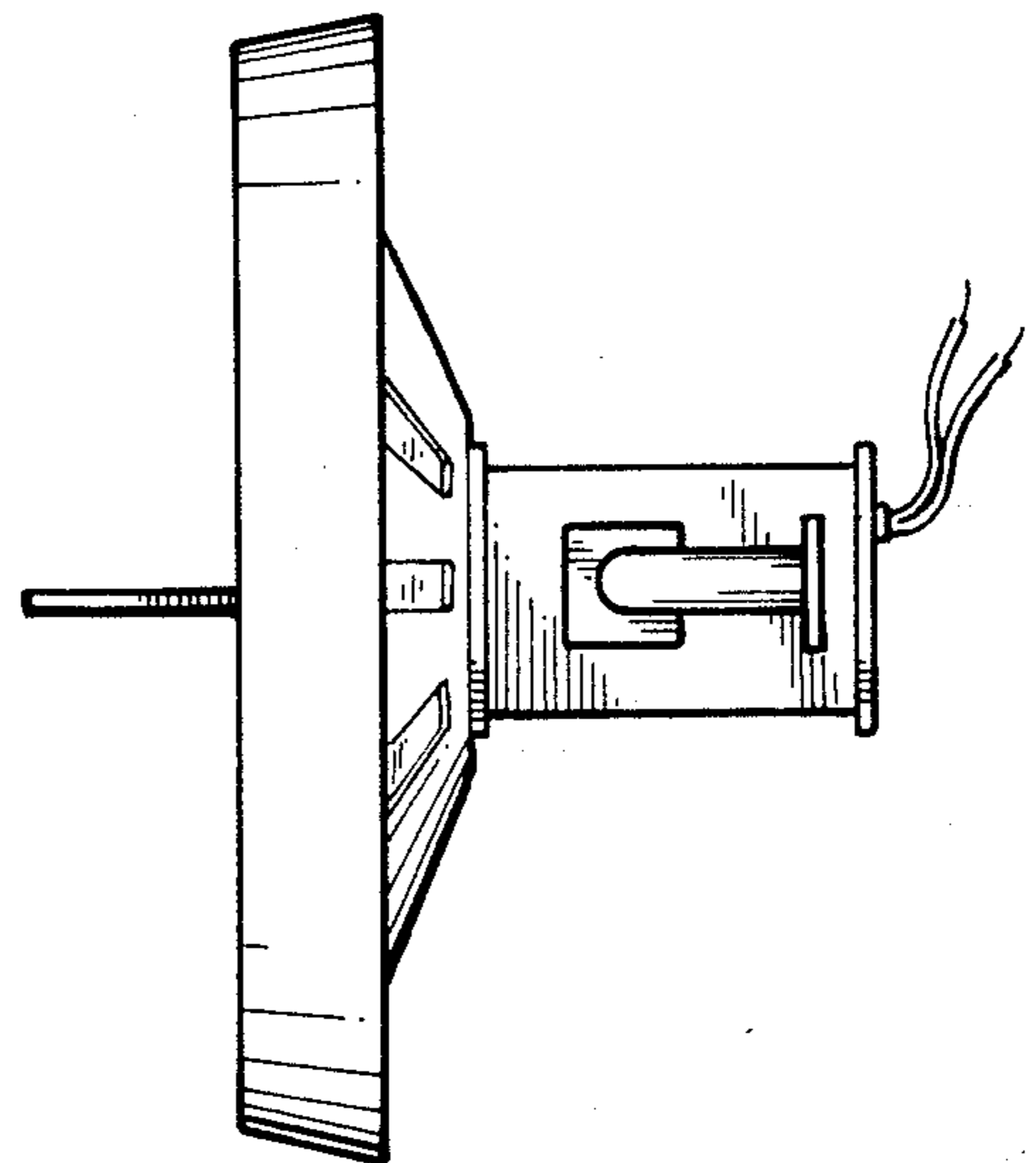


FIG. 22

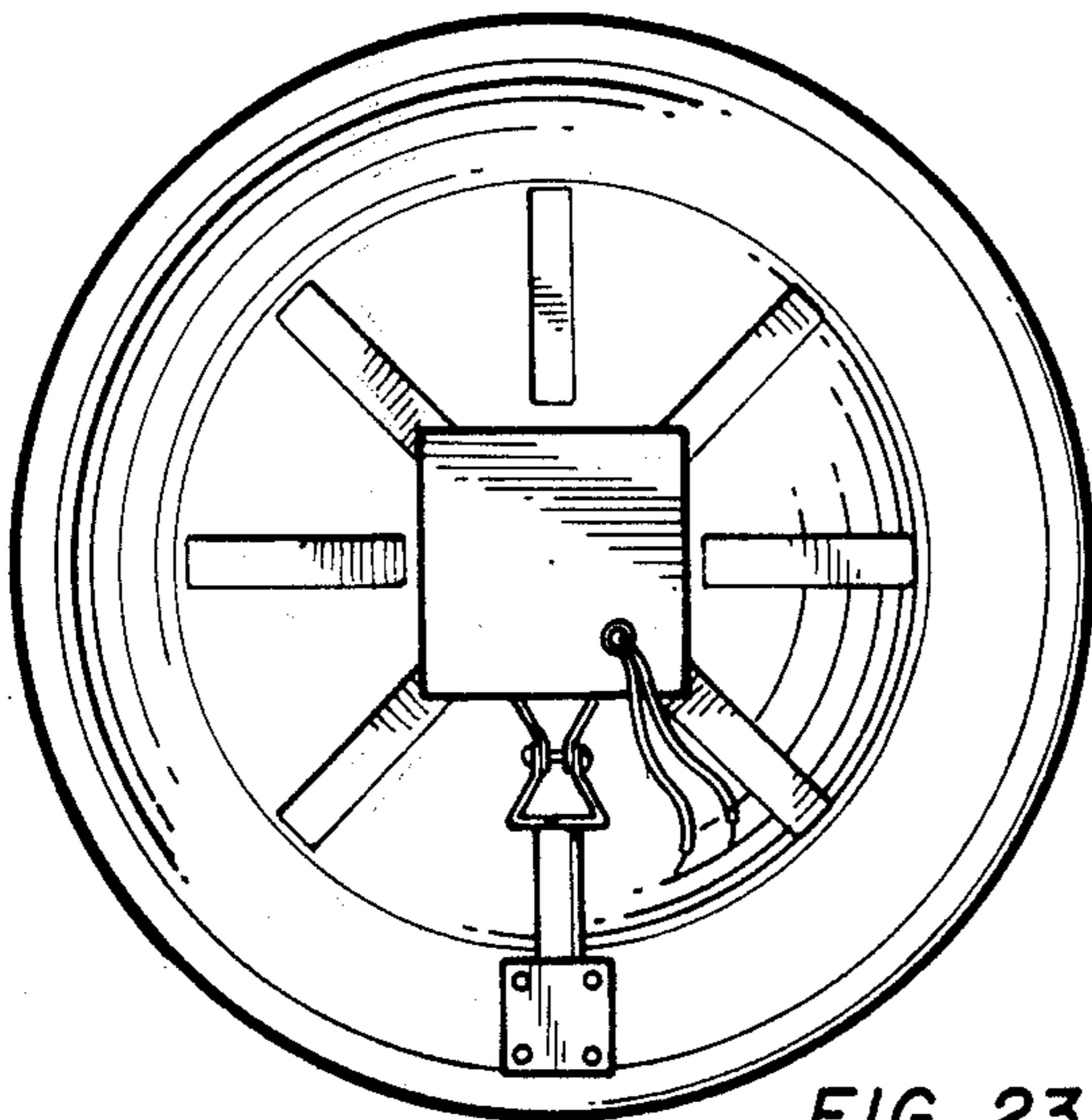


FIG. 23

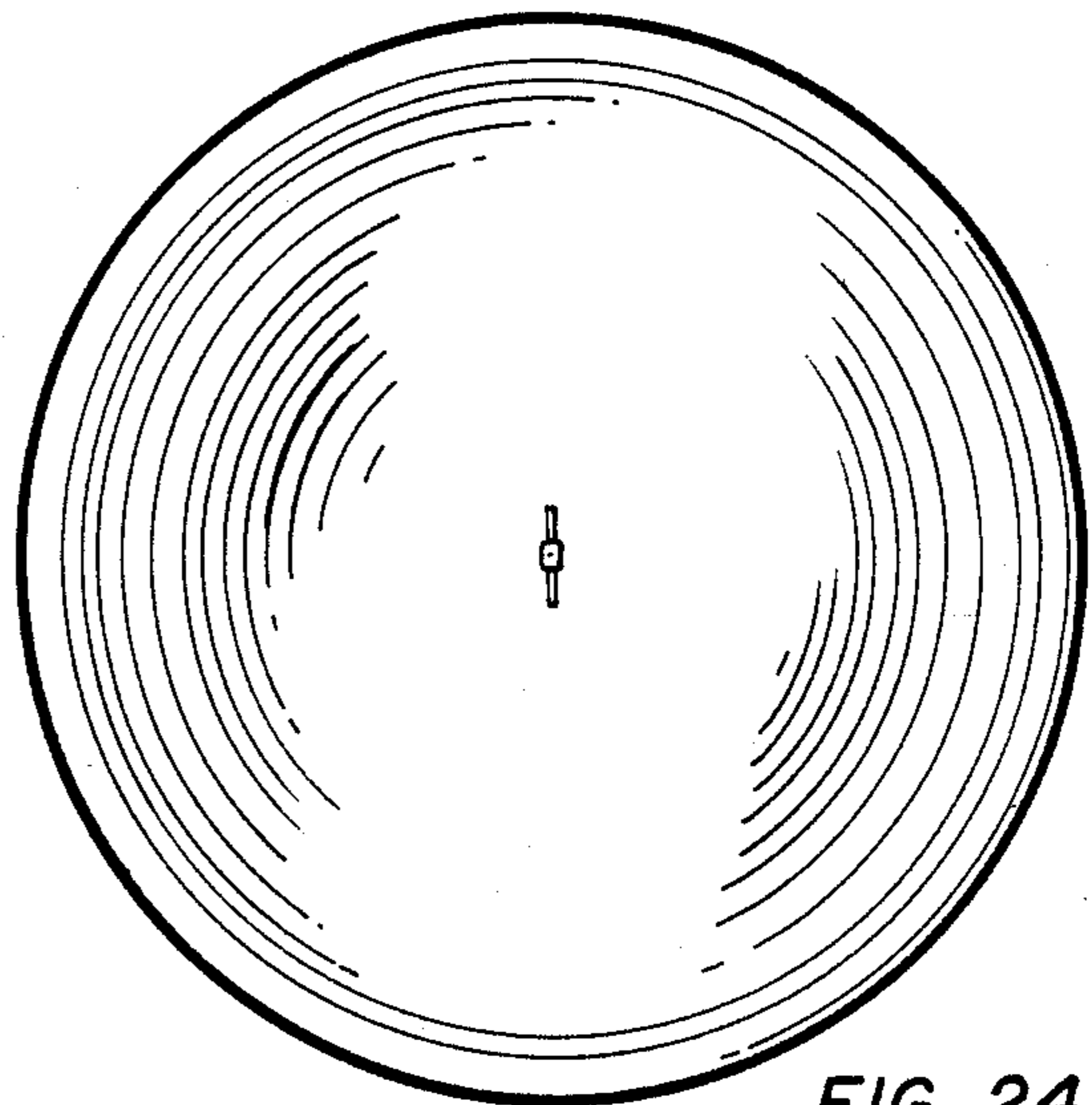


FIG. 24