

[54] SAFETY ATTACHMENT FOR ELECTRICAL OUTLET

[76] Inventor: Robert H. West, 1720 Arvilla Dr., Sacramento, Calif. 95822

[**] Term: 14 Years

[21] Appl. No.: 529,253

[22] Filed: Sep. 6, 1983

[52] U.S. Cl. D13/30; D8/353; 174/67

[58] Field of Search D13/24, 30, 31; D8/350, D8/353; 220/241, 242; 174/66, 67; 339/75 P, 36, 39

[56] References Cited

U.S. PATENT DOCUMENTS

D. 208,205	8/1967	Levinger	D8/350
2,145,155	1/1939	Corbett	220/241 X
3,467,763	9/1969	Shaw	174/67
3,656,083	4/1972	Brook	339/39
3,955,870	5/1976	Wasserman	339/39
3,966,073	6/1976	Geisel	220/242 X

FOREIGN PATENT DOCUMENTS

1388916 3/1975 United Kingdom 339/36

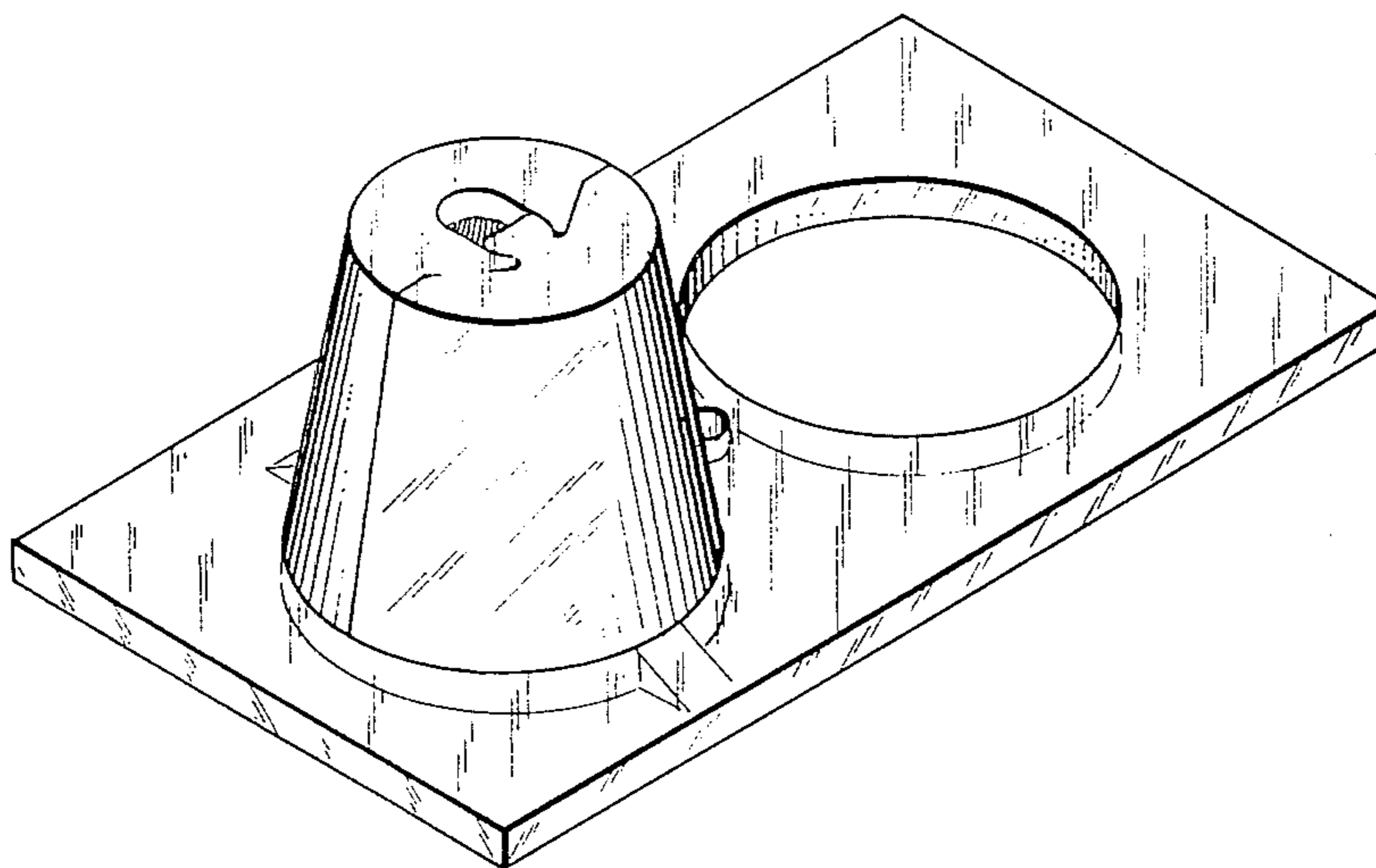
Primary Examiner—Susan J. Lucas
Assistant Examiner—Clare E. Heflin
Attorney, Agent, or Firm—Lothrop & West

[57] CLAIM

The ornamental design for a safety attachment for electrical outlet, as shown and described.

DESCRIPTION

FIG. 1 is a perspective view of a safety attachment for electrical outlet, showing my new design;
FIG. 2 is a top plan view thereof;
FIG. 3 is a bottom plan view thereof;
FIG. 4 is an elevational view of one end thereof, the opposite end view being a mirror image thereof;
FIG. 5 is an elevational view of one side thereof, the opposite side view being a mirror image thereof; and,
FIG. 6 is a transverse sectional view thereof, taken on the line 6—6 in FIG. 2 and showing the mounting plate overlying the oppositely directed feet projecting from the base of the plug shield.
The broken lines in FIG. 5 representing an electrical outlet cover plate, screw and outlet plug form no part of the design.



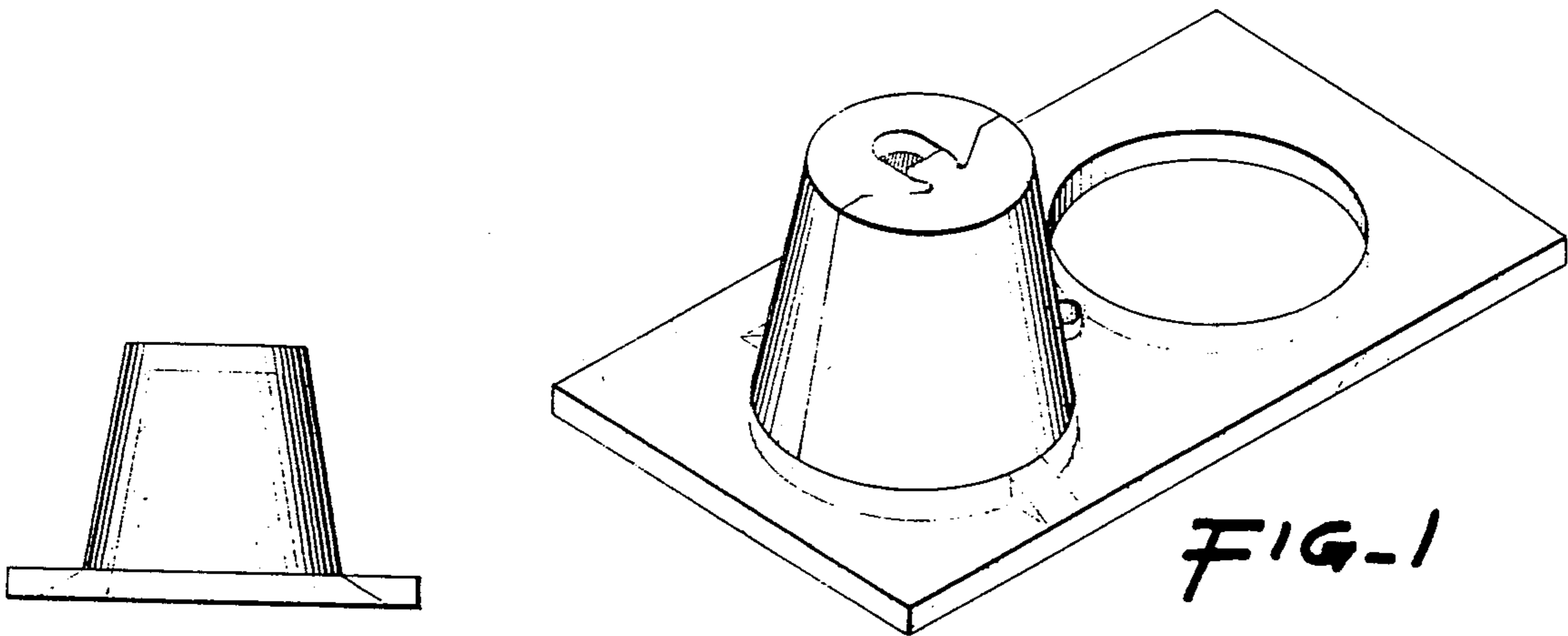


FIG-1

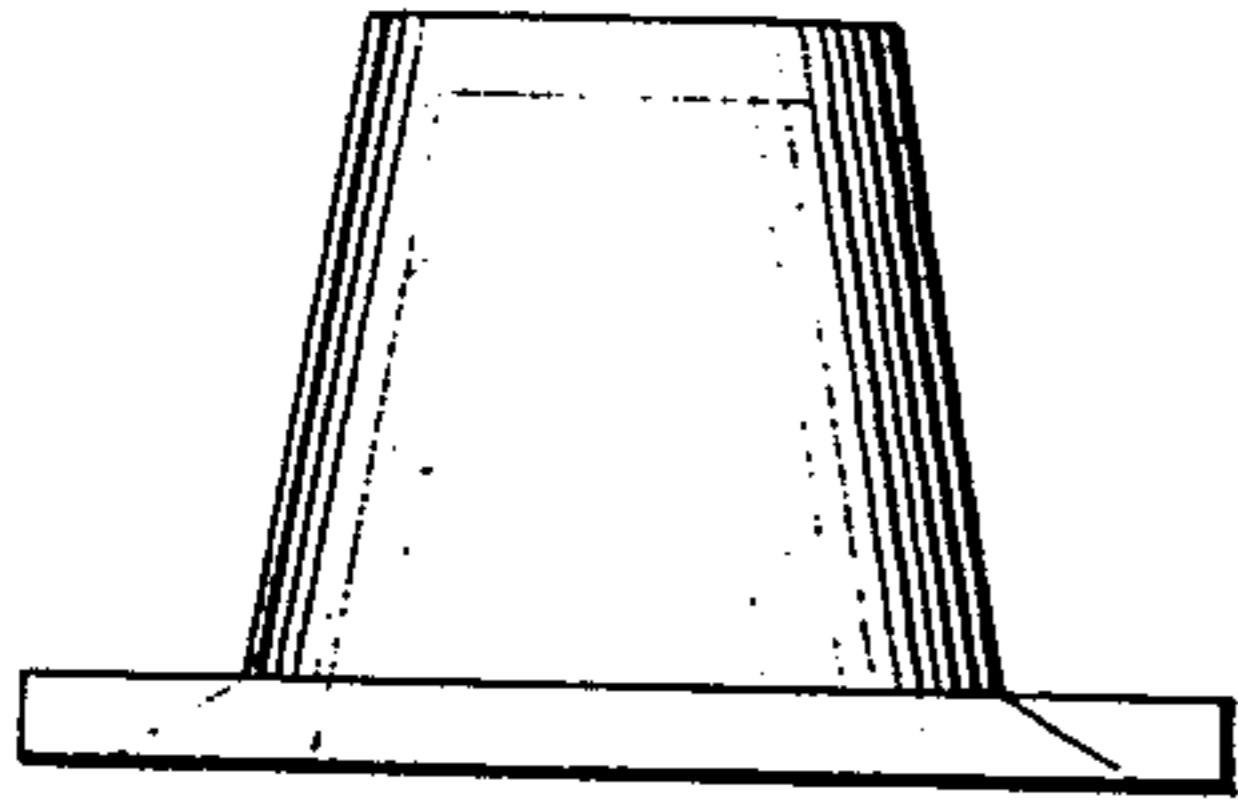


FIG-4

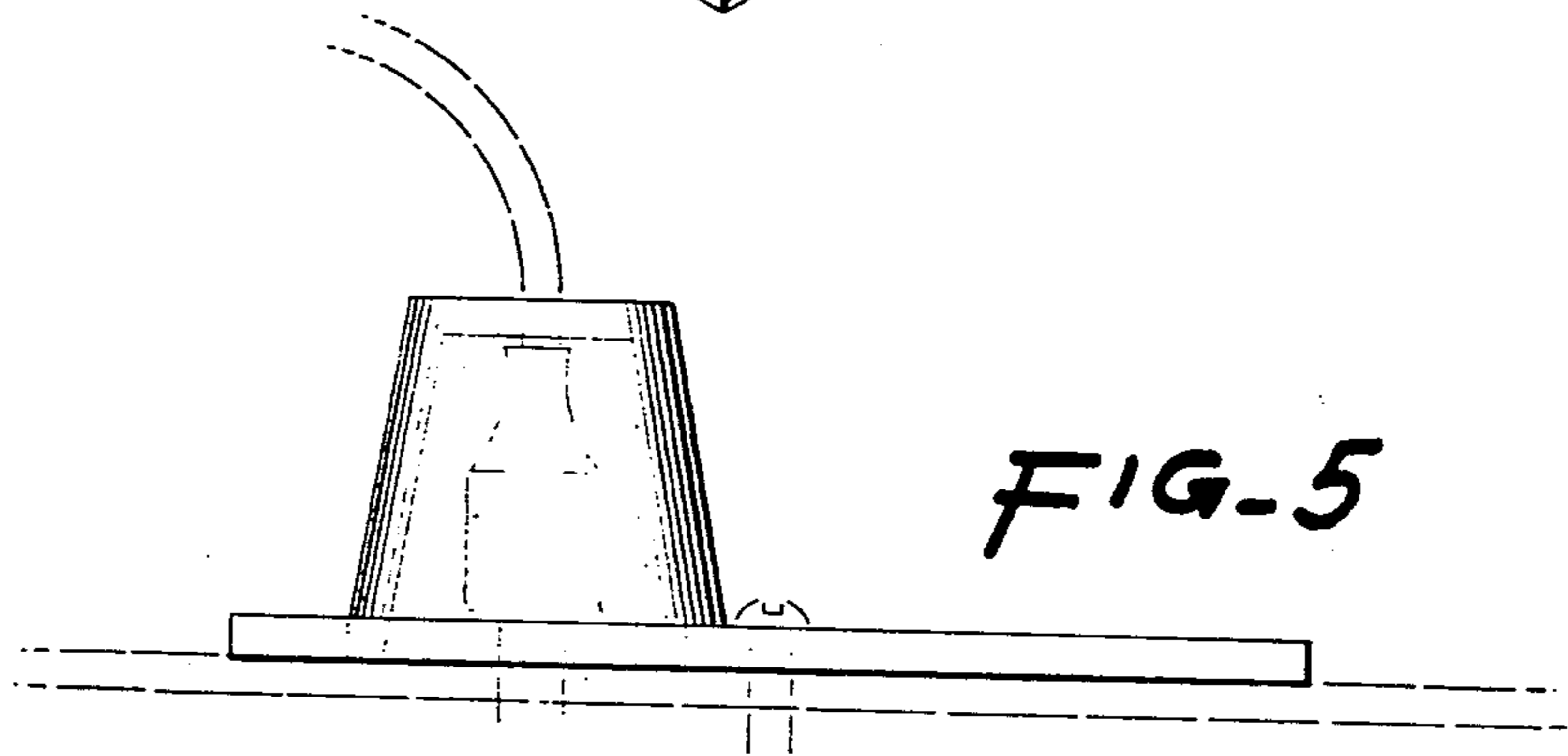


FIG-5

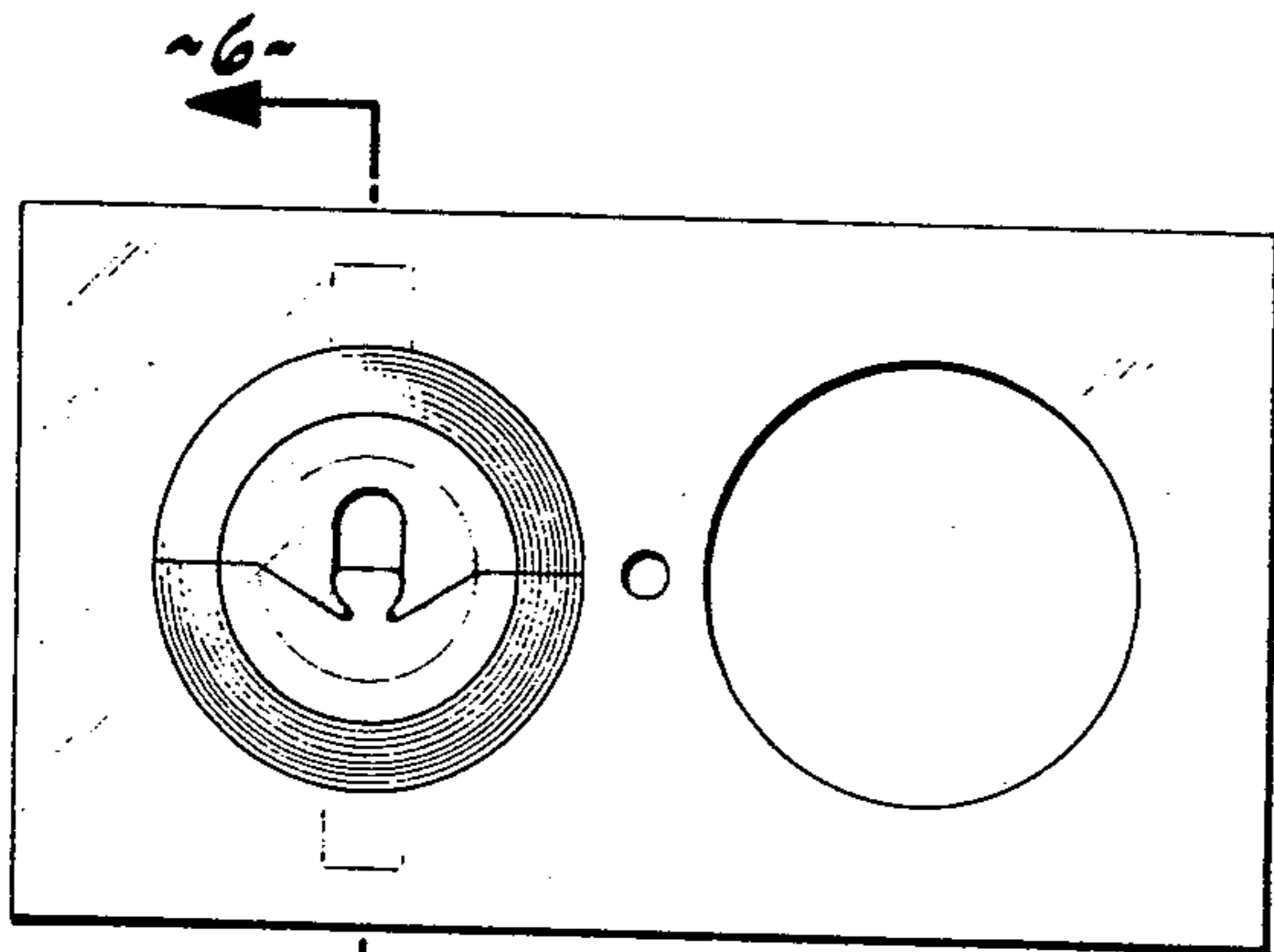


FIG-2

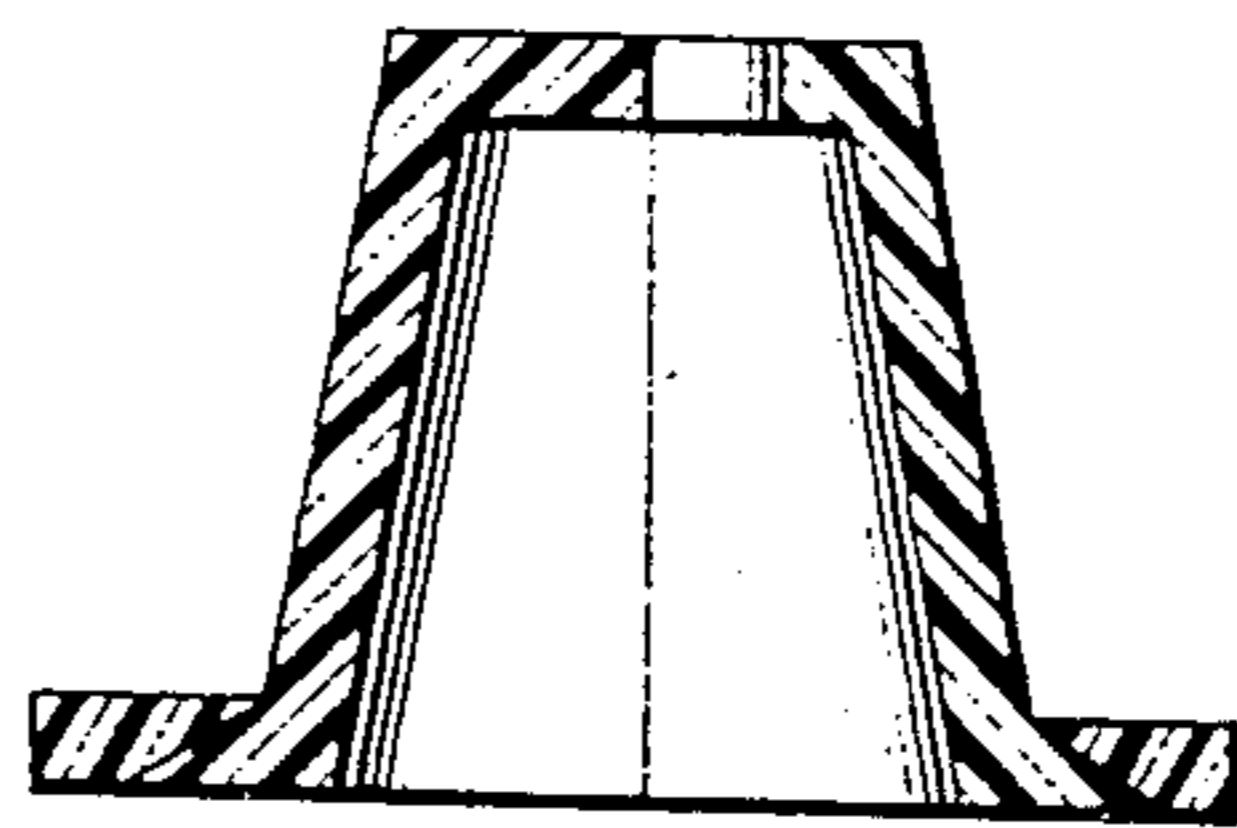


FIG-6

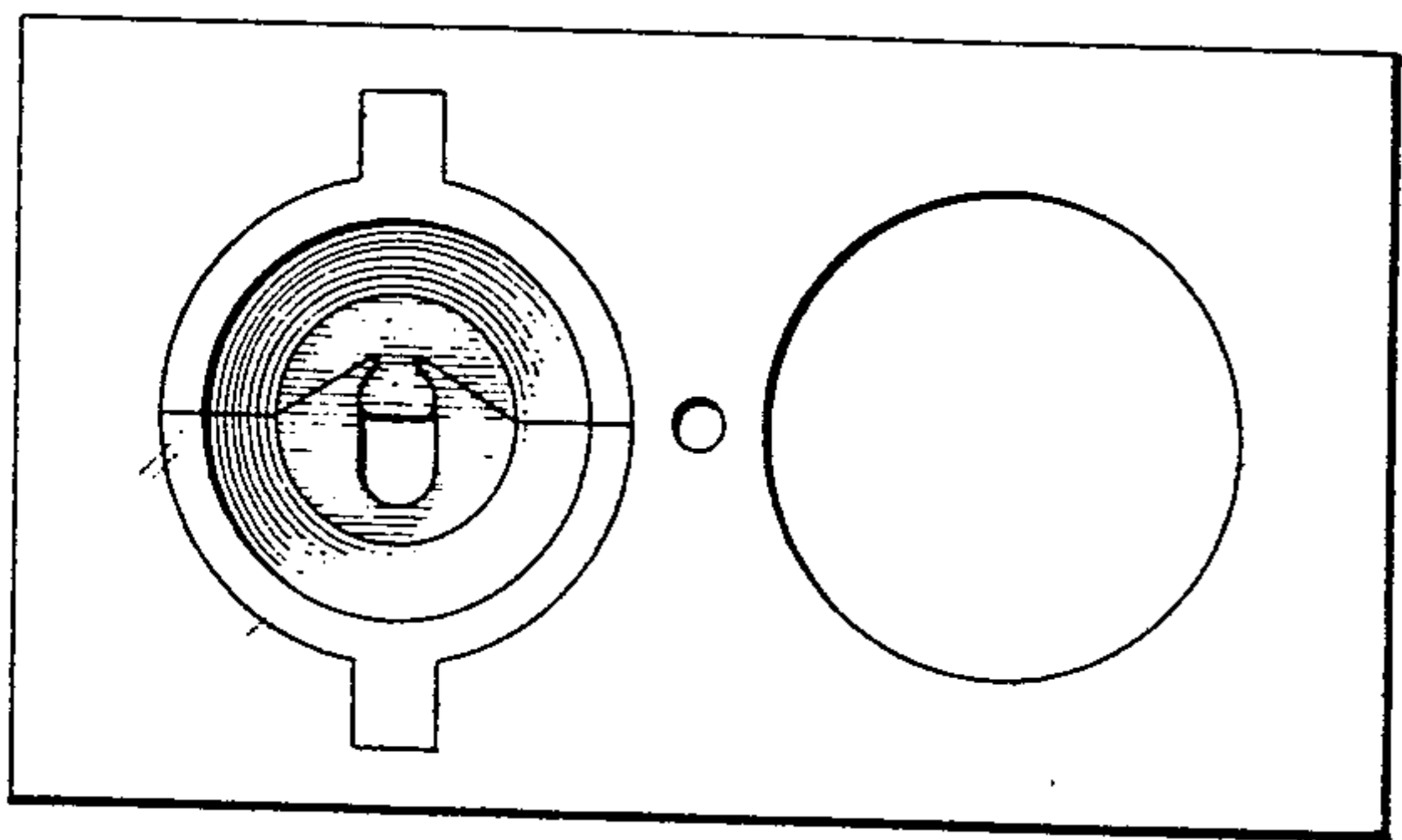


FIG-3