

[54] TRUCK REAR GRILL

[76] Inventor: Vahe Karapetian, 4801 Los Feliz Blvd., Los Angeles, Calif. 90027

[**] Term: 14 Years

[21] Appl. No.: 566,295

[22] Filed: Dec. 27, 1983

[52] U.S. Cl. D12/181

[58] Field of Search D12/181, 164; D23/142; 296/15

[56] References Cited

U.S. PATENT DOCUMENTS

D. 258,234 2/1981 Anderson et al. D23/142

FOREIGN PATENT DOCUMENTS

1281254 7/1972 United Kingdom 296/15

Primary Examiner—James M. Gandy
Attorney, Agent, or Firm—Harvey S. Hertz

[57] CLAIM

The ornamental design for a truck rear grill, as shown and described.

DESCRIPTION

FIG. 1 is a perspective view of the truck rear grill, showing my new design, it being understood that the broken lines are for illustrative purposes only; FIG. 2 is an enlarged left side elevational view thereof; FIG. 3 is an enlarged top plan view thereof; FIG. 4 is an enlarged front elevational view thereof; FIG. 5 is an enlarged rear elevational view thereof; and FIG. 6 is an enlarged bottom plan view thereof.

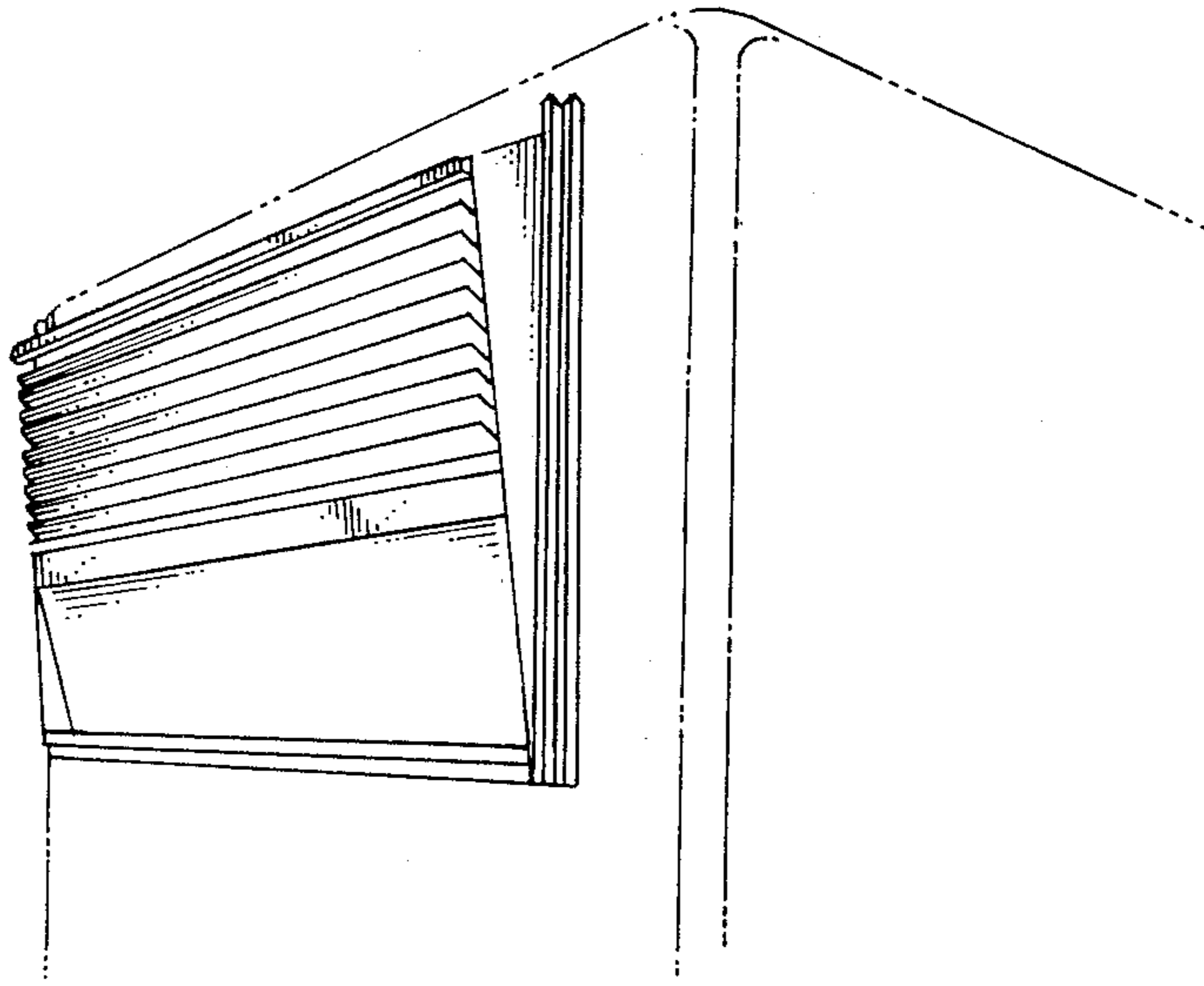


FIG. 1

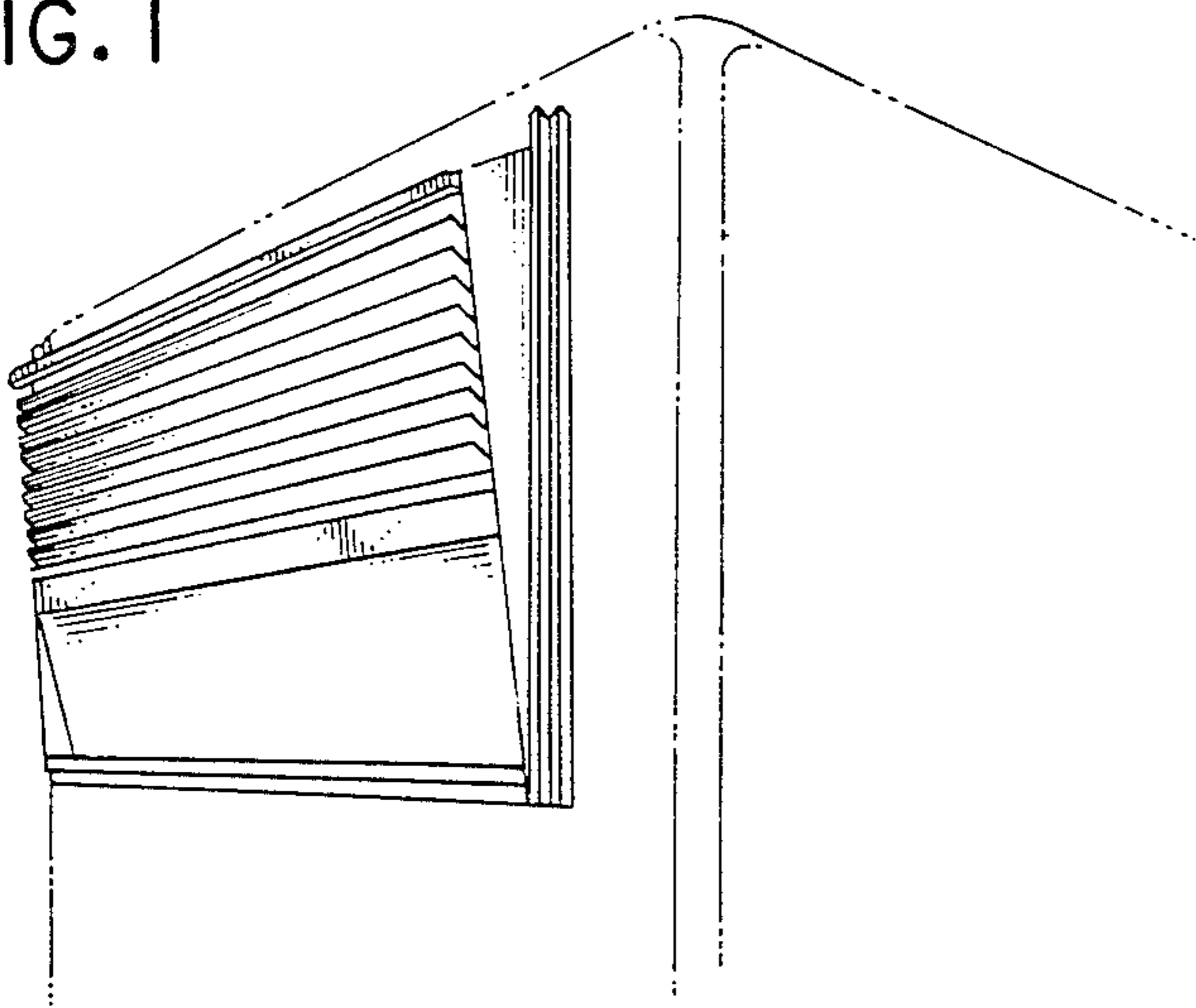


FIG. 2

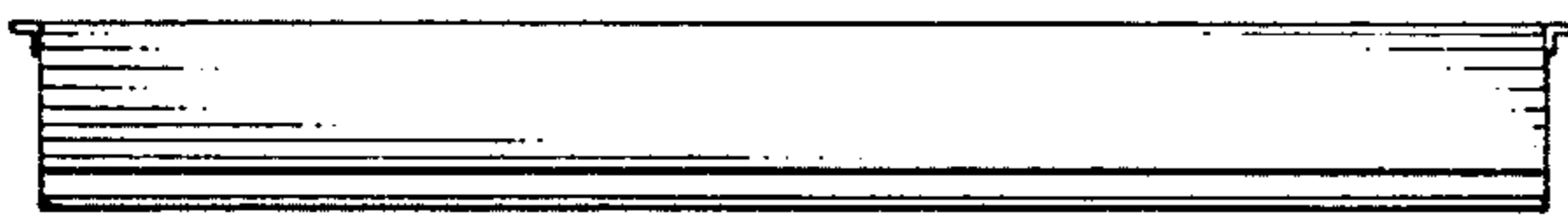
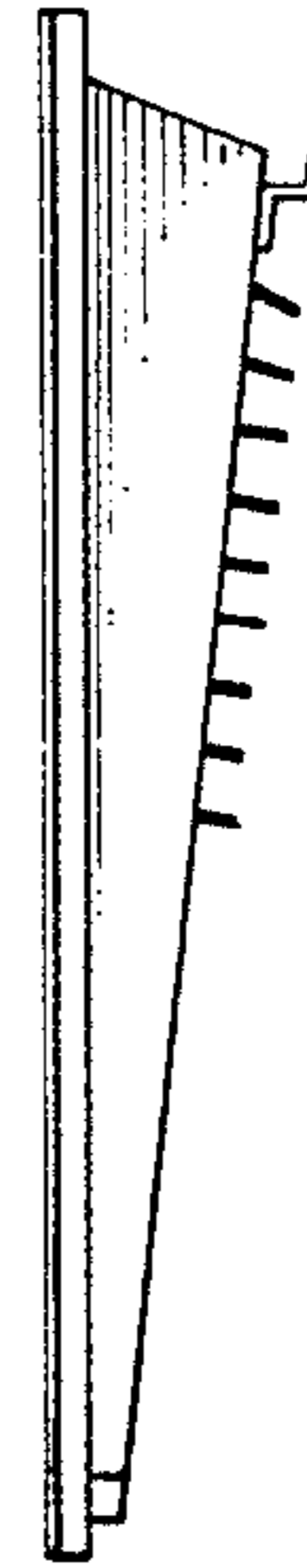


FIG. 3

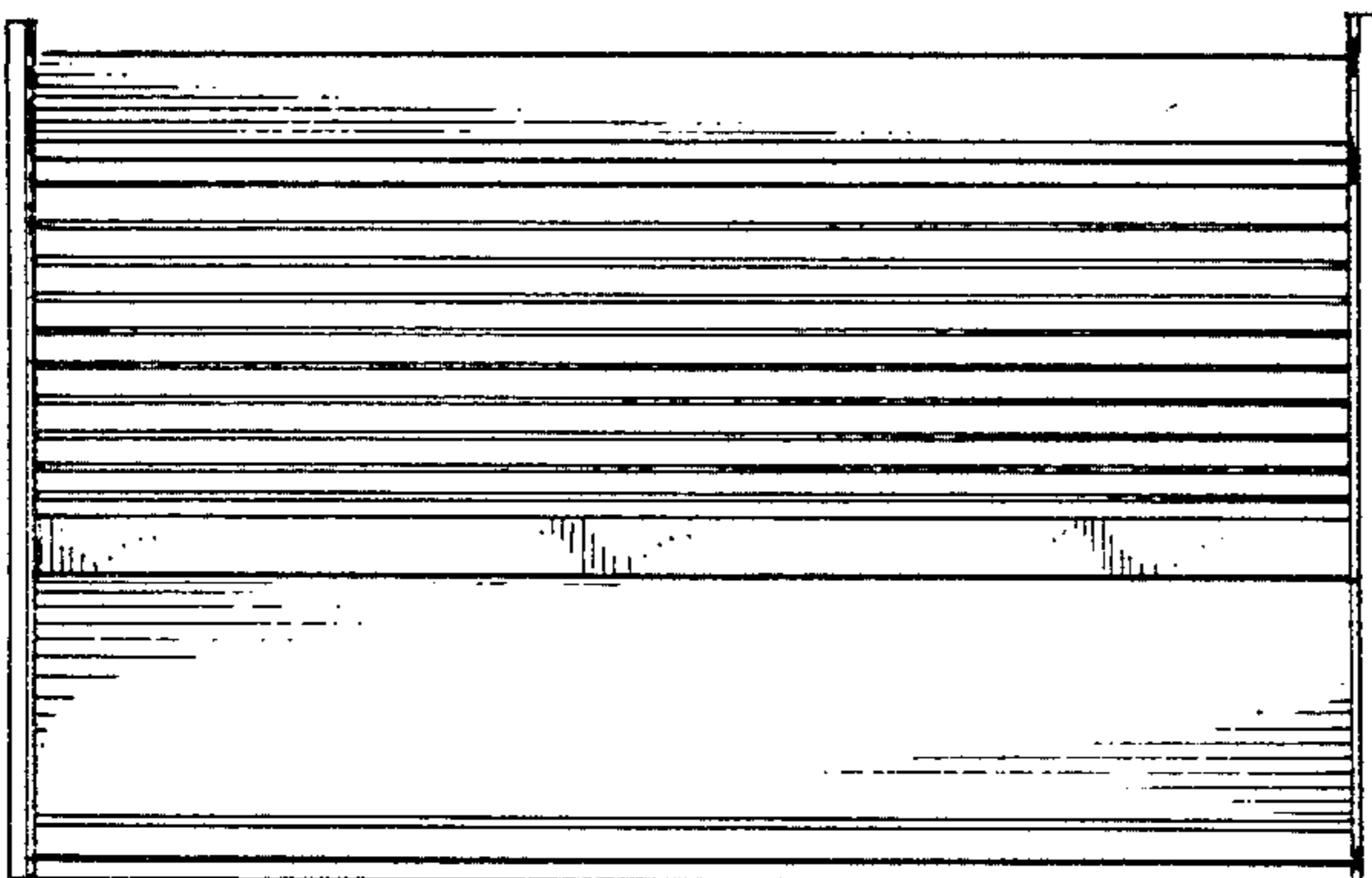


FIG. 4

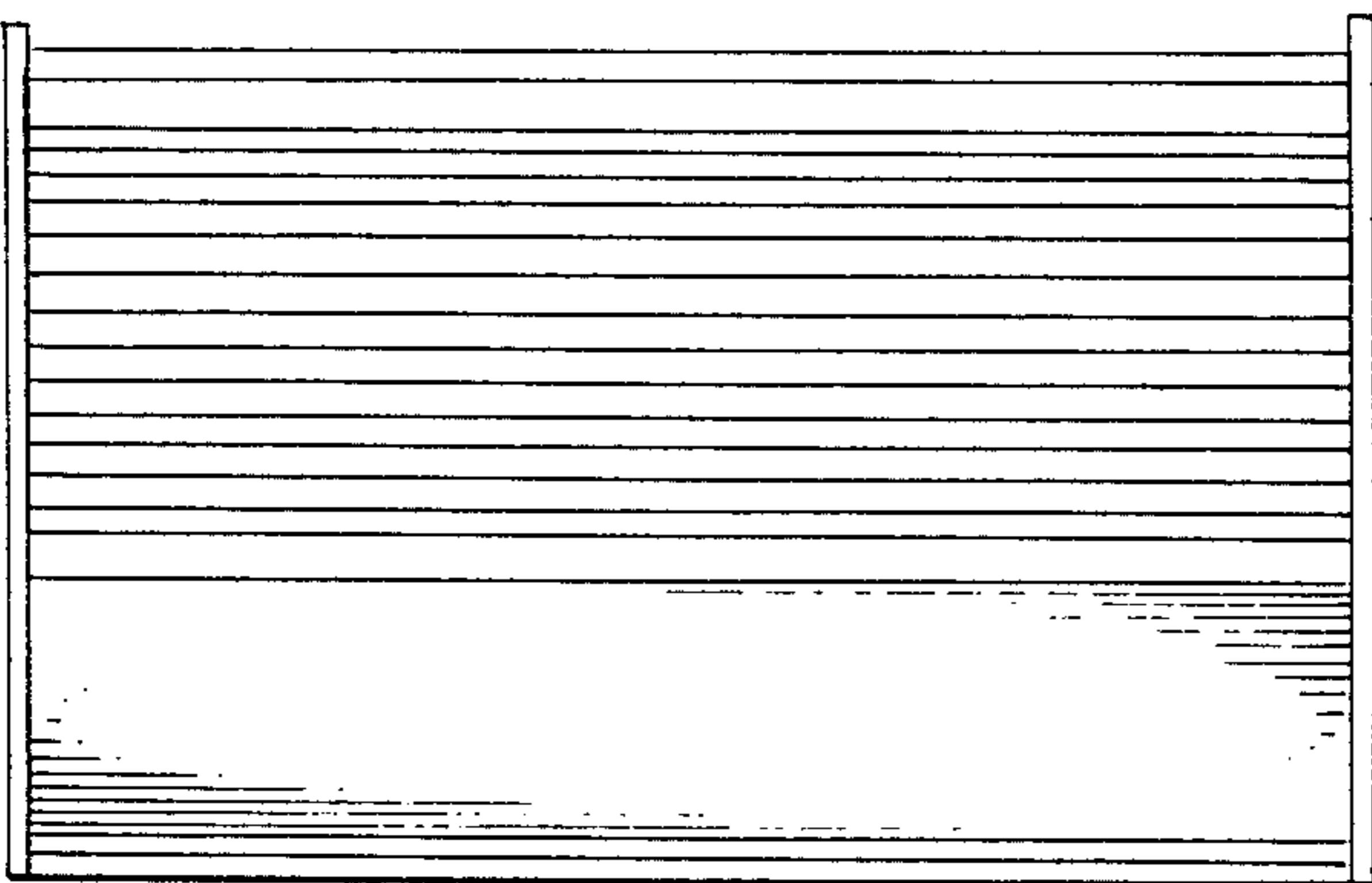


FIG. 5

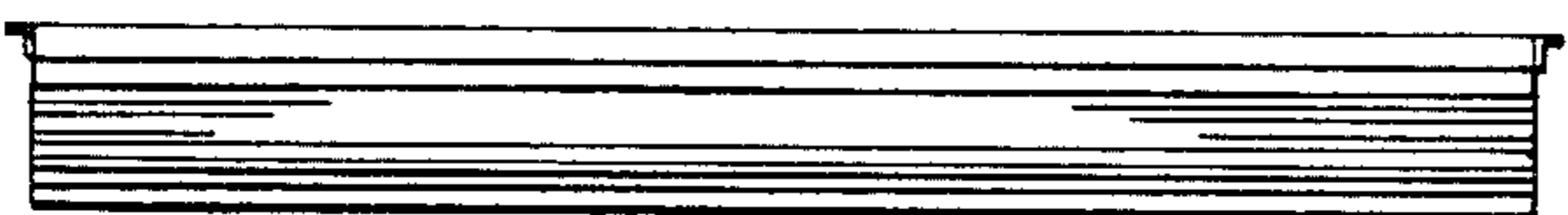


FIG. 6