

[54] STEERABLE DETACHABLE WHEELCHAIR PRIME MOVER

[75] Inventors: James A. Palmer, Saginaw; Stephen C. Gromak, Auburn, both of Mich.

[73] Assignee: Mobility Manufacturing Co., Bridgeport, Mich.

[**] Term: 14 Years

[21] Appl. No.: 474,826

[22] Filed: Mar. 14, 1983

[52] U.S. Cl. D12/133

[58] Field of Search D12/133; 180/13, 65.4, 180/907

[56] References Cited

U.S. PATENT DOCUMENTS

2,649,309	8/1953	Deissner	280/42
3,912,032	10/1975	Benz et al.	180/13
3,921,744	11/1975	Benoit et al.	180/13
3,939,931	2/1976	Benz	180/13
4,162,711	7/1979	Cornelius	180/13

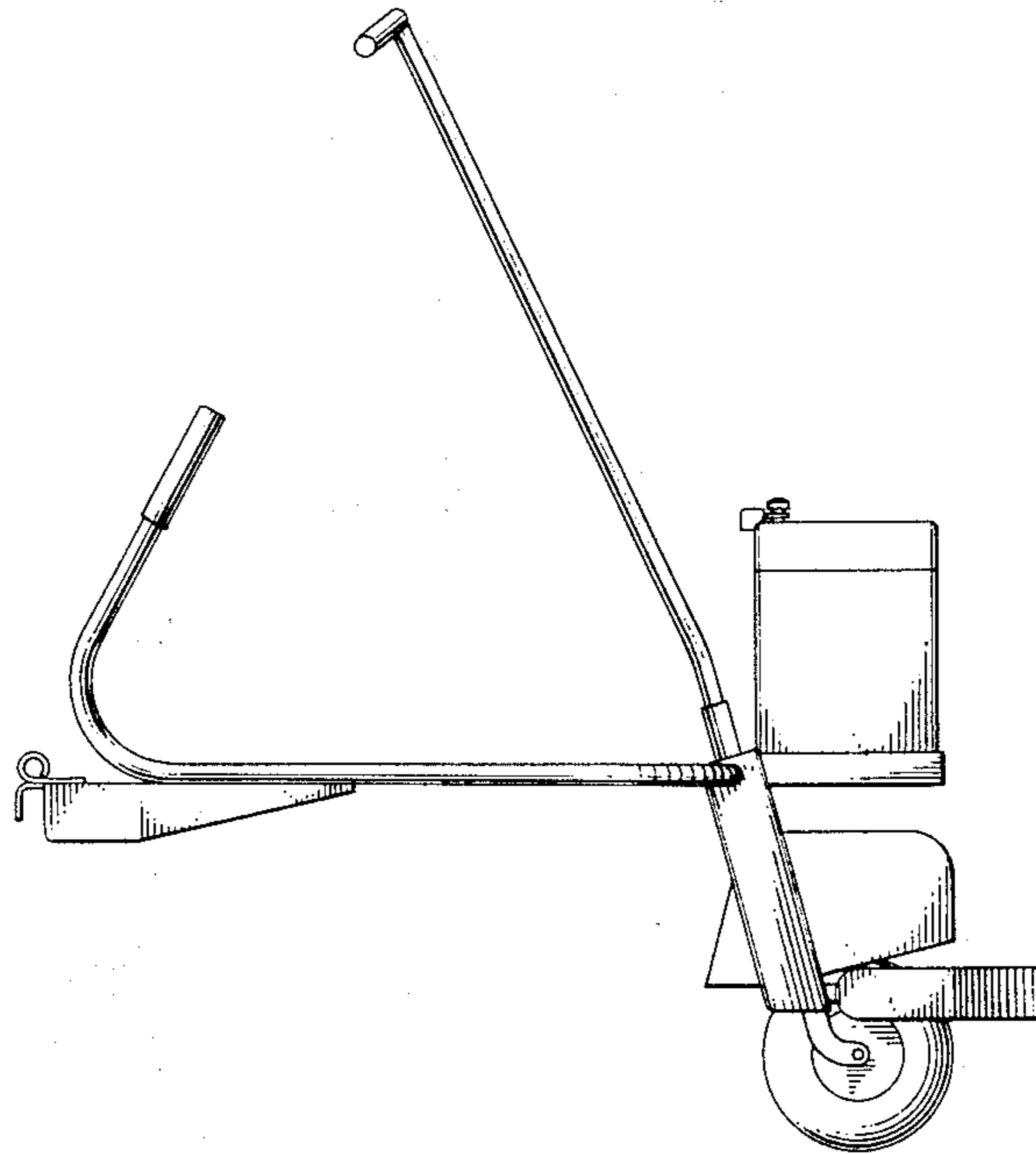
Primary Examiner—James M. Gandy
Attorney, Agent, or Firm—Learman & McCulloch

[57] CLAIM

The ornamental design for a steerable detachable wheelchair prime mover, as shown and described.

DESCRIPTION

FIG. 1 is a side elevational view of a steerable, detachable wheelchair prime mover showing our new design; FIG. 2 is a top plan view thereof; FIG. 3 is a front elevational view thereof; FIG. 4 is a rear elevational view thereof; and FIG. 5 is a bottom plan view thereof.



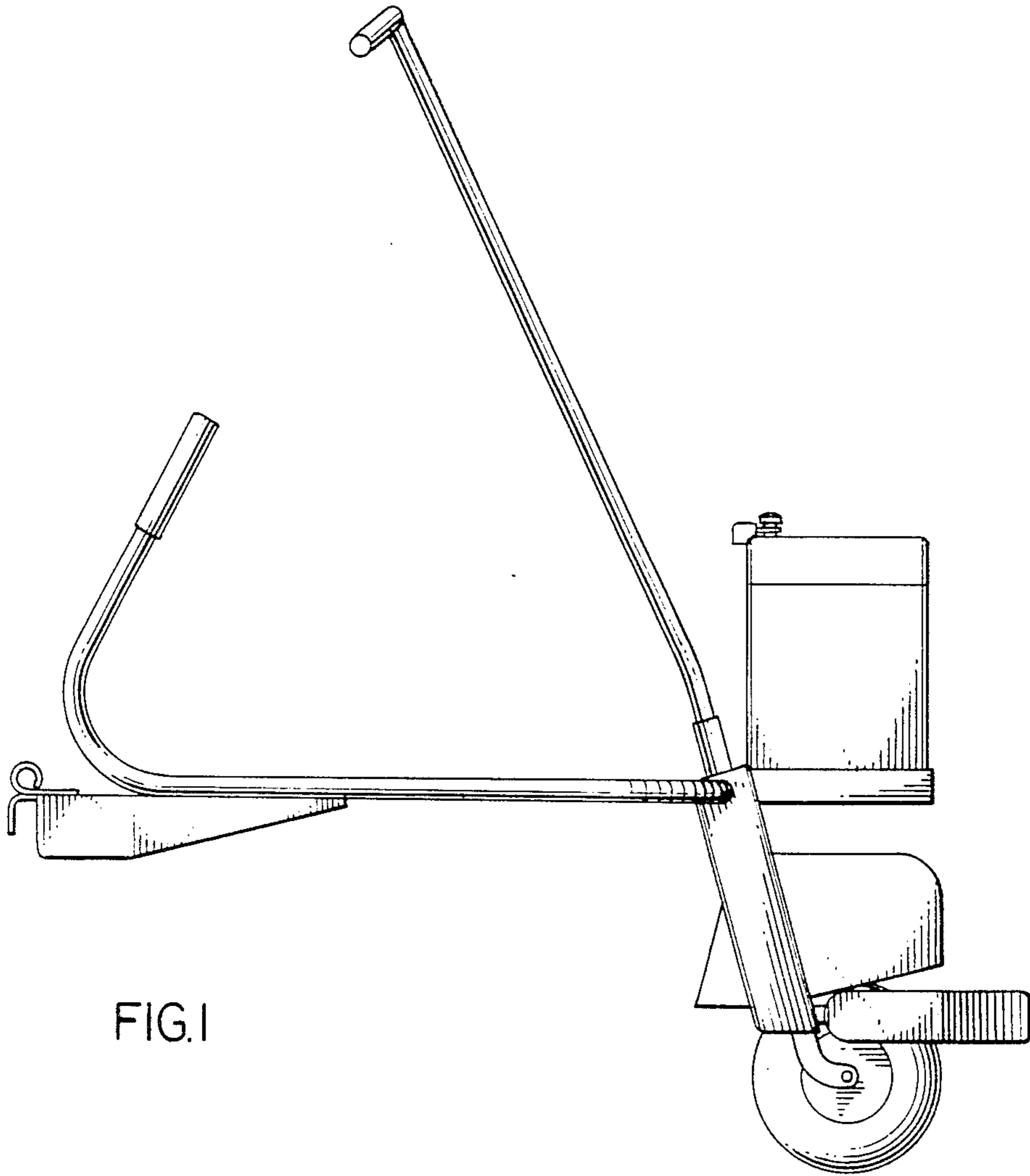


FIG. 1

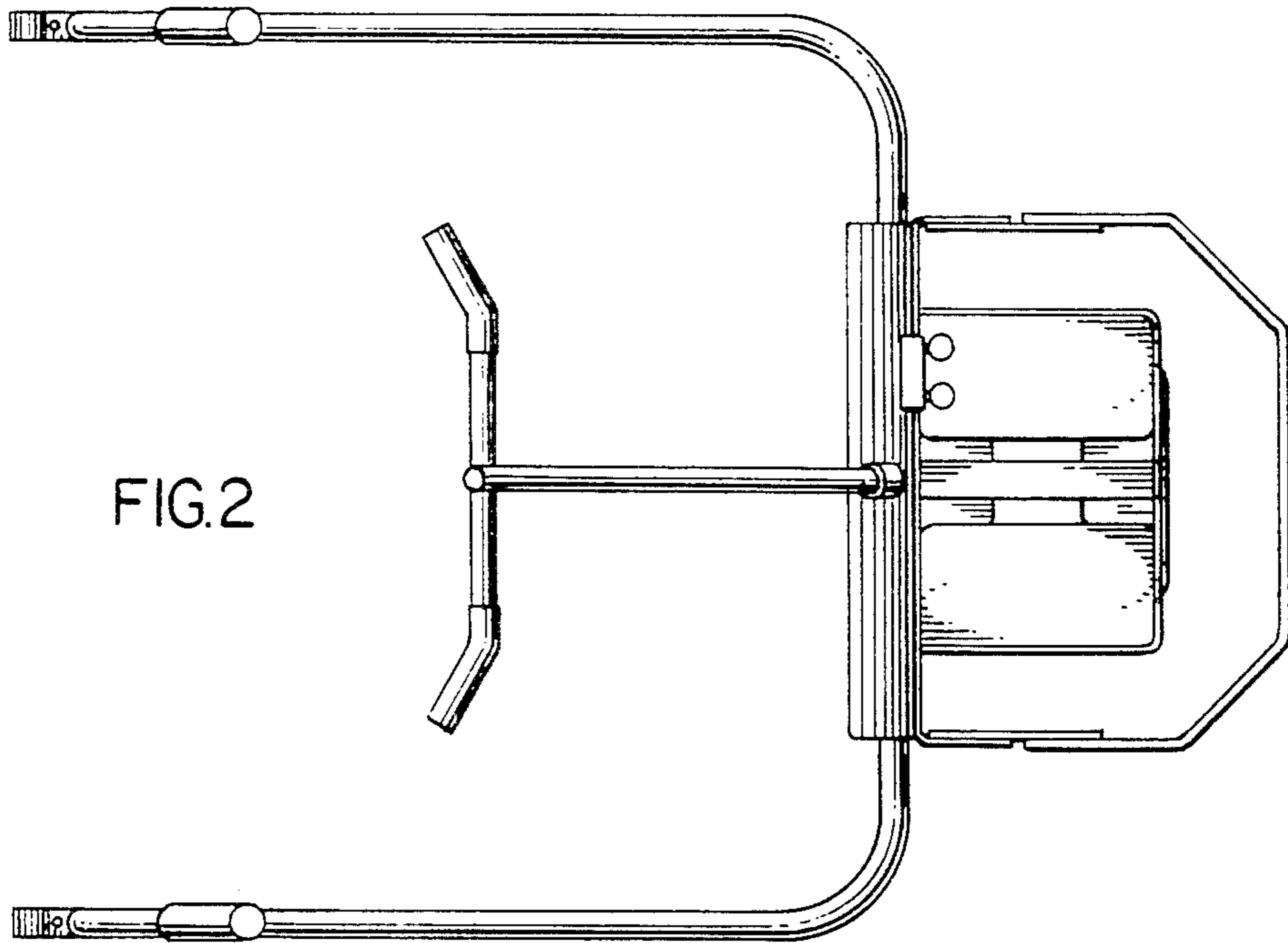


FIG. 2

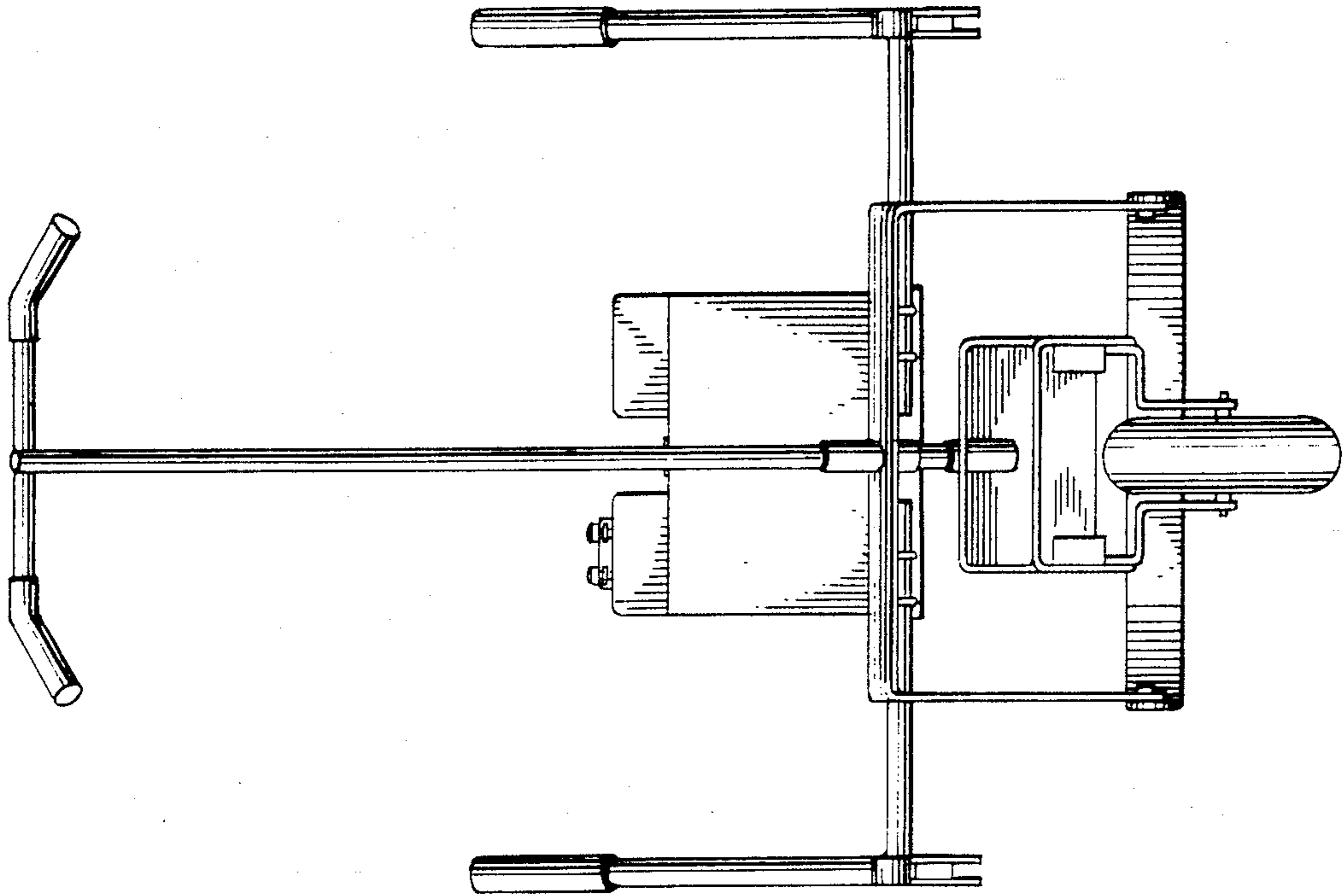


FIG.4

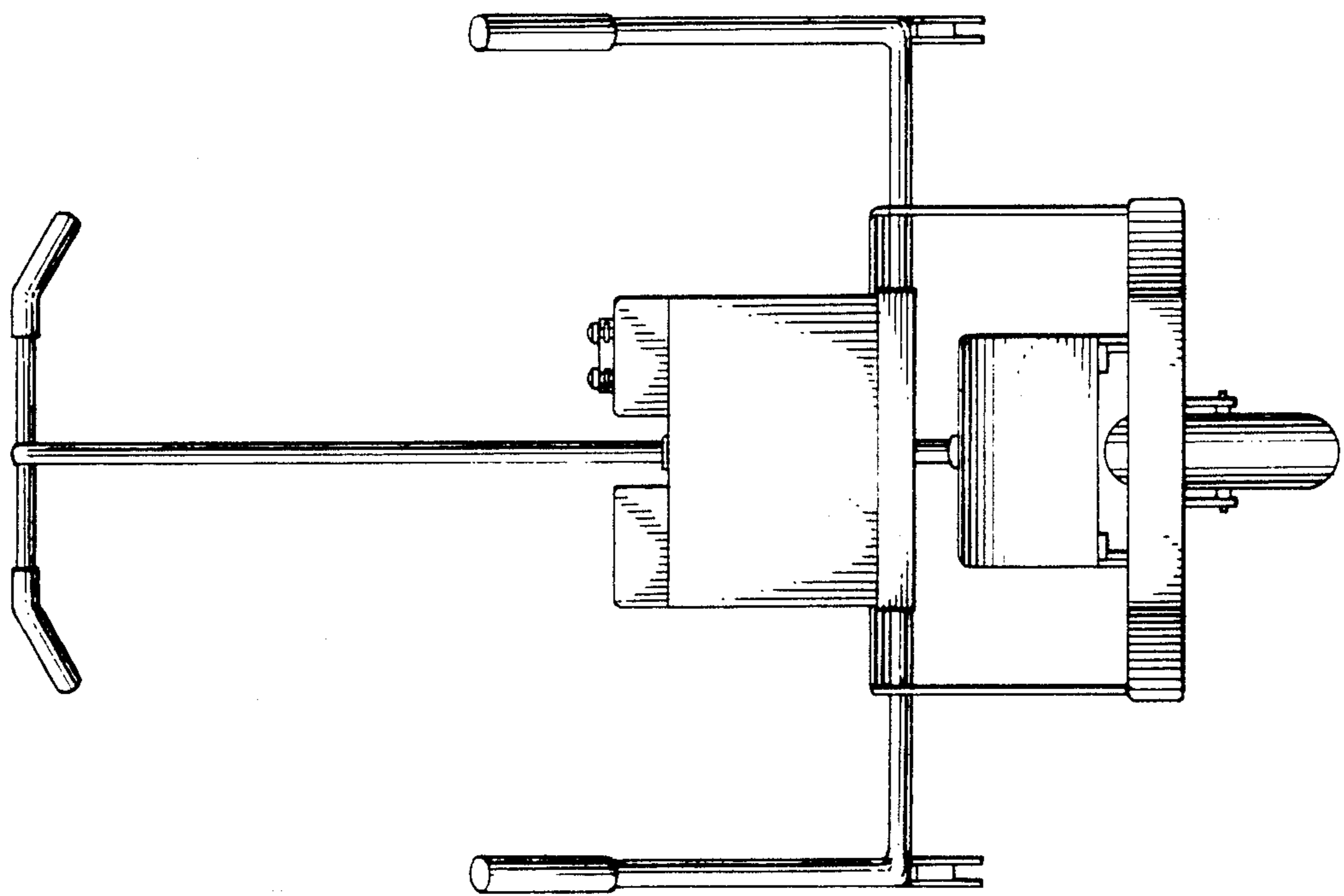


FIG.3

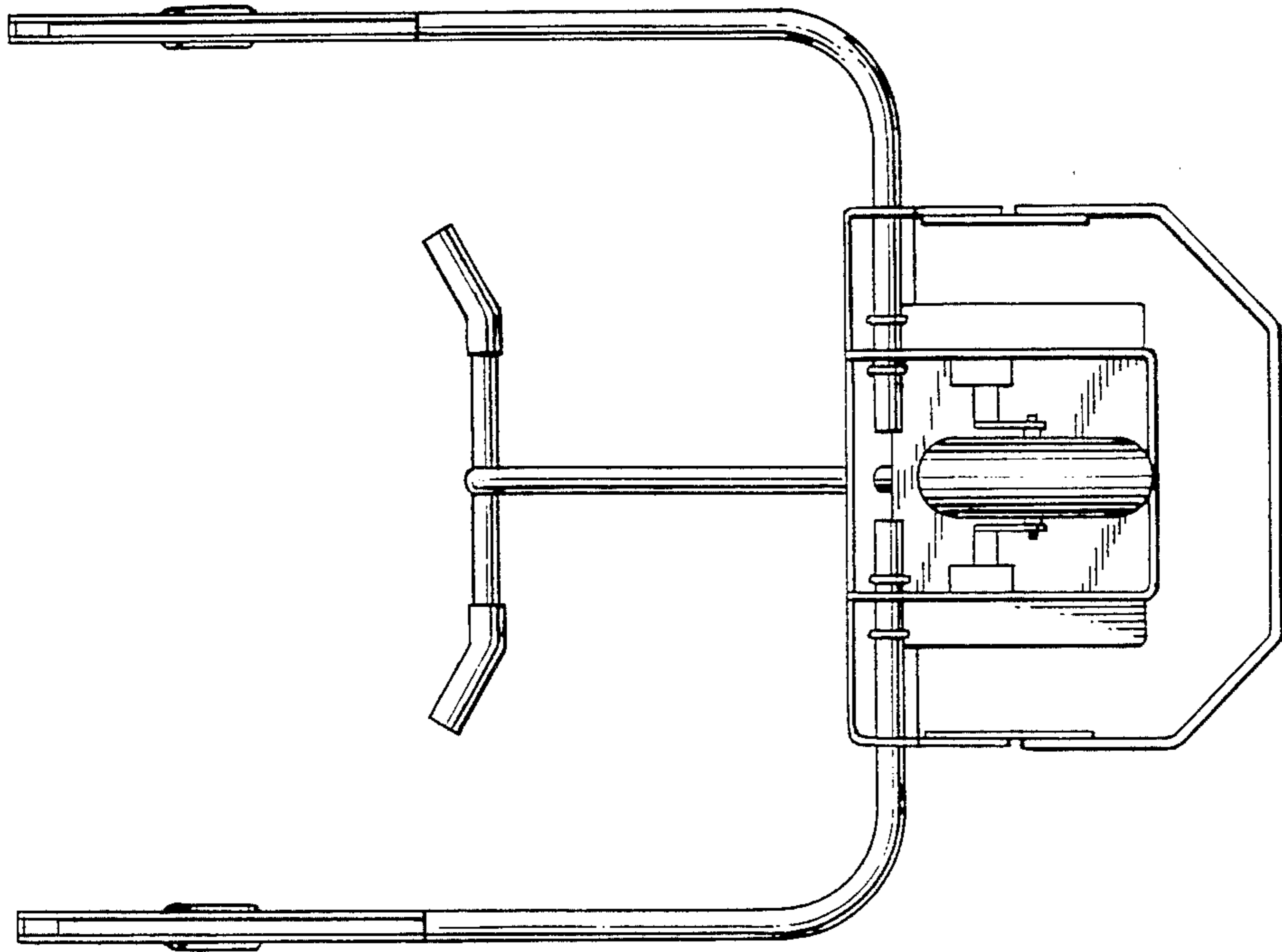


FIG.5