

[54] **GARDEN HOSE WATER METER**

[76] **Inventor: Thomas C. McDonald, 516 E. Locust St., Apt 5, Lodi, Calif. 95240**

[**] **Term: 14 Years**

[21] **Appl. No.: 549,778**

[22] **Filed: Nov. 8, 1983**

[52] **U.S. Cl. D10/96; D10/99; D23/44**

[58] **Field of Search D10/46, 96, 99, 70, D10/49, 101-103; D23/21, 35, 45, 44; 73/198-200, 431, 861**

[56] **References Cited**

U.S. PATENT DOCUMENTS

- D. 27,697 9/1897 Bassett D10/99
- D. 165,953 2/1952 Webster D10/99 X
- D. 192,699 5/1962 Charles D10/99 X

D. 209,699 12/1967 Pagani D10/70

Primary Examiner—Louis S. Zarfes
Attorney, Agent, or Firm—Linval B. Castle

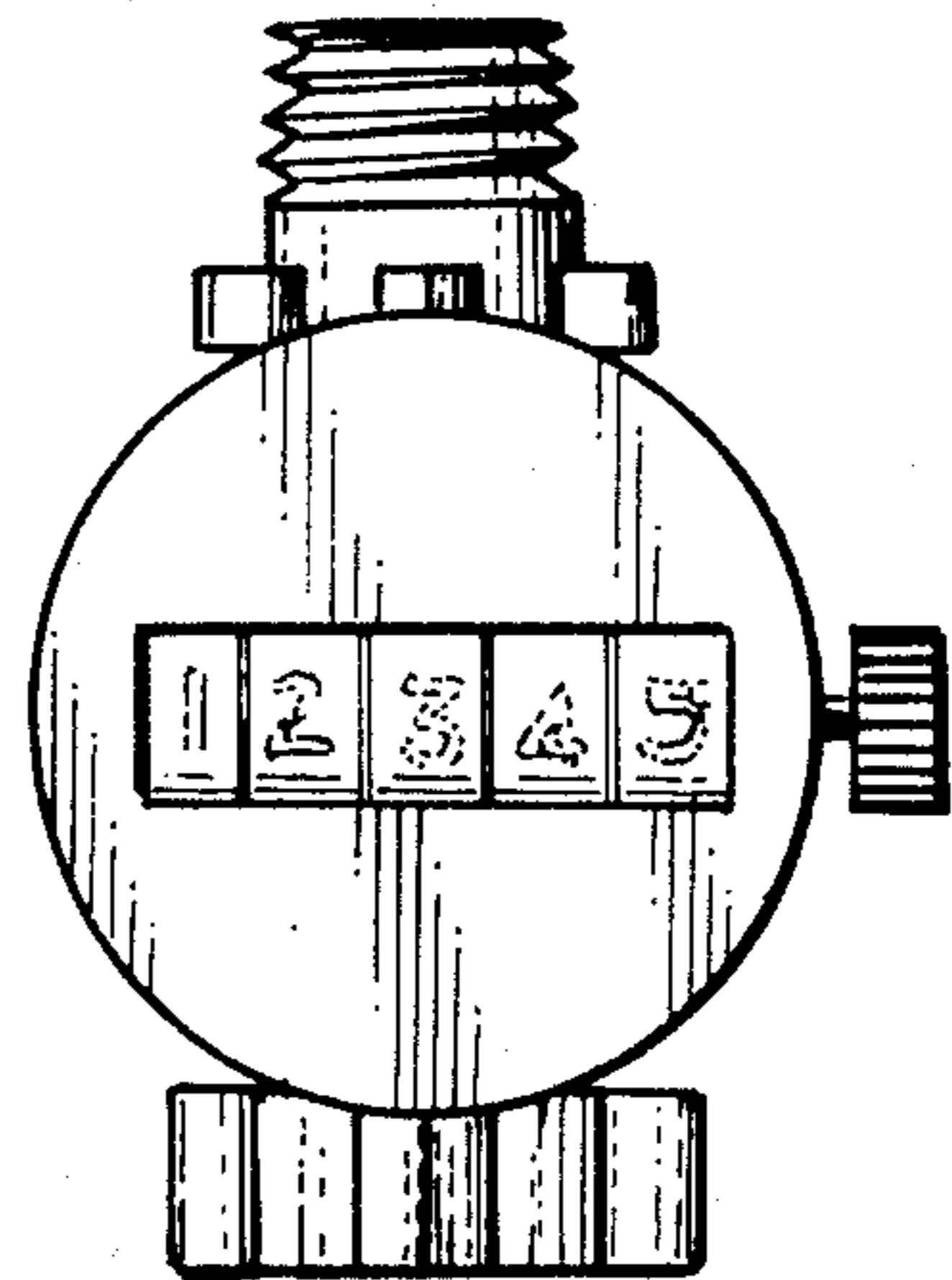
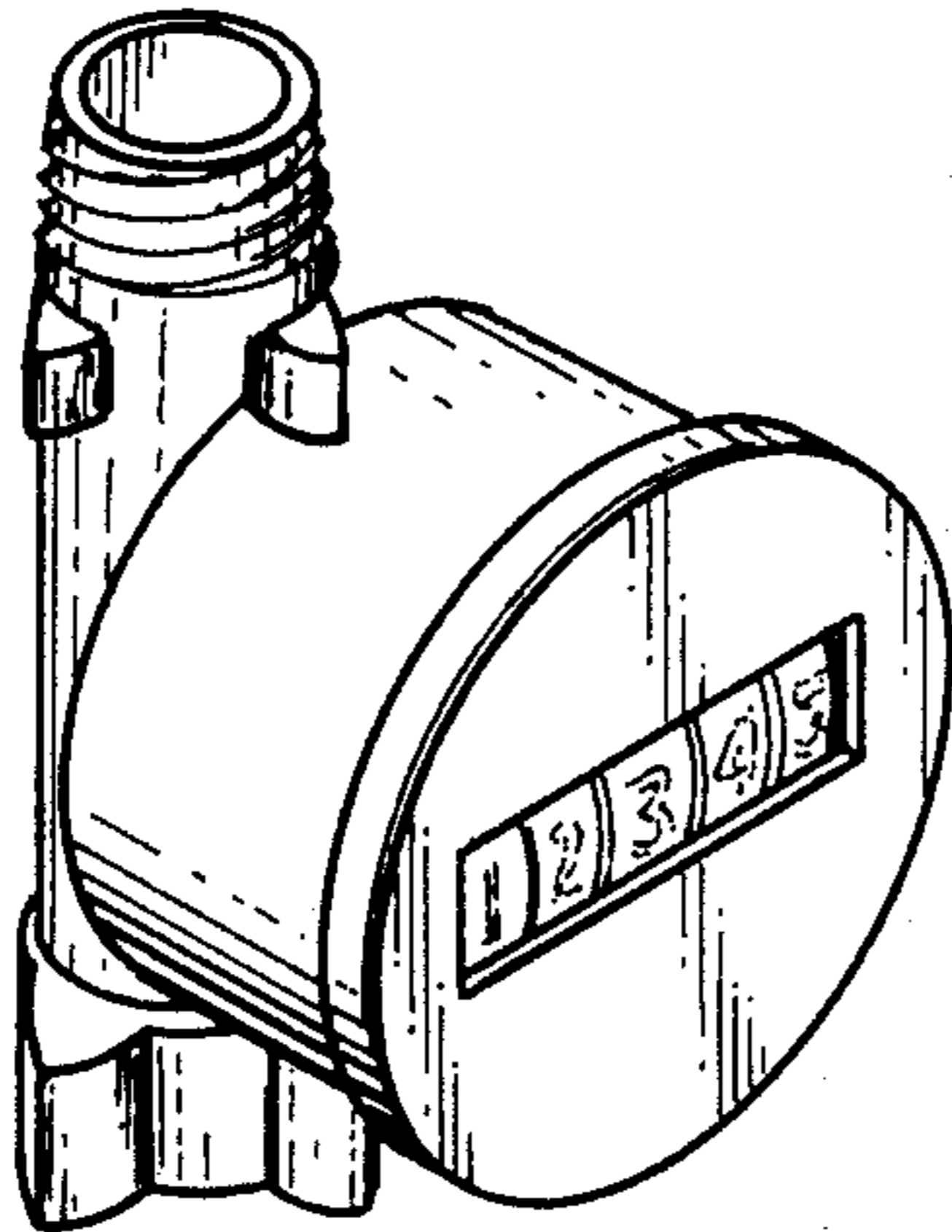
[57] **CLAIM**

The ornamental design for a garden hose water meter, as shown and described.

DESCRIPTION

FIG. 1 is a perspective view of a garden hose water meter showing my new design;
FIG. 2 is a front elevational view thereof;
FIG. 3 is a rear elevational view thereof;
FIG. 4 is a left side elevational view thereof;
FIG. 5 is a right side elevational view thereof;
FIG. 6 is a top plan view thereof; and
FIG. 7 is a bottom plan view thereof.

The broken line showing of specific numerals in the window is for illustrative purposes only and forms no part of the claimed design.



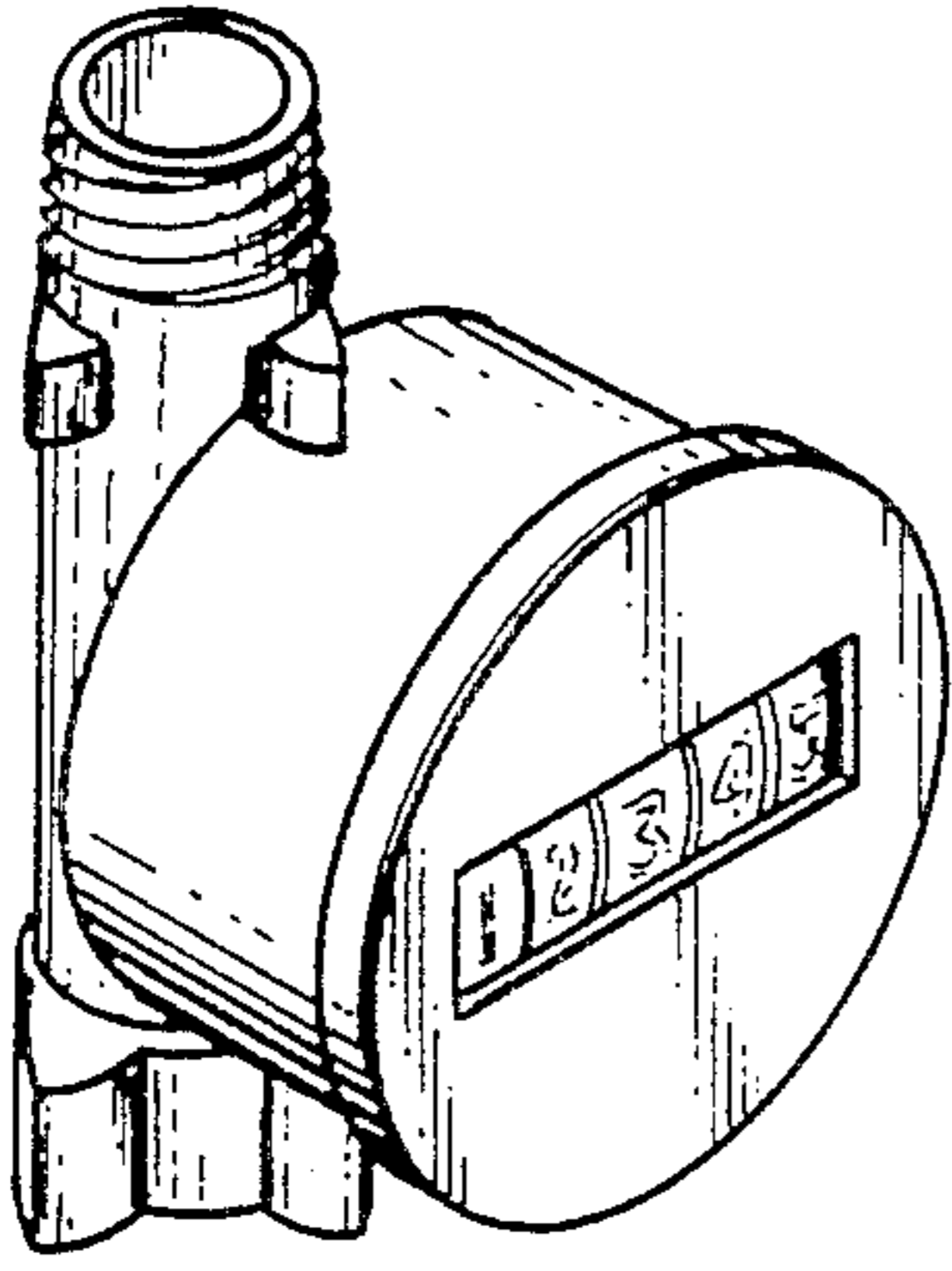


FIG. 1

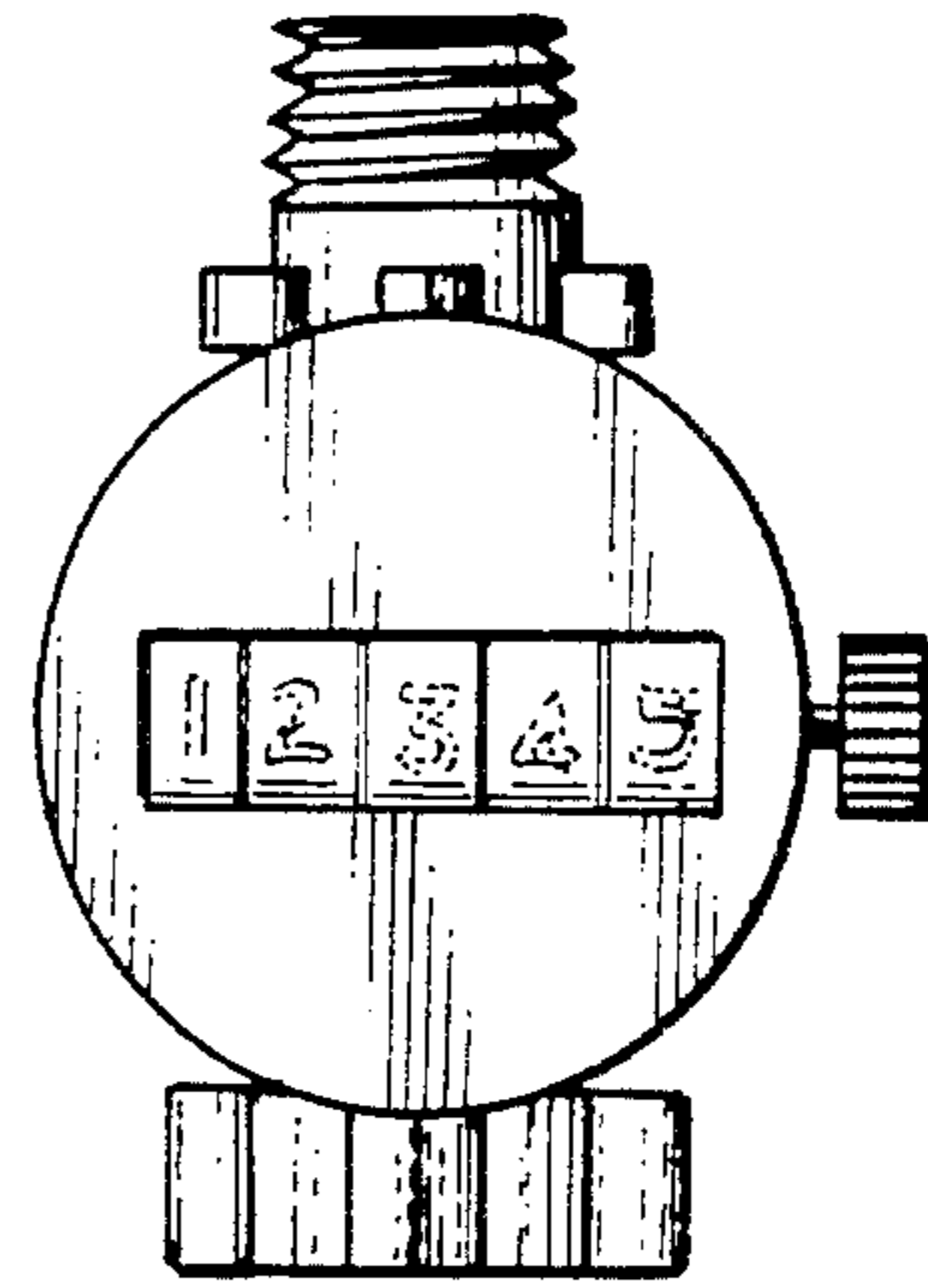


FIG. 2

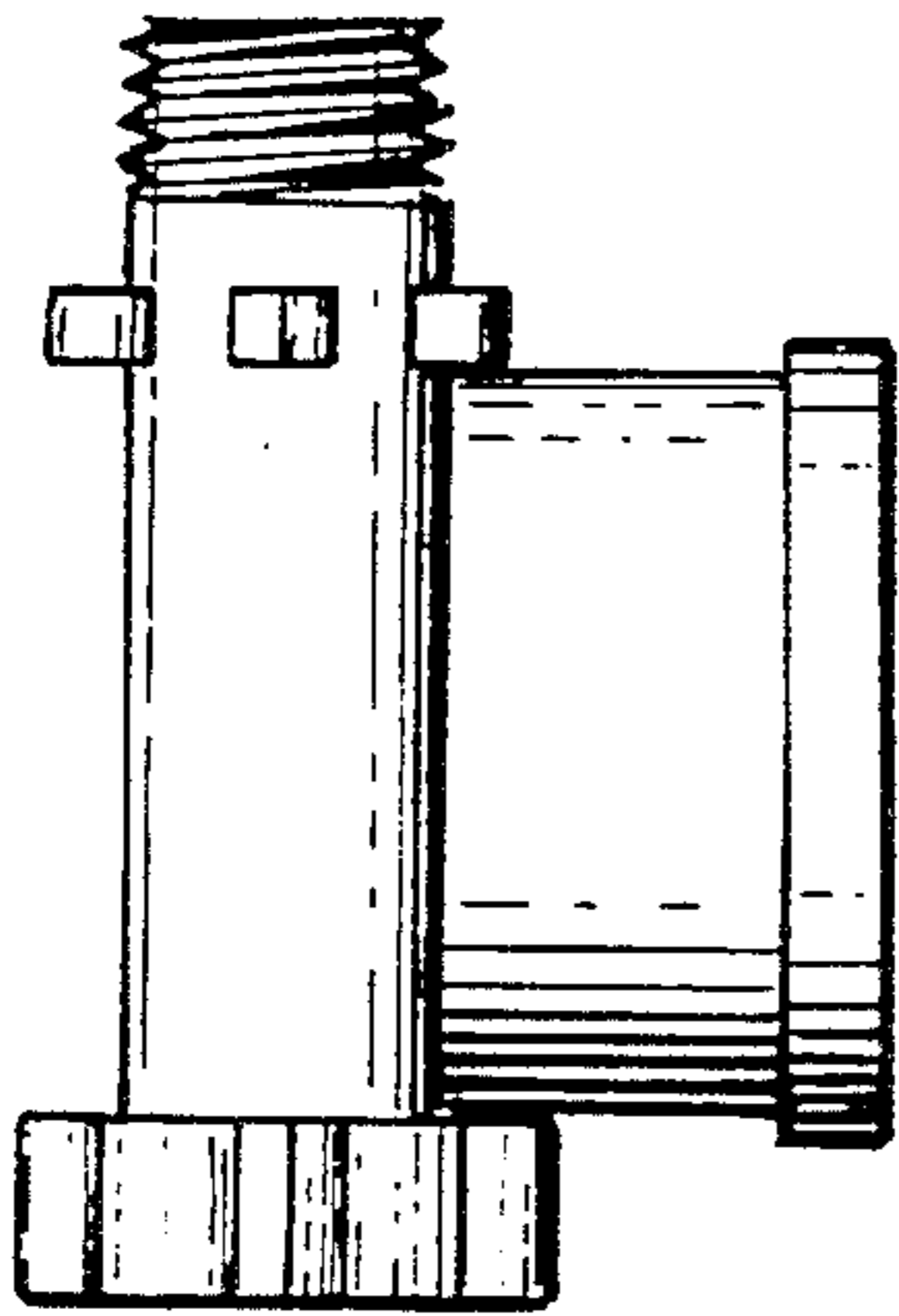


FIG. 4

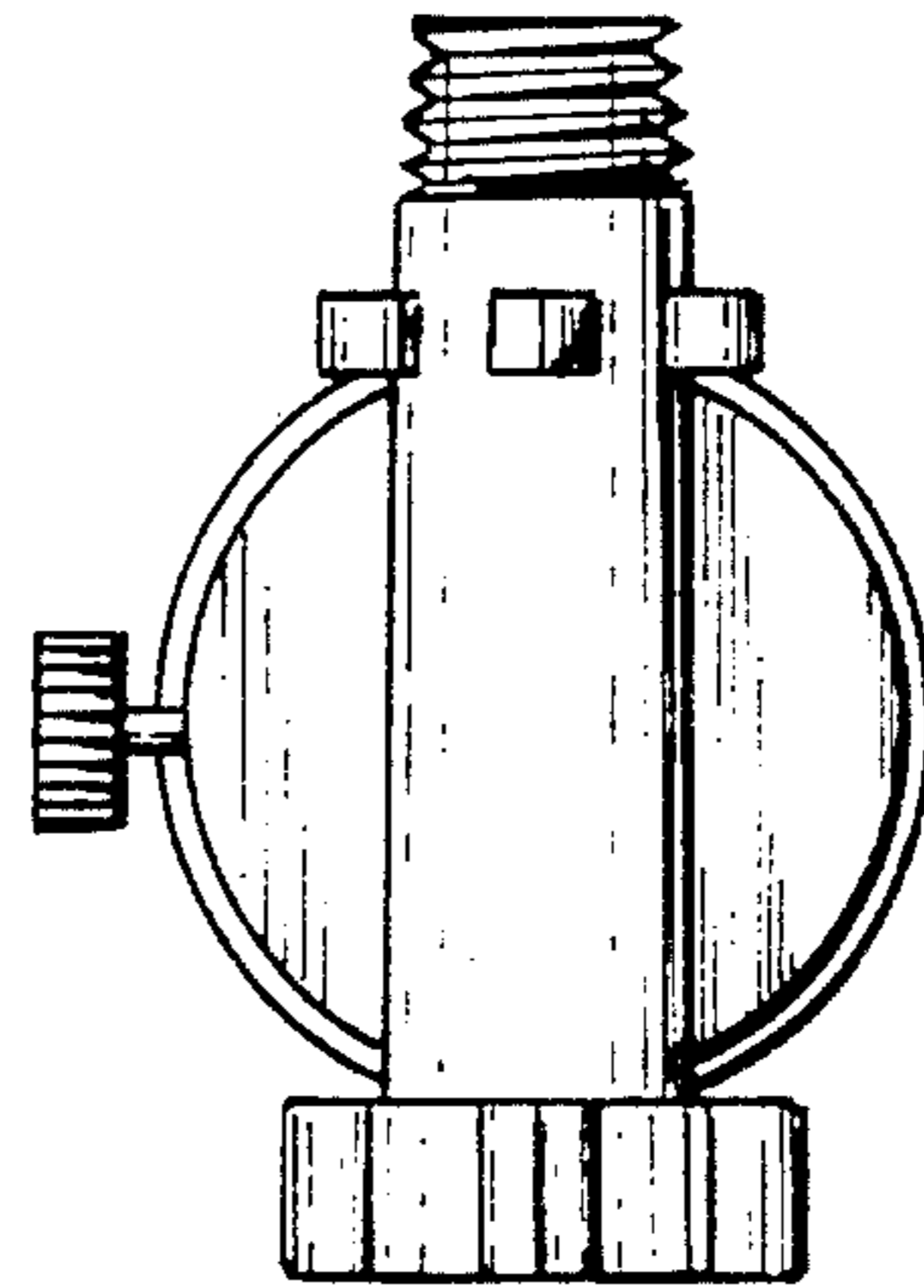


FIG. 3

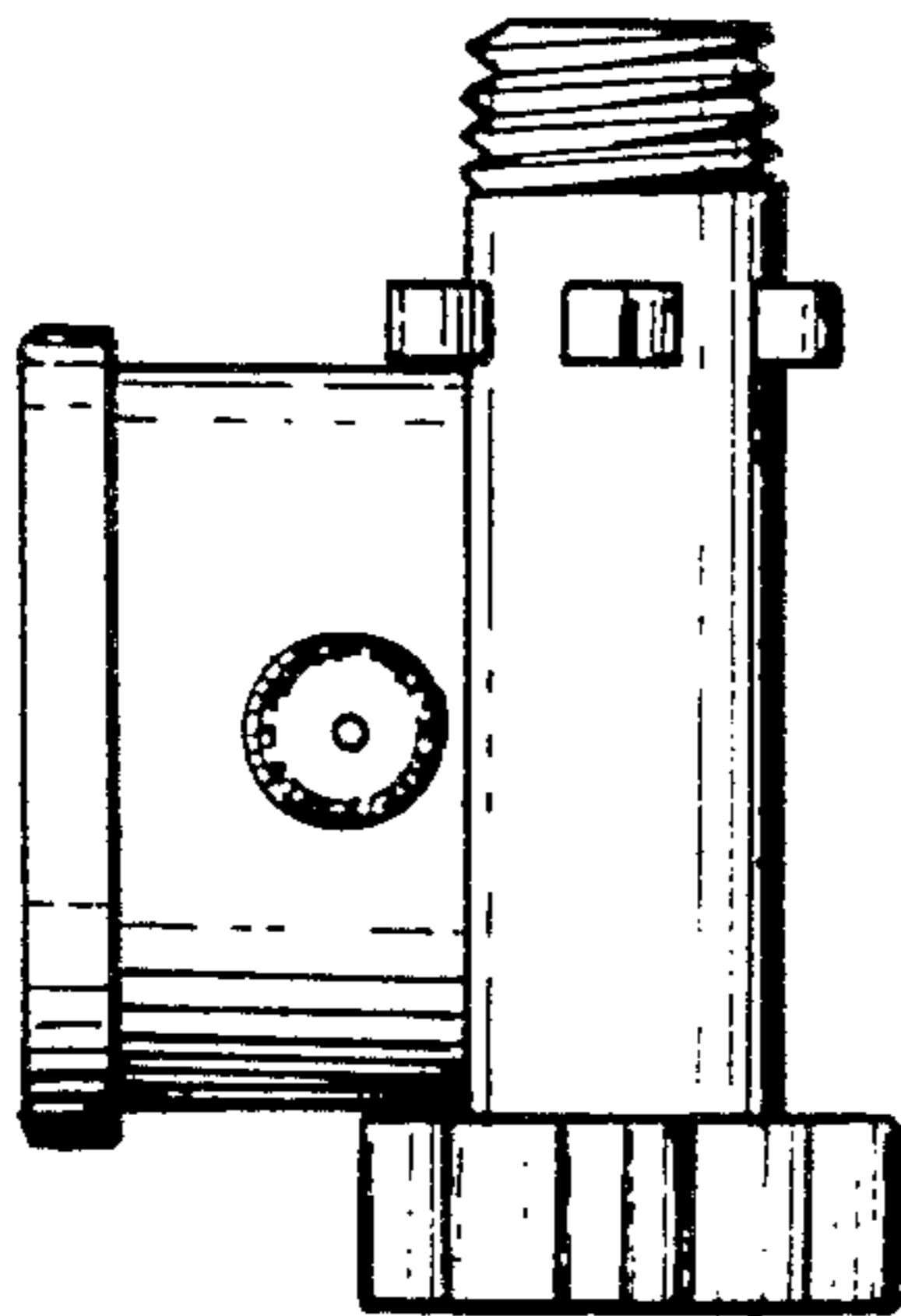


FIG. 5

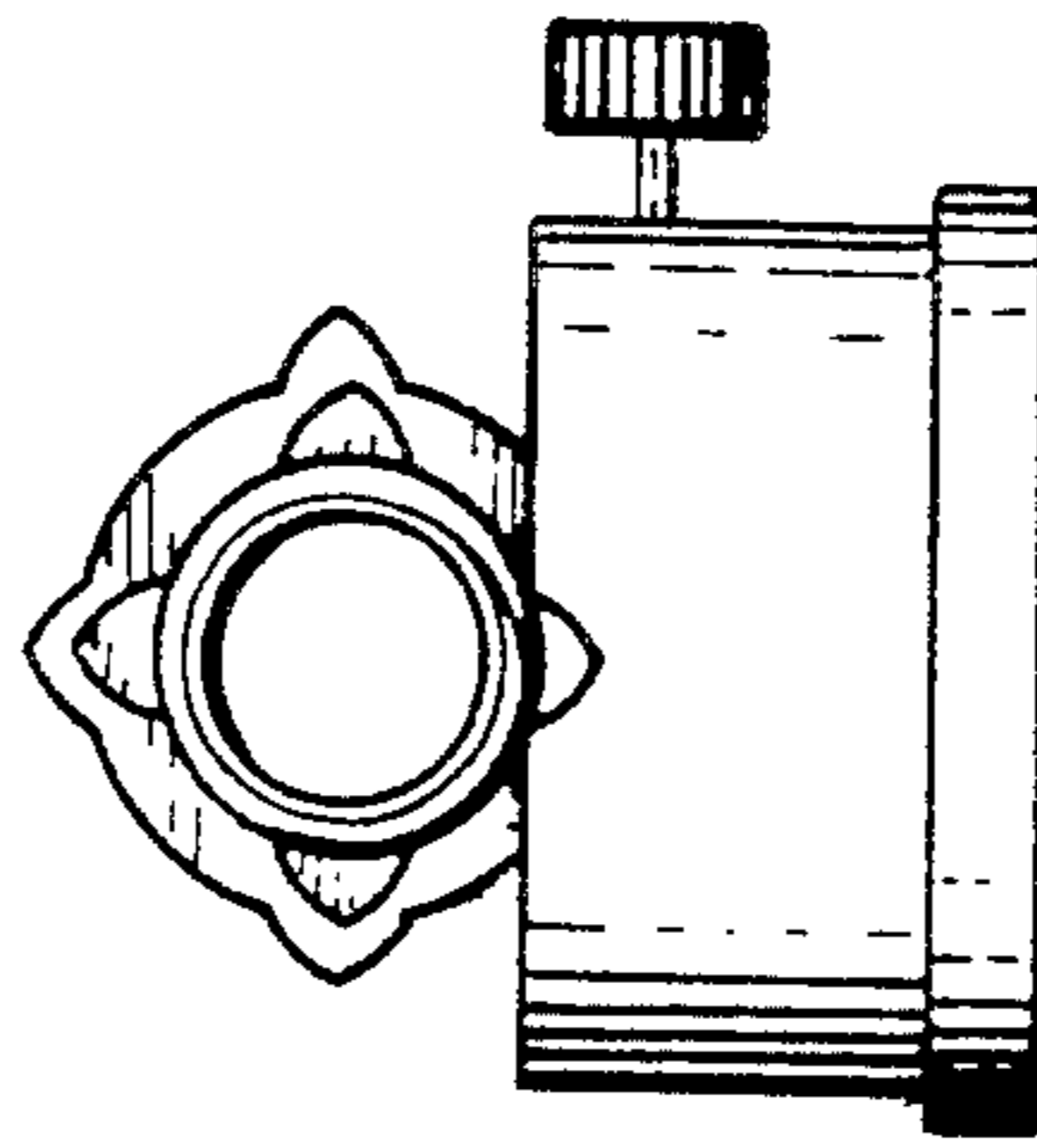


FIG. 6

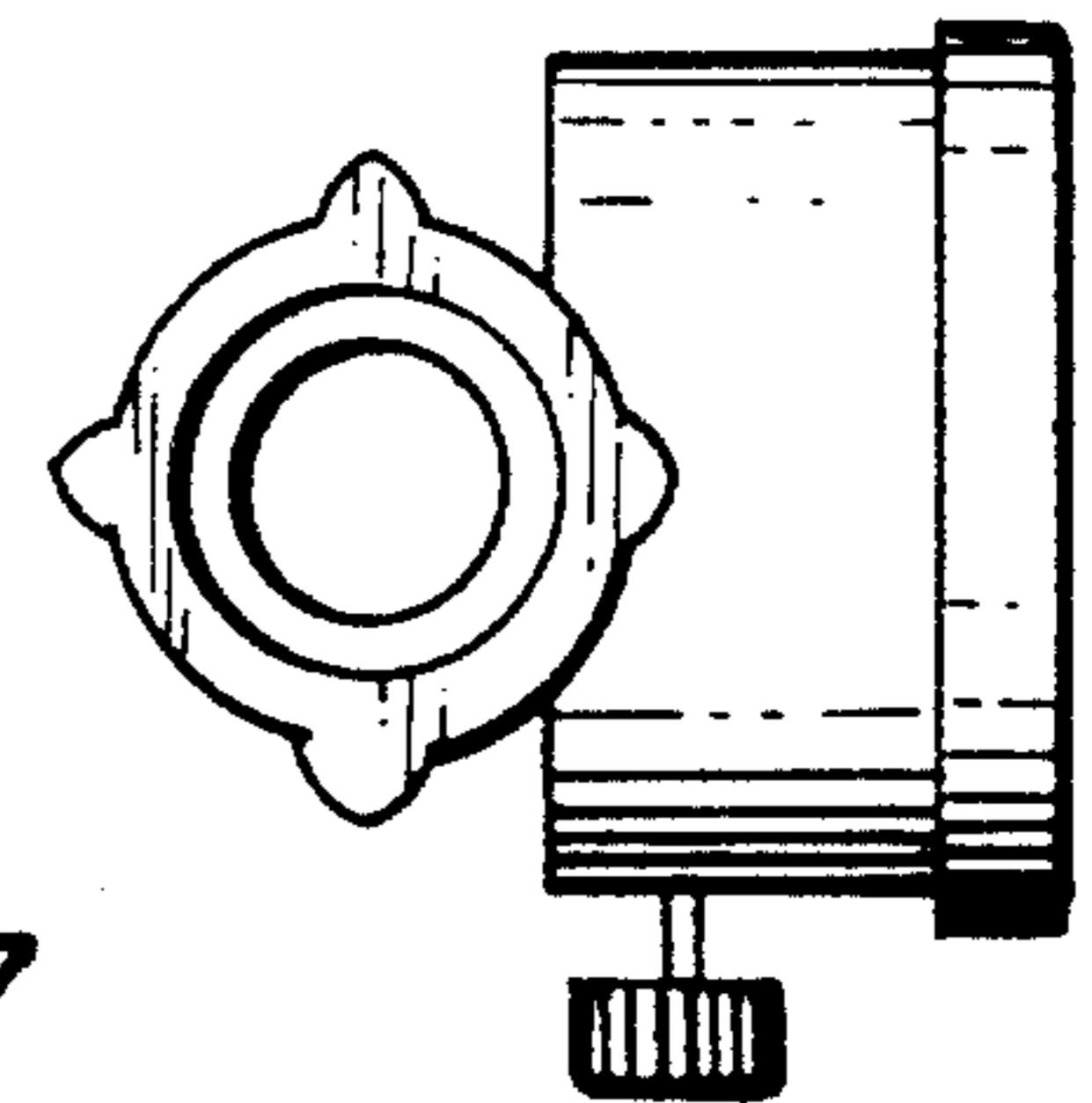


FIG. 7