

[54] COFFEE POT OR SIMILAR ARTICLE

3,114,484 12/1963 Serio 222/465 A
3,513,767 5/1970 Bloomfield et al. 99/282

[76] Inventor: Jean-Jacques Durand, LaButte,
62510, Arques, France

Primary Examiner—Bernard Ansher
Assistant Examiner—Terry Pfeffer
Attorney, Agent, or Firm—Kimmel, Crowell & Weaver

[**] Term: 14 Years

[21] Appl. No.: 553,782

[57] CLAIM

The ornamental design for a coffee pot or similar article, substantially as shown and described.

[22] Filed: Nov. 21, 1983

[52] U.S. Cl. D7/318

[58] Field of Search D7/316-318,
D7/310, 300; 99/295, 306, 282; 222/465 R, 465
A, 572

DESCRIPTION

FIG. 1 is a side elevational view of a coffee pot or similar article showing my new design, the reverse side being a mirror image thereof;

FIG. 2 is a sectional view thereof, taken along the lines 2-2 of FIG. 3;

FIG. 3 is a top plan view thereof;

FIG. 4 is a left side elevational view thereof;

FIG. 5 is a right side elevational view thereof;

FIG. 6 is a bottom plan view thereof.

[56] References Cited

U.S. PATENT DOCUMENTS

D. 245,058	7/1977	Hauenstein	D7/318
D. 268,319	3/1983	Donoski et al.	D7/318
2,835,188	5/1958	Graham	D7/317 X
2,993,629	7/1961	Ruhnke	D7/312 X

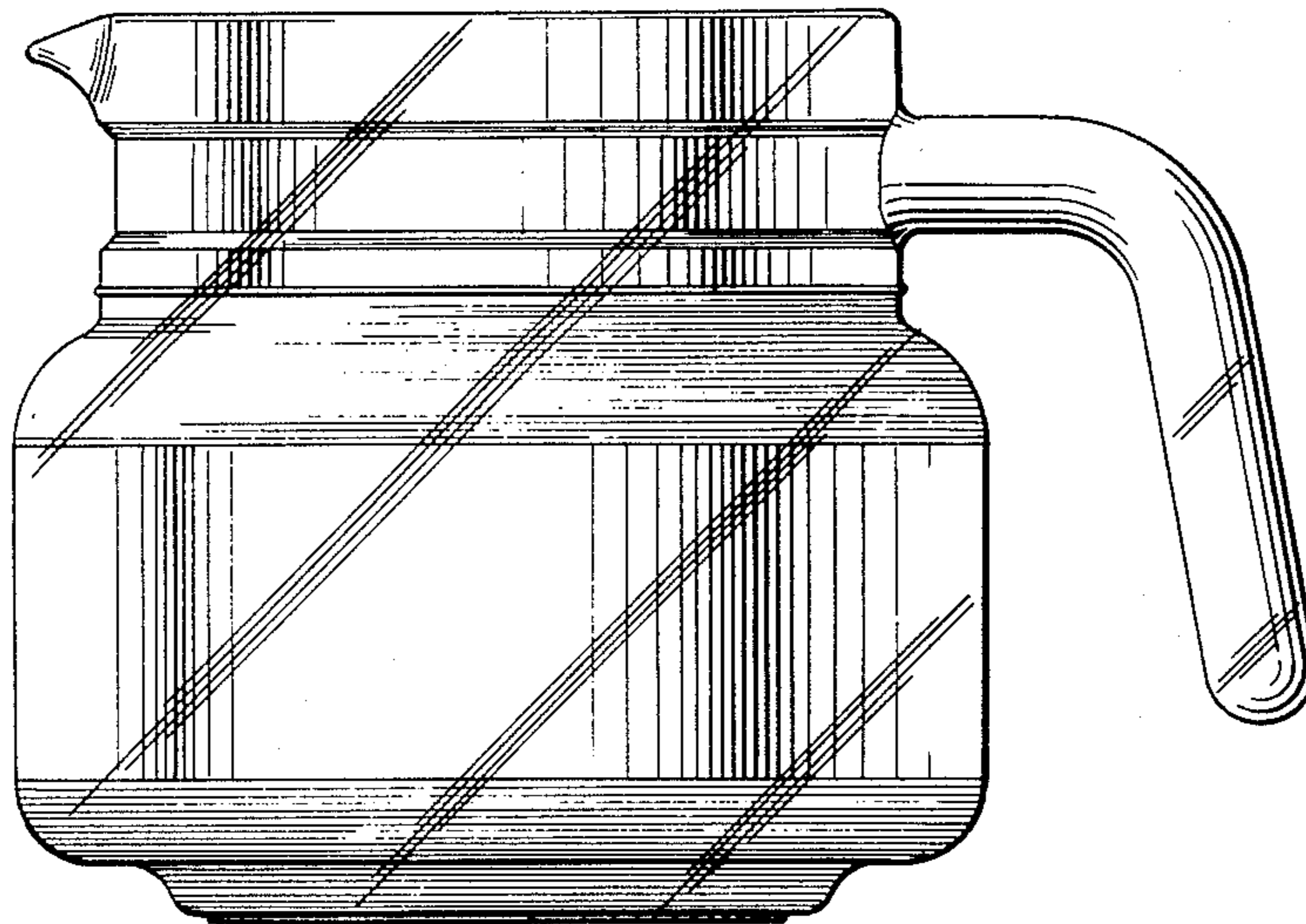


Fig. 1

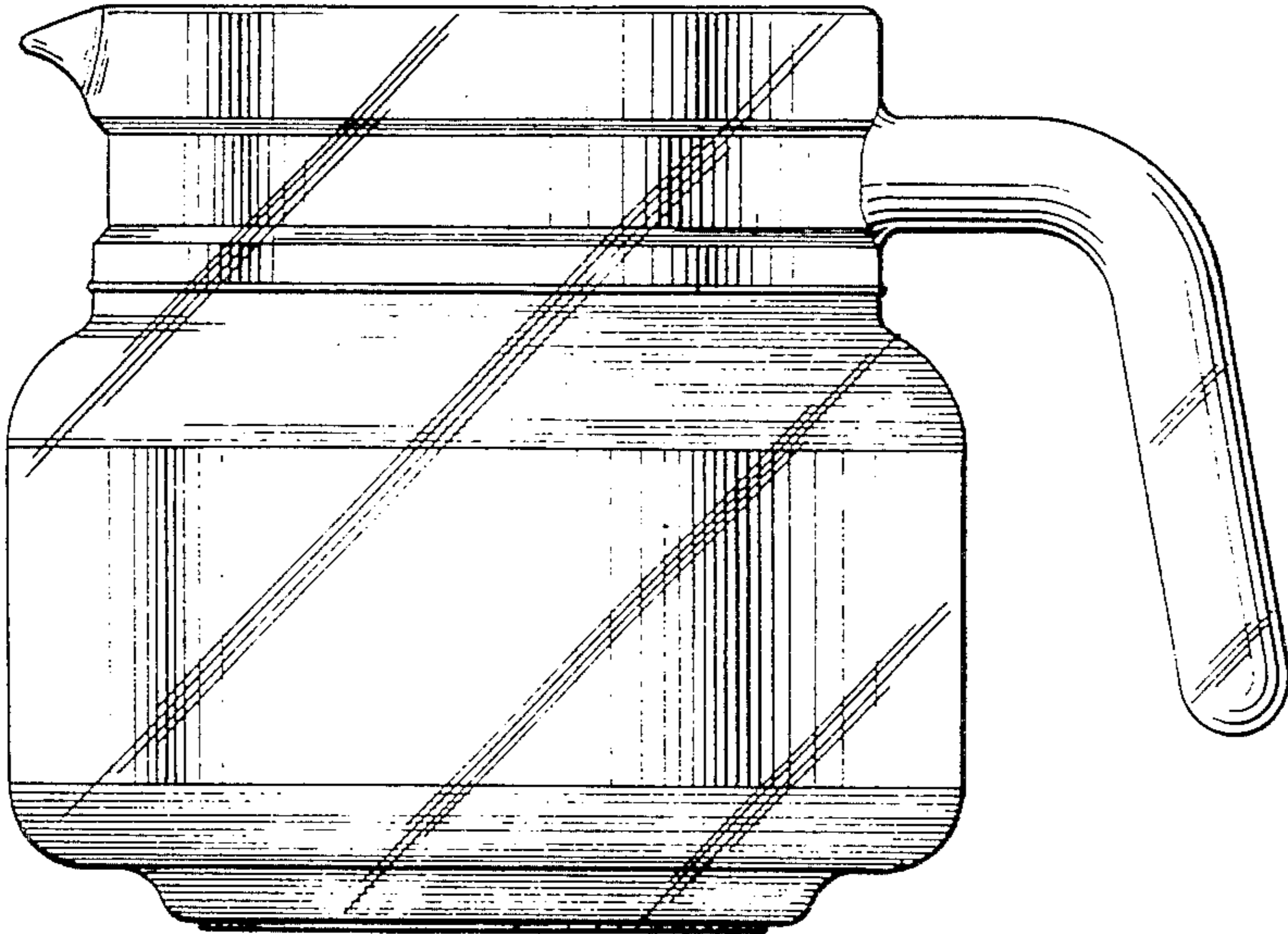


Fig. 2

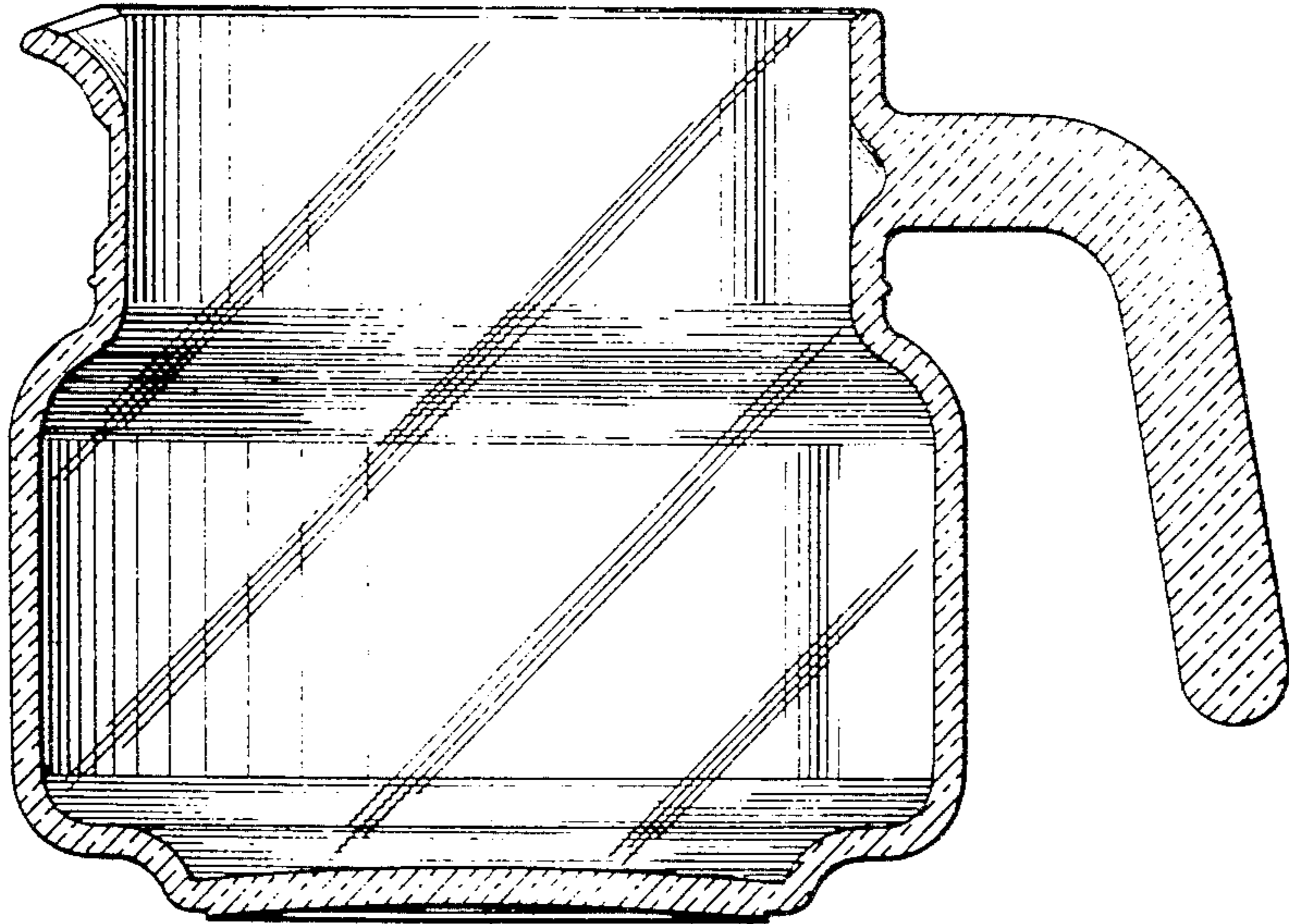


Fig. 3

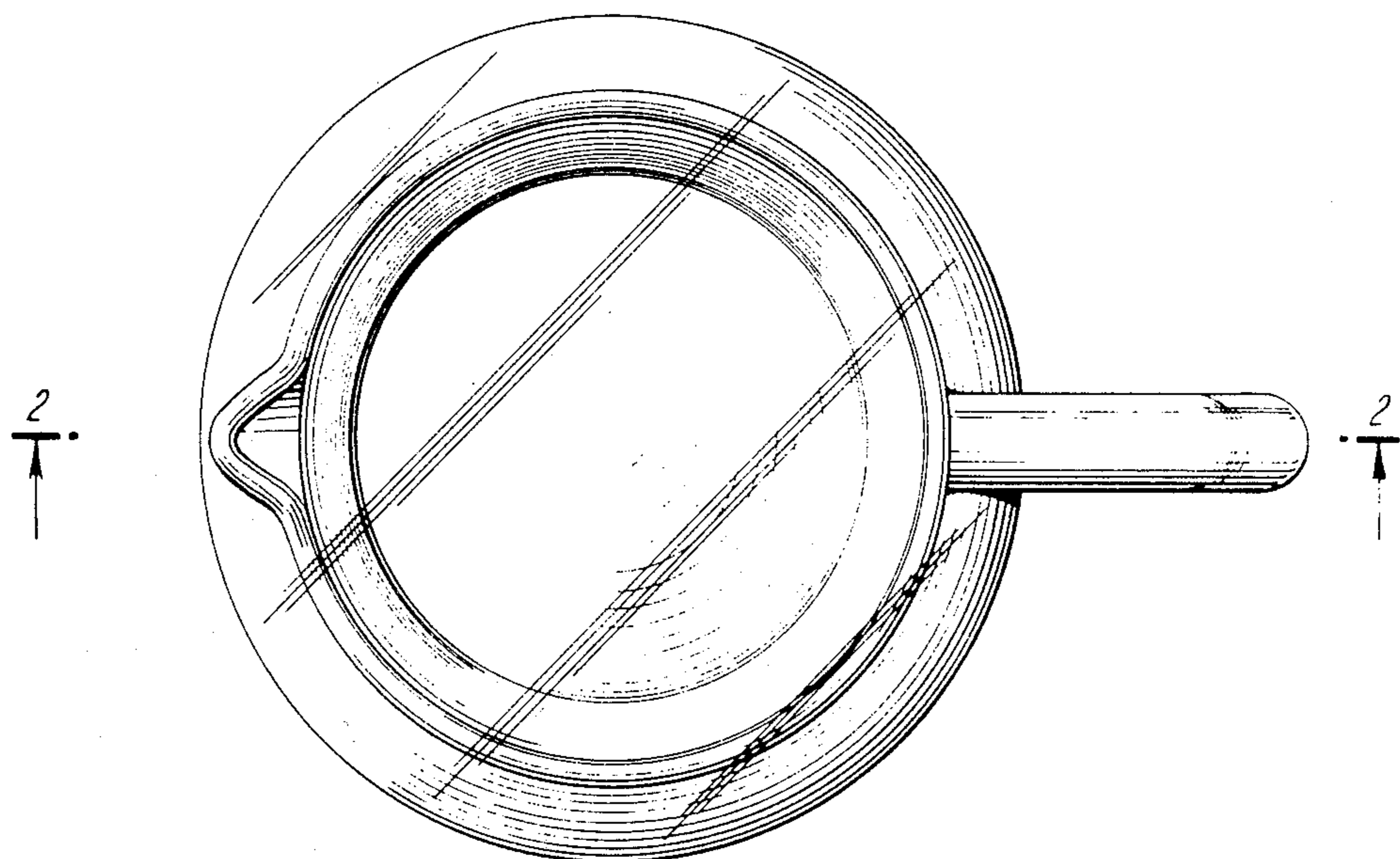


Fig. 4

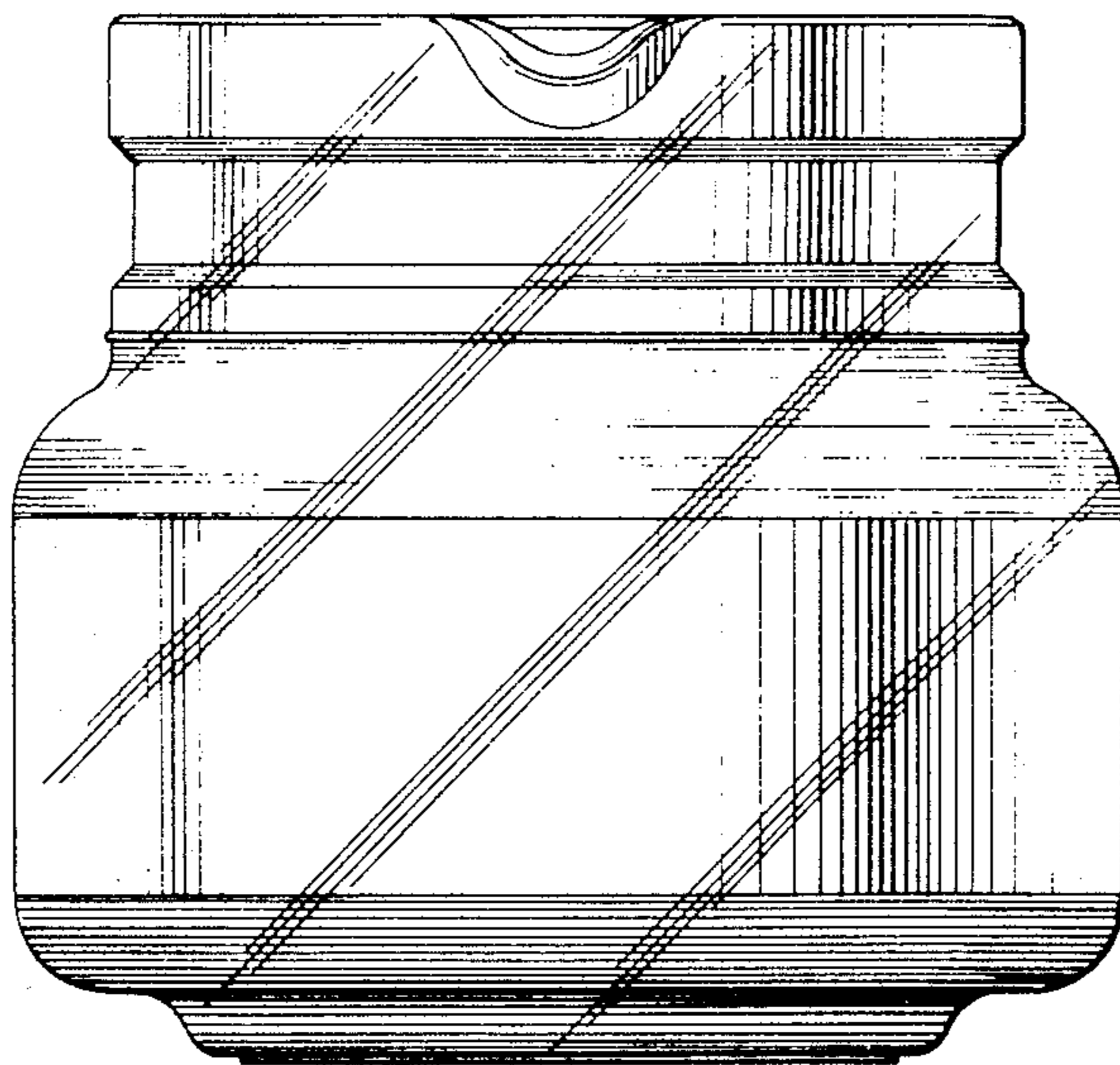


Fig. 5

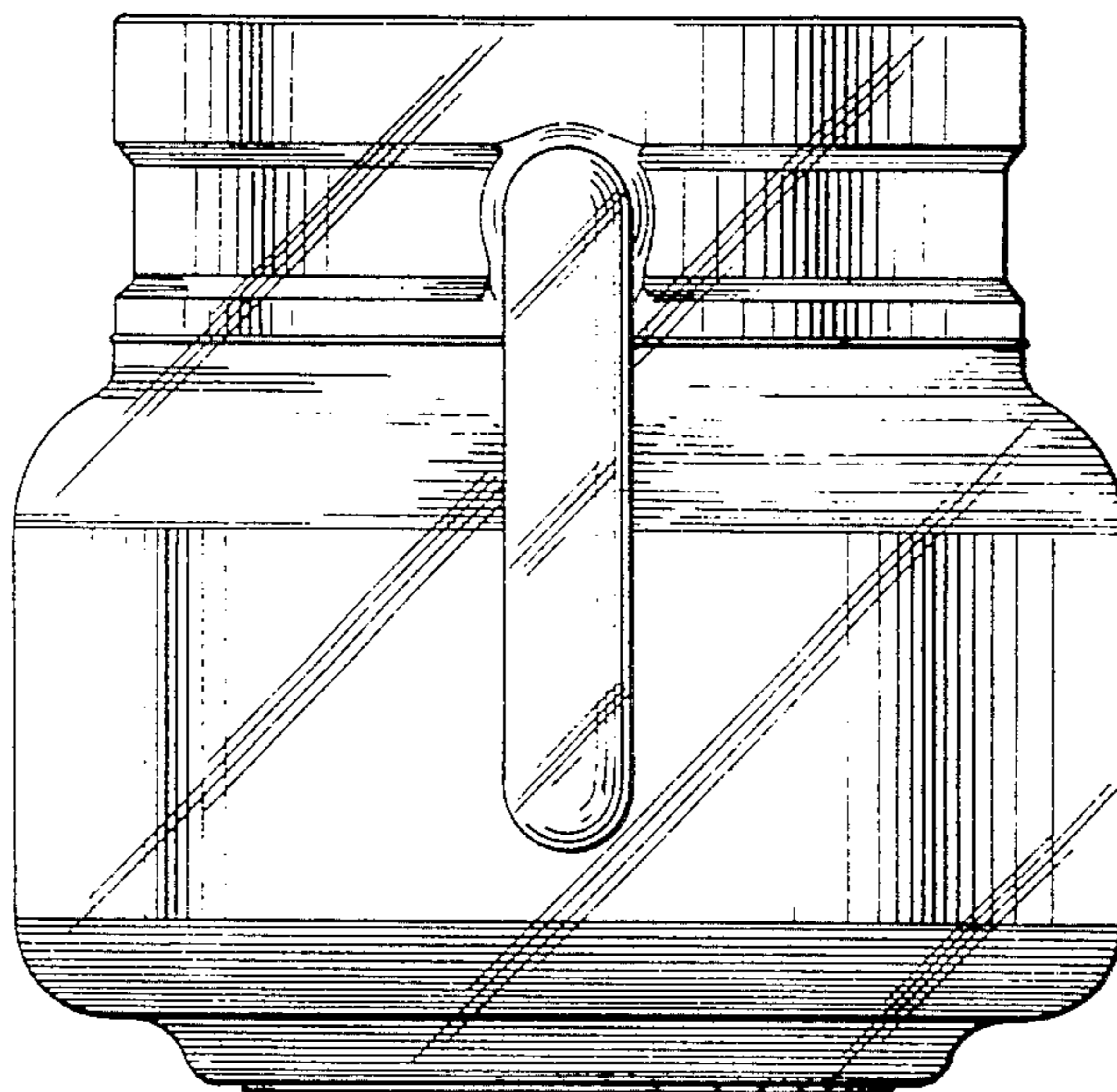


Fig. 6

