

[54] COVERED MIXING BOWL OR THE LIKE

[75] Inventor: Robert H. C. M. Daenen, Hekelgem, Belgium

[73] Assignee: Dart Industries Inc., Northbrook, Ill.

[\*] Notice: The portion of the term of this patent subsequent to Mar. 18, 2000 has been disclaimed.

[\*\*] Term: 14 Years

[21] Appl. No.: 485,680

[22] Filed: Apr. 18, 1983

[52] U.S. Cl. .... D7/317; D7/319

[58] Field of Search ..... D7/316-319, D7/321, 322, 300, 302, 312, 50, 391, 392, 17, 412, 76; D9/443, 449

[56] References Cited

U.S. PATENT DOCUMENTS

D. 163,849	7/1951	Burroughs	.....	D7/319
D. 194,622	2/1963	Swett	.....	D7/317
D. 215,749	10/1969	Adler	.....	D7/317
D. 253,935	1/1980	Daenen	.....	D9/454
D. 262,682	1/1982	Morin	.....	D7/318
D. 272,225	1/1984	De Coster	.....	D7/319

3,307,602 3/1967 Boster ..... D7/17 X

OTHER PUBLICATIONS

*Lustro-Ware*, Spring 1958 Cat., Cat. No. 550 G, p. 7, Item #L-10S, Measure Mix Cups-left col., 3rd down. *Better Homes & Gardens*, Sep. 1977, p. 19, top left Stacking Pitchers/covers included, Rubbermaid ®.

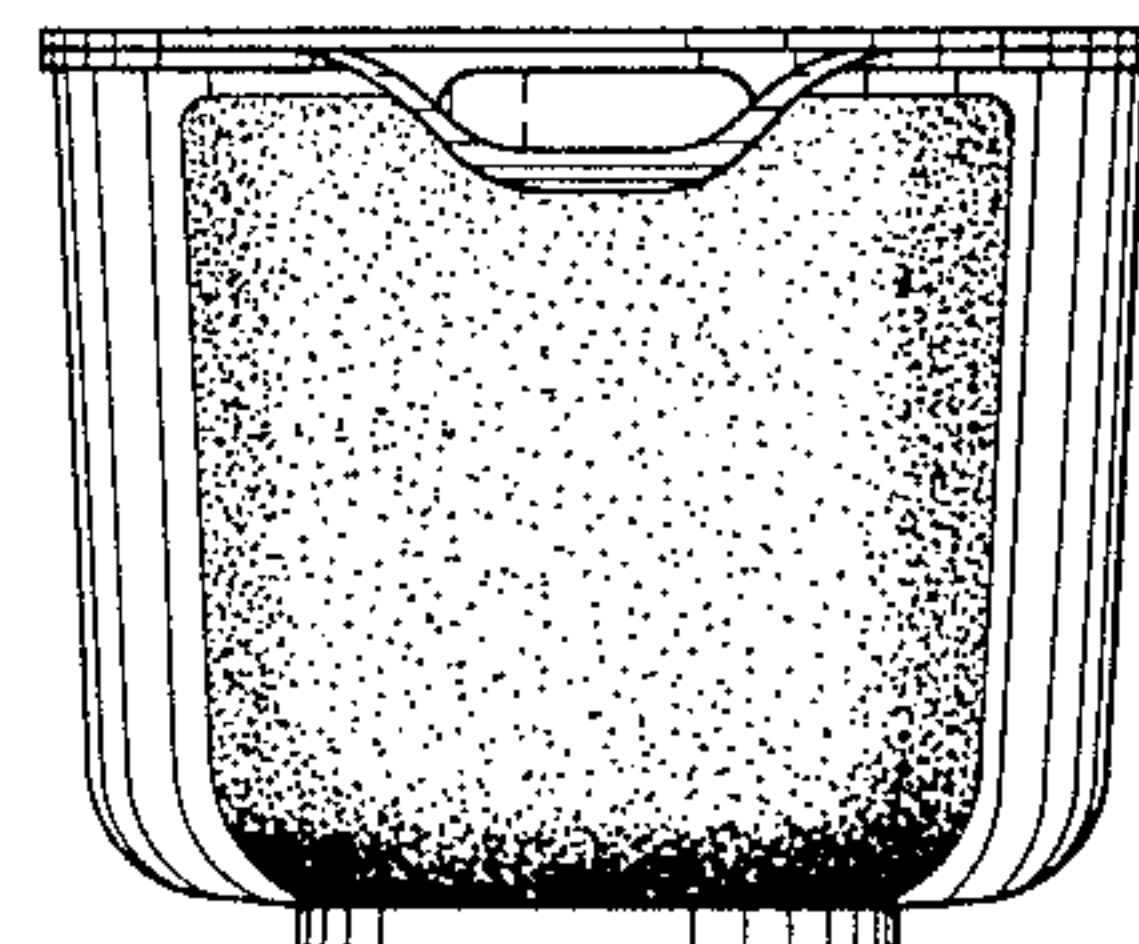
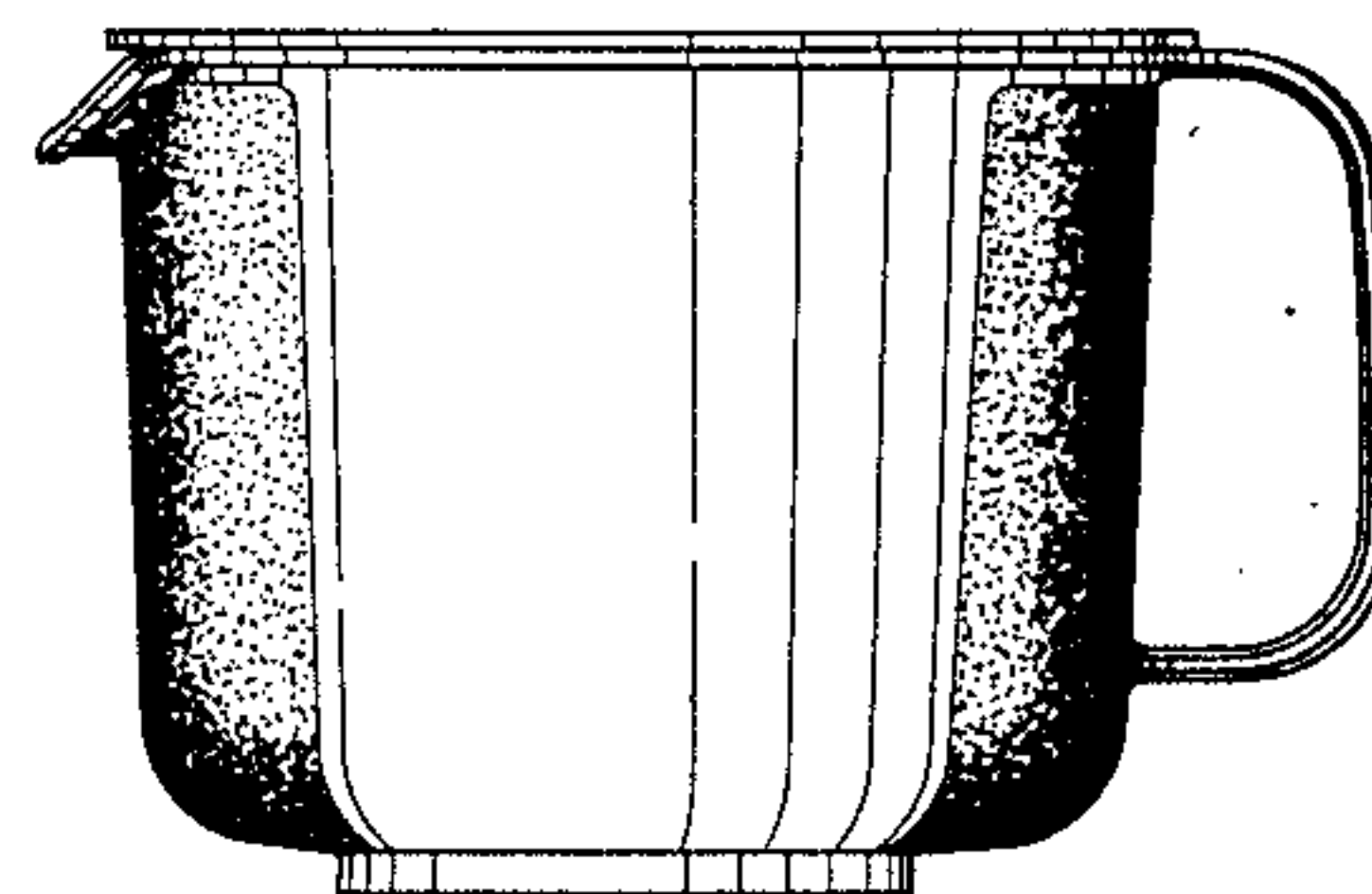
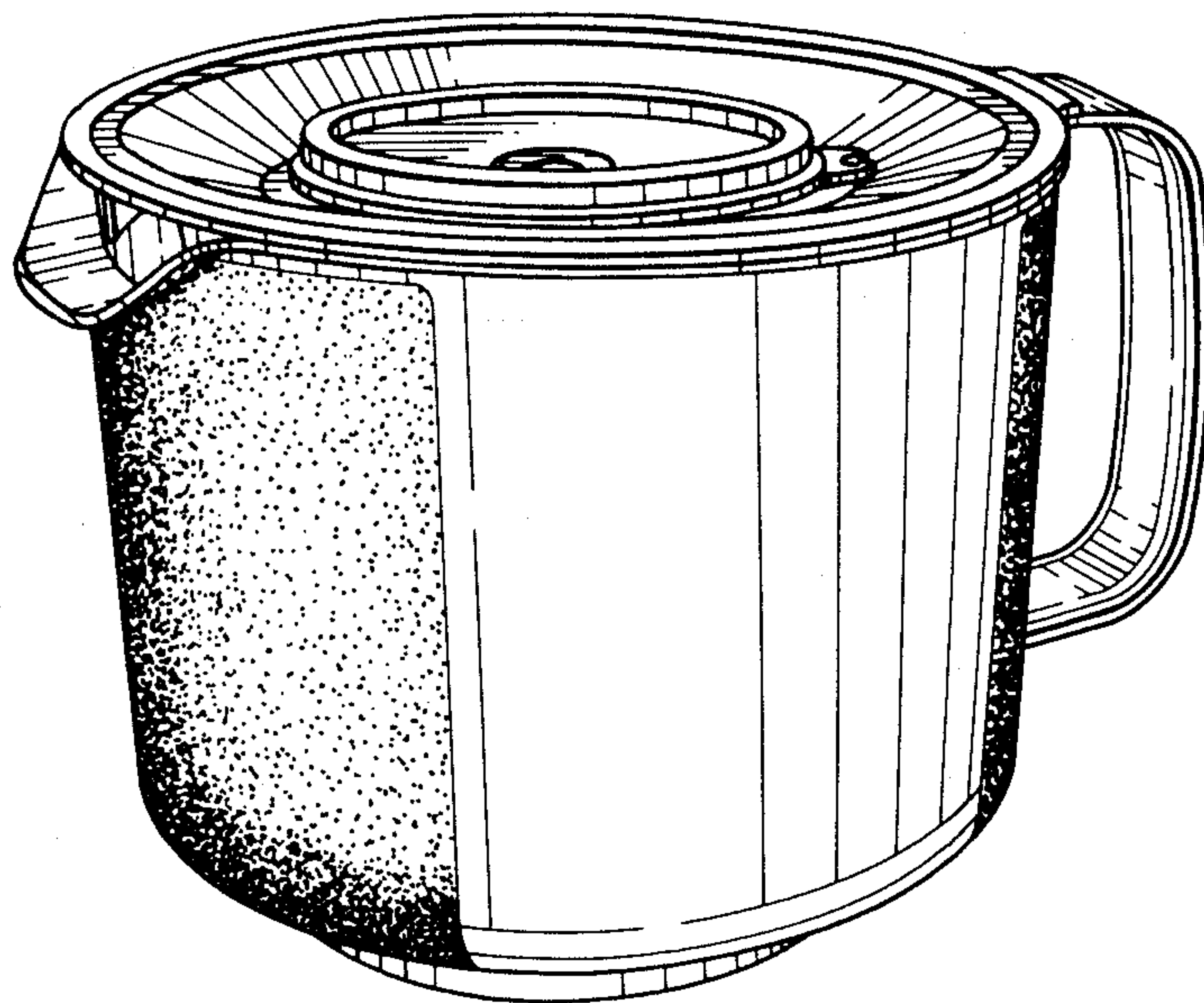
Primary Examiner—Winifred E. Herrmann  
Attorney, Agent, or Firm—A. Lewis Worthem, Jr.; John A. Doninger

[57] CLAIM

The ornamental design for a covered mixing bowl or the like, as shown and described.

DESCRIPTION

FIG. 1 is a top perspective view of the covered mixing bowl or the like showing my new design; FIG. 2 is a top plan view thereof; FIG. 3 is a side elevational view thereof; FIG. 4 is a front elevational view thereof; FIG. 5 is an end elevational view thereof; FIG. 6 is a bottom plan view thereof; and FIG. 7 is an exploded top perspective view thereof. The bottom interior of the mixing bowl and the underside of the cover are conventional in appearance.



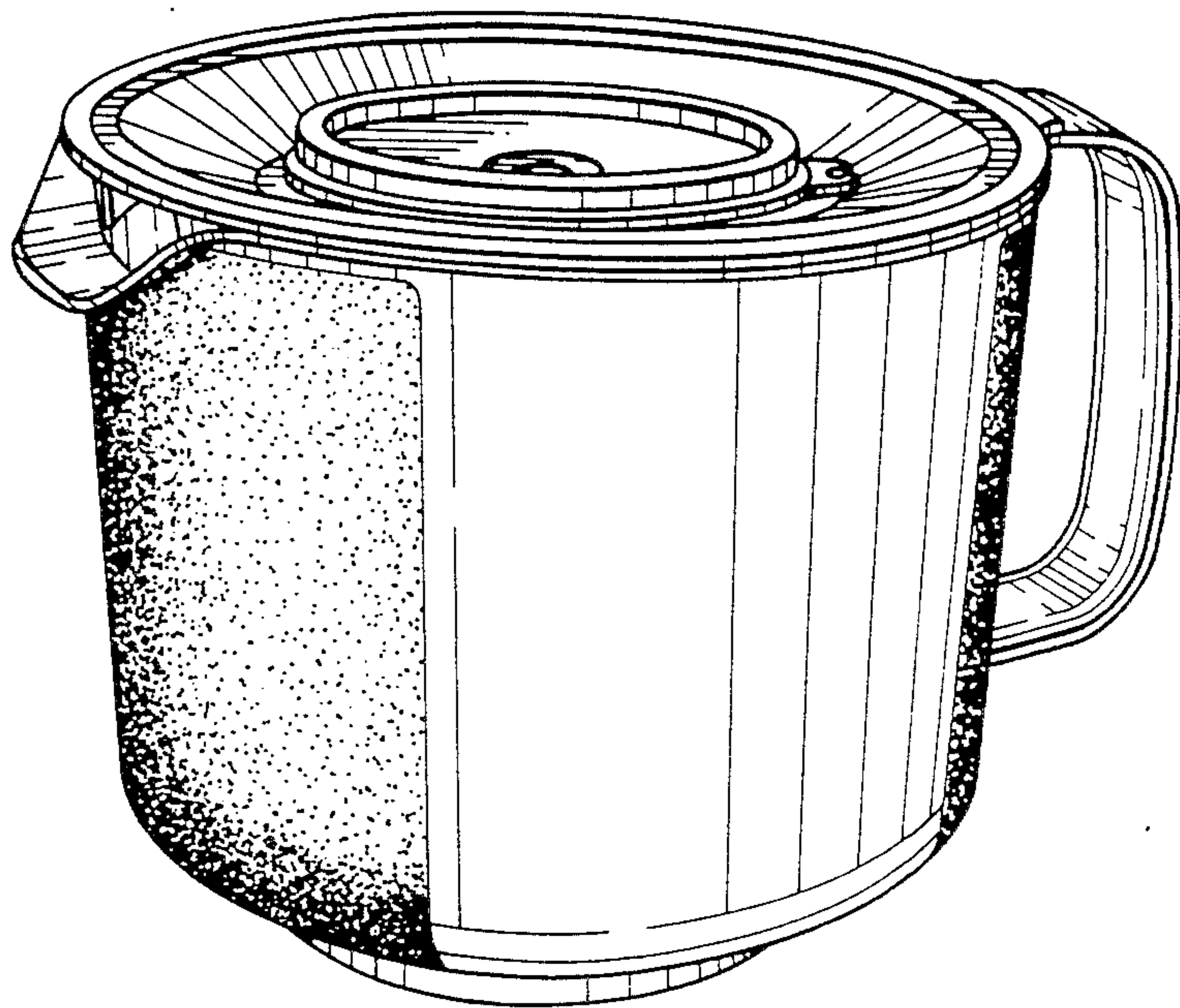


FIG. 1

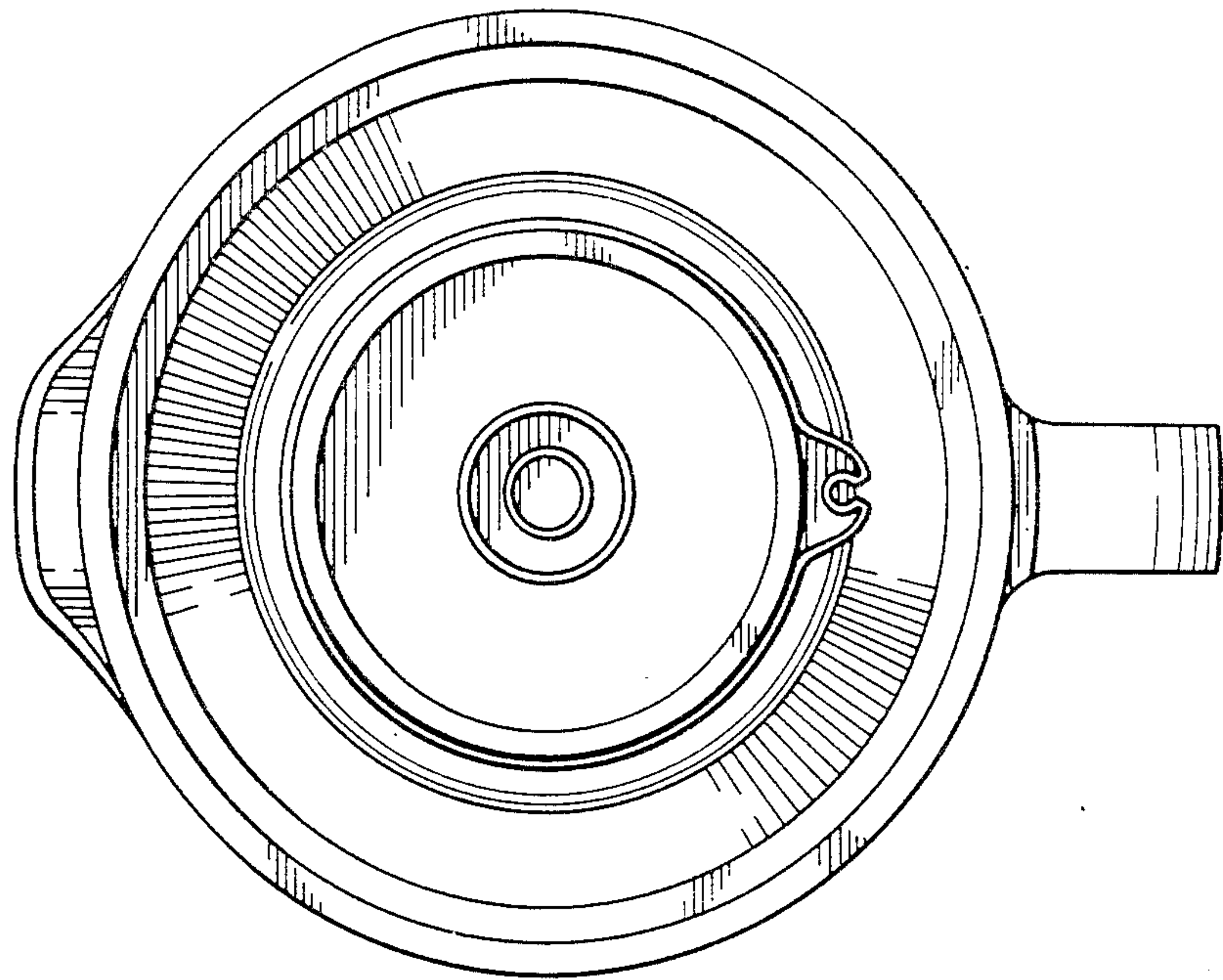


FIG. 2



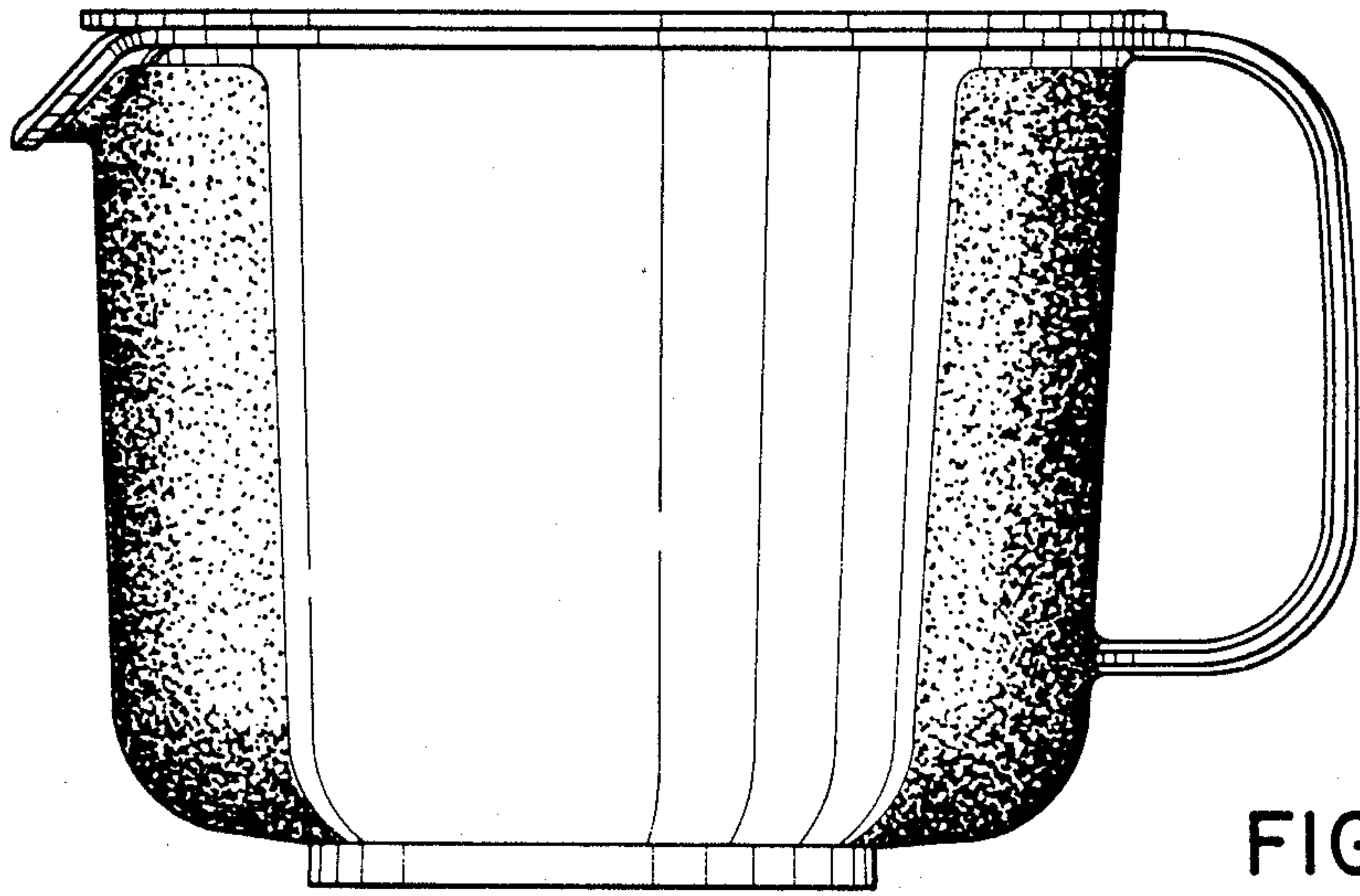


FIG. 3

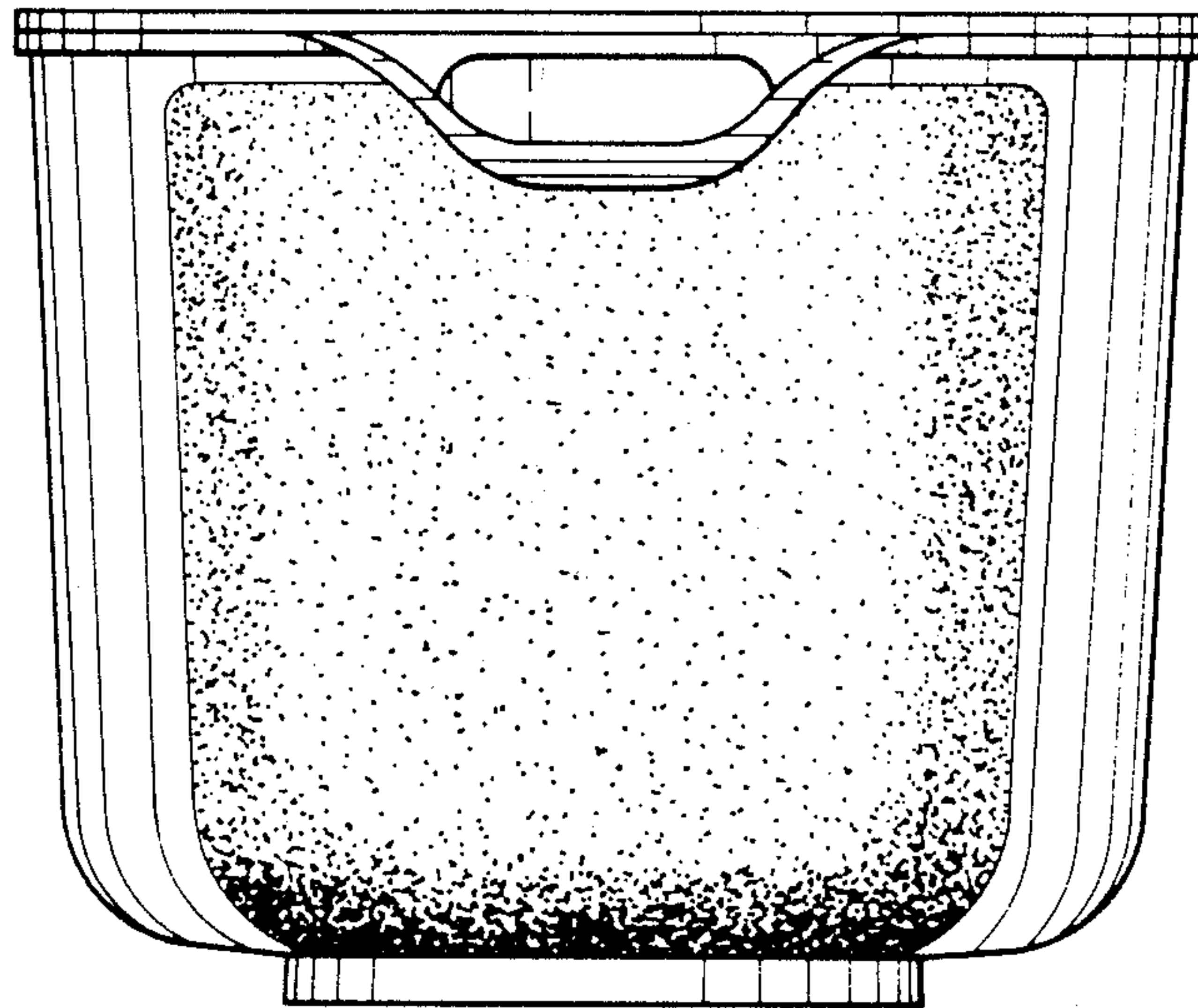


FIG. 4

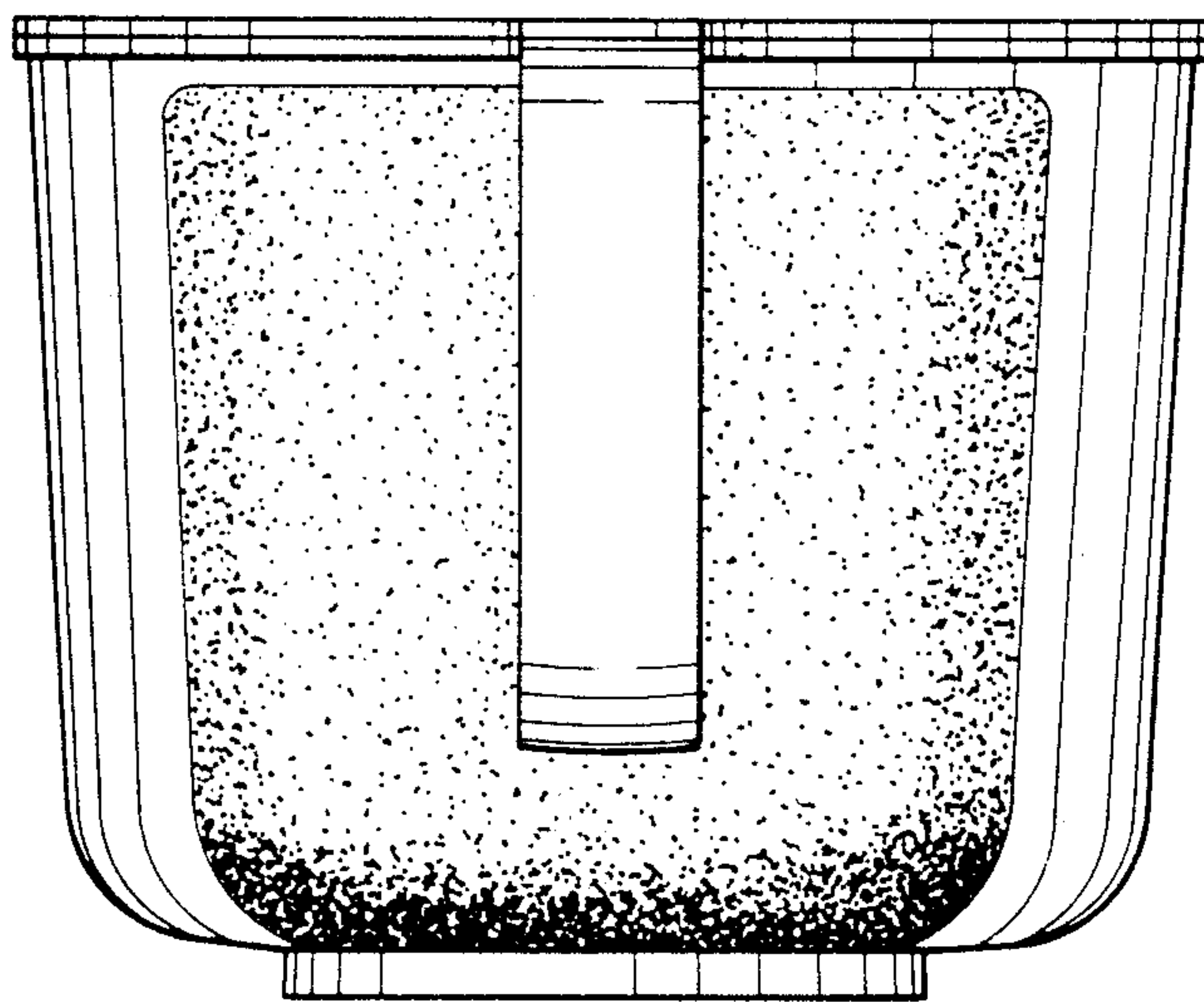


FIG. 5

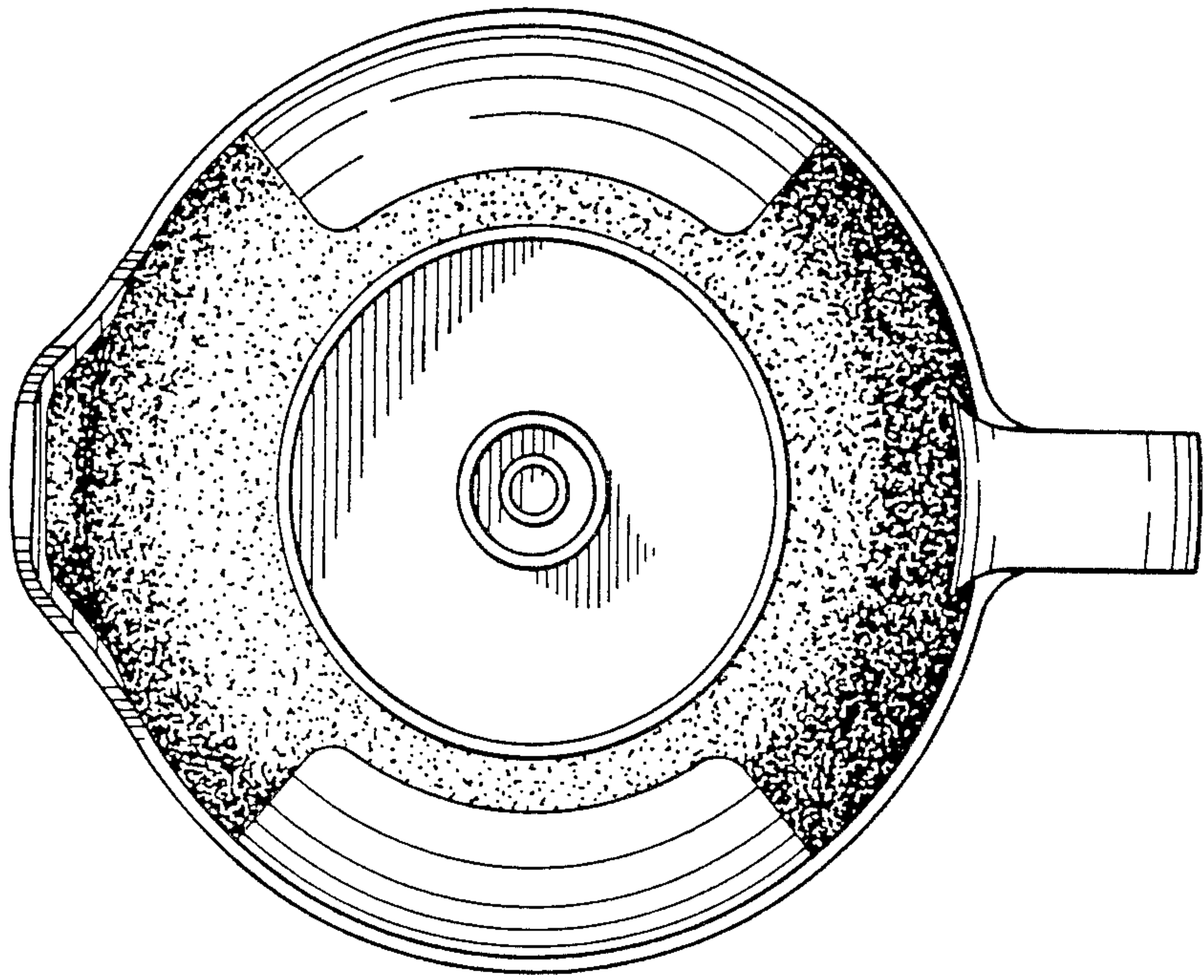


FIG. 6

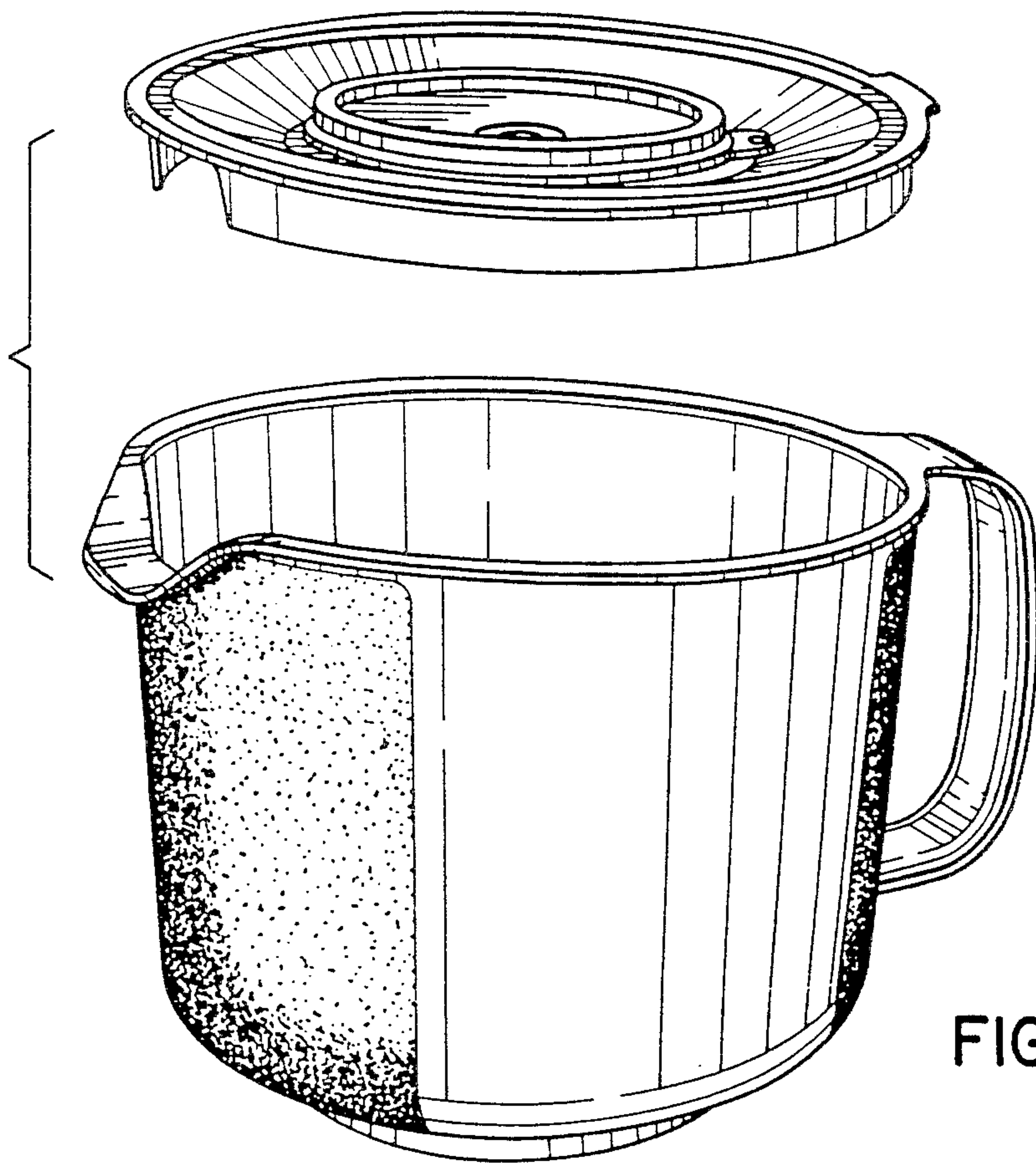


FIG. 7