

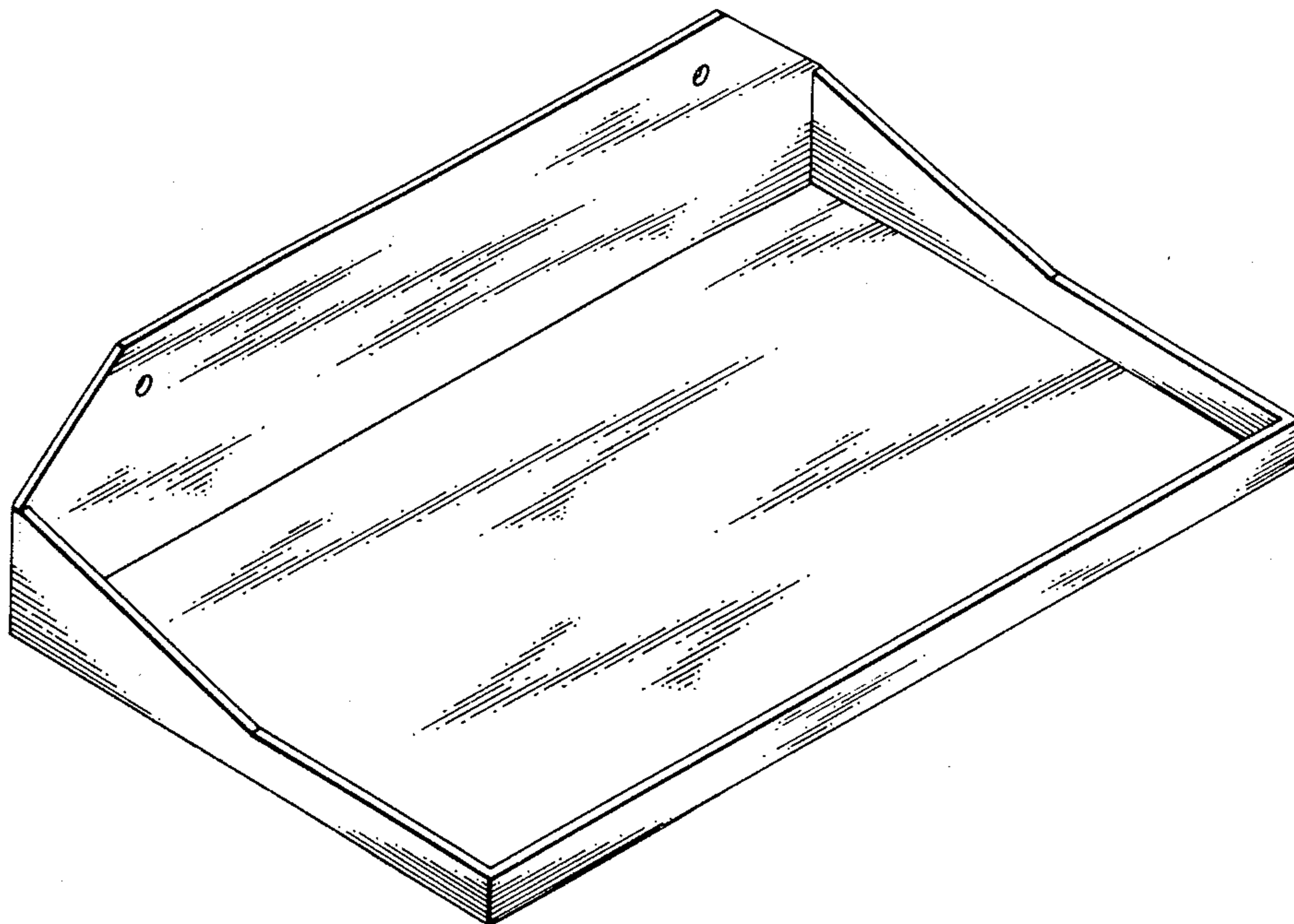
[54] **PAPER BAG SUPPORT**
[76] Inventor: **William D. Hampton**, 110 B Estates Dr., Roseville, Calif. 95678
[**] Term: **14 Years**
[21] Appl. No.: **764,371**
[22] Filed: **Aug. 12, 1985**
[52] U.S. Cl. **D6/574; D6/567; D34/6**
[58] Field of Search **D6/574, 567, 553; 108/152; D211/87, 88, 90, 134, 135; D34/5, 6; 248/146**

[56] **References Cited**
U.S. PATENT DOCUMENTS
D. 185,897 8/1959 Stark D6/574
D. 233,402 10/1974 Kane D34/6
D. 267,843 2/1983 Sundberg D6/574
D. 274,569 7/1984 Muraoka D34/6

D. 280,583 9/1985 Evensen D6/574
Primary Examiner—B. J. Bullock
Assistant Examiner—Suzanne N. Gitlin
Attorney, Agent, or Firm—Lothrop & West

[57] **CLAIM**
The ornamental design for a paper bag support, as shown and described.

DESCRIPTION
FIG. 1 is a front perspective view of a paper bag support, showing my new design;
FIG. 2 is a top plan view thereof;
FIG. 3 is a front elevational view thereof;
FIG. 4 is a bottom plan view thereof;
FIG. 5 is a rear elevational view thereof; and,
FIG. 6 is an end elevational view taken from the left of FIG. 1, the right end being a mirror image.
The broken line disclosure of a paper bag in FIG. 6 is for illustrative purposes only.



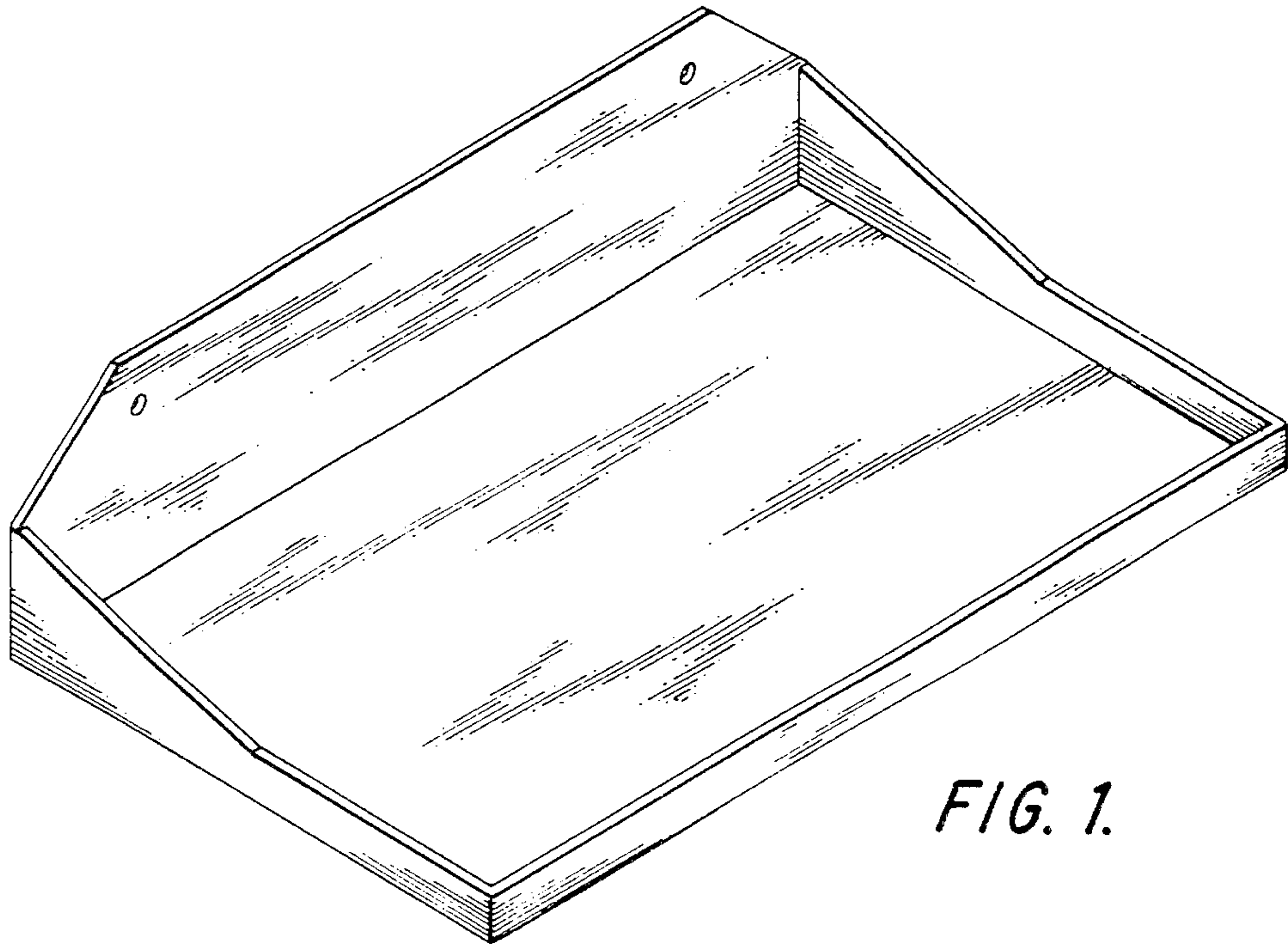


FIG. 1.

FIG. 2.

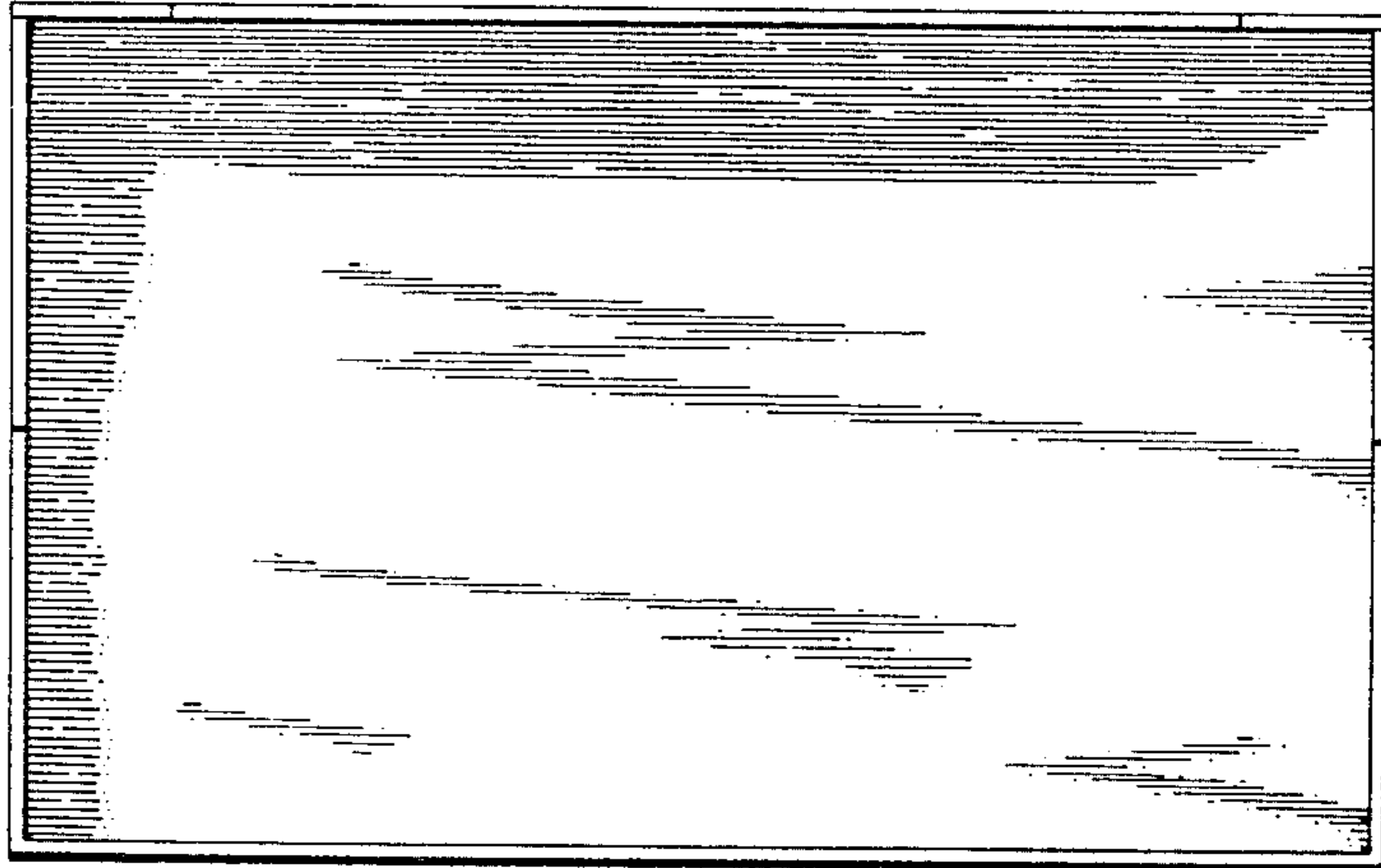


FIG. 3.

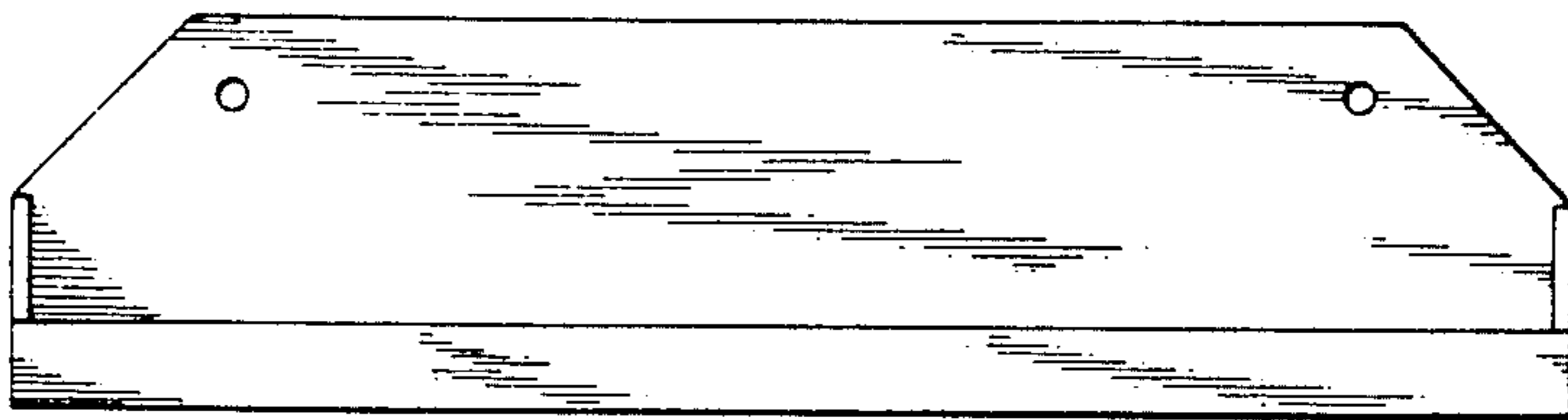


FIG. 4.

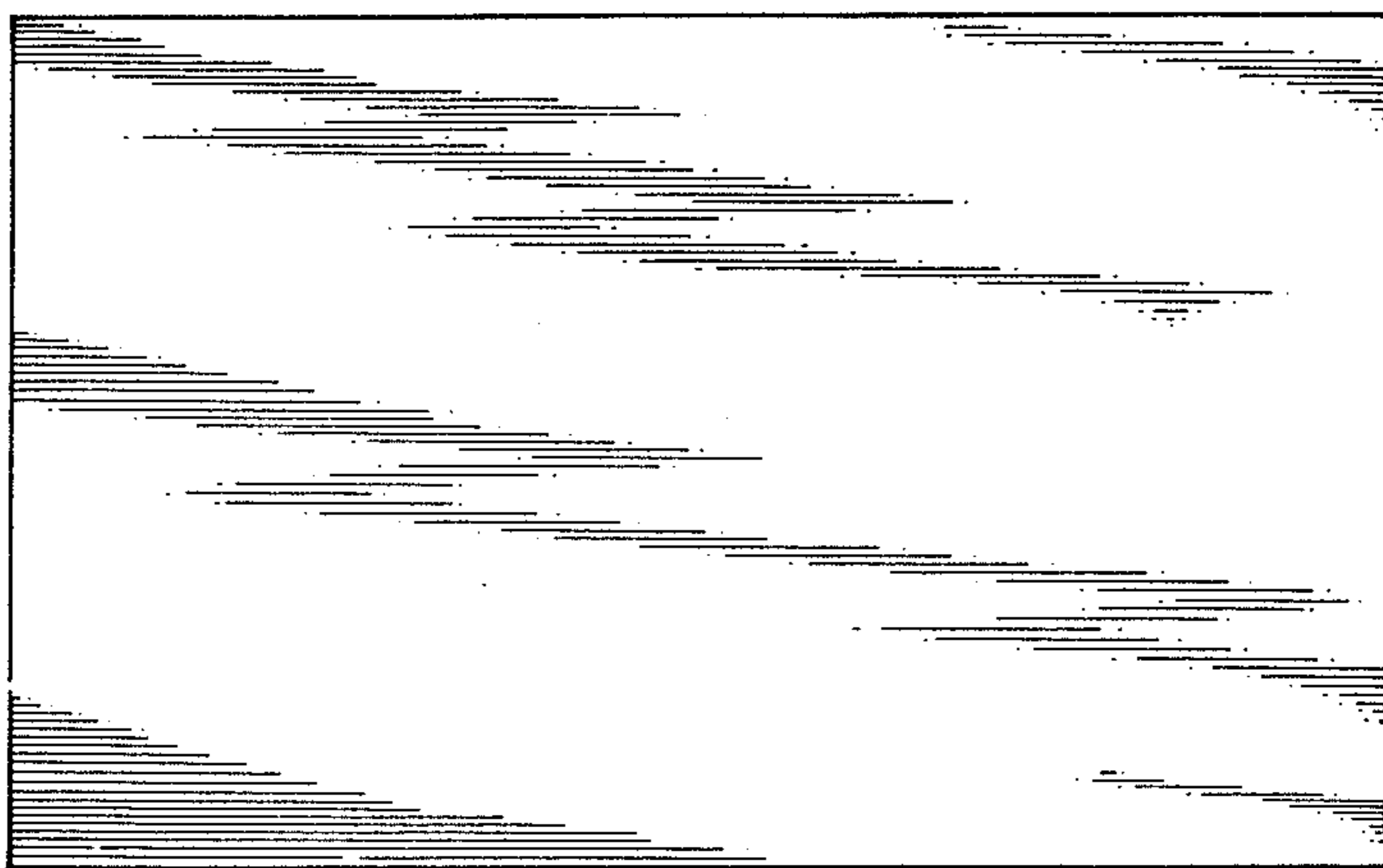


FIG. 5.

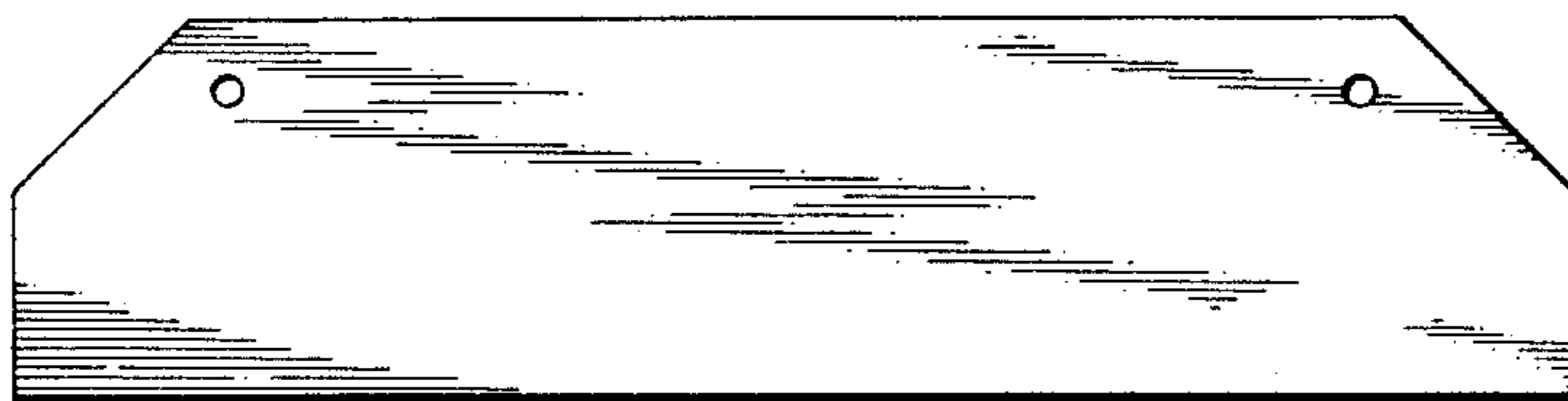


FIG. 6.

