

[54] PAPER ROLL HOLDER

[75] Inventor: Daniel L. Pool, Paradise Valley, Ariz.

[73] Assignee: PC Manufacturing Incorporated, Phoenix, Ariz.

[**] Term: 14 Years

[21] Appl. No.: 514,002

[22] Filed: Jul. 15, 1983

[52] U.S. Cl. D6/523

[58] Field of Search D6/300, 308, 310, 314, D6/419, 420, 429-431, 444, 446, 448, 450-451, 470, 509-512, 523-524, 522, 528, 531, 535, 546, 549, 552-553, 555, 559-563, 566-574; D25/74; D8/373; 108/25, 26.2, 29, 30, 42, 59, 137, 138, 144, 151, 152; 211/26, 60.1, 70.1, 70.6, 70.8, 72-73, 75, 87-90, 126, 112, 134, 135, 153; 242/55.2, 55.5

[56] References Cited

U.S. PATENT DOCUMENTS

- D. 228,849 10/1979 Firdmann D6/523
- D. 253,381 11/1979 Tegner D6/523

- D. 259,310 5/1981 Crowe D6/523
- 3,329,367 7/1967 Paradise 242/55.55
- 3,643,884 2/1972 Curtin 242/55.2

Primary Examiner—B. J. Bullock
Assistant Examiner—Suzanne N. Gitlin
Attorney, Agent, or Firm—Don J. Flickinger

[57] CLAIM

The ornamental design for a paper roll holder, as shown and described.

DESCRIPTION

FIG. 1 is a enlarged front perspective view of paper roll holder showing my new design;
 FIG. 2 is a top plan view thereof;
 FIG. 3 is a rear elevational view thereof;
 FIG. 4 is a left side elevational view, the opposite side being a mirror image;
 FIG. 5 is a front perspective view of a second embodiment of FIG. 1;
 FIG. 6 is an enlarged left side elevational view of FIG. 5;
 FIG. 7 is a reduced rear elevational view of FIG. 5;
 FIG. 8 is an enlarged top plan view of FIG. 5 shown broken away for ease of illustration.

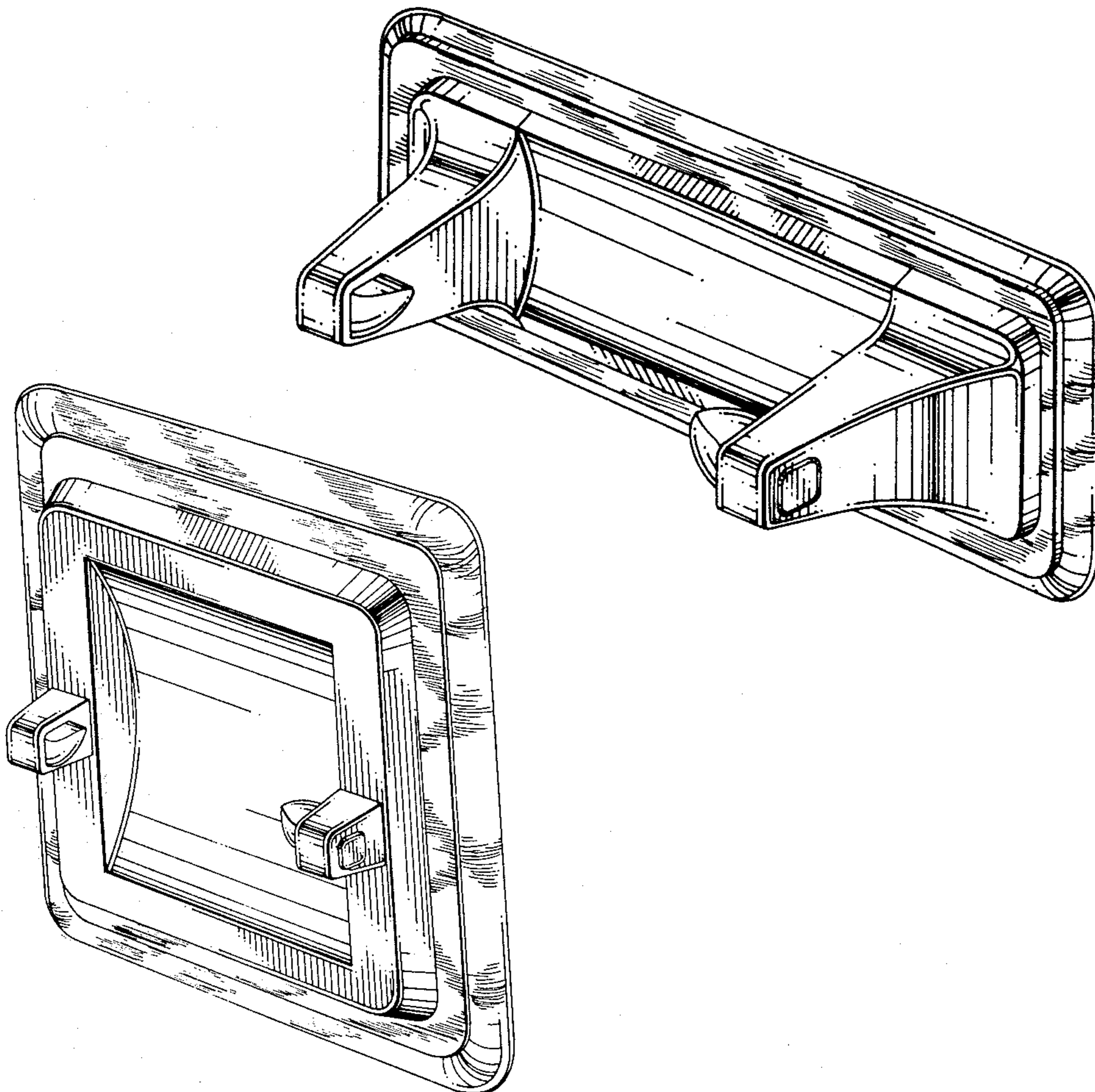


FIG. 1

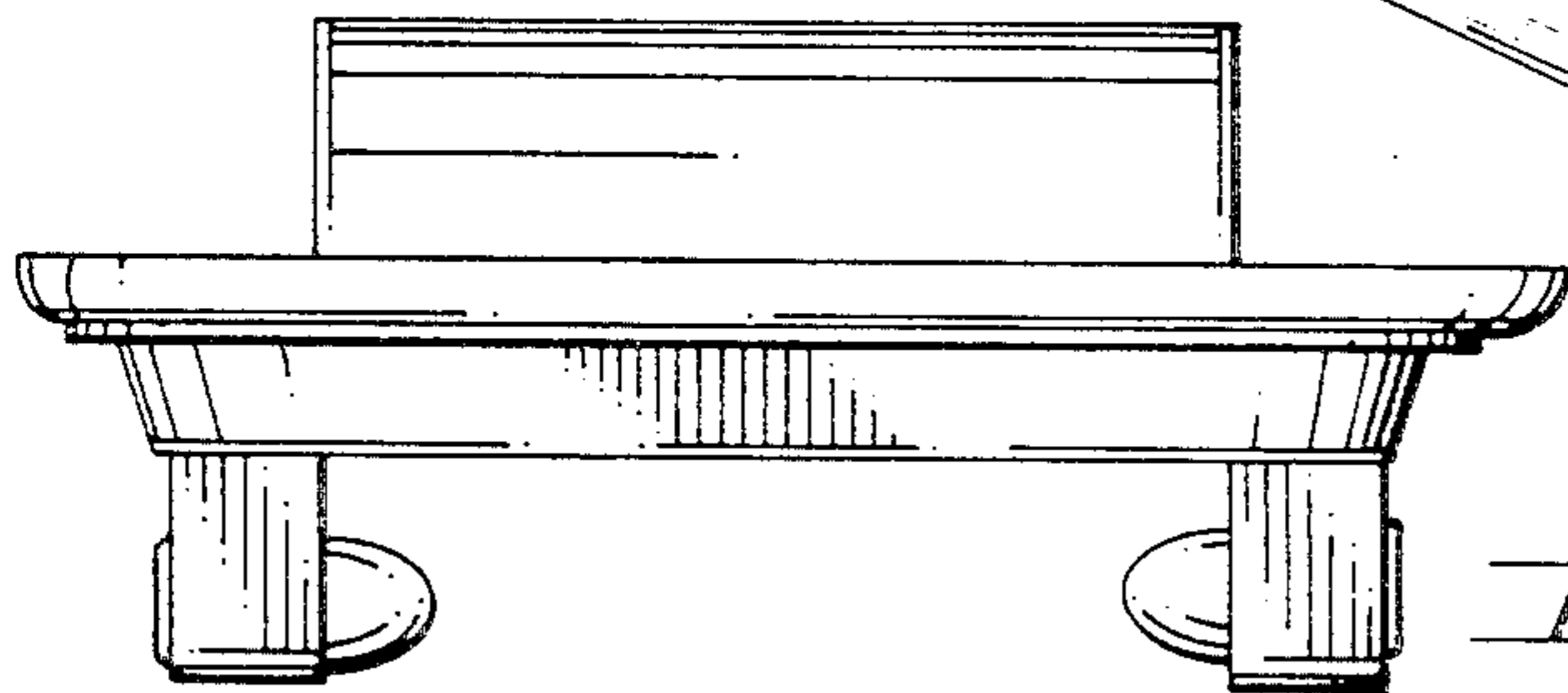
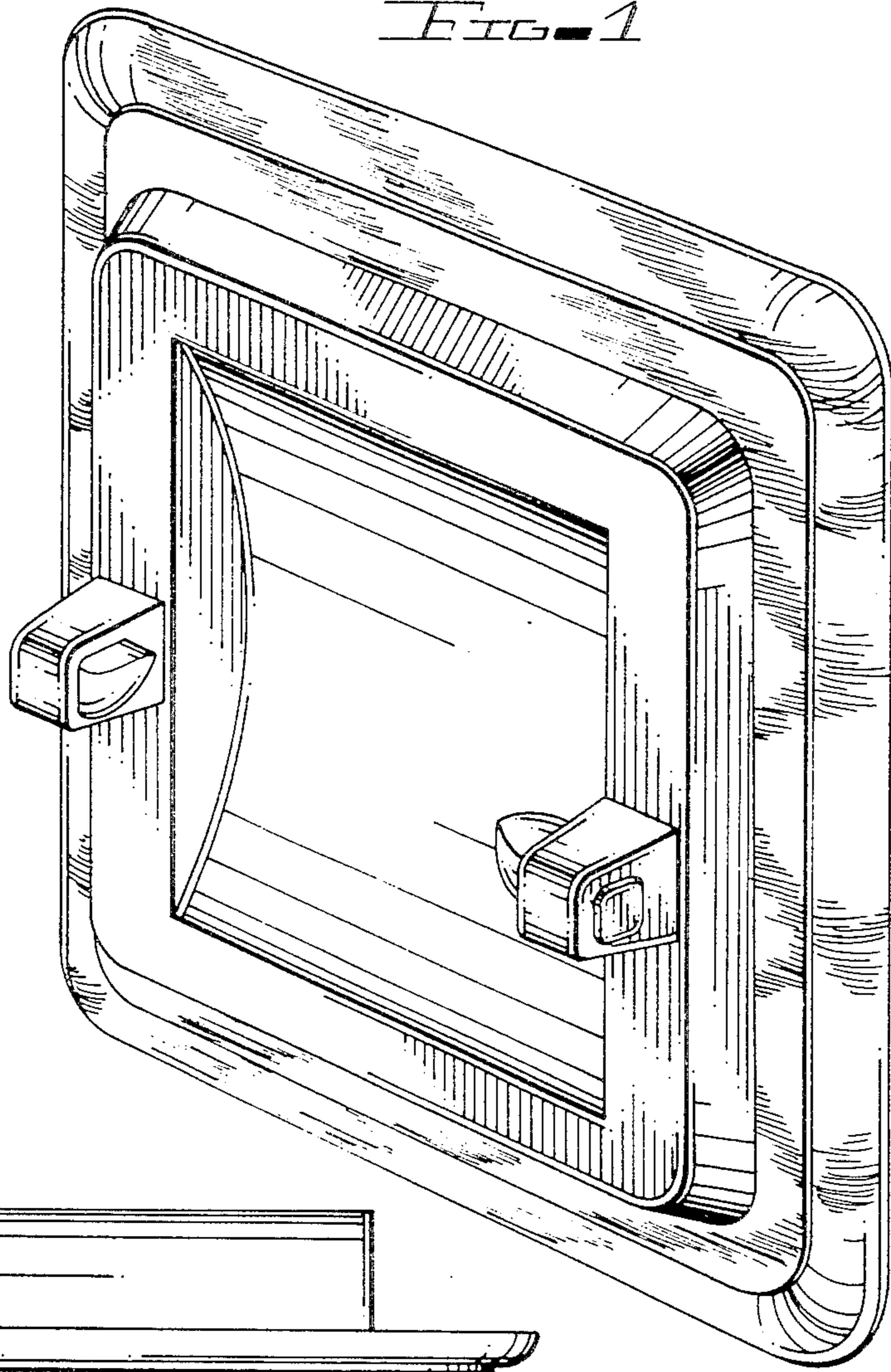


FIG. 2

FIG. 4

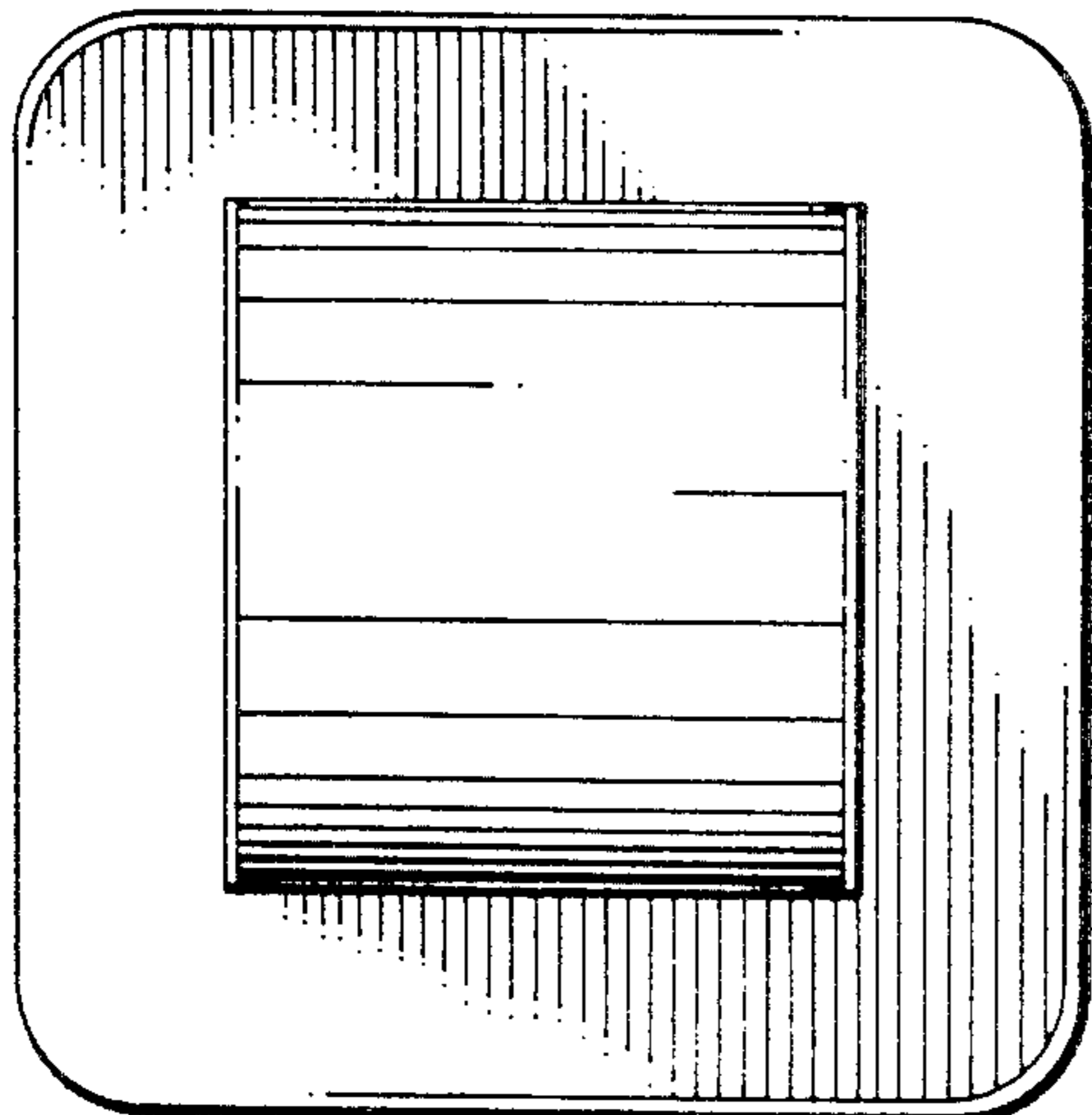
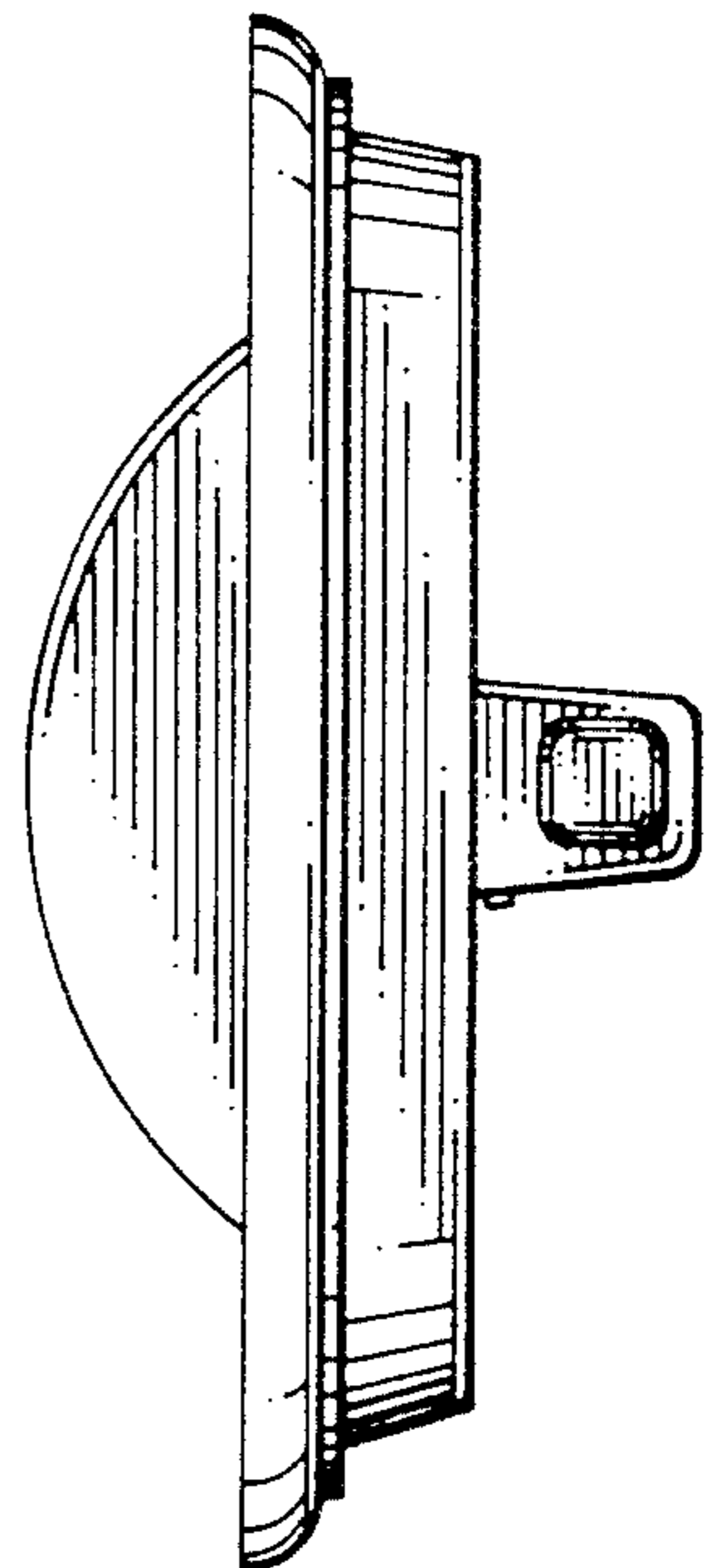


FIG. 3

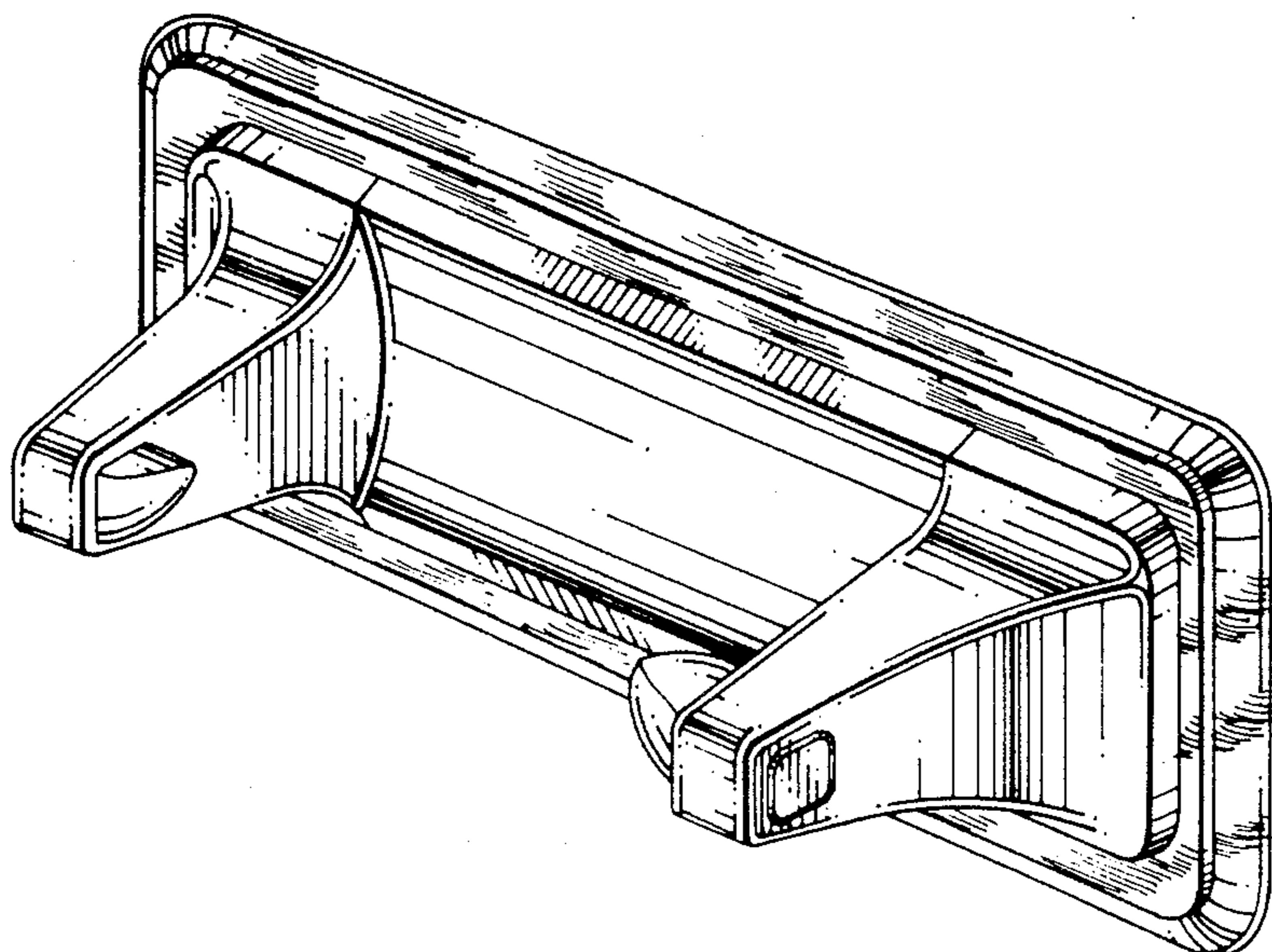


FIG. 5

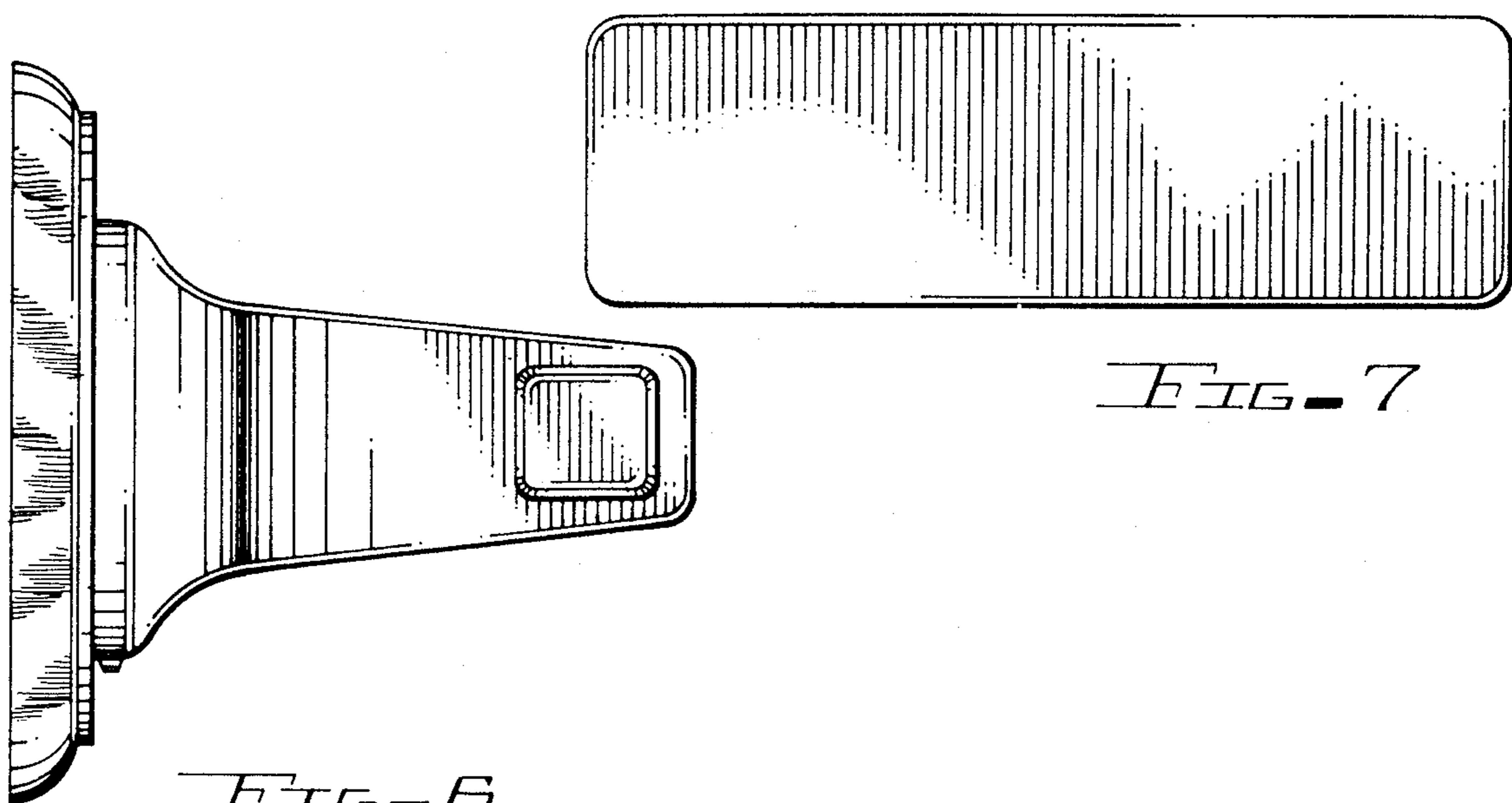


FIG. 6

FIG. 7

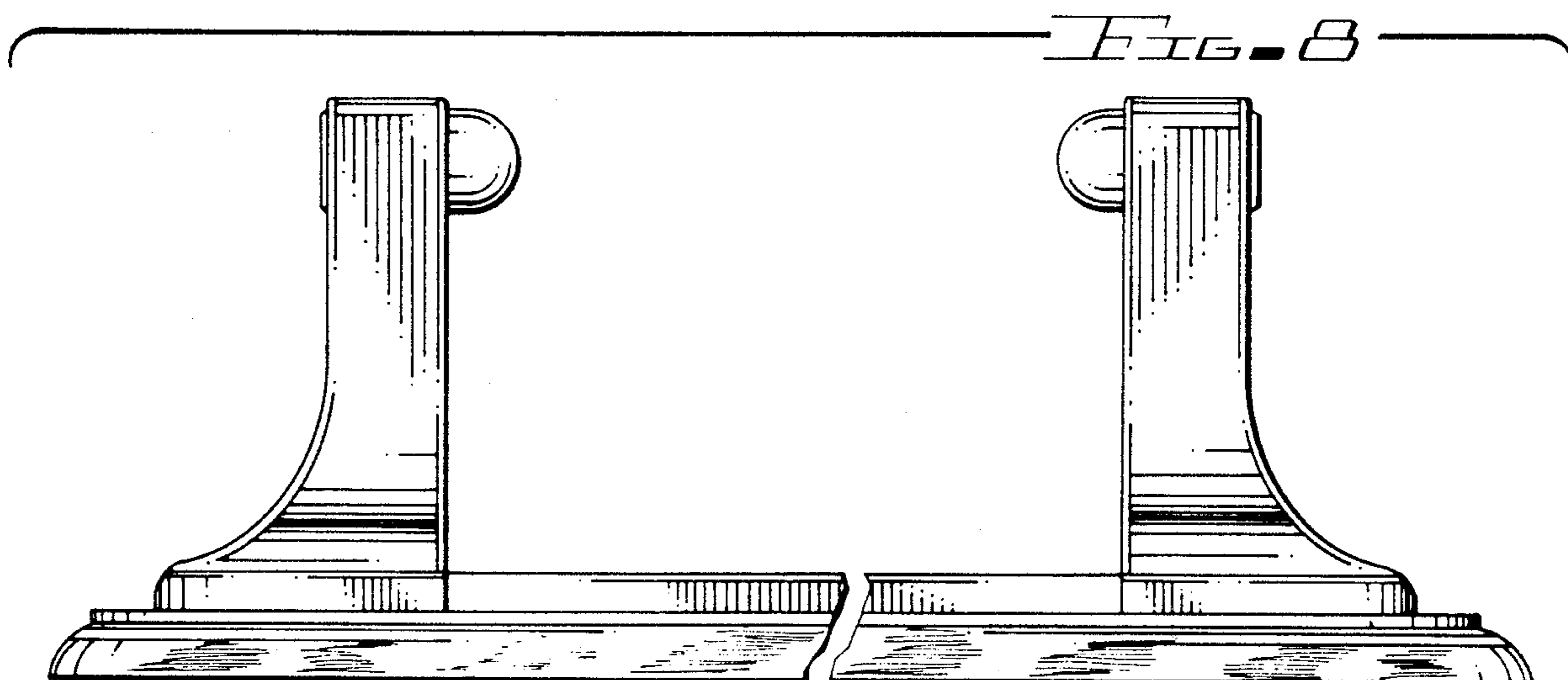


FIG. 8