

[54] **COMBINED WARDROBE AND SHELF UNIT**

[75] **Inventor: Sergio Saporiti, Besnate, Italy**

[73] **Assignee: Saporiti Italia S.p.A., Besnate, Italy**

[\*\*] **Term: 14 Years**

[21] **Appl. No.: 473,872**

[22] **Filed: Mar. 10, 1983**

[30] **Foreign Application Priority Data**

Sep. 17, 1982 [IT] Italy ..... 60944/82[U]  
[52] **U.S. Cl.** ..... **D6/436; D6/437;**  
**D6/445; D6/474; D6/478; D6/479**  
[58] **Field of Search** ..... **D6/432, 436, 437, 438,**  
**D6/445, 446, 447, 448, 474, 477, 478, 479, 470;**  
**108/92; 312/114, 117**

[56]

**References Cited**

**FOREIGN PATENT DOCUMENTS**

962107 7/1973 United Kingdom ..... D6/470 X

**OTHER PUBLICATIONS**

*Interiors* Jan. 1975, p. 50; Wall Unit on top of page.  
*Breuners-Holiday Catalog* ©1982, p. 10; Wall Unit at  
bottom right on page.

*Primary Examiner*—Carmen H. Vales  
*Assistant Examiner*—M. Lawrence  
*Attorney, Agent, or Firm*—Kuhn Muller and Bazerman

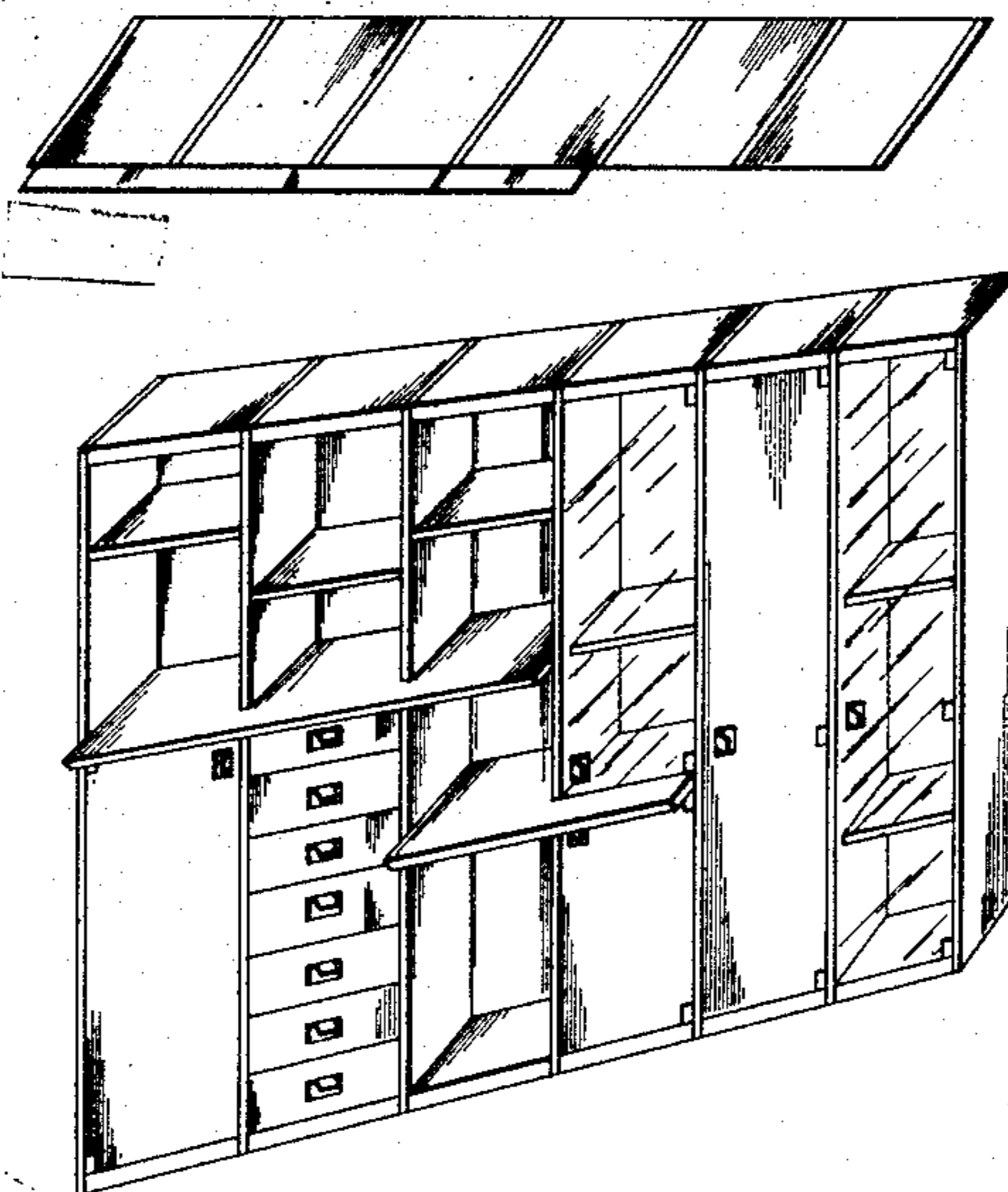
[57]

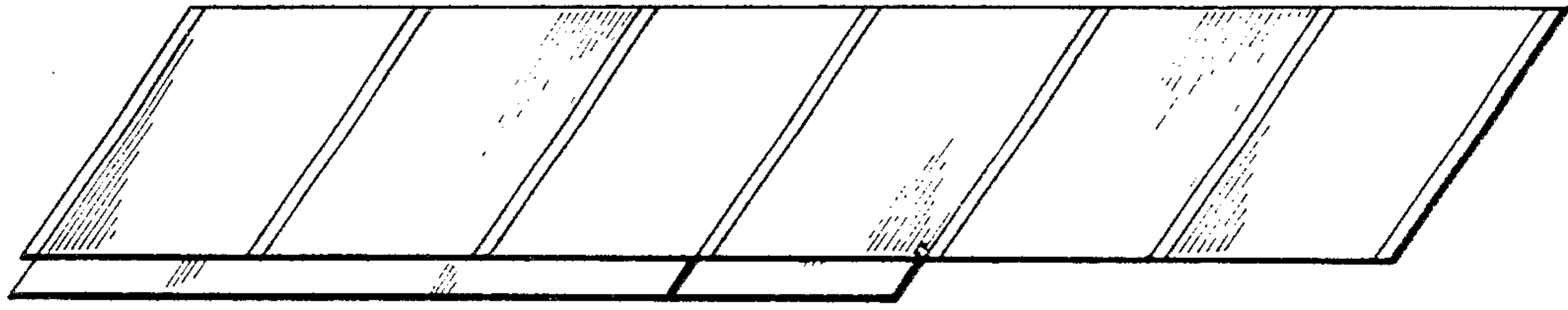
**CLAIM**

The ornamental design for a combined wardrobe and  
shelf unit, as shown.

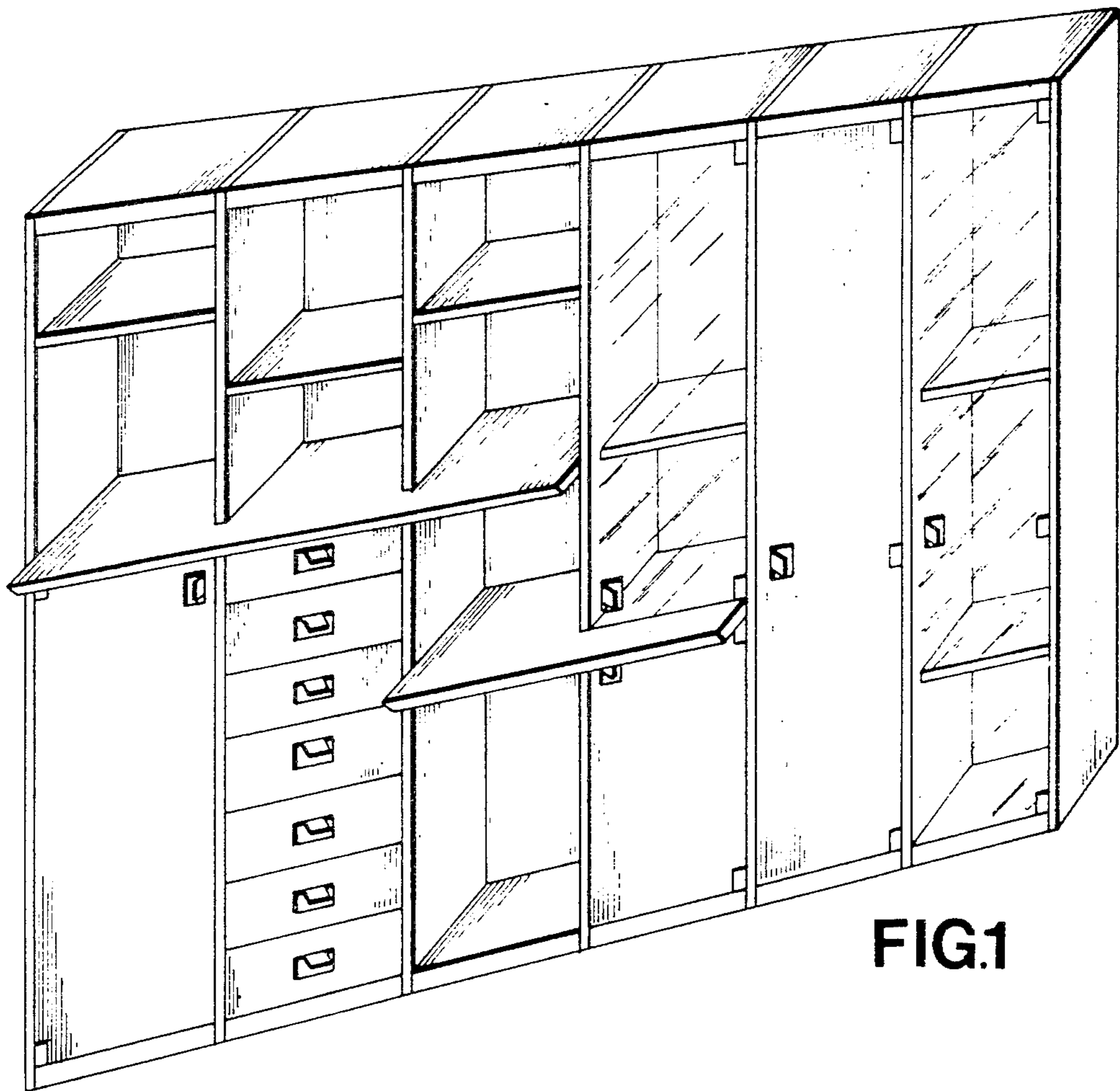
**DESCRIPTION**

FIG. 1 is a front perspective view of a combined ward-  
robe and shelf unit showing my new design;  
FIG. 2 is a top plan view thereof;  
FIG. 3 is a bottom plan view thereof; and  
FIG. 4 is a rear elevational view thereof.

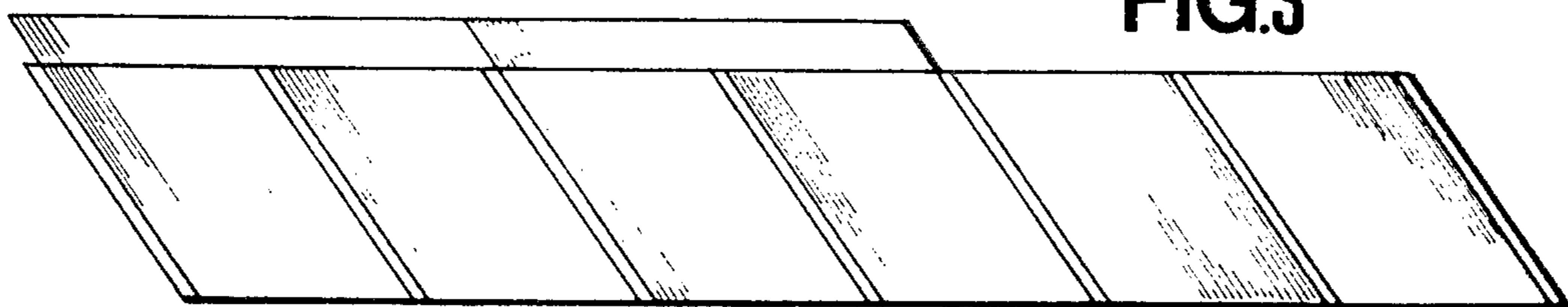




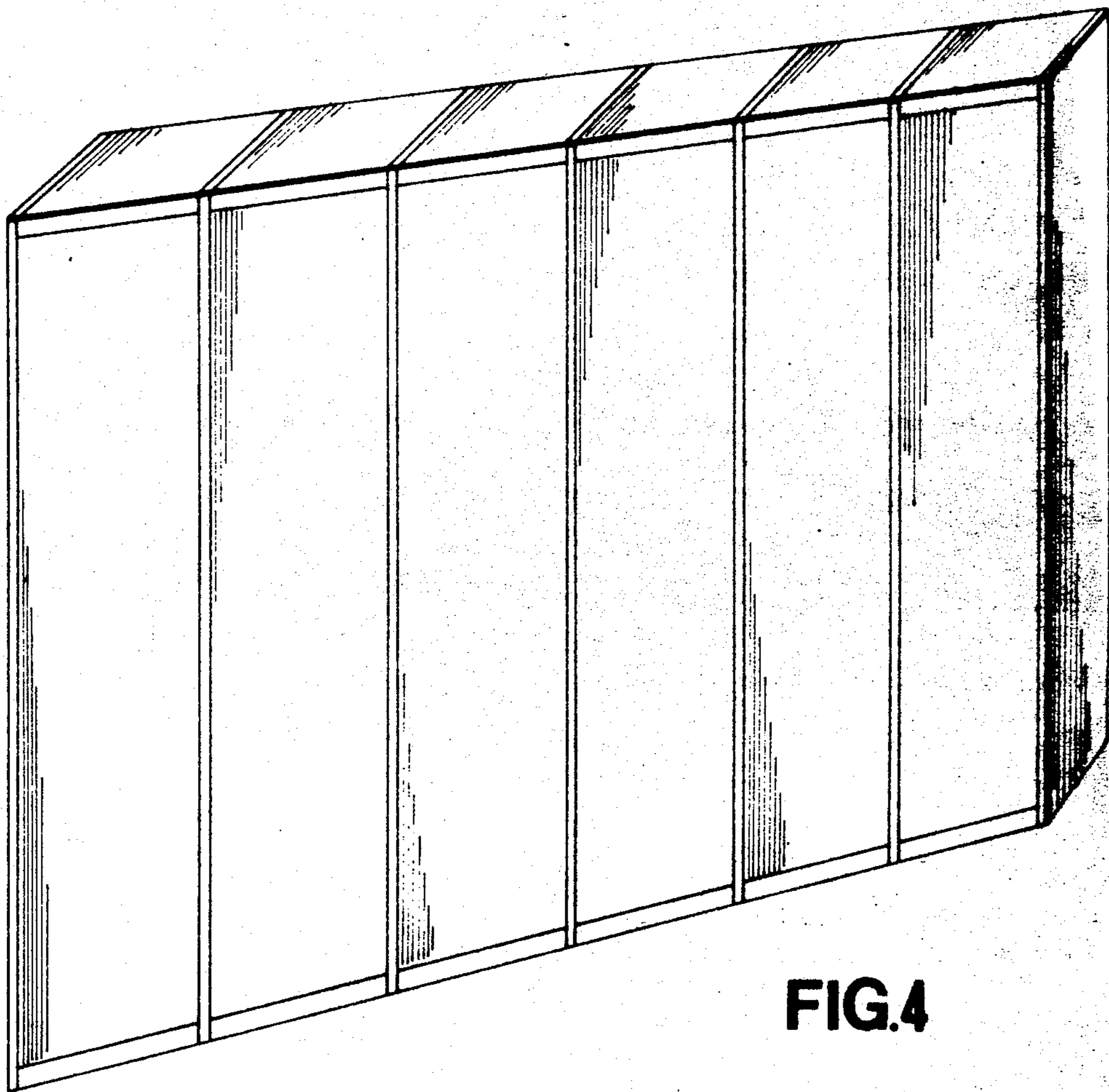
**FIG. 2**



**FIG. 1**



**FIG. 3**



**FIG. 4**