

[54] DISPLAY STAND FOR WRECKER HOIST

[76] Inventor: Wallace H. Hawkins, P.O. Box 3726, Greenville, S.C. 29608

[**] Term: 14 Years

[21] Appl. No.: 567,361

[22] Filed: Dec. 30, 1983

[52] U.S. Cl. D6/400

[58] Field of Search D6/400, 480, 484, 449, D6/396; 211/13

[56] References Cited

U.S. PATENT DOCUMENTS

- D. 218,903 10/1970 Chichester D6/484
- D. 220,704 5/1971 Kramer D6/484
- D. 237,930 12/1975 Demmer D6/400
- D. 267,381 12/1982 Miller D6/400

D. 273,739 5/1984 Shapiro D6/400

Primary Examiner—Carmen H. Vales
Attorney, Agent, or Firm—Bailey & Hardaway

[57] CLAIM

The ornamental design for a display stand for wrecker hoist, as shown and described.

DESCRIPTION

FIG. 1 is a side elevational view of a display stand for a wrecker hoist showing my new design; the broken line showing of a wrecker hoist is for illustrative purposes only;

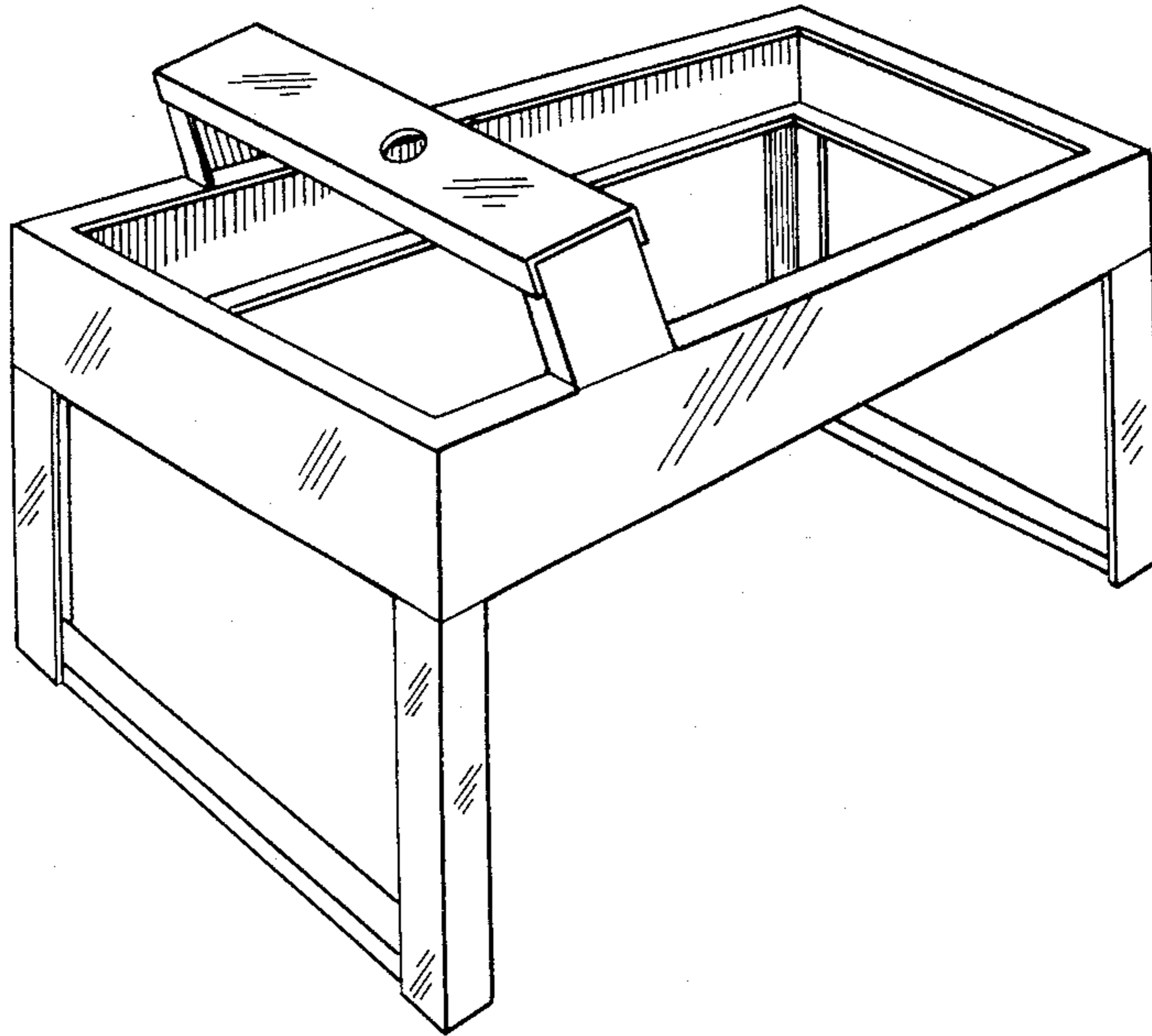
FIG. 2 is a perspective view thereof;

FIG. 3 is a top plan view thereof;

FIG. 4 is a bottom plan view thereof;

FIG. 5 is a front elevational view thereof; and

FIG. 6 is a rear elevational view thereof.



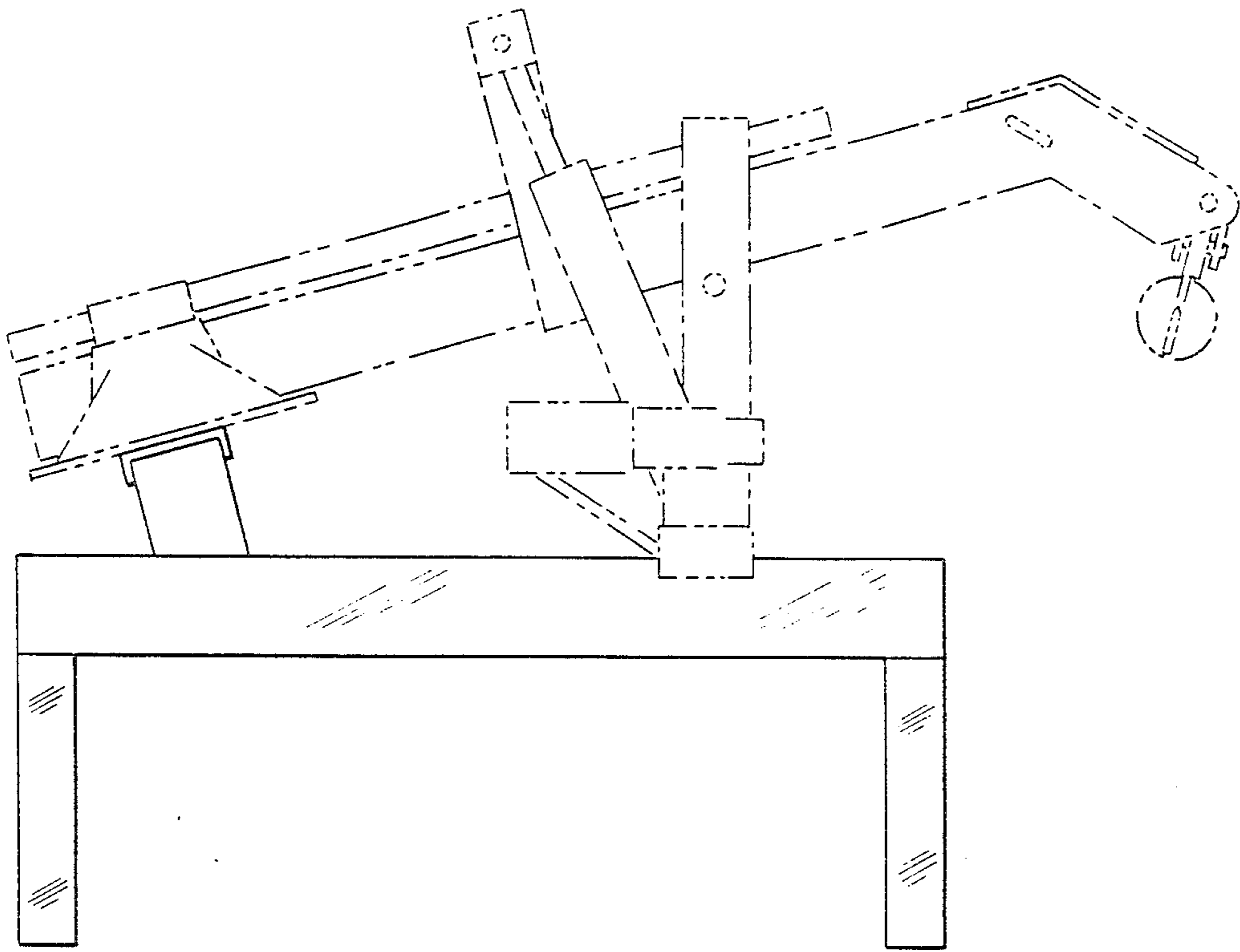


Fig. 1

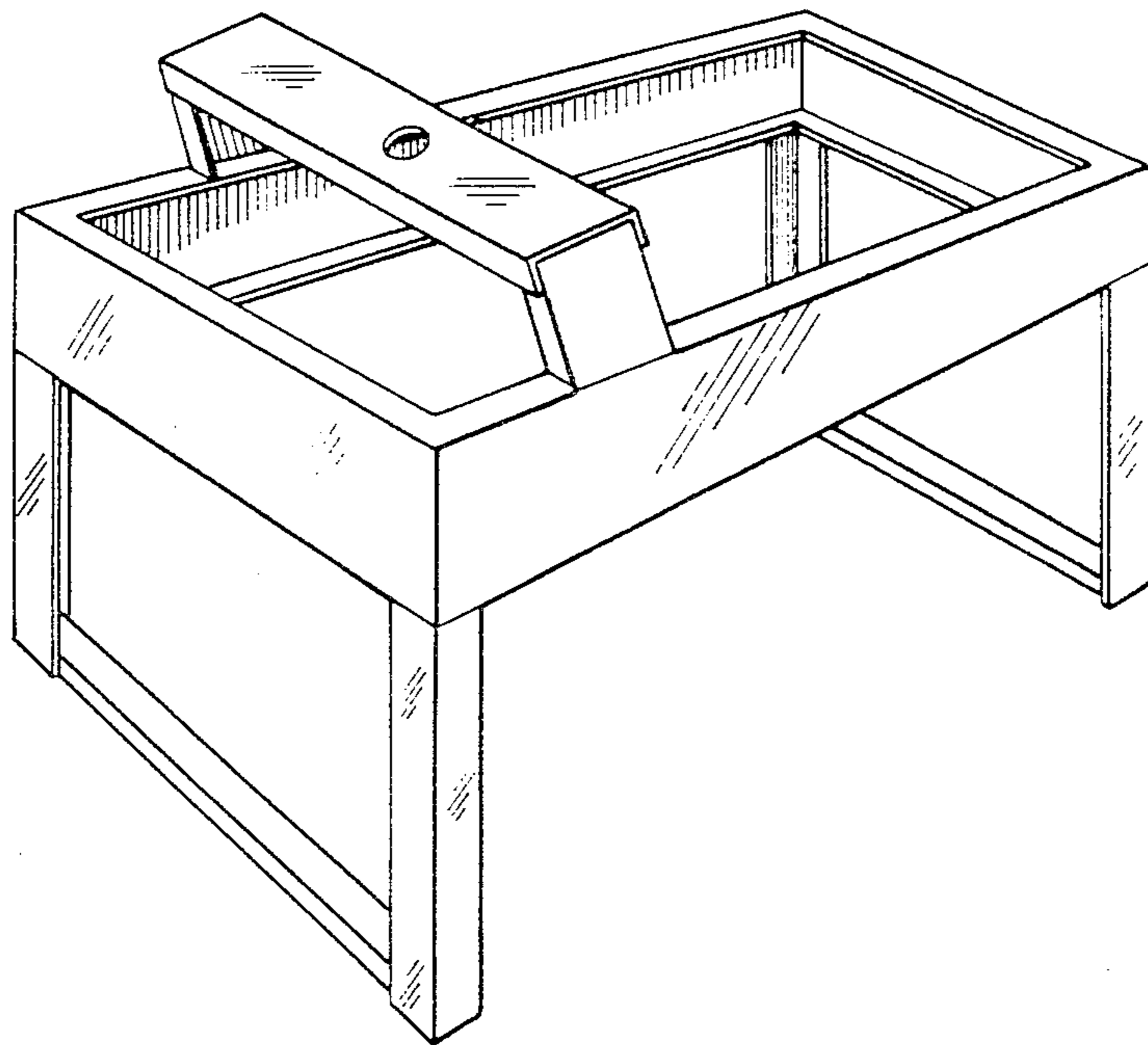


Fig. 2

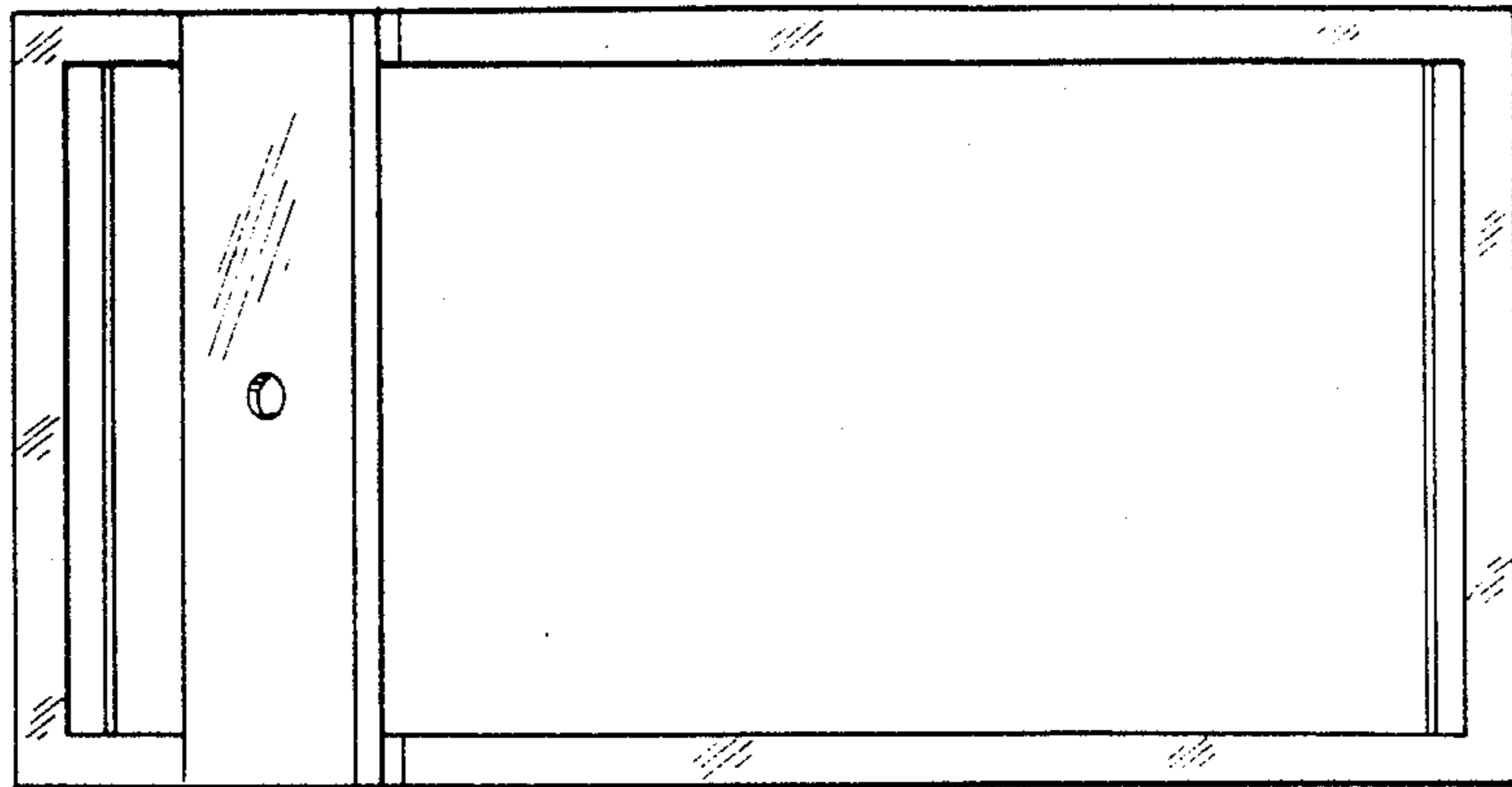


Fig. 3

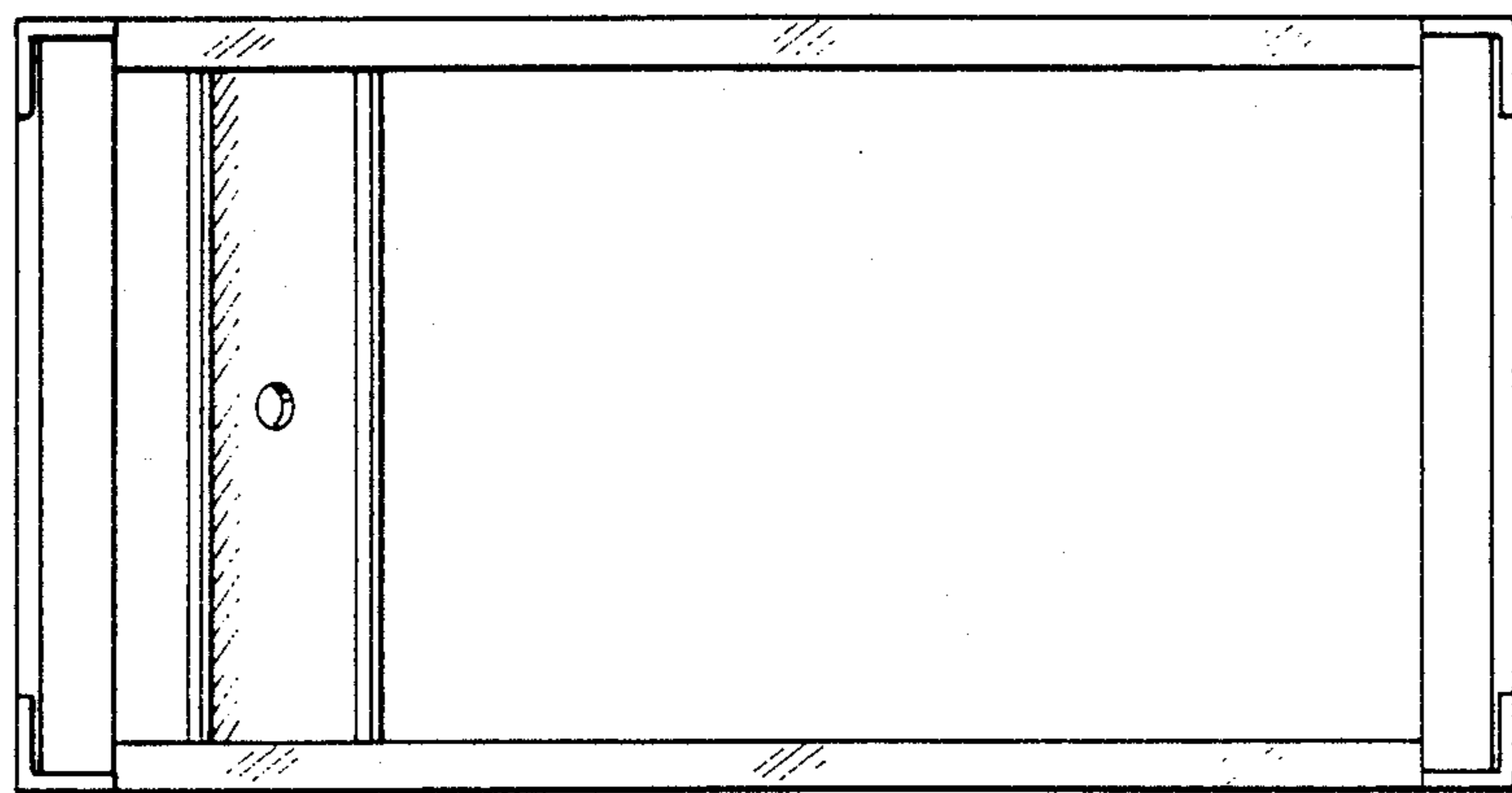


Fig. 4

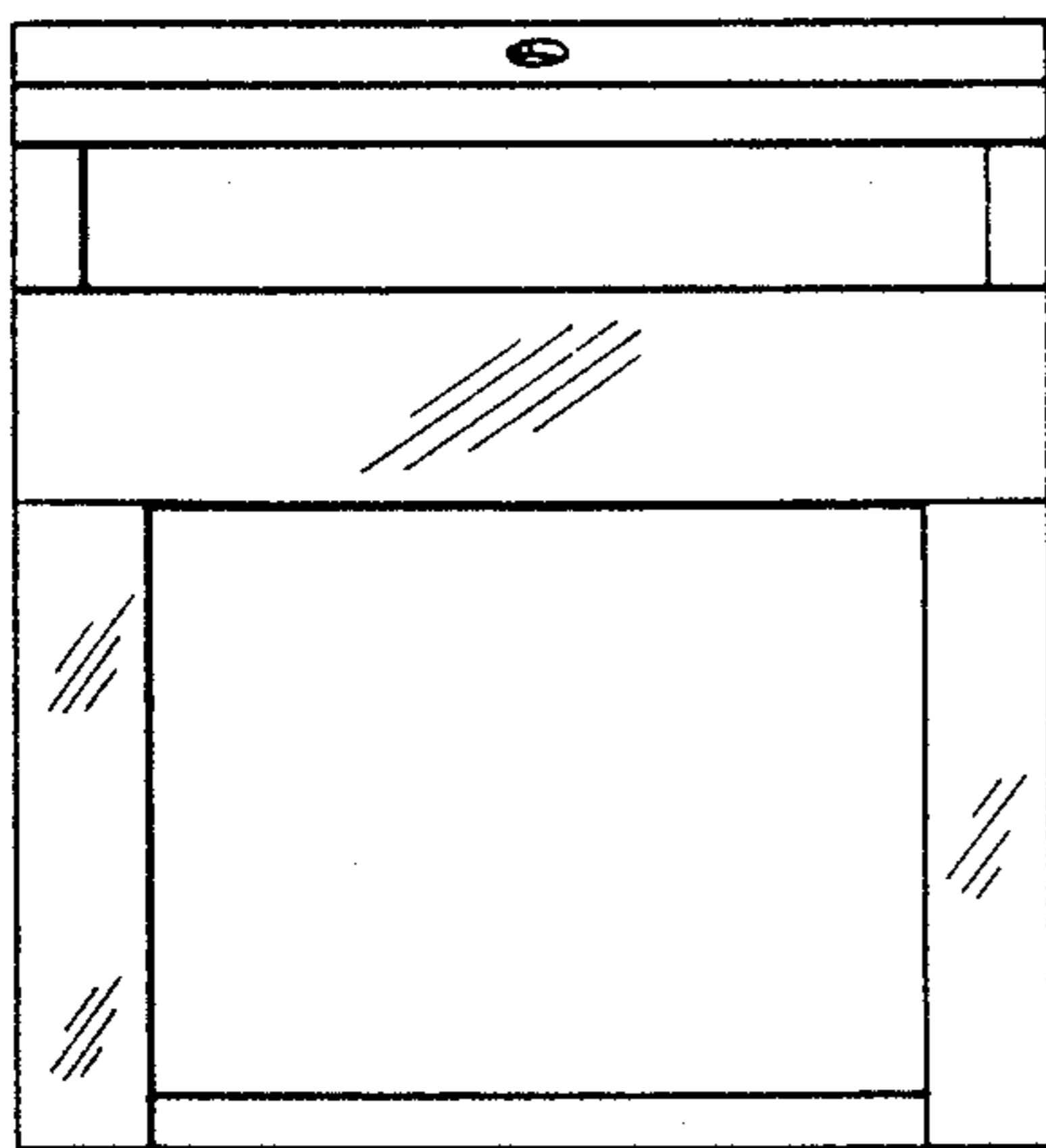


Fig. 5

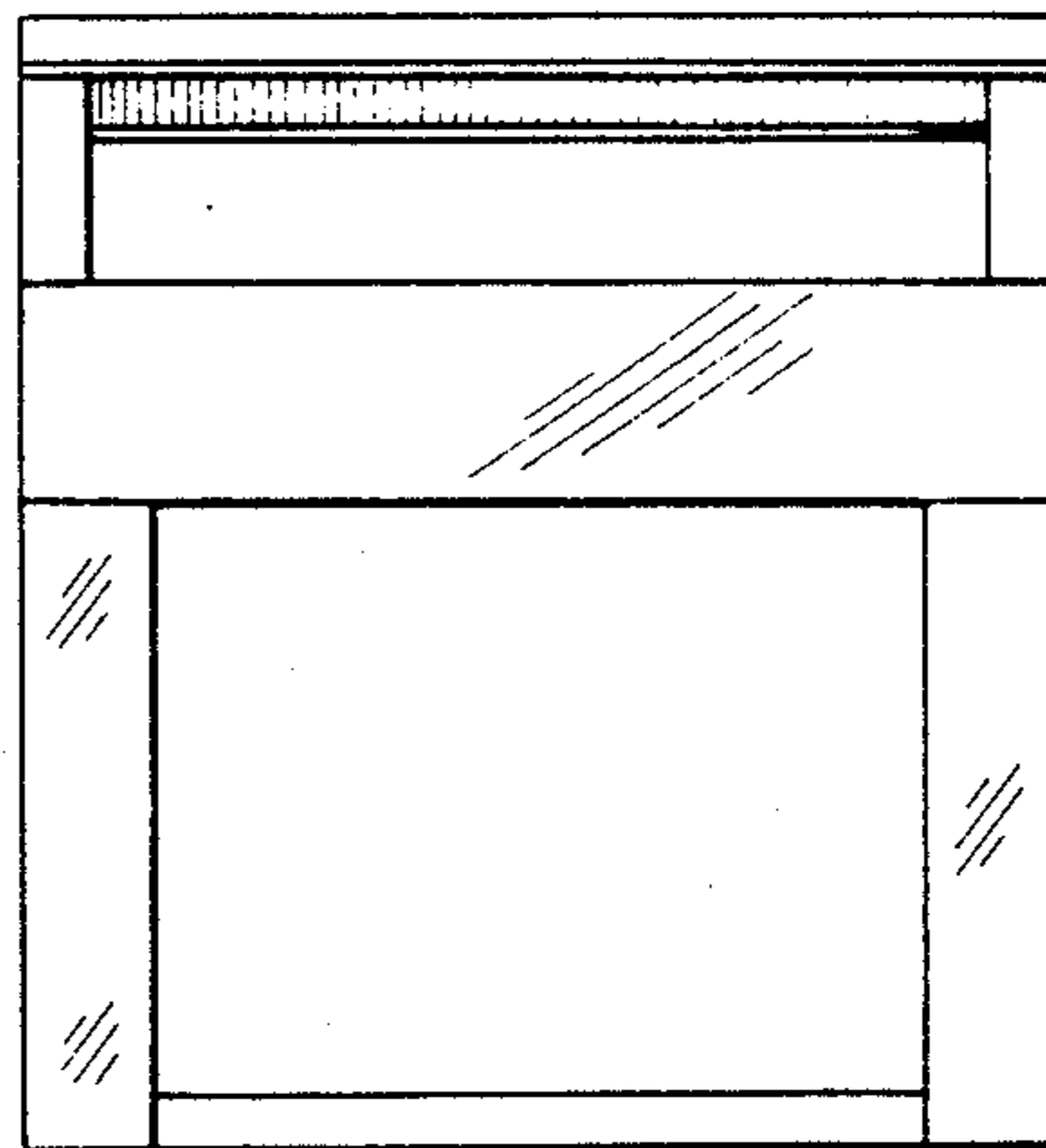


Fig. 6