

[54] COMBINED TABLE AND MULTIPLE SEAT UNIT

[75] Inventor: Aaron E. Swims, Benicia, Calif.

[73] Assignee: ACC, Sacramento, Calif.

[\*\*] Term: 14 Years

[21] Appl. No.: 533,351

[22] Filed: Sep. 19, 1983

[52] U.S. Cl. .... D6/338; D6/368

[58] Field of Search ..... D6/334, 335, 336, 337, D6/338-341, 342, 367, 368-380; 297/16, 55, 56, 135, 170, 174

[56] References Cited

U.S. PATENT DOCUMENTS

D. 242,190 11/1976 White et al. .... D6/338

2,894,561 7/1959 Mackintosh ..... D6/338 X  
3,094,357 6/1963 Shwayder ..... D6/368 X

Primary Examiner—Bruce W. Dunkins  
Attorney, Agent, or Firm—Mark C. Jacobs

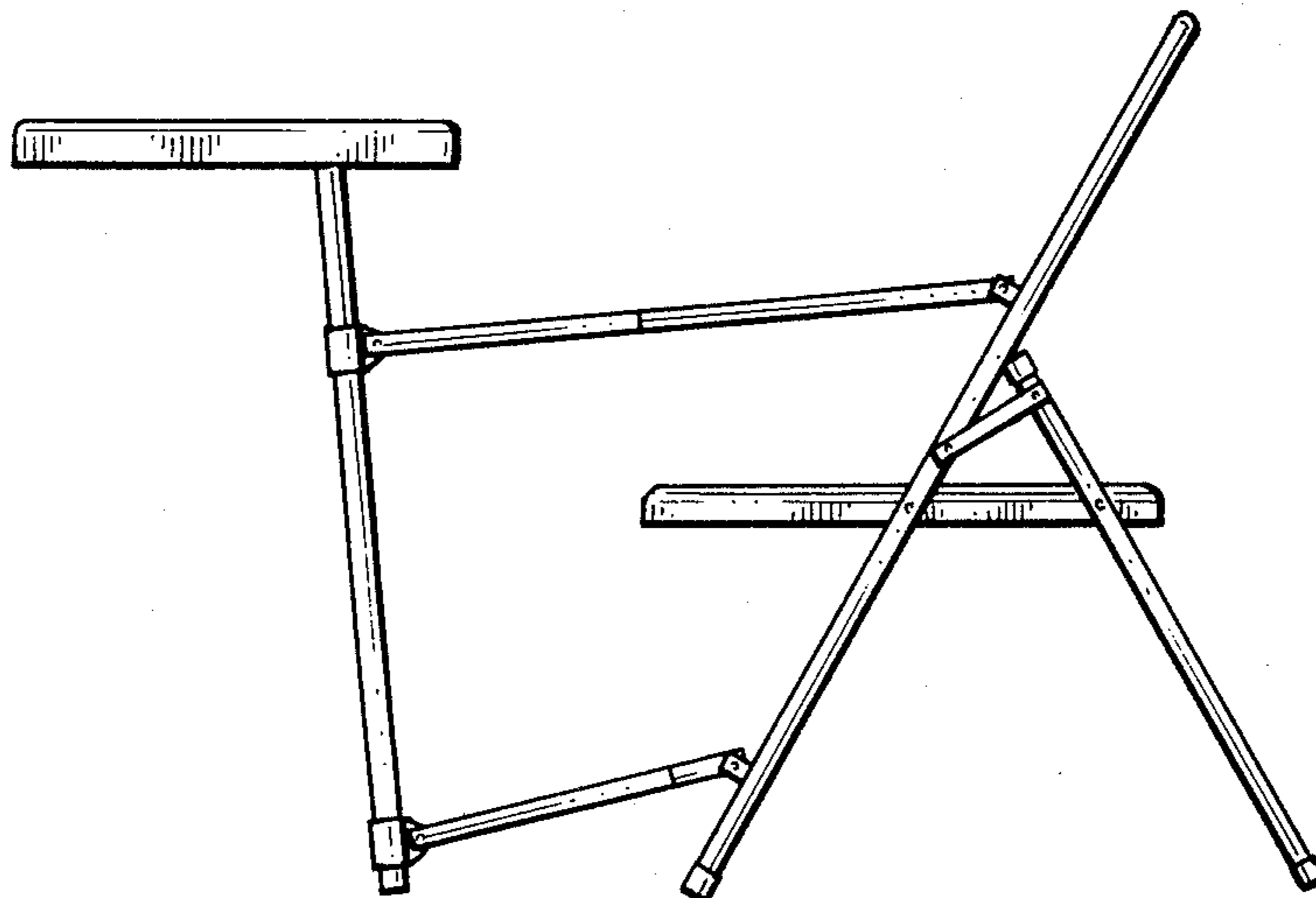
[57] CLAIM

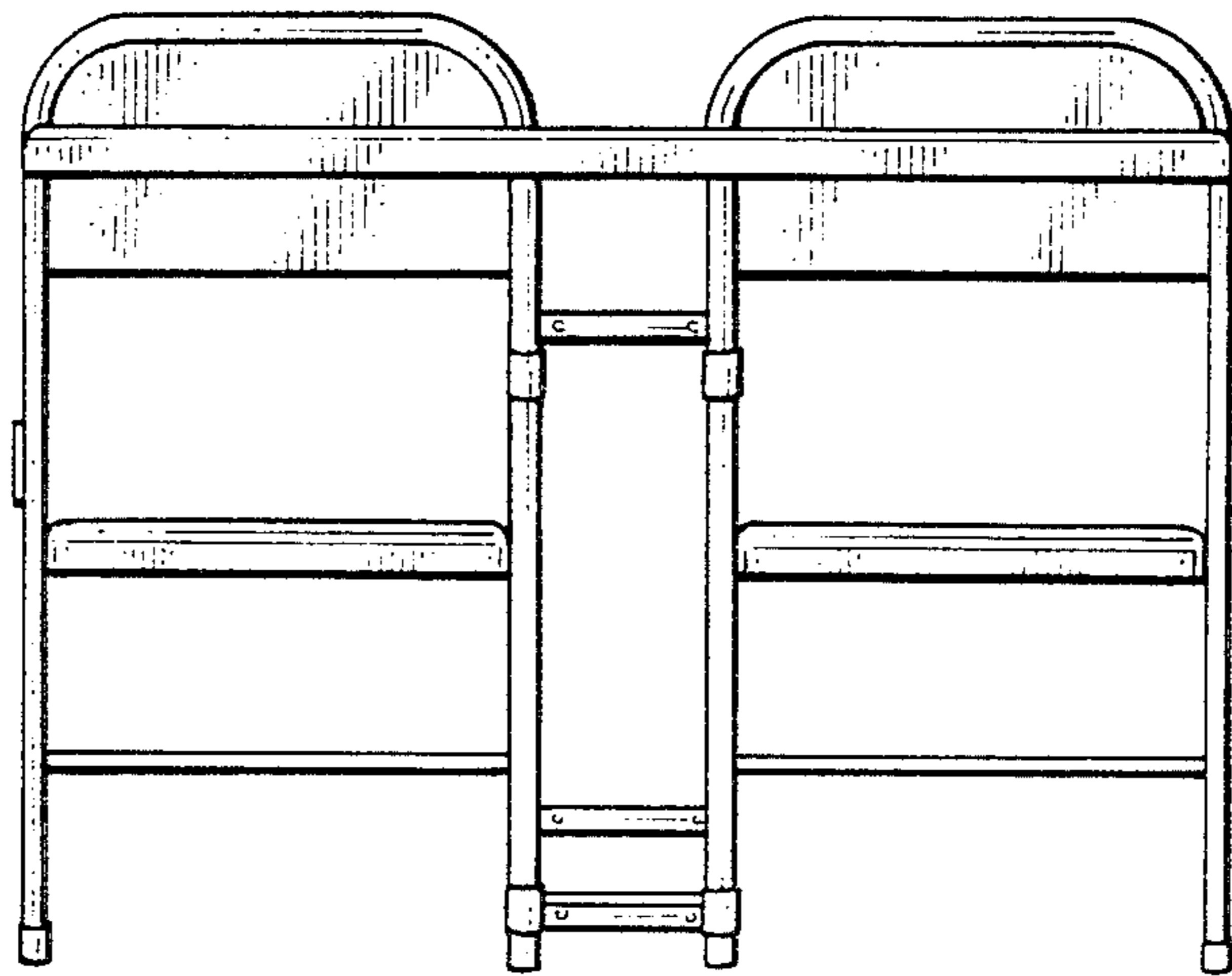
The ornamental design for a combined table and multiple seat unit, substantially as shown and described.

DESCRIPTION

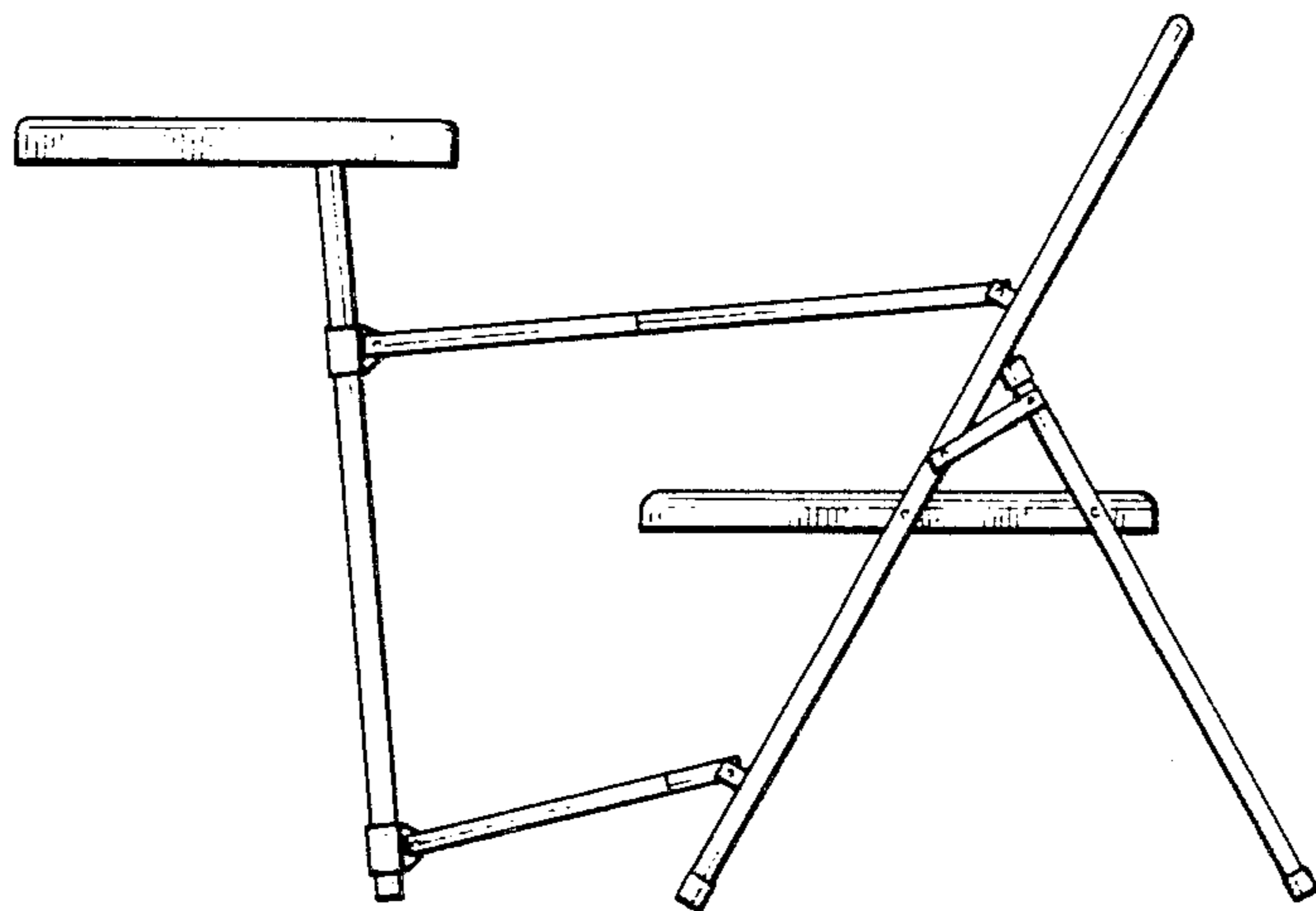
FIG. 1 is a front elevational view of a combined table and multiple seat unit showing my new design; FIG. 2 is a side elevational view; FIG. 3 is a rear elevational view; FIG. 4 is a top plan view; and FIG. 5 is a bottom plan view.

The side of the combined table and multiple seat unit not shown is a mirror image of the side shown in FIG. 2.

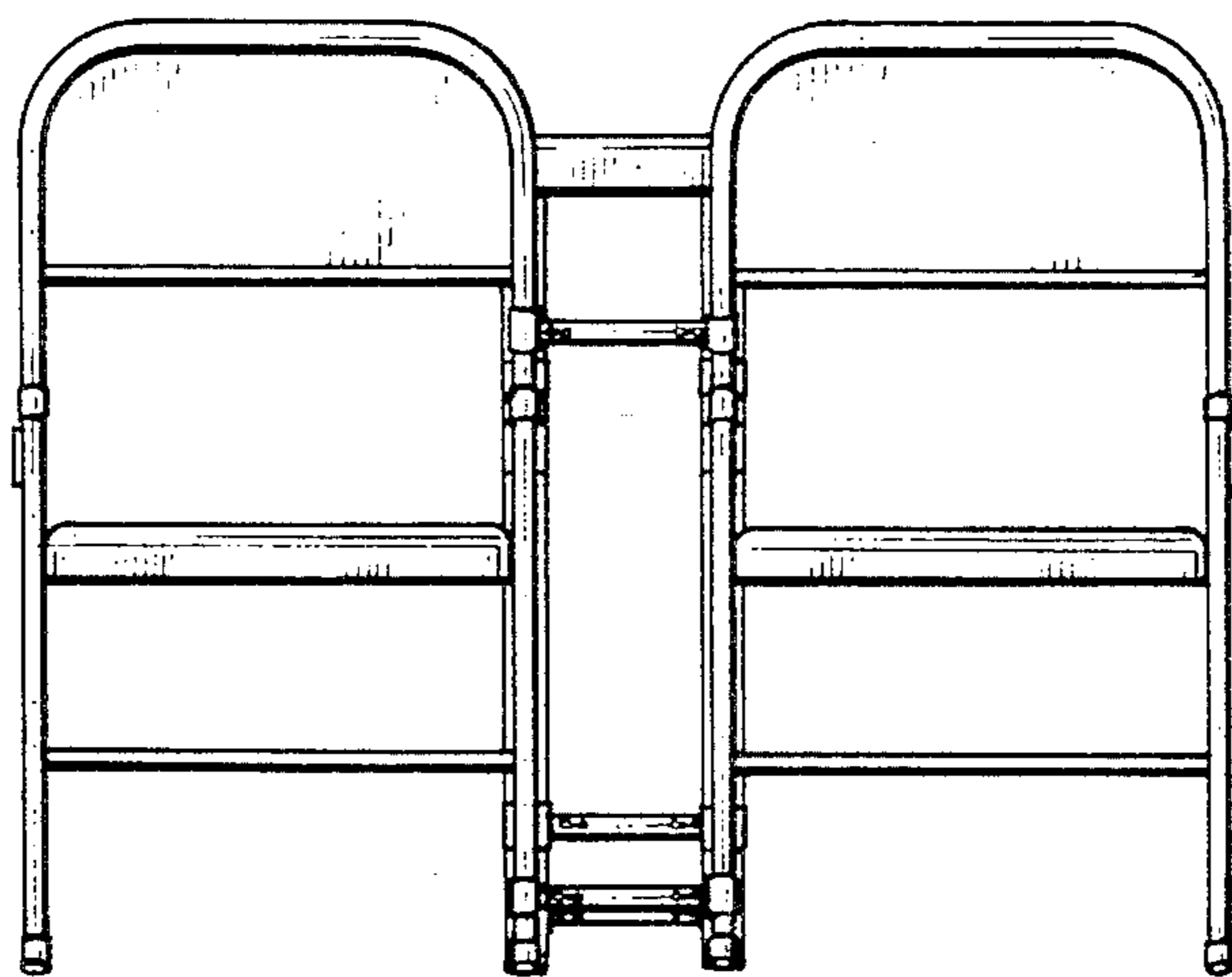




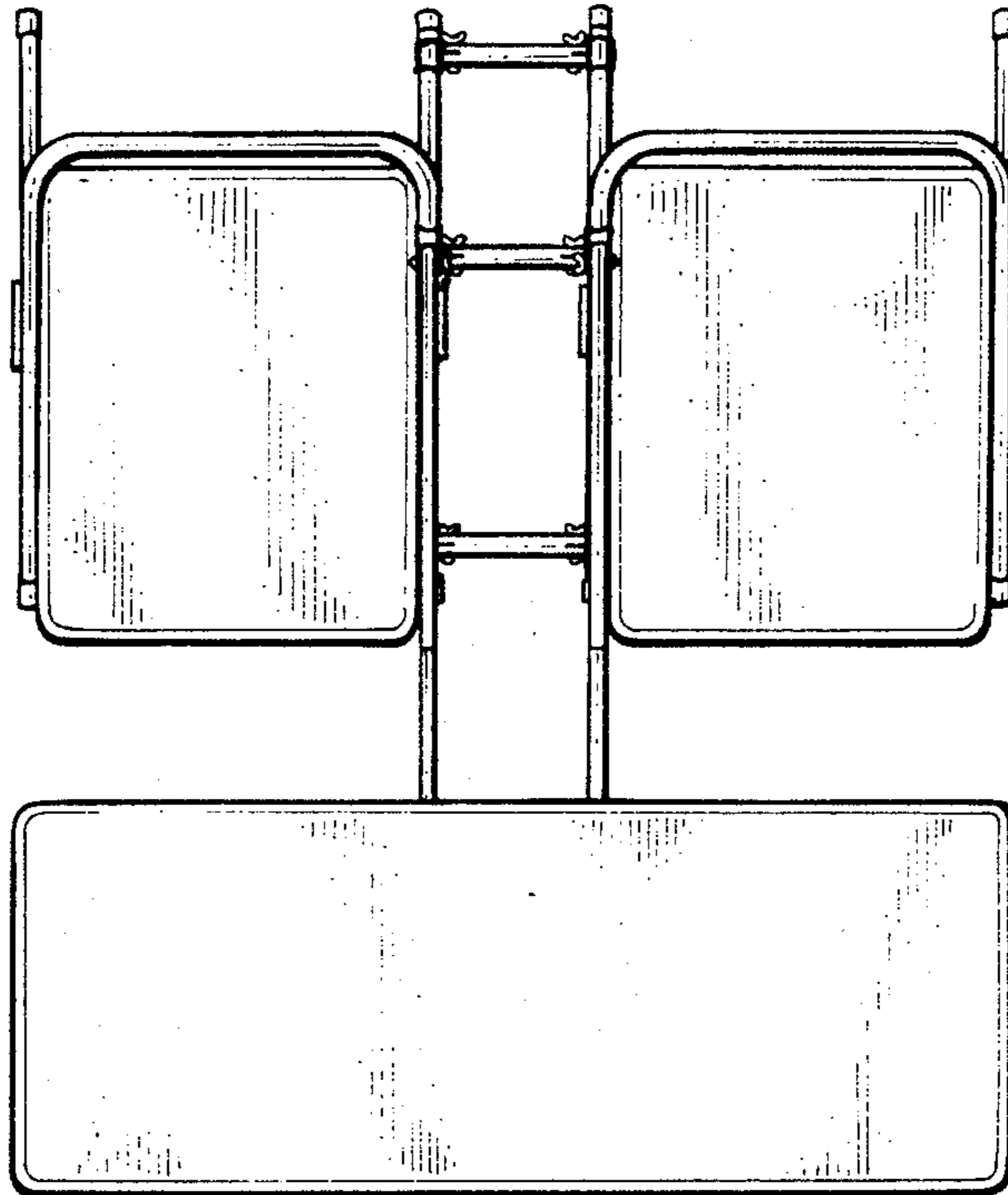
*Fig. 1.*



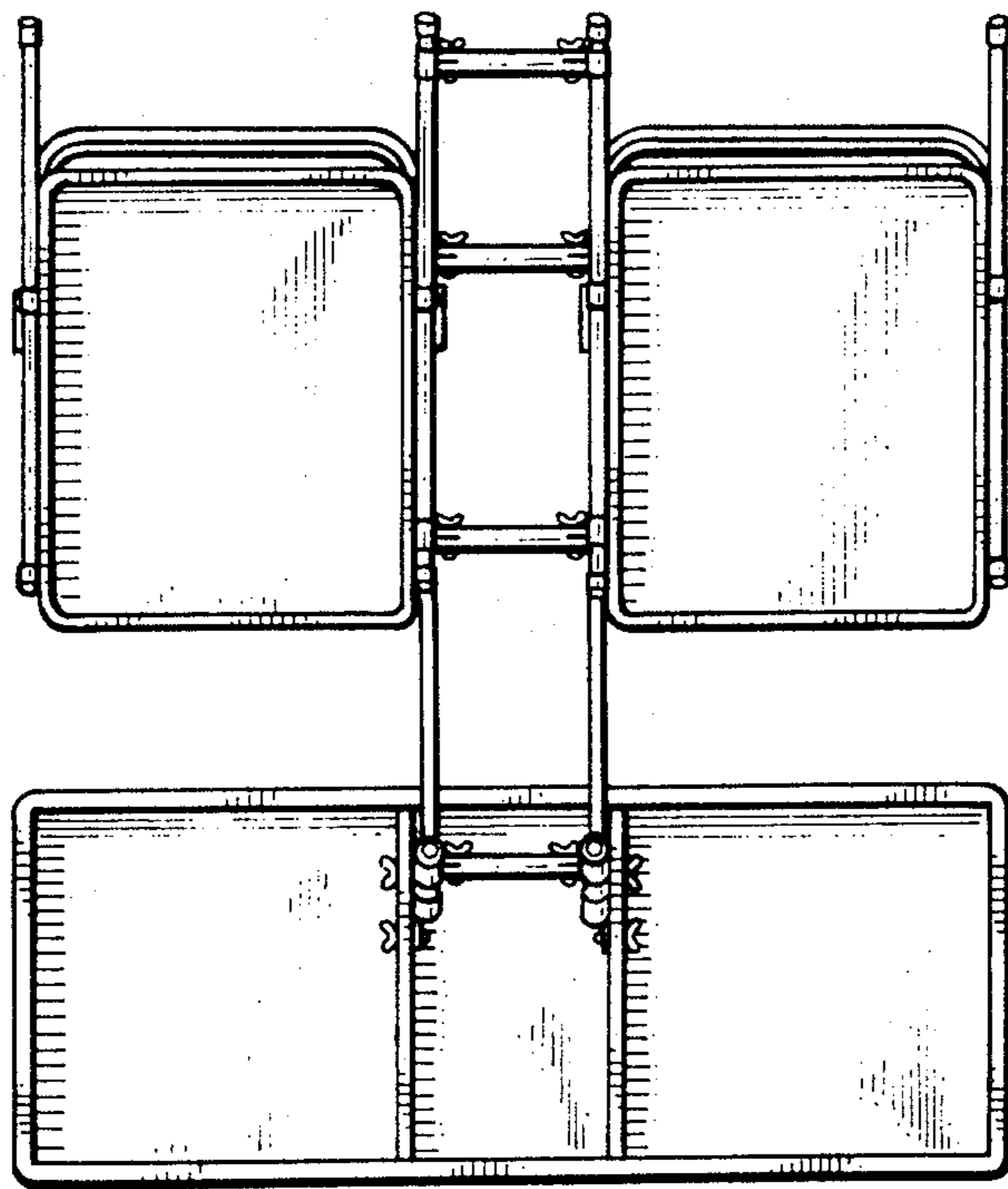
*Fig. 2.*



*Fig. 3.*



*Fig. 4.*



*Fig. 5.*