

[54] BUCKLE

[76] Inventor: Ernest Prete, Jr., 21145 Mulholland Dr., Woodland Hills, Calif. 91364

[\*\*] Term: 14 Years

[21] Appl. No.: 534,630

[22] Filed: Sep. 22, 1983

[52] U.S. Cl. .... D2/405; D2/447

[58] Field of Search ..... D2/405, 442, 443, 445, D2/447; 24/200, 198, 197

[56] References Cited

U.S. PATENT DOCUMENTS

D. 45,760	5/1914	Miller	.....	D2/442
D. 138,185	7/1944	Reiter	.....	D2/409
631,486	8/1899	Fischer	.....	24/318 X
975,942	11/1910	Flynn	.....	24/198

OTHER PUBLICATIONS

Tandy Leather Co. Catalog, Fall/Winter 1976, p. 54, bottom right of page, Buckle Back Ring and Hook.

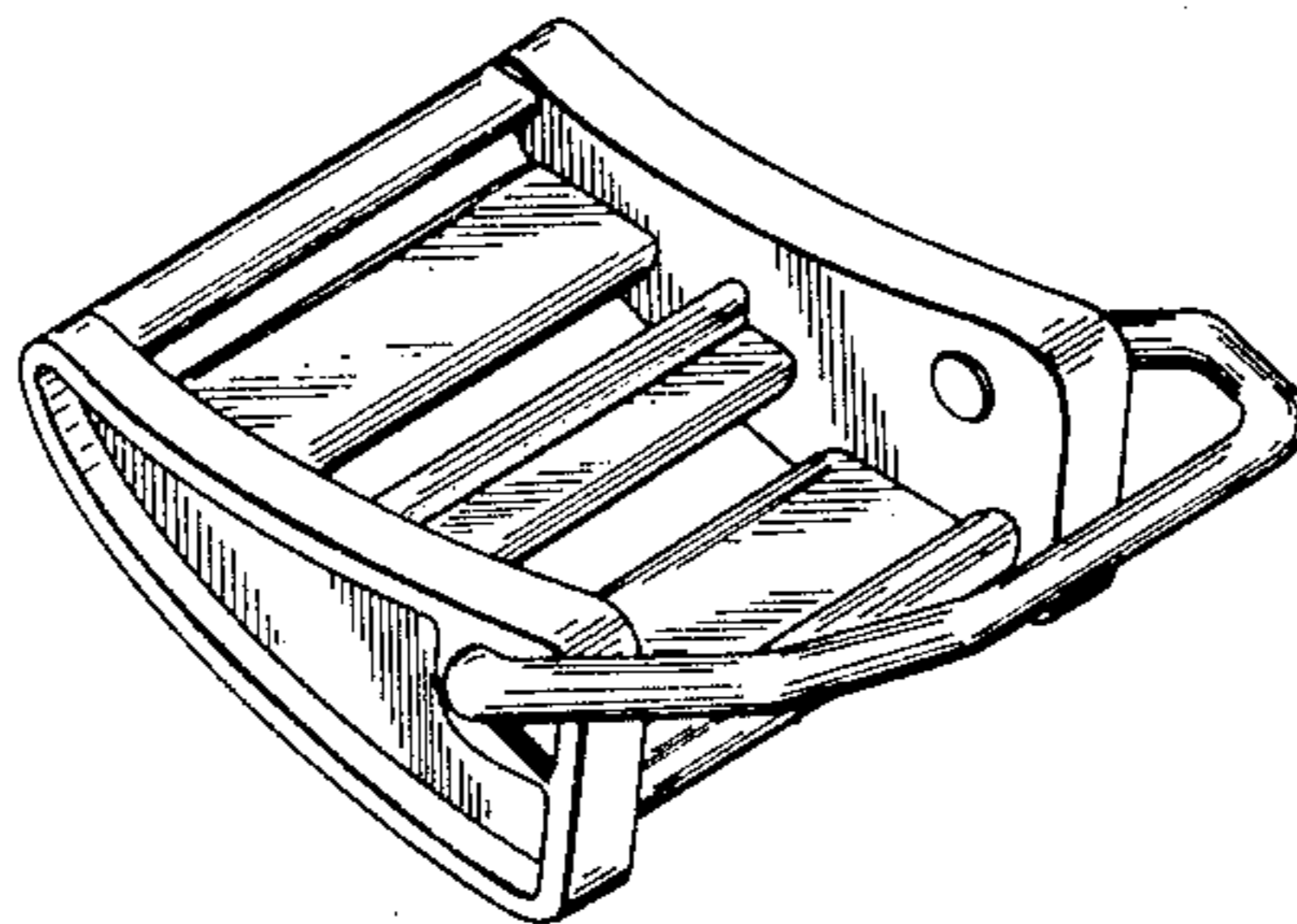
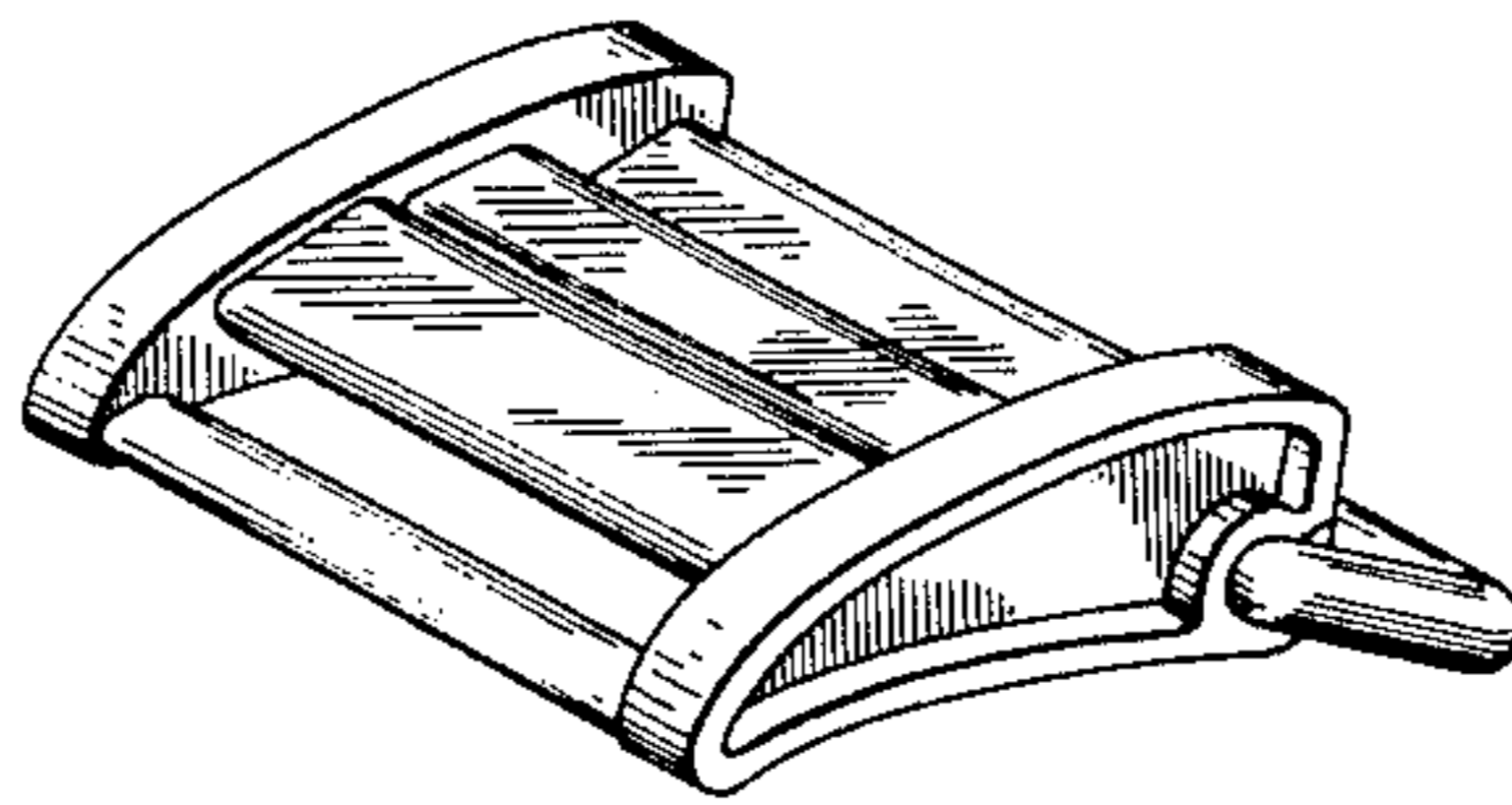
Primary Examiner—Bruce W. Dunkins  
Assistant Examiner—Theodore M. Shooman  
Attorney, Agent, or Firm—Edward A. Sokolski

[57] CLAIM

The ornamental design for a buckle, as shown and described.

DESCRIPTION

FIG. 1 is a top plan view of a buckle showing my new design;  
FIG. 2 is a bottom plan thereof;  
FIG. 3 is a side-elevation view thereof;  
FIG. 4 is a front-elevation view thereof;  
FIG. 5 is a rear-elevation view thereof;  
FIG. 6 is a top perspective view thereof; and  
FIG. 7 is a bottom perspective view thereof.  
The side opposite to that shown in FIG. 3 is the mirror thereof.



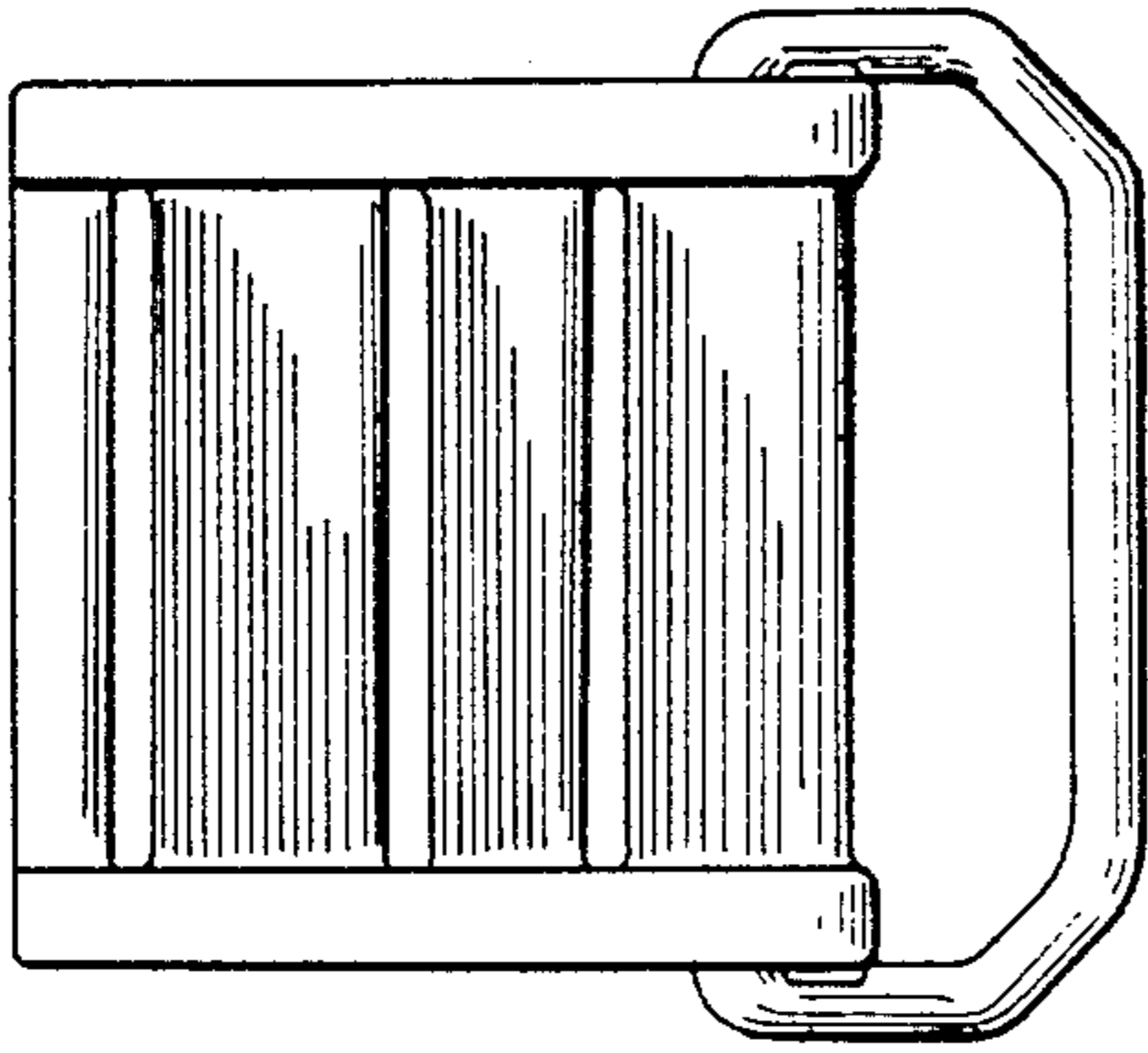


FIG. 1

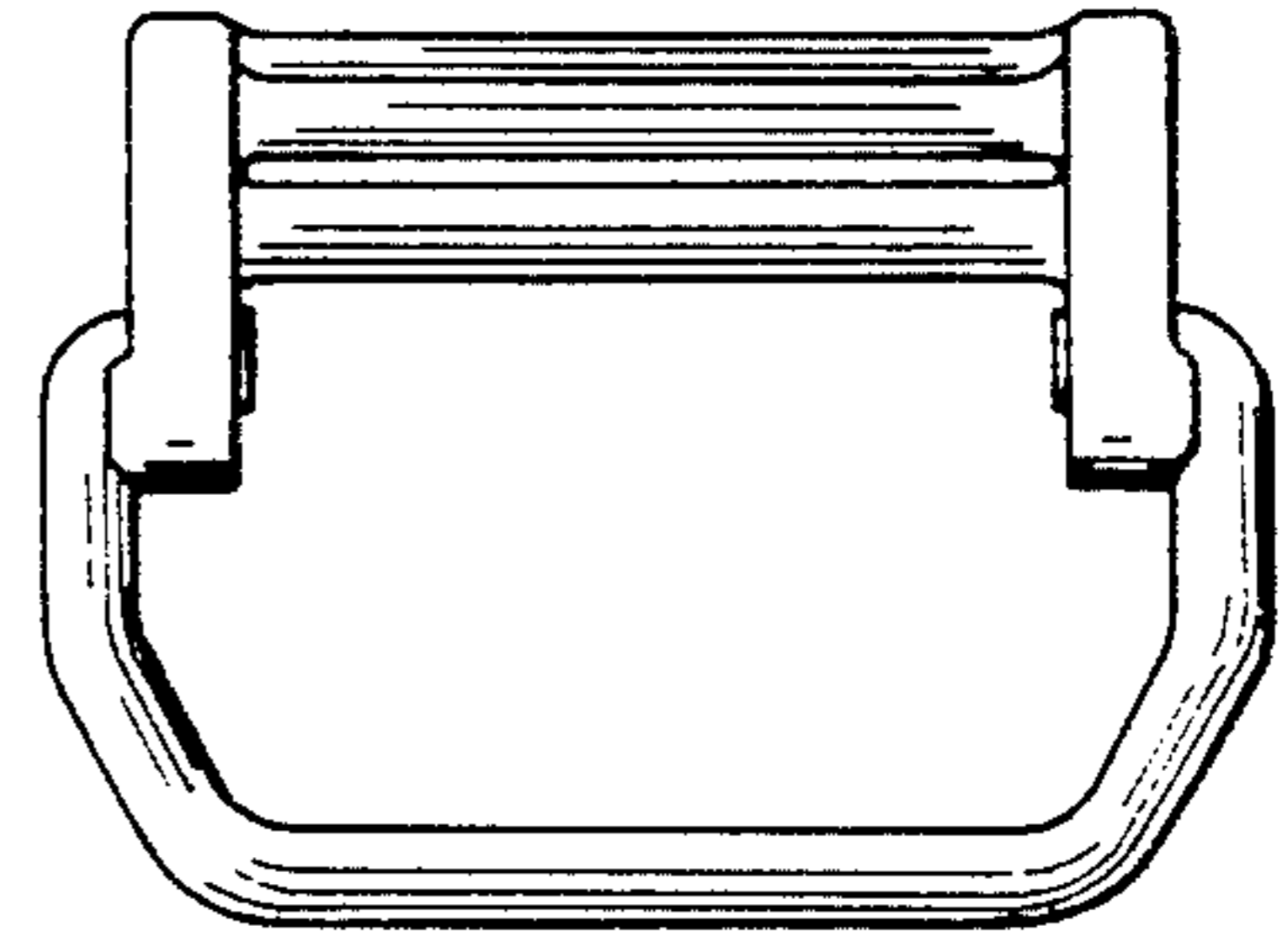


FIG. 4

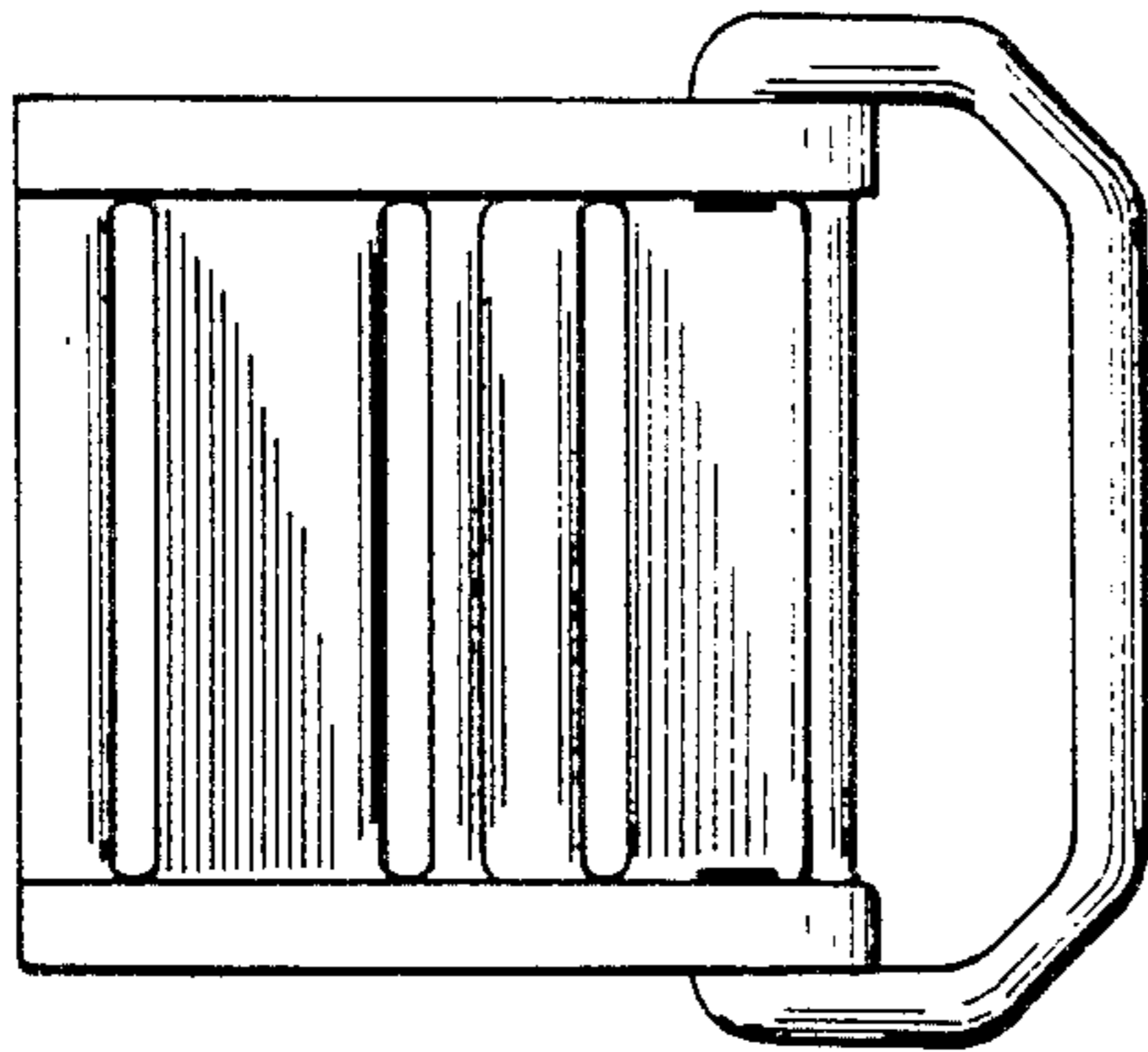


FIG. 2

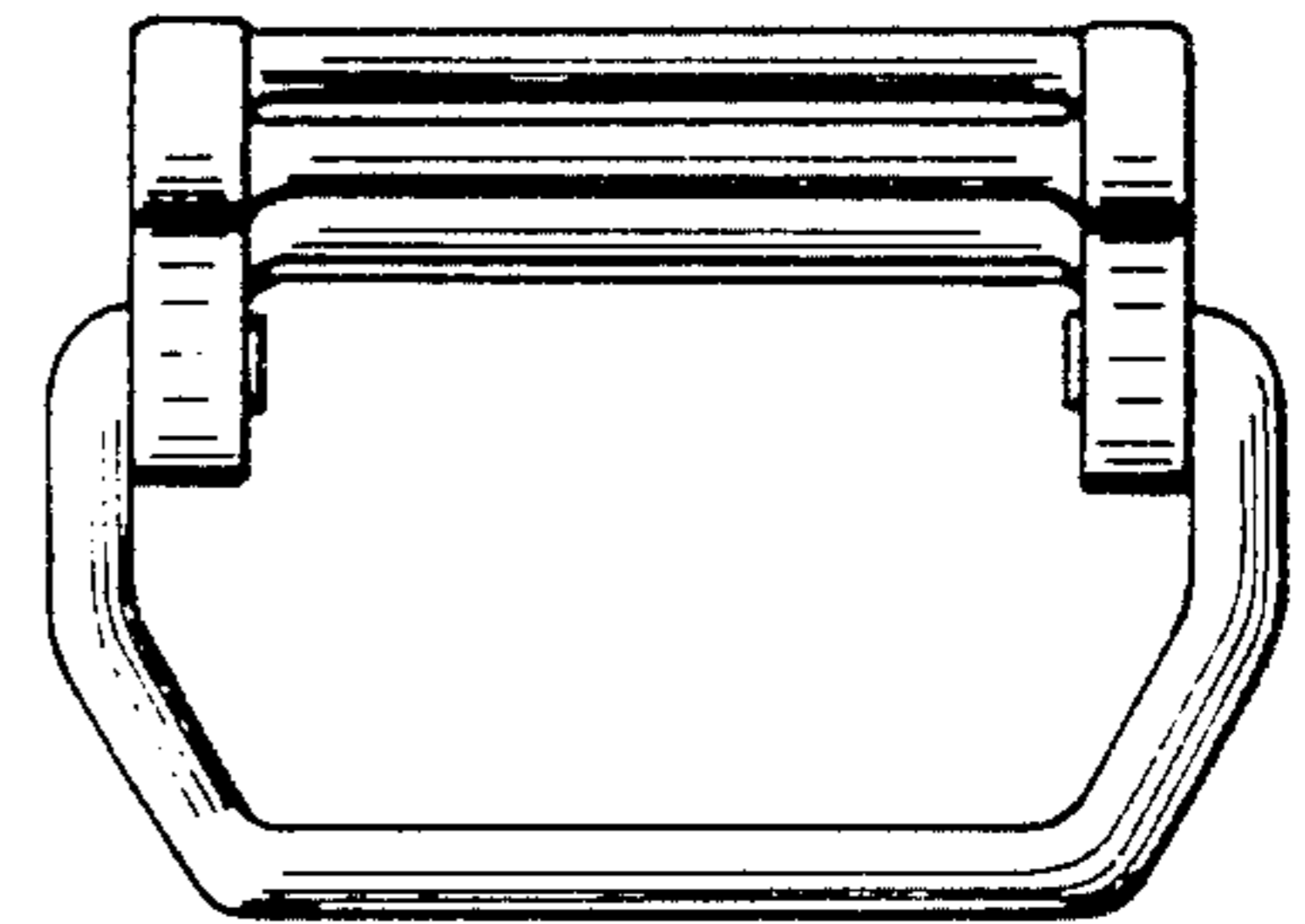


FIG. 5

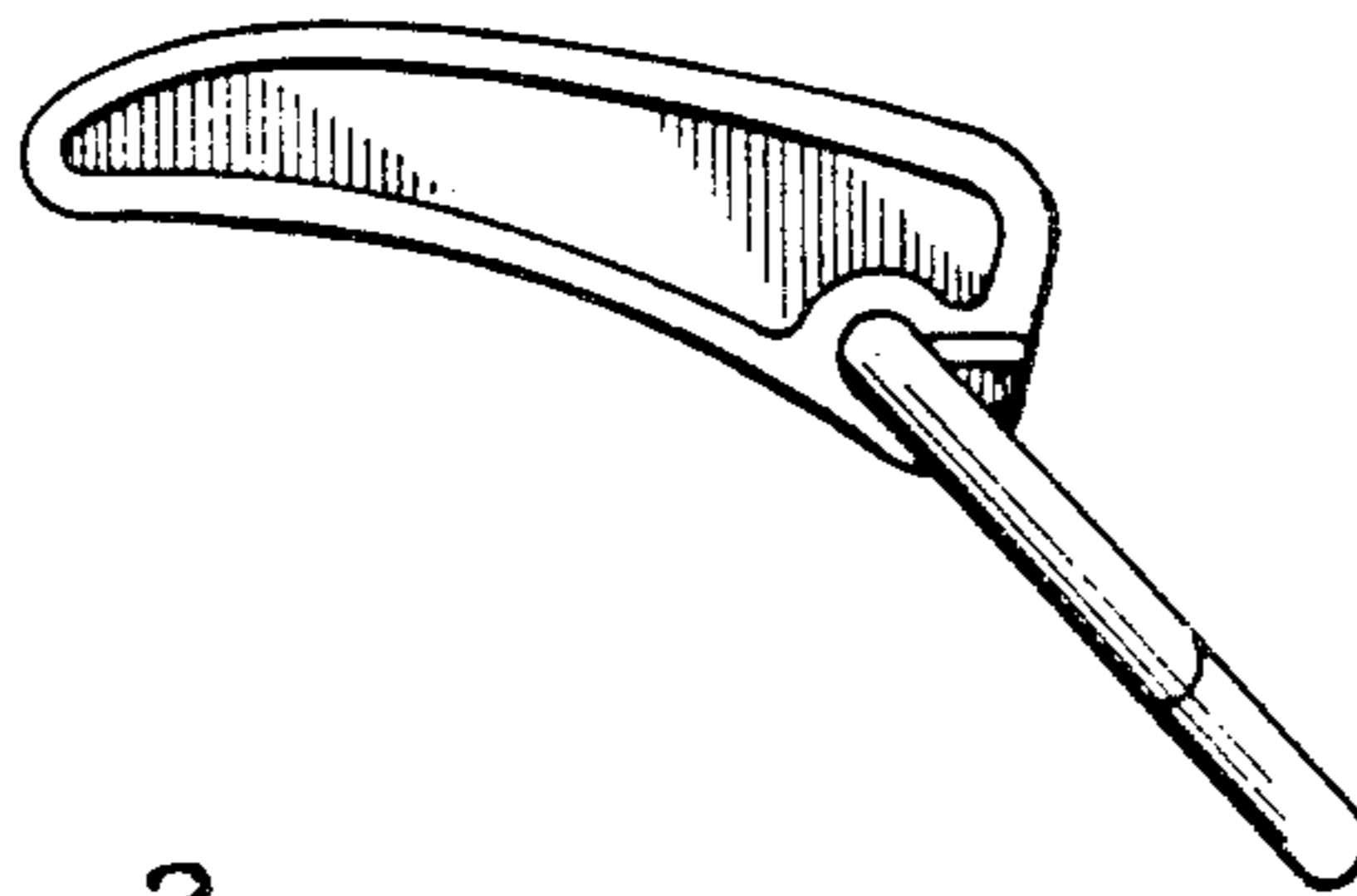


FIG. 3

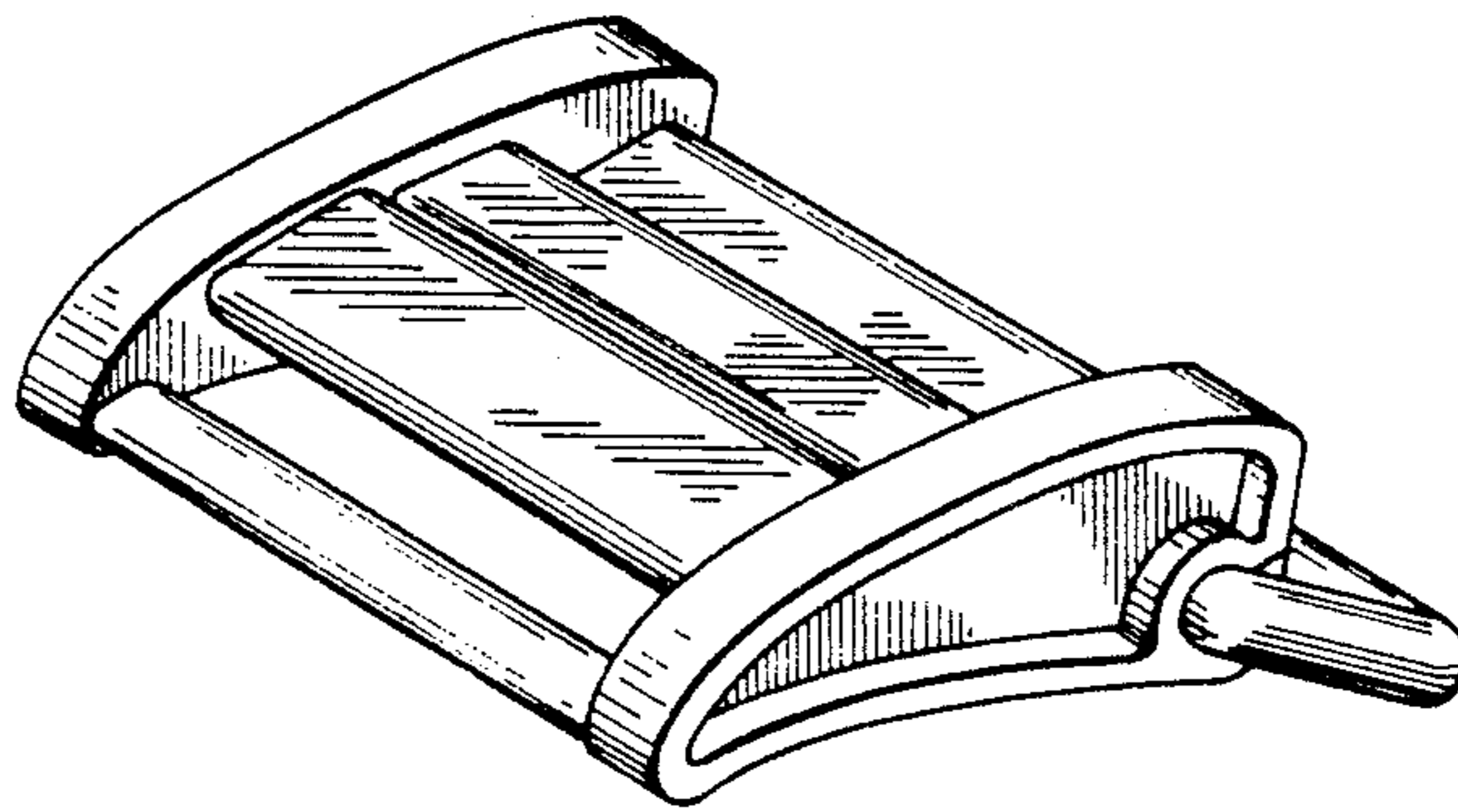


FIG. 6

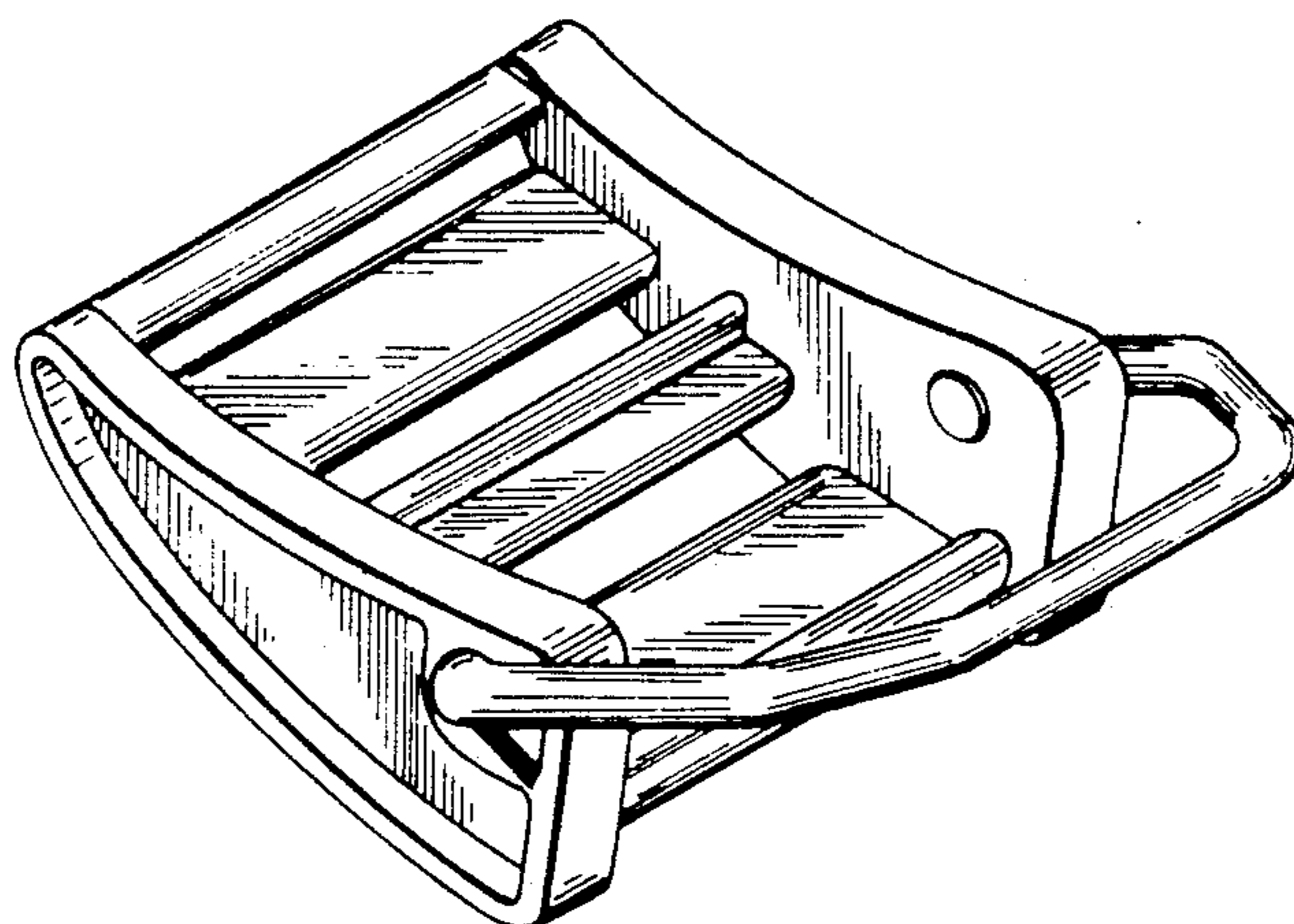


FIG. 7