

[54] CART FOR HOLDING ROLLS OF WIRE

[76] Inventors: Gary E. Smith, 21620 Prospect Ct., Hayward, Calif. 94541; Edward D. Parks, 7755 Fair Oaks Dr., Pleasanton, Calif. 94566

[\*\*] Term: 14 Years

[21] Appl. No.: 123,409

[22] Filed: Feb. 21, 1980

[52] U.S. Cl. .... D34/21

[58] Field of Search ..... D12/29, 25; 280/47.34, 280/47.35, 79.3; D34/17, 21

[56] References Cited

FOREIGN PATENT DOCUMENTS

2178480 11/1973 France ..... 280/47.35

OTHER PUBLICATIONS

Materials Handling Equipment, ©1957, p. 35, Spool Cart, center right side of page.

Primary Examiner—James M. Gandy

[57] CLAIM

The ornamental design for a cart for holding rolls of wire, as shown and described.

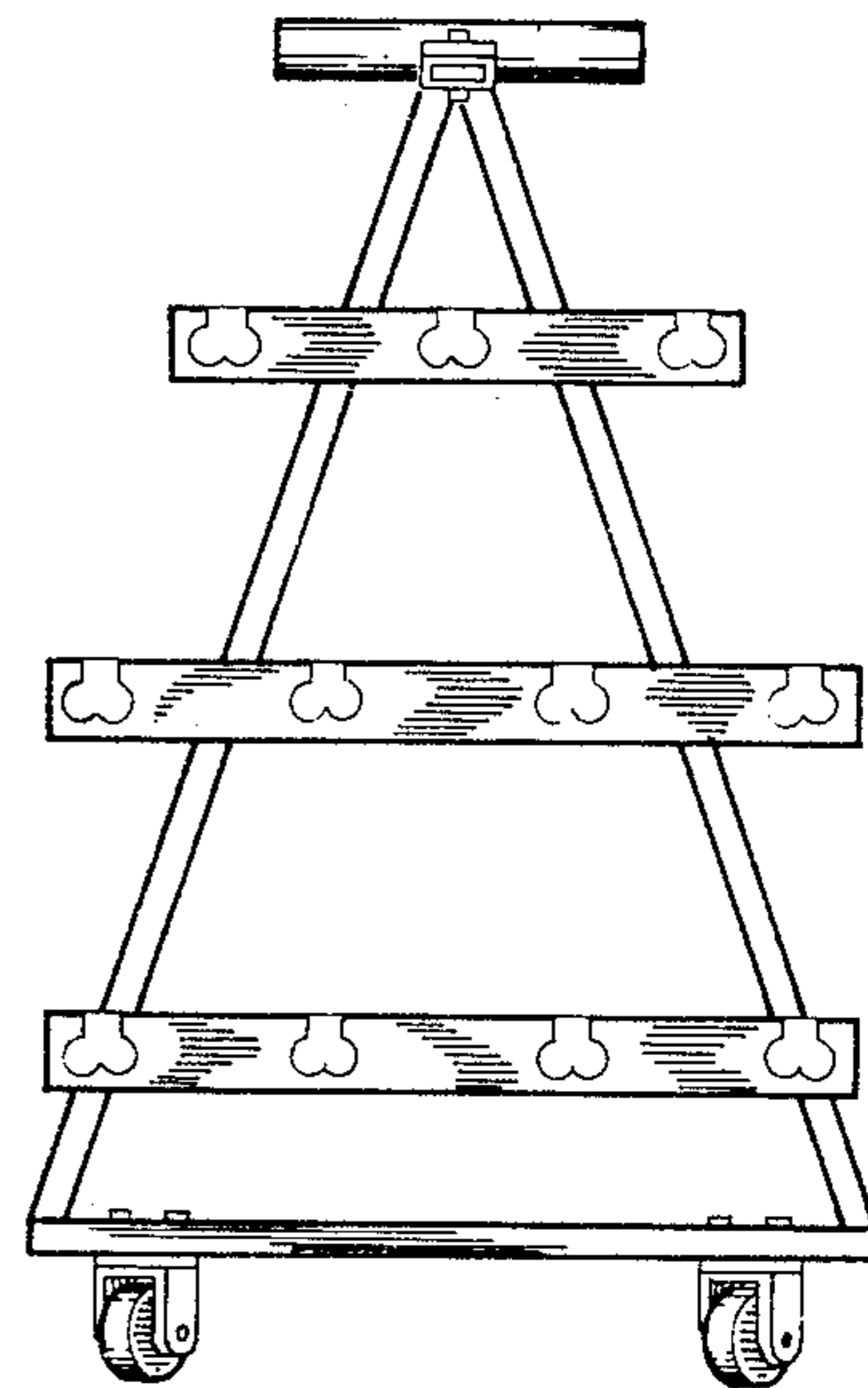
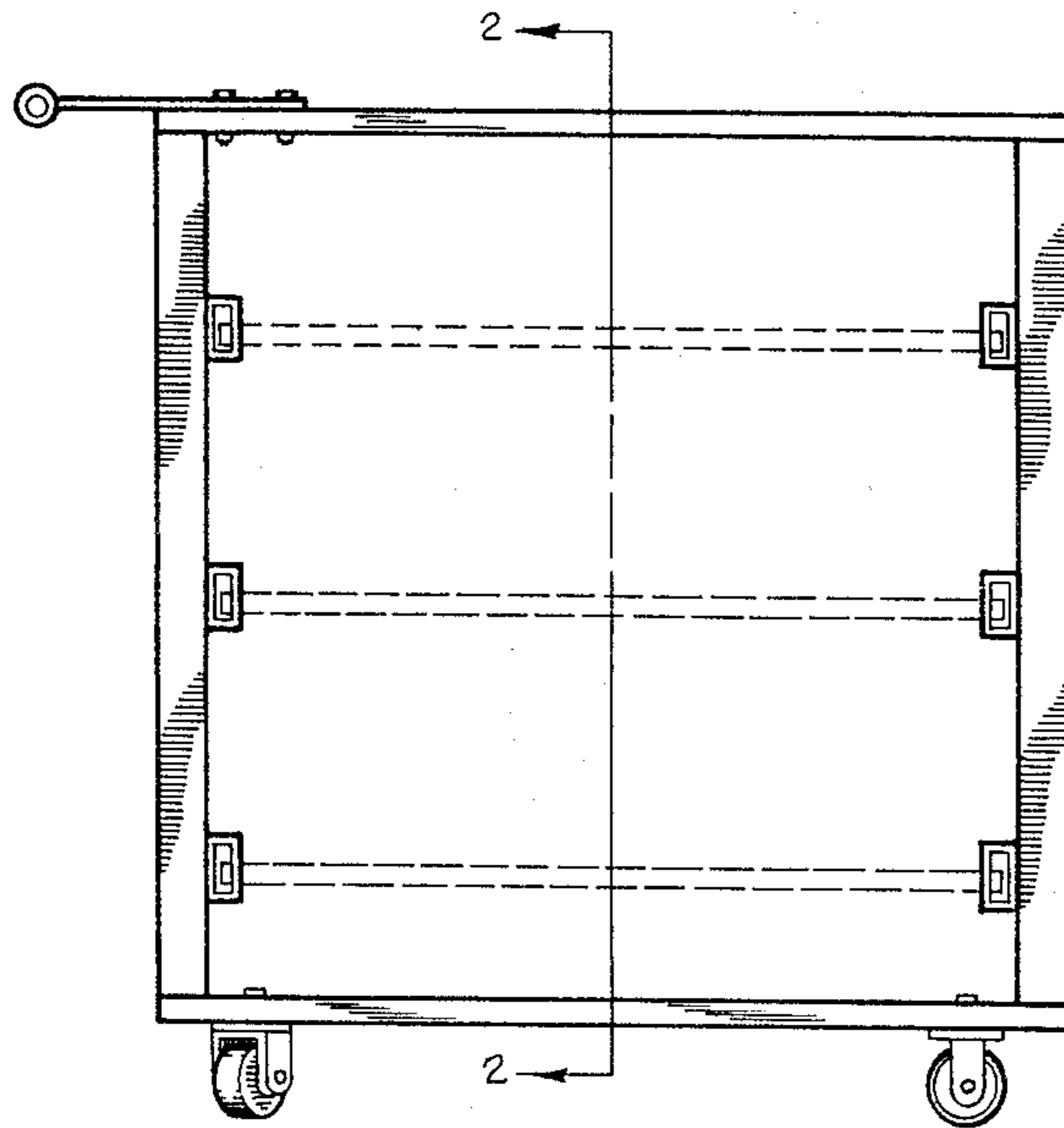
DESCRIPTION

FIG. 1 is a side elevation view of a cart for holding rolls of wire showing our new design the opposite side being a mirror image thereof, it being understood that the broken lines are for illustrative purposes only;

FIG. 2 is a sectional view thereof taken along line 2—2 in FIG. 1;

FIG. 3 is a right end elevation view of FIG. 1, the left end being substantially a mirror image thereof; and

FIG. 4 is a top plan view thereof.



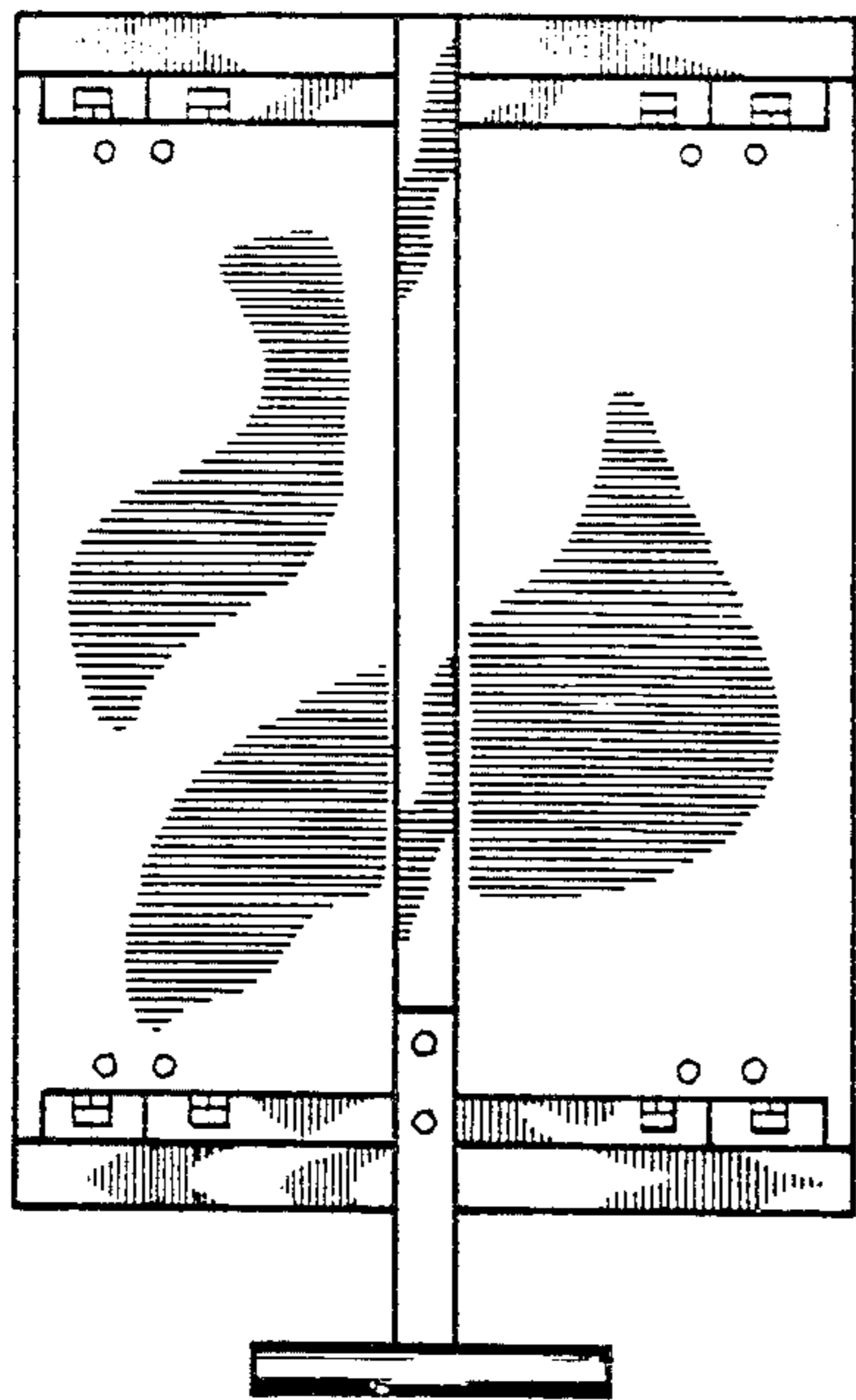


FIG. 4

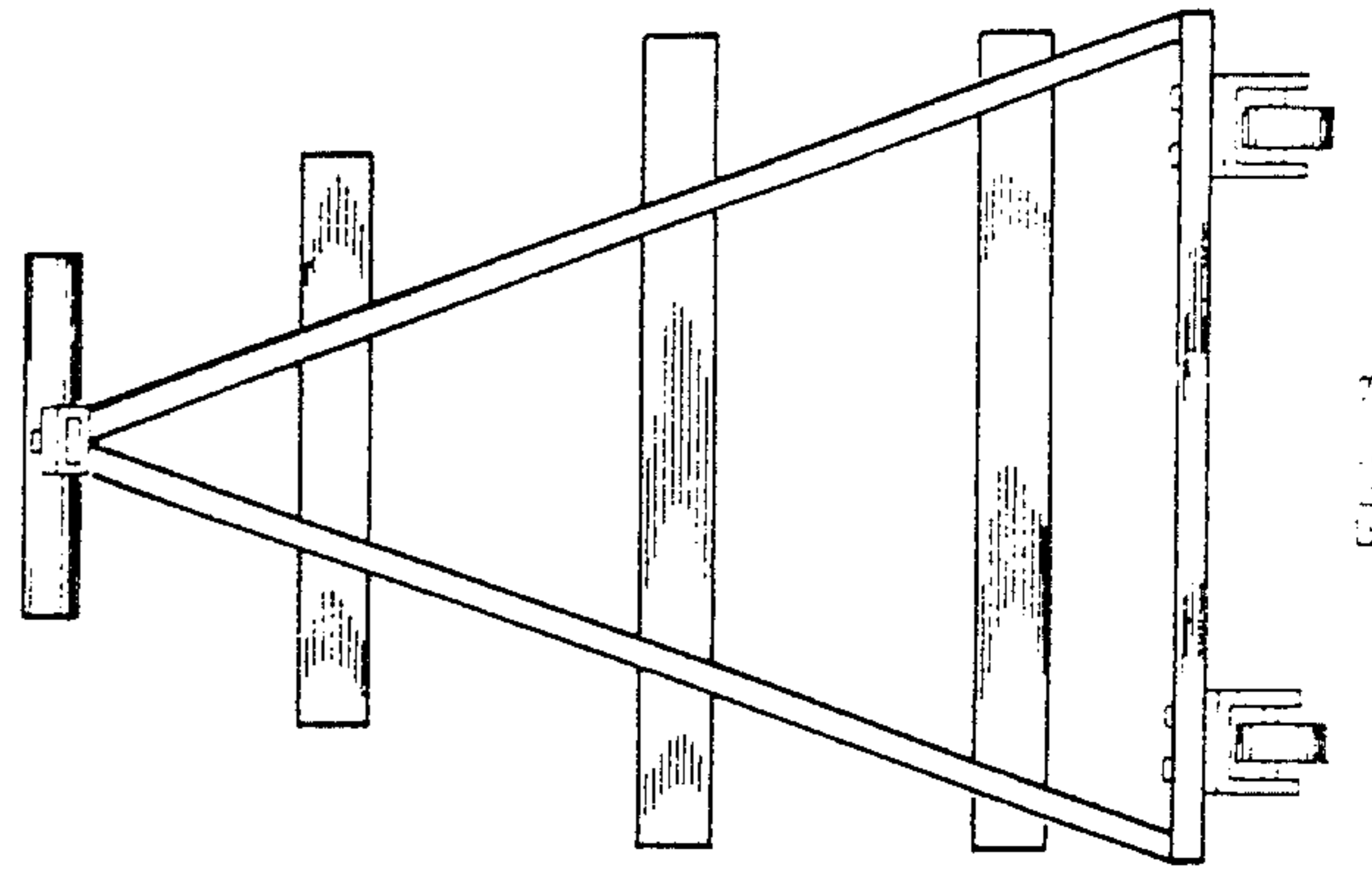


FIG. 3

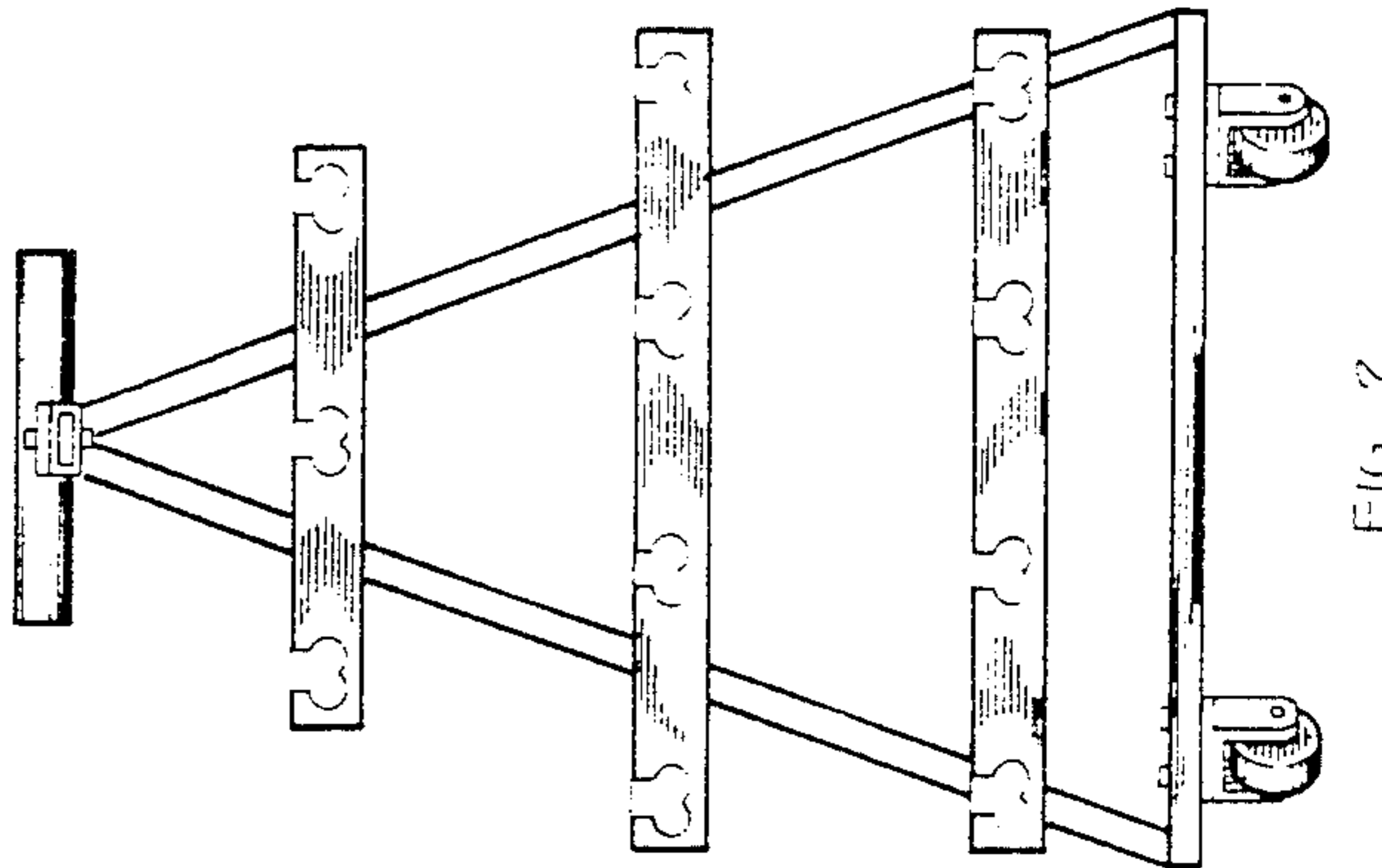


FIG. 2

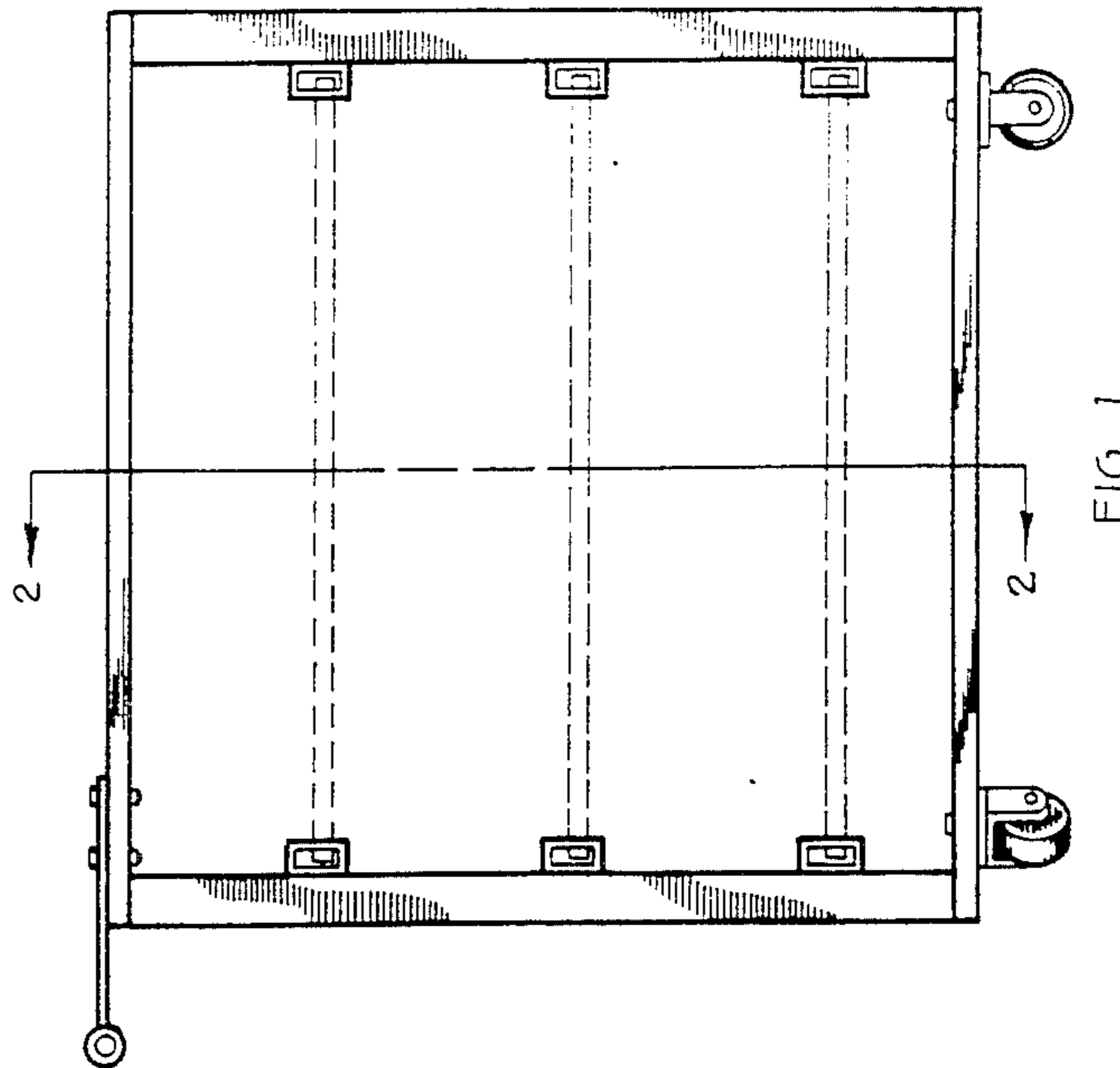


FIG. 1