

[54] STATIONARY REFRESHMENT STAND

[76] Inventor: George Perry, 108 Mitchell Pl.,  
Daytona Beach, Fla. 32108

[\*\*] Term: 14 Years

[21] Appl. No.: 484,530

[22] Filed: Apr. 13, 1983

[52] U.S. Cl. .... D25/10; D25/16;  
D25/19

[58] Field of Search ..... D7/301, 334; D25/1,  
D25/7, 10, 11, 13, 16, 18, 19, 31, 32, 56

[56] References Cited

U.S. PATENT DOCUMENTS

- D. 64,743 5/1924 Gerson ..... D25/10
- D. 65,332 7/1924 Fazio ..... D25/10 X
- D. 68,981 12/1925 McInroy ..... D25/10 X
- D. 75,233 5/1928 Geisenberger et al. .... D25/16 X

- D. 181,254 10/1957 Heffelfinger ..... D25/16 X
- D. 245,866 9/1977 Schuldenfrei et al. .... D25/10
- D. 262,912 2/1982 Therien et al. .... D25/1 X

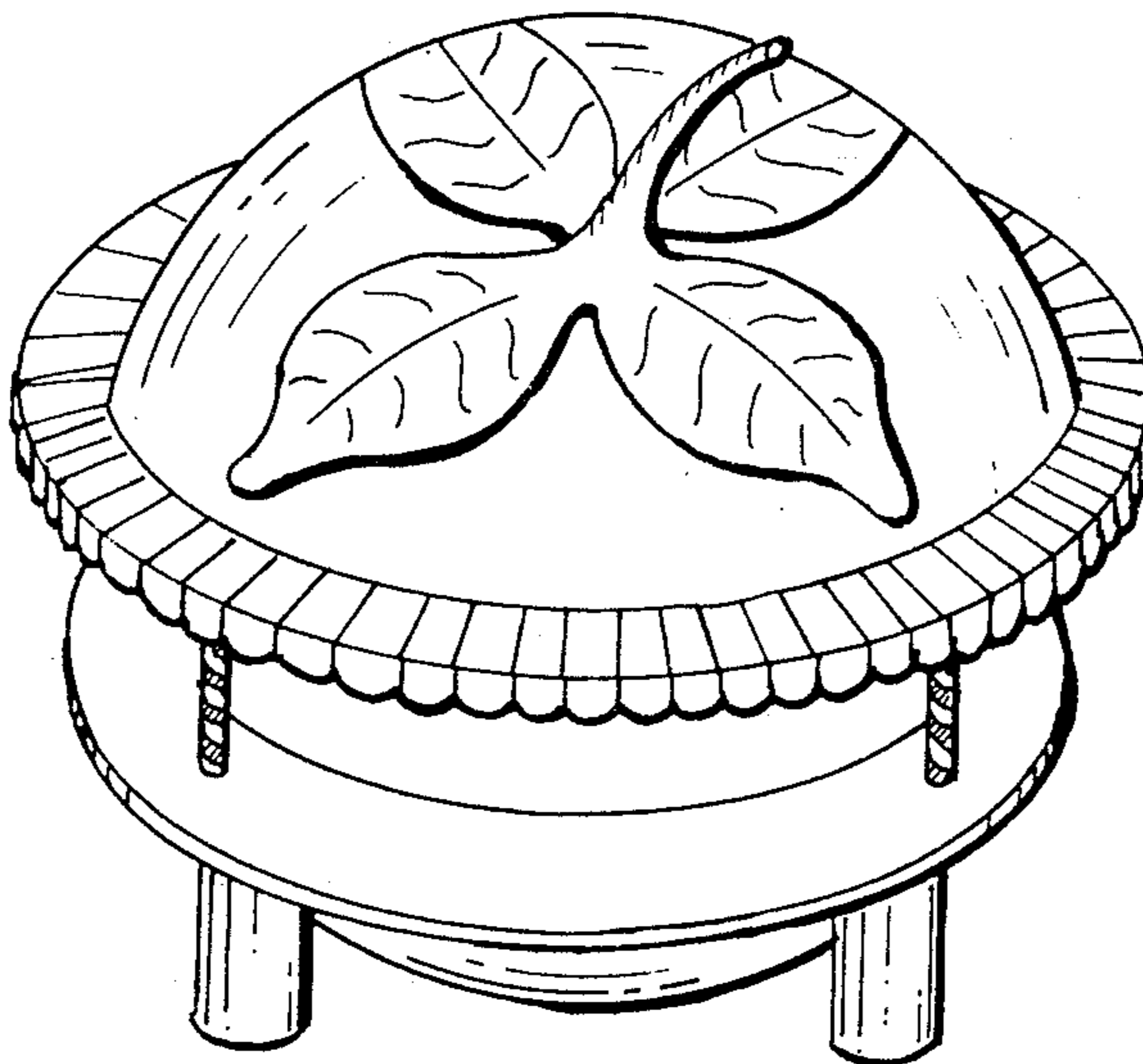
Primary Examiner—A. Hugo Word  
Attorney, Agent, or Firm—Duckworth, Allen, Dyer &  
Pettis

[57] CLAIM

The ornamental design for a stationary refreshment stand, as shown.

DESCRIPTION

FIG. 1 is a perspective view of a stationary refreshment stand showing my new design;  
FIG. 2 is a right side elevation view thereof;  
FIG. 3 is a left side elevation view thereof;  
FIG. 4 is a front elevation view thereof;  
FIG. 5 is a rear elevation view thereof;  
FIG. 6 is a bottom plan view thereof; and  
FIG. 7 is a top plan view thereof.



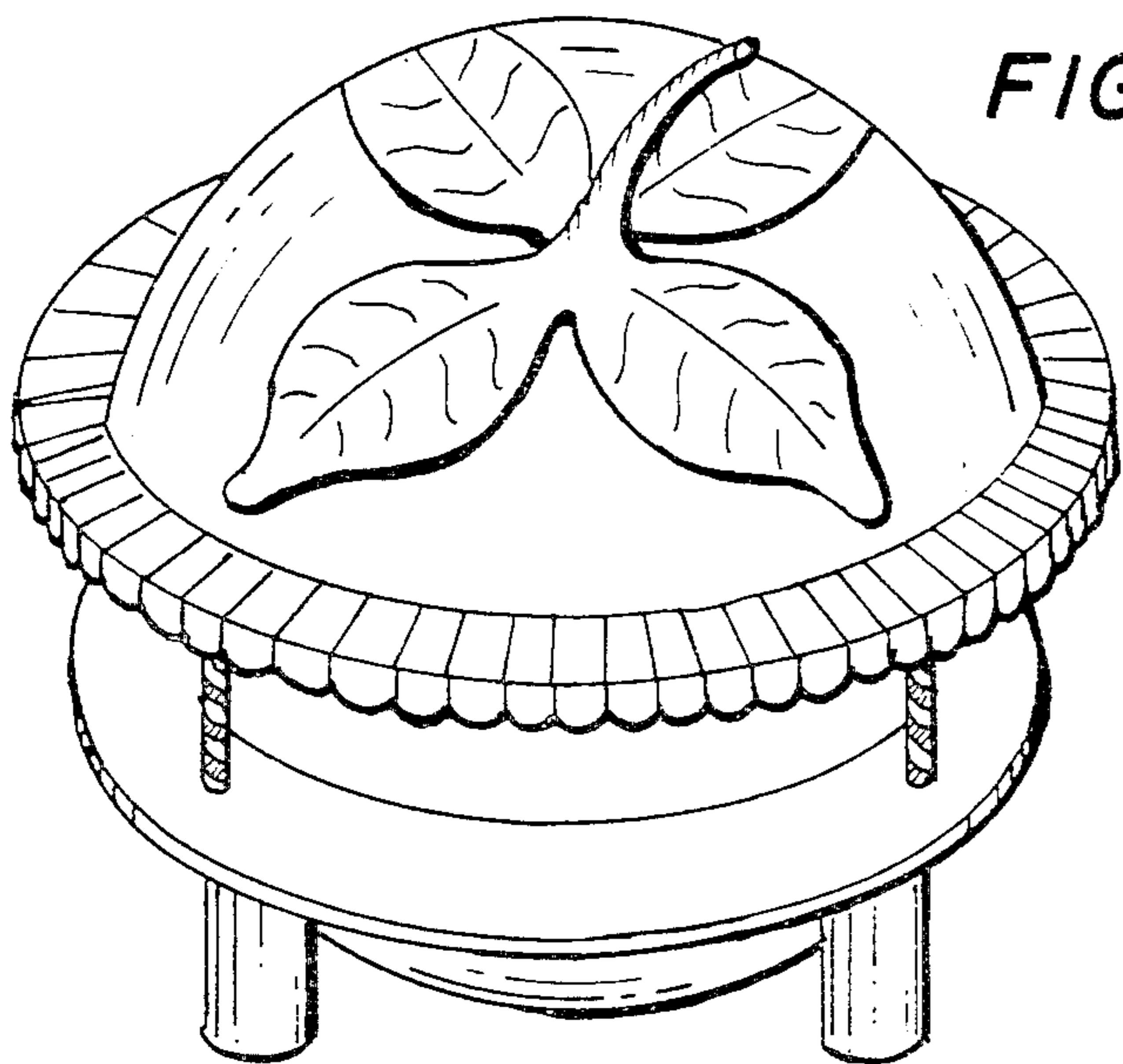


FIG. 1

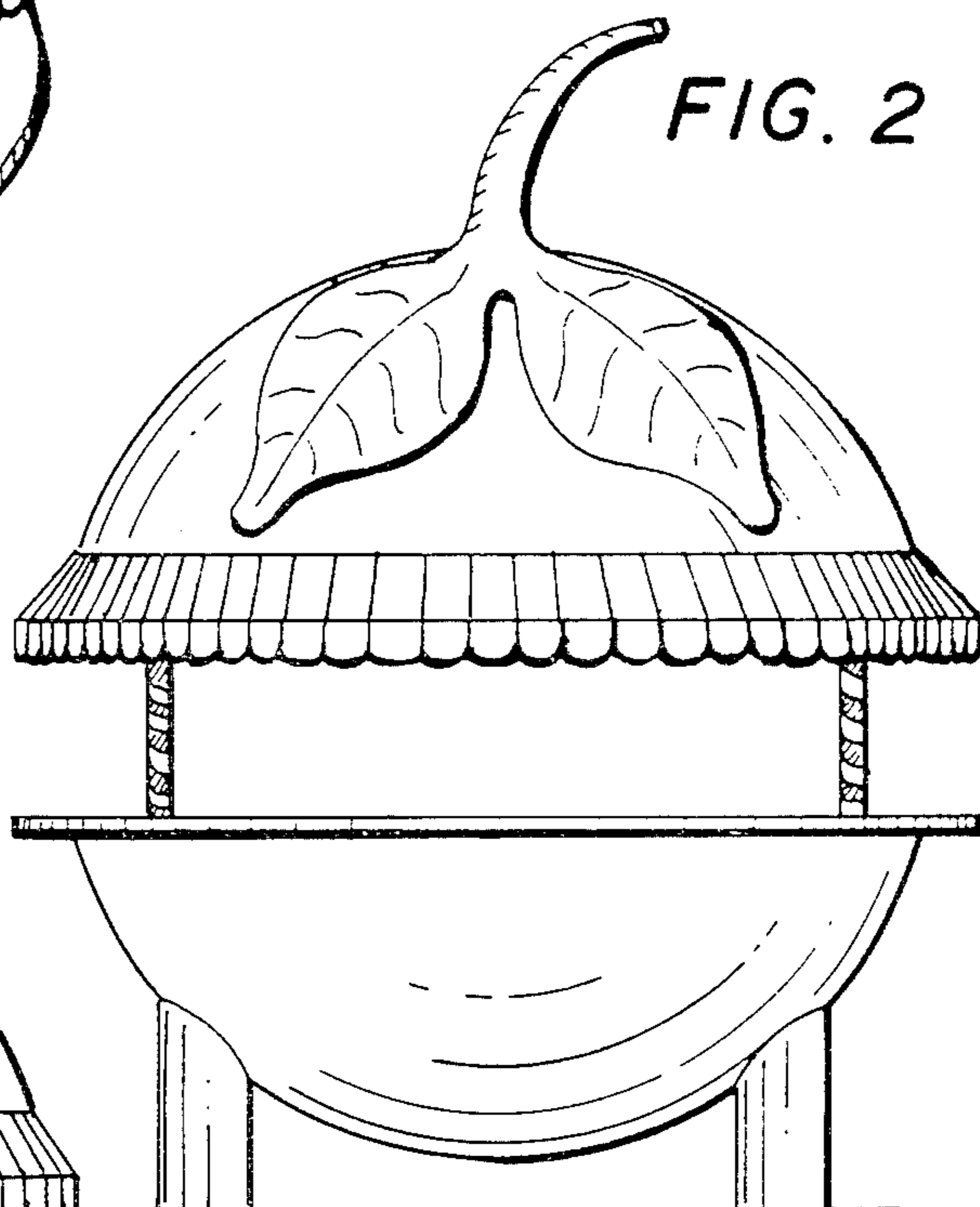


FIG. 2

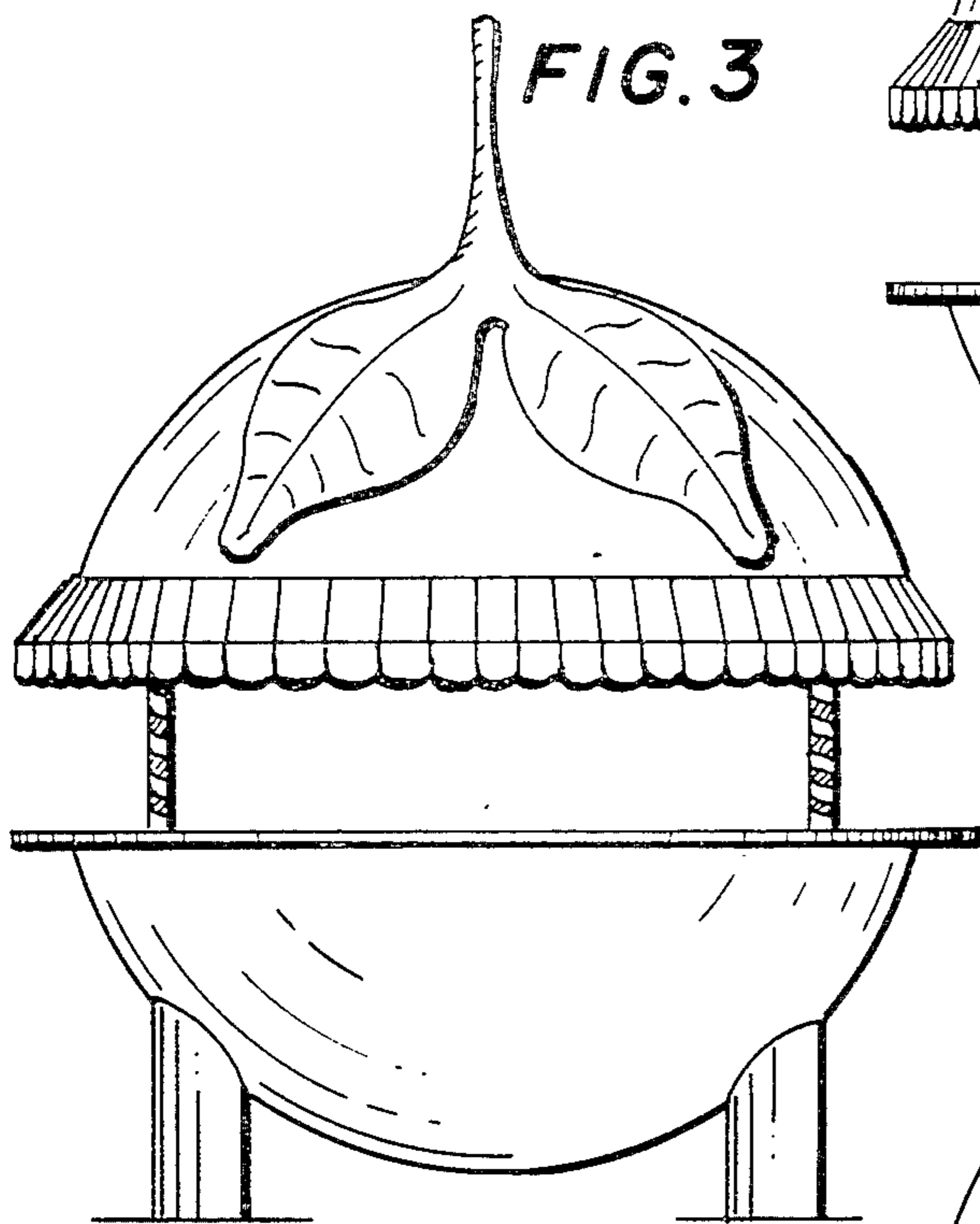


FIG. 3

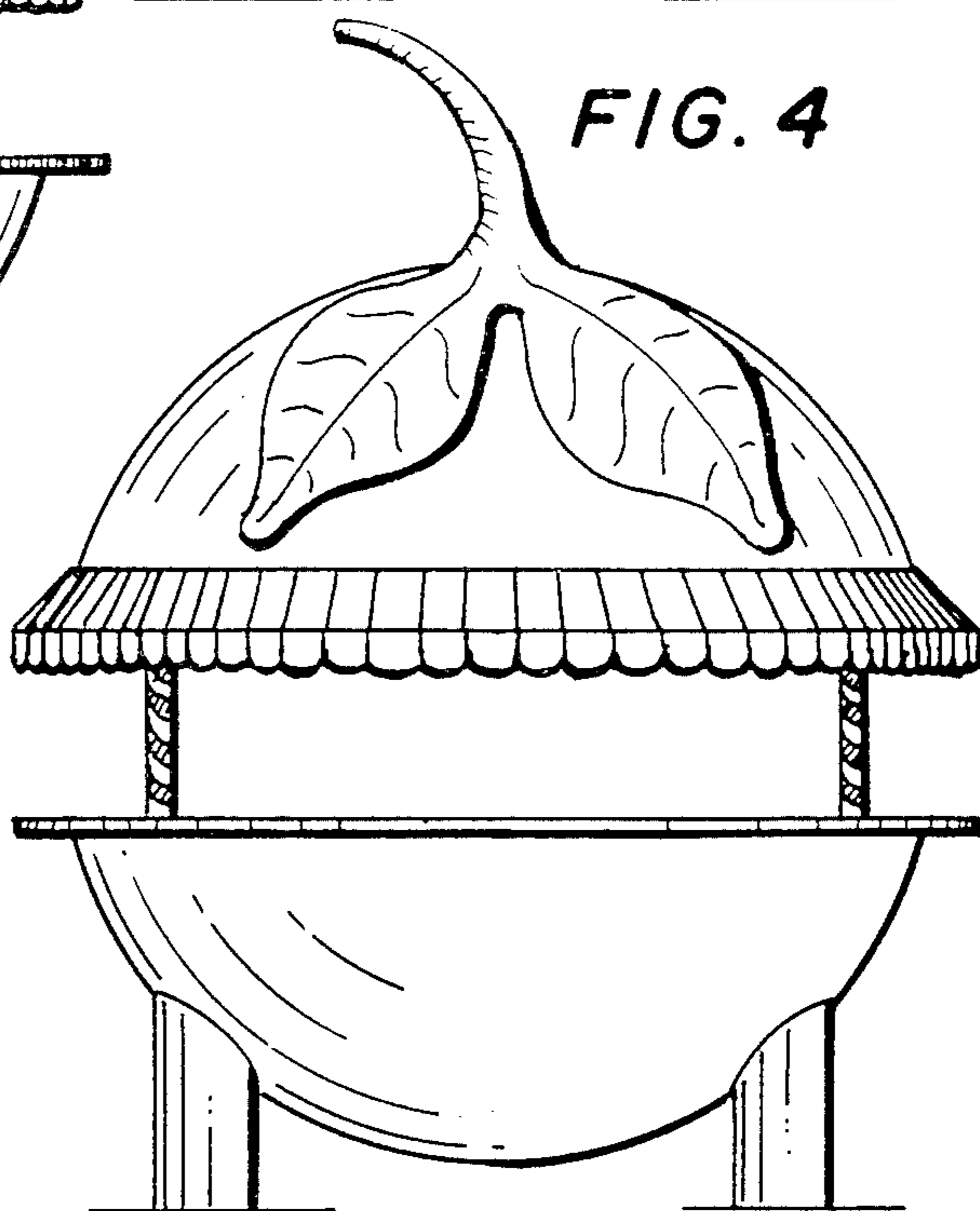


FIG. 4

