

[54] THIGH COMPONENT FOR A KNEE BRACE

[75] Inventor: Darryl L. Womack, Lakewood, Colo.

[73] Assignee: Scott Orthopedics, Inc., Denver, Colo.

[**] Term: 14 Years

[21] Appl. No.: 500,165

[22] Filed: Jun. 1, 1983

[52] U.S. Cl. D24/64

[58] Field of Search D24/64; 128/80, 87, 128/DIG. 15, 88, 89, 85, DIG. 20

[56] References Cited

U.S. PATENT DOCUMENTS

- D. 265,248 6/1982 Grigorieff D24/64 X
- D. 269,379 6/1983 Bledsoe D24/64

OTHER PUBLICATIONS

Sales literature of Orthomedics for its "Ecko" knee brace.

Primary Examiner—Catherine E. Kemper
Attorney, Agent, or Firm—W. Scott Carson

[57] CLAIM

The ornamental design for a thigh component for a knee brace, as shown and described.

DESCRIPTION

FIG. 1 is a perspective view of a thigh component for a knee brace showing my new design;
 FIG. 2 is a front elevational view thereof;
 FIG. 3 is a rear elevational view thereof;
 FIG. 4 is a side elevational view thereof taken from the left of FIG. 2;
 FIG. 5 is a side elevational view thereof taken from the right of FIG. 2;
 FIG. 6 is a top plan view thereof;
 FIG. 7 is a bottom plan view thereof.

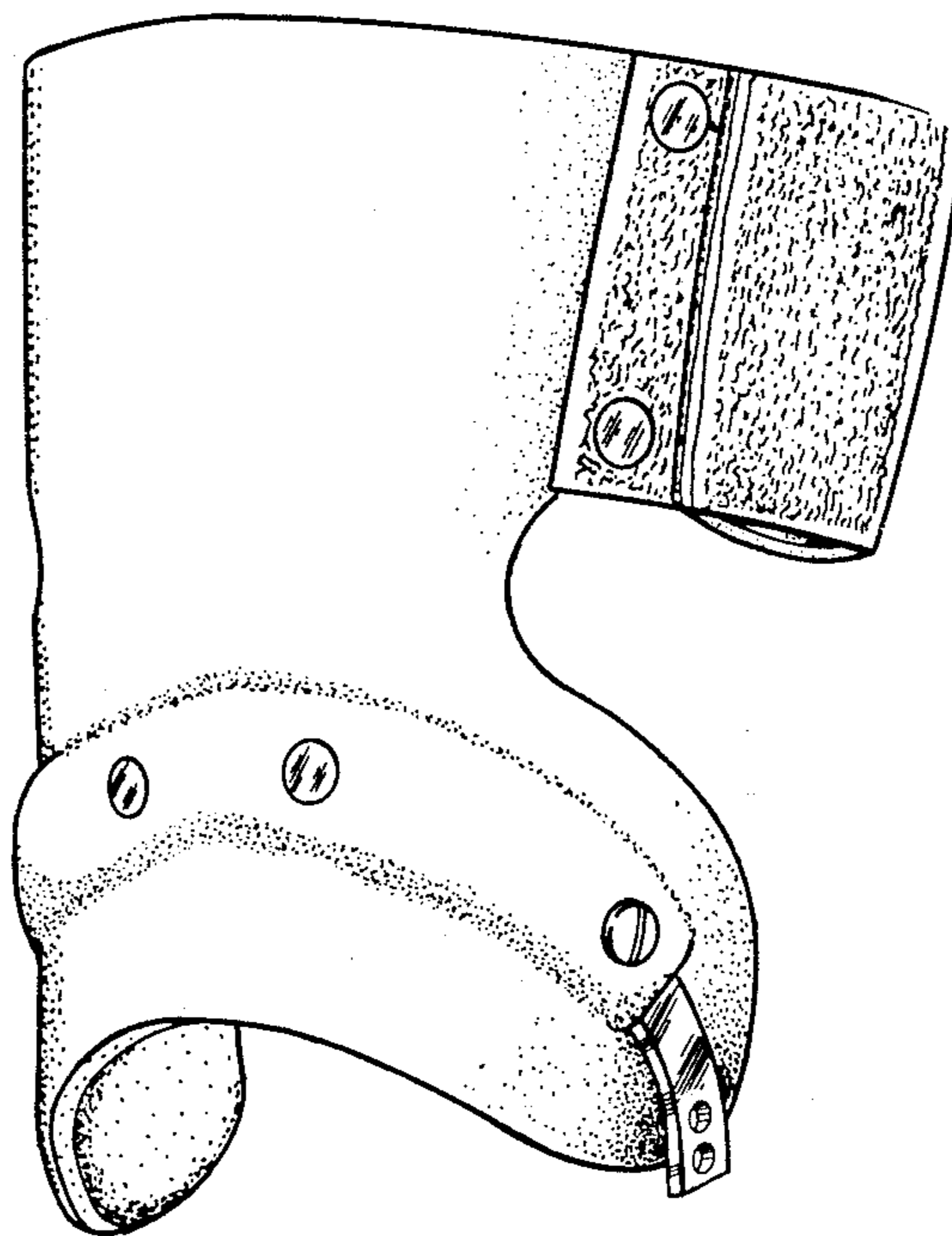


Fig. 1

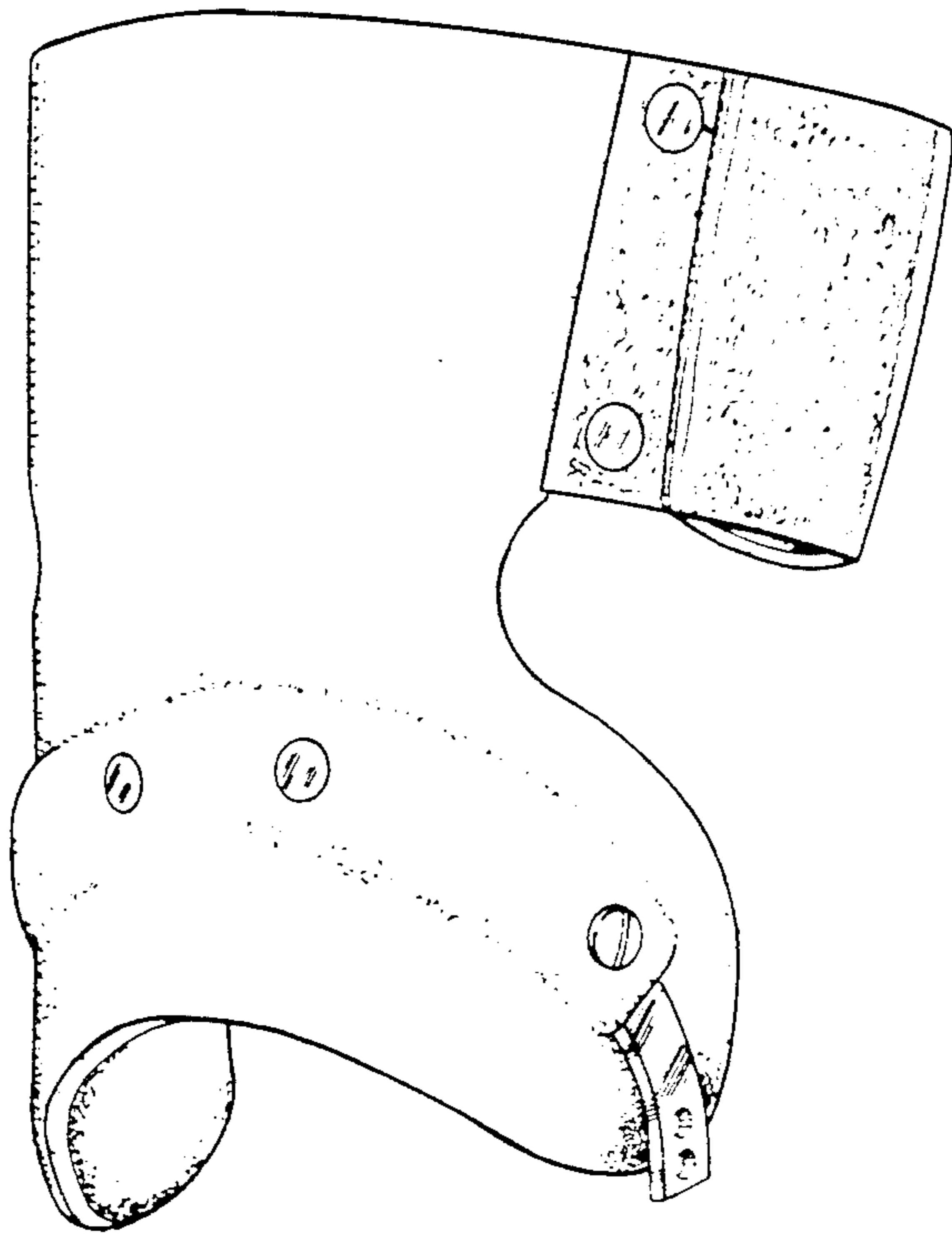


Fig. 2

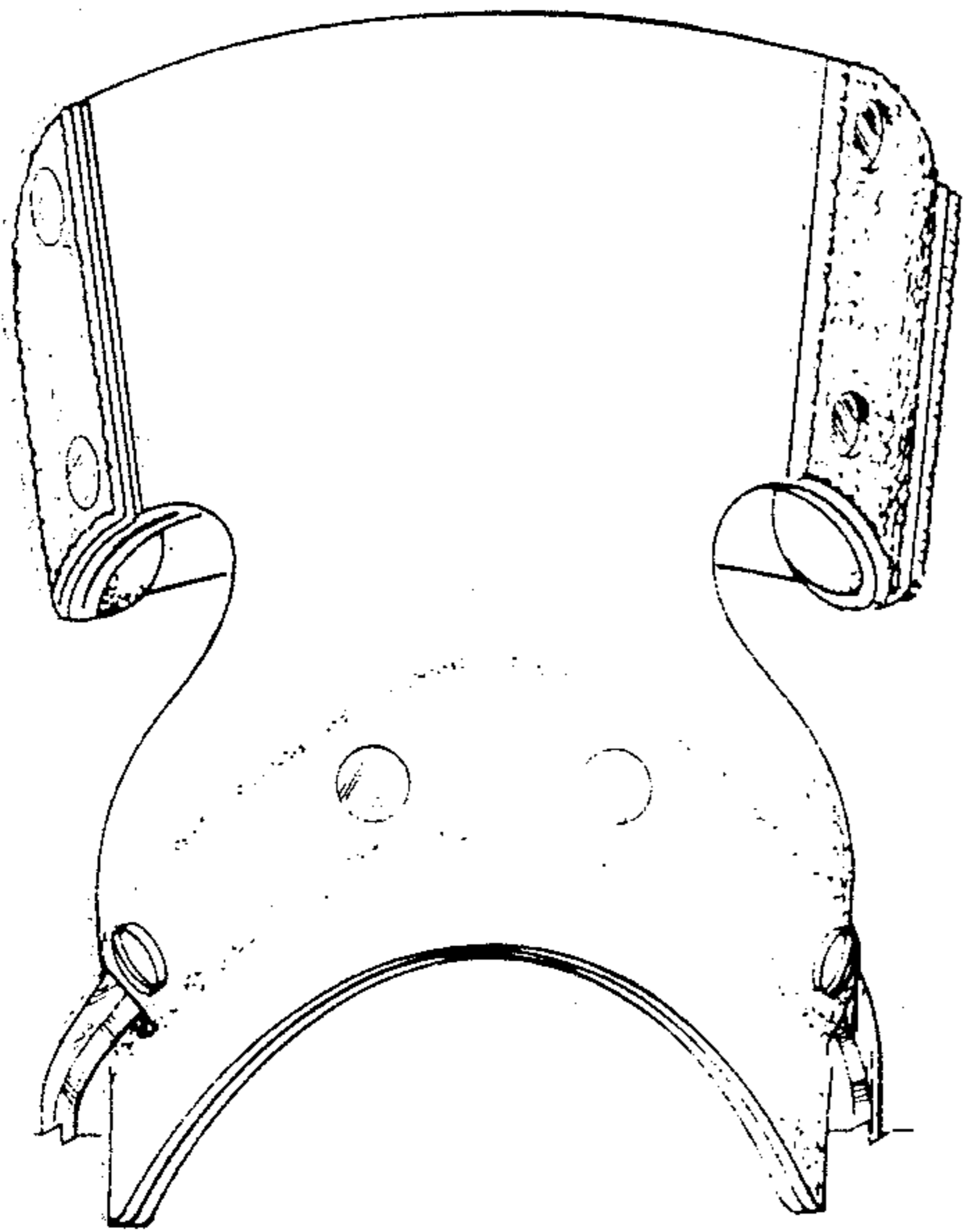


Fig. 3

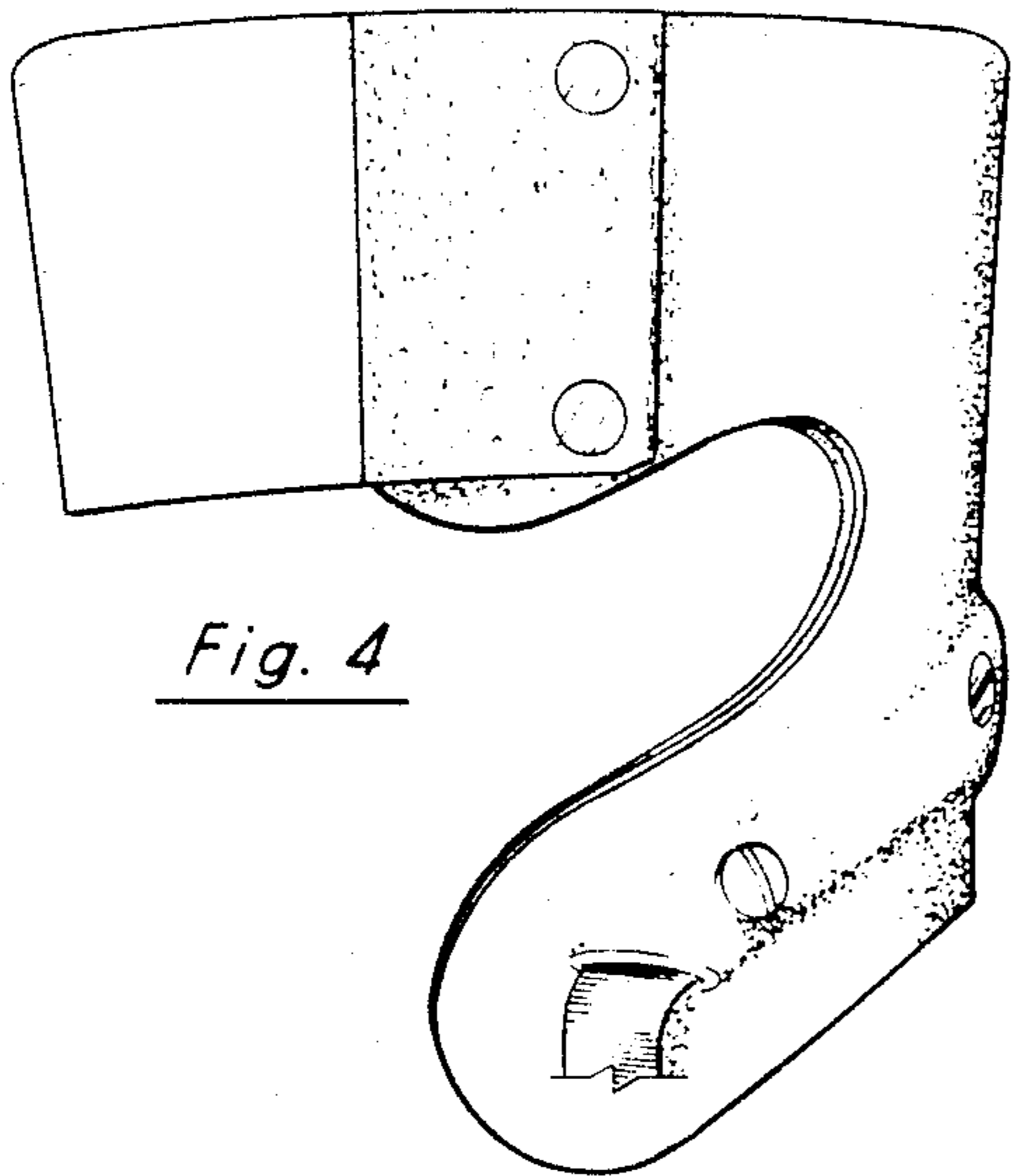
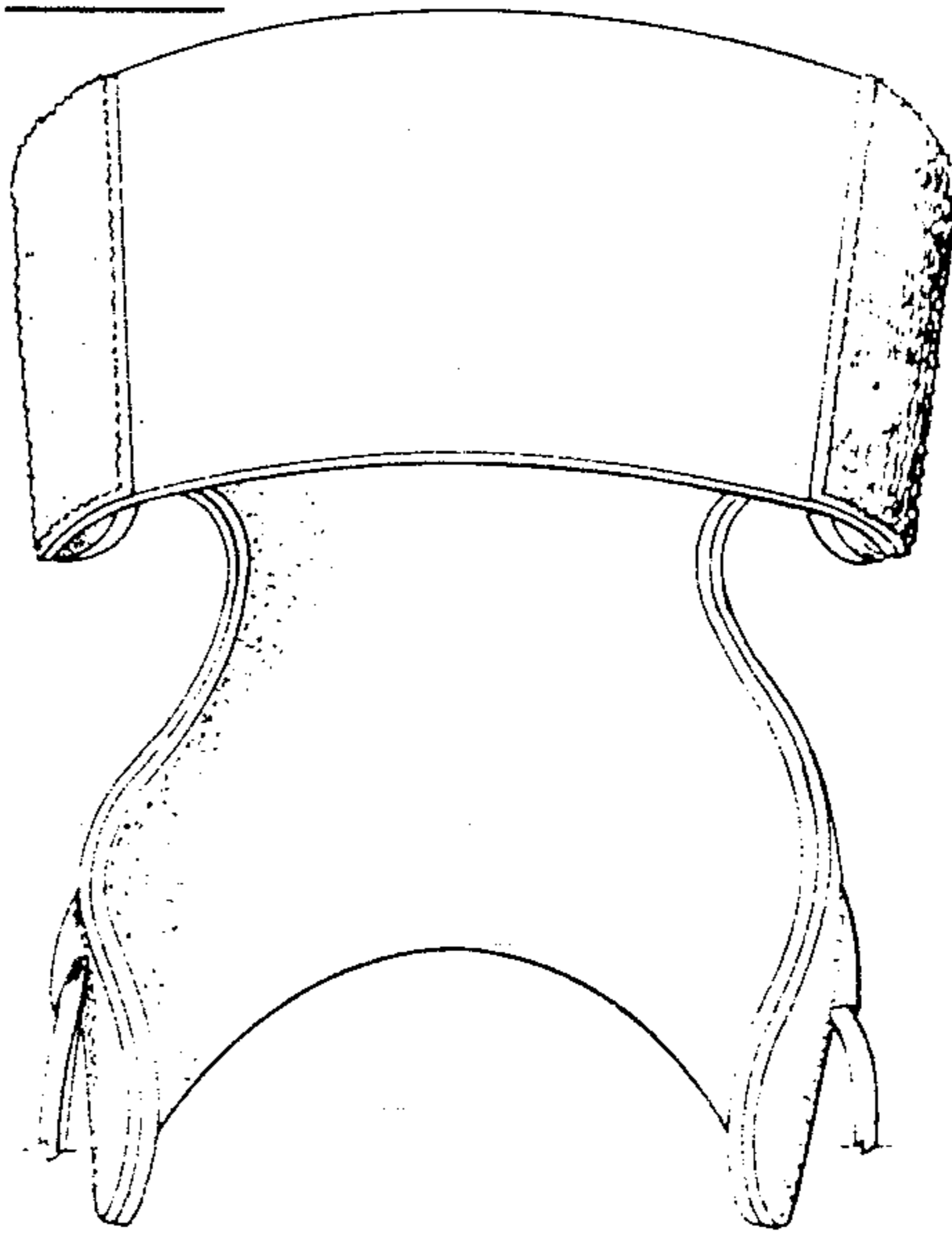


Fig. 4

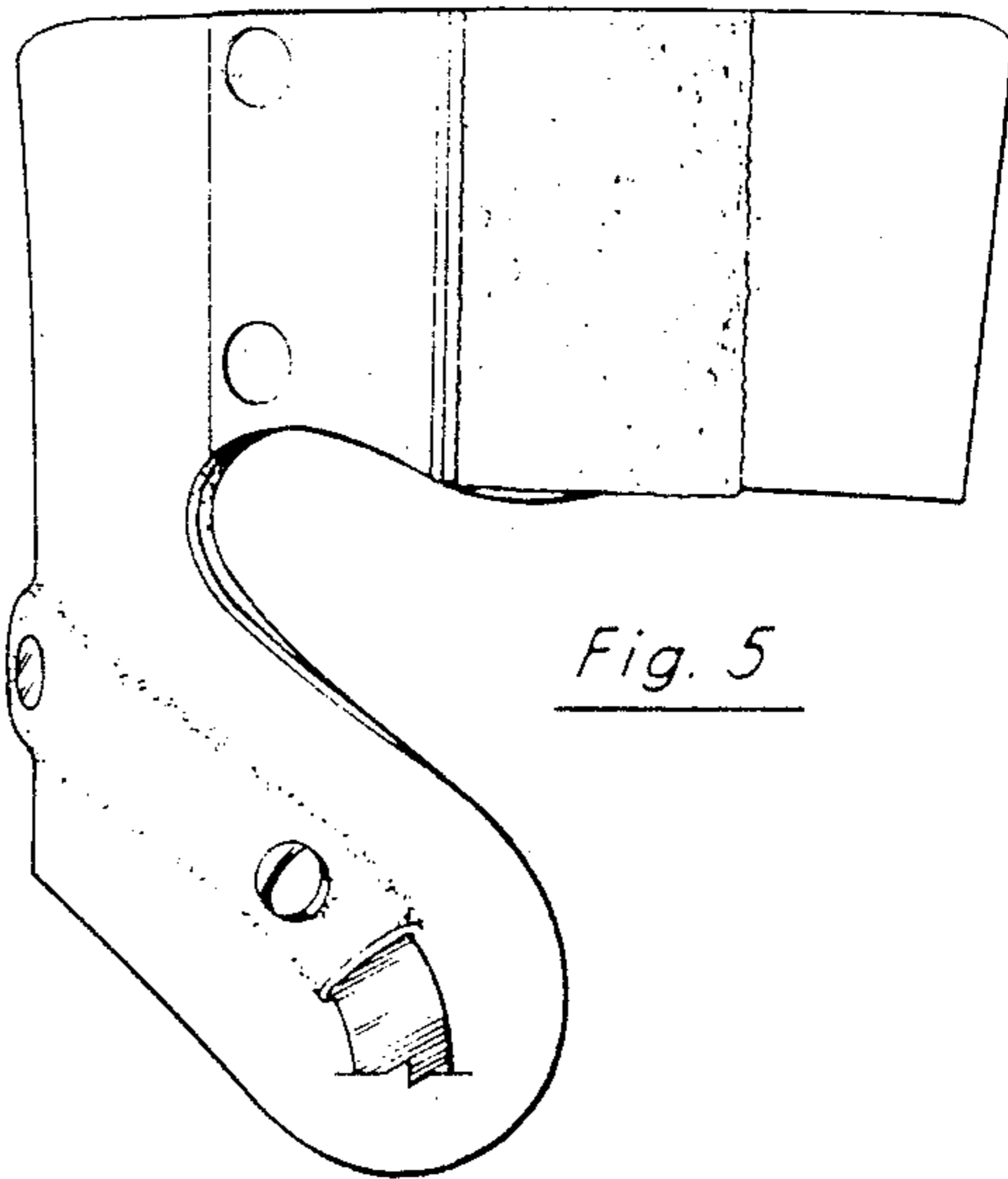


Fig. 5

Fig. 6

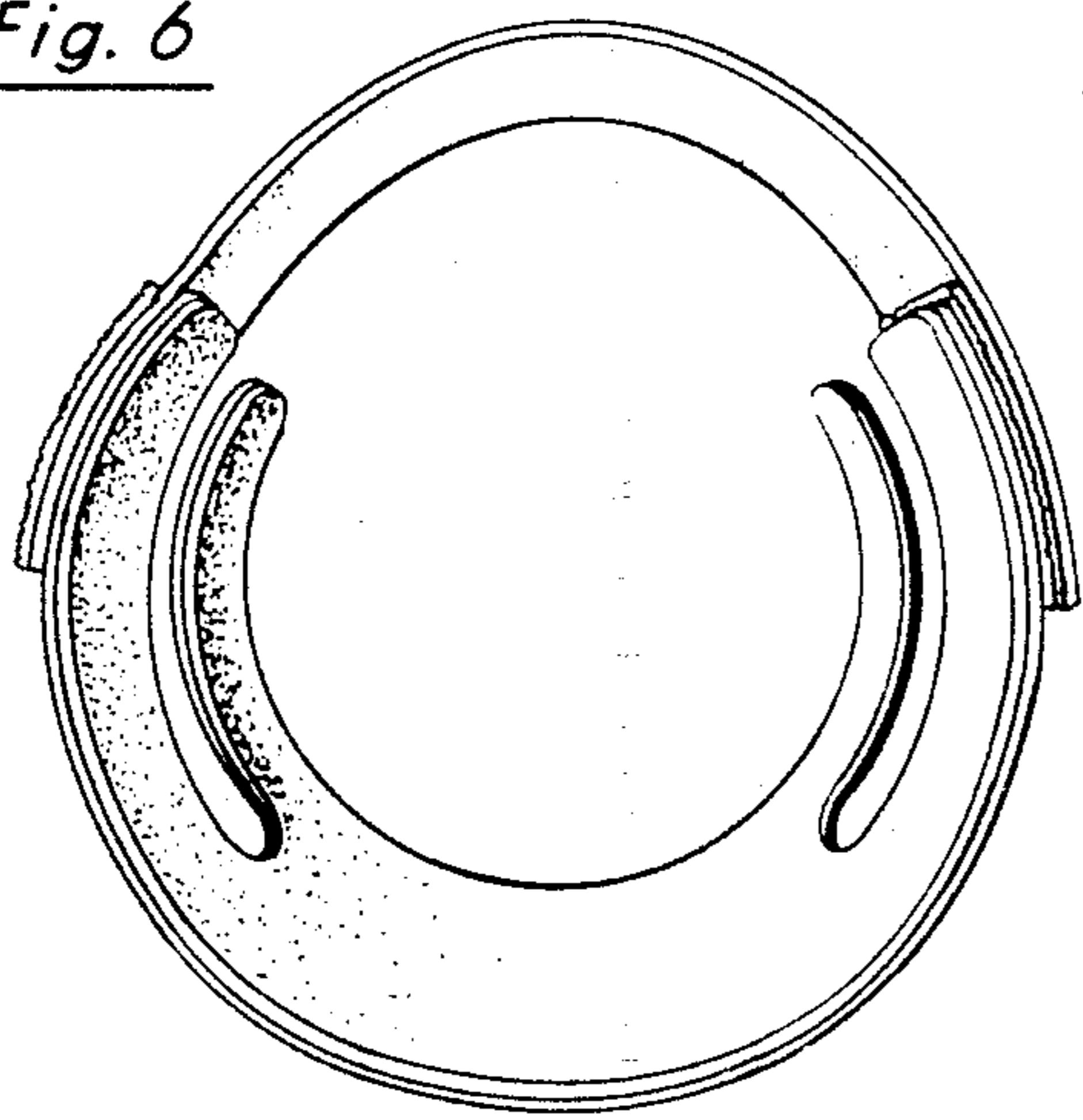


Fig. 7

