

[54] ENDOSCOPIC BITE BLOCK

[75] Inventor: Frank W. Jackson, Twillingate R.D. 3, Mechanicsburg, Pa. 17055

[73] Assignee: Frank W. Jackson, Mechanicsburg, Pa.

[**] Term: 14 Years

[21] Appl. No.: 483,397

[22] Filed: Apr. 8, 1983

[52] U.S. Cl. D24/29; 128/DIG. 26; 128/207.14; D24/62

[58] Field of Search D14/51-53, D14/59, 62; D29/7-8; D24/28-30; 128/207.14, 201.11, DIG. 1, DIG. 13, DIG. 26

[56] References Cited

U.S. PATENT DOCUMENTS

1,986,988	1/1935	Treadwell	D24/62
2,820,457	1/1958	Phillips	128/DIG. 26
2,908,269	10/1959	Cheng	128/DIG. 26
3,924,636	12/1975	Addison	128/207.14

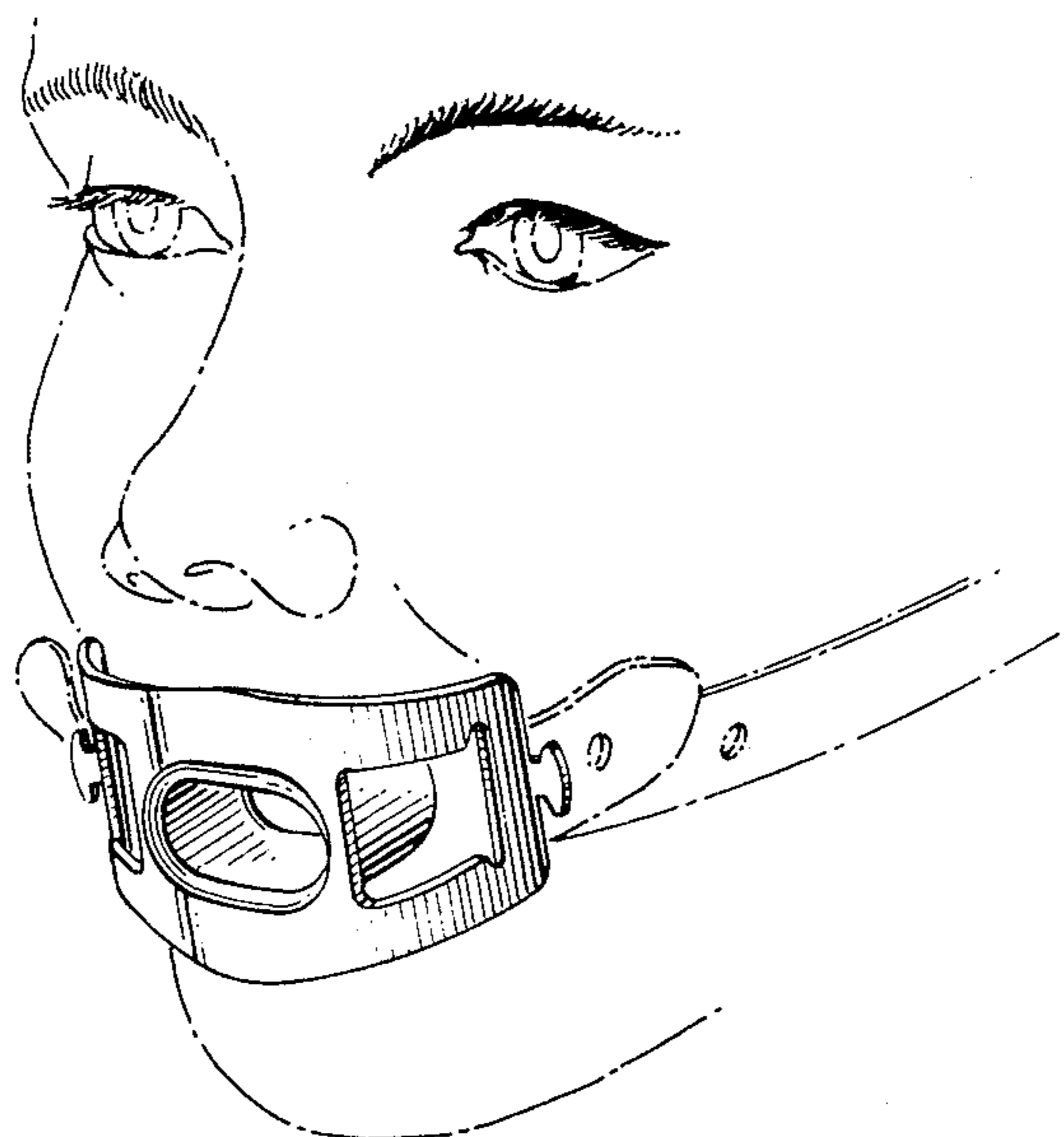
Primary Examiner—Wallace R. Burke
Assistant Examiner—Brian N. Vinson
Attorney, Agent, or Firm—Eugene Chovanes

[57] CLAIM

The ornamental design for an endoscopic bite block, substantially as shown and described.

DESCRIPTION

FIG. 1 is a perspective view of an endoscopic bite block, showing my new design;
FIG. 2 is a front elevational view thereof;
FIG. 3 is a right side elevational view thereof;
FIG. 4 is a bottom plan view thereof;
FIG. 5 is a rear elevational view thereof; and
FIG. 6 is a transverse sectional view thereof.



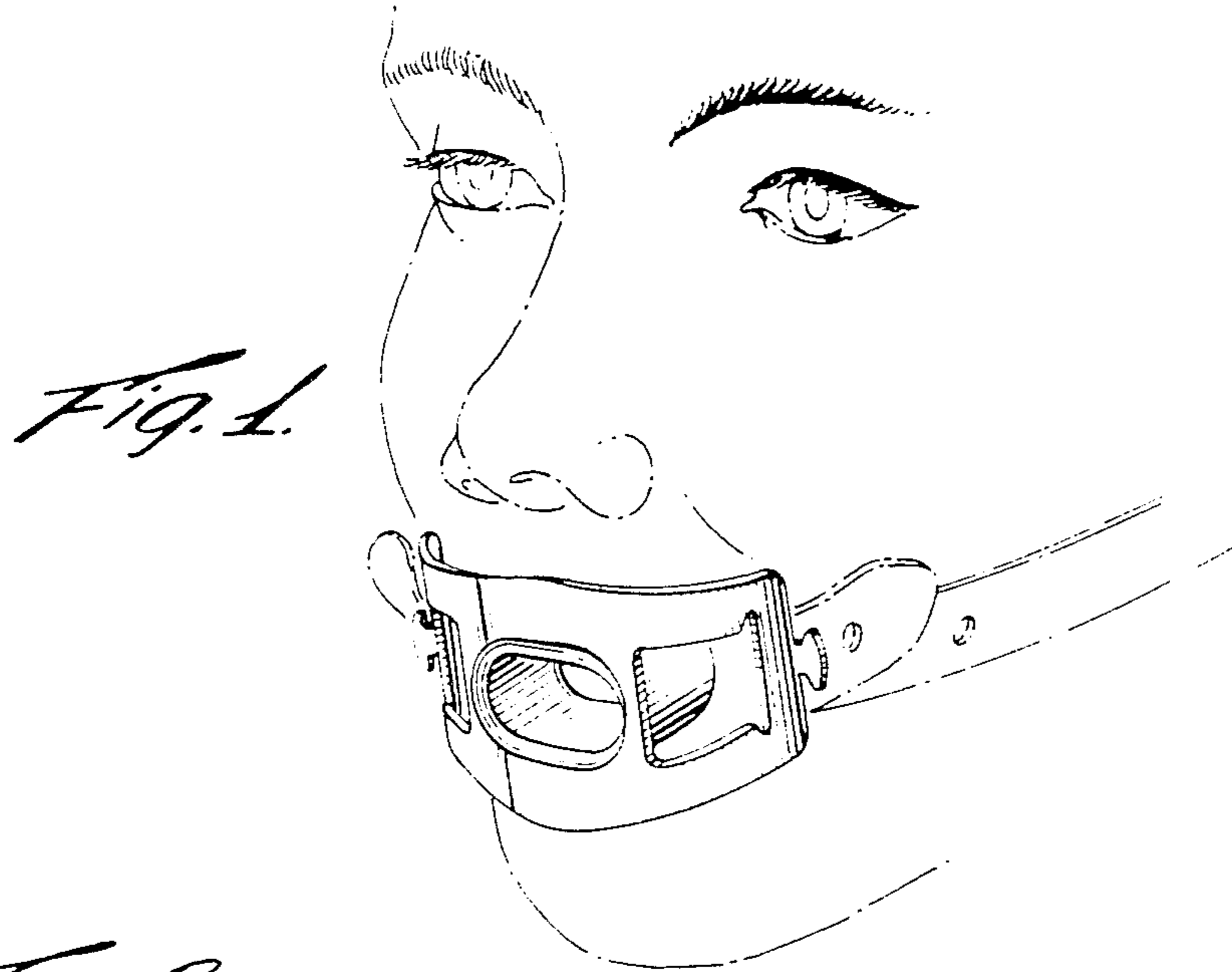


Fig. 2.

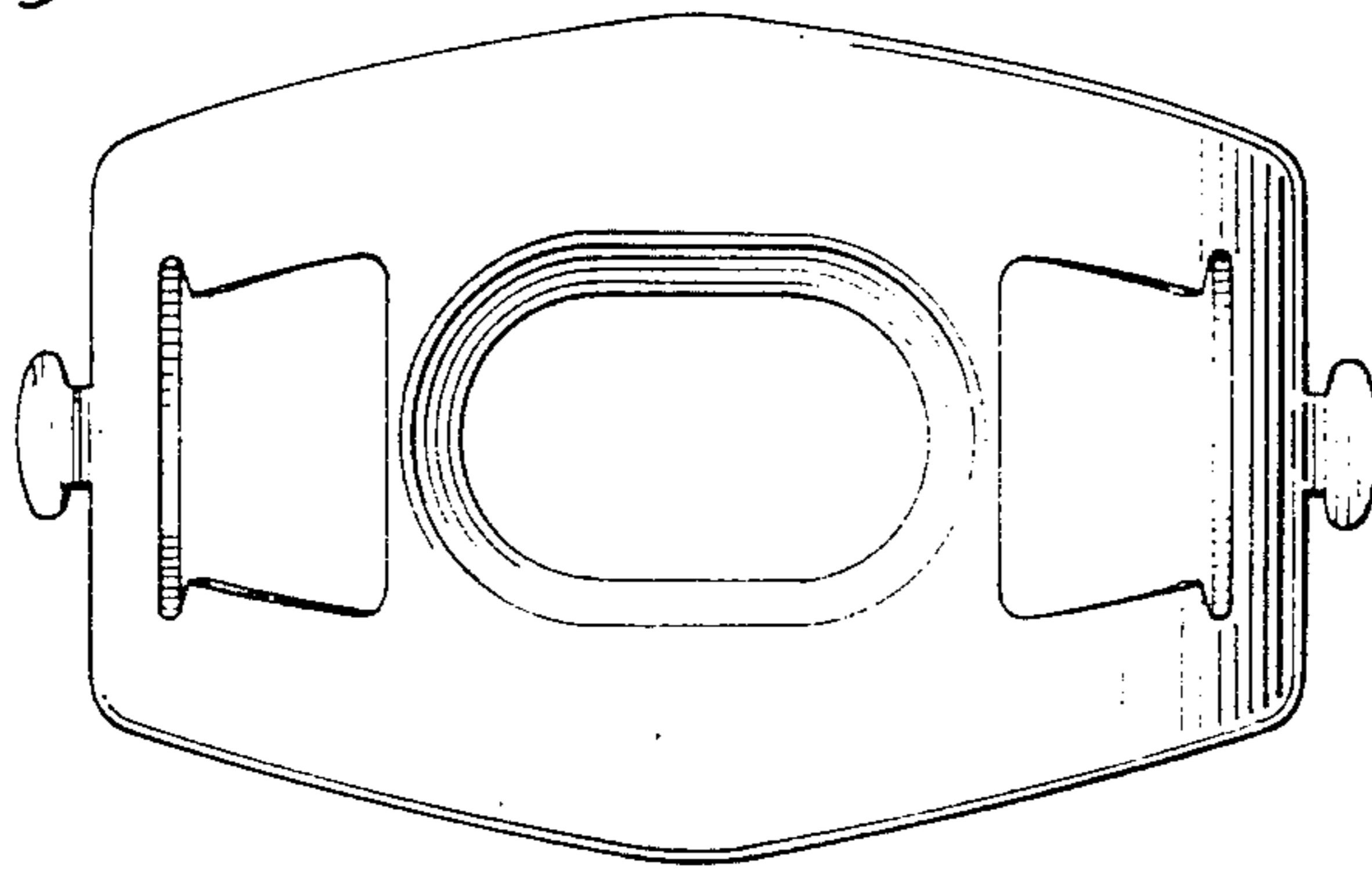


Fig. 3.

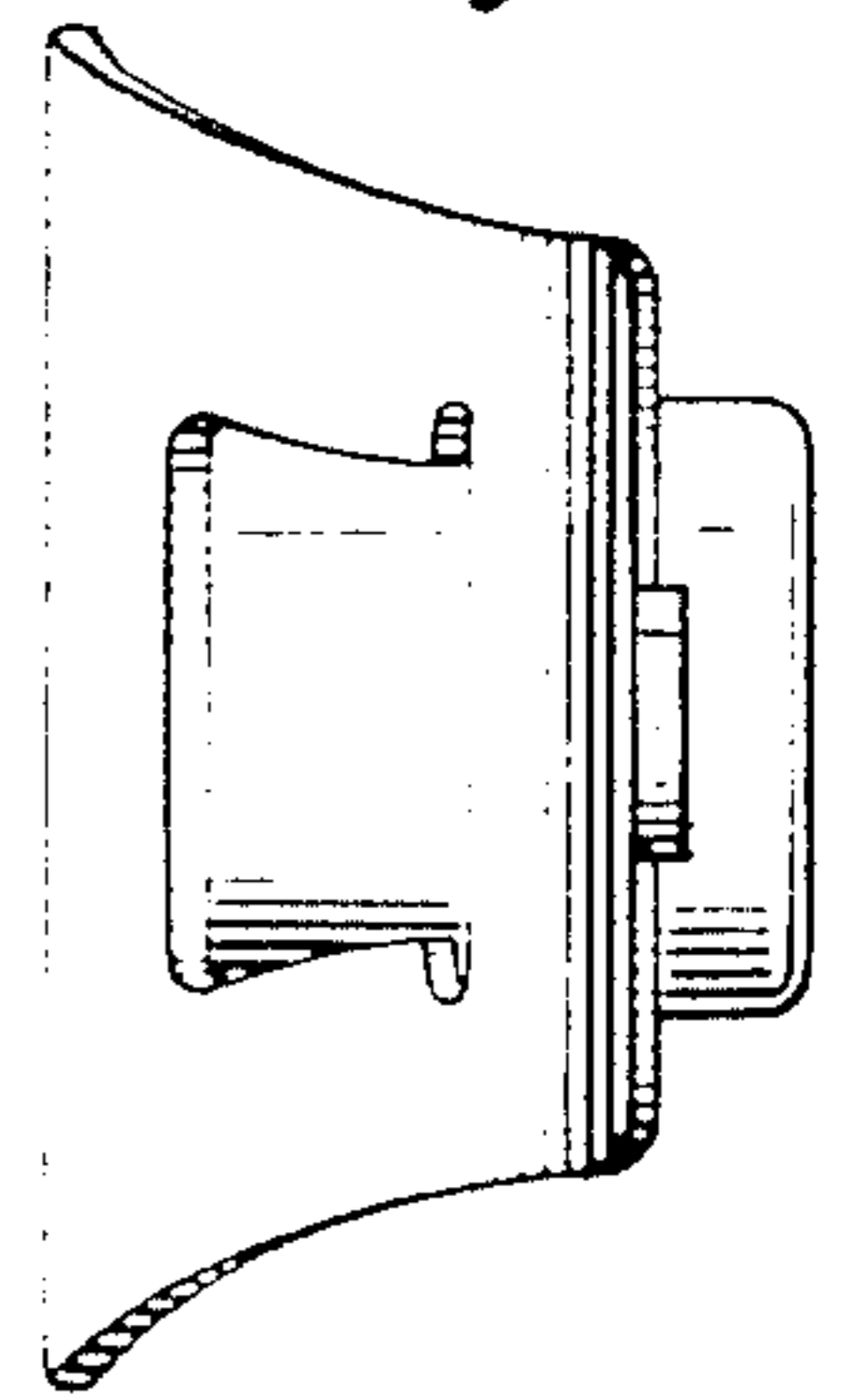


Fig. 4.

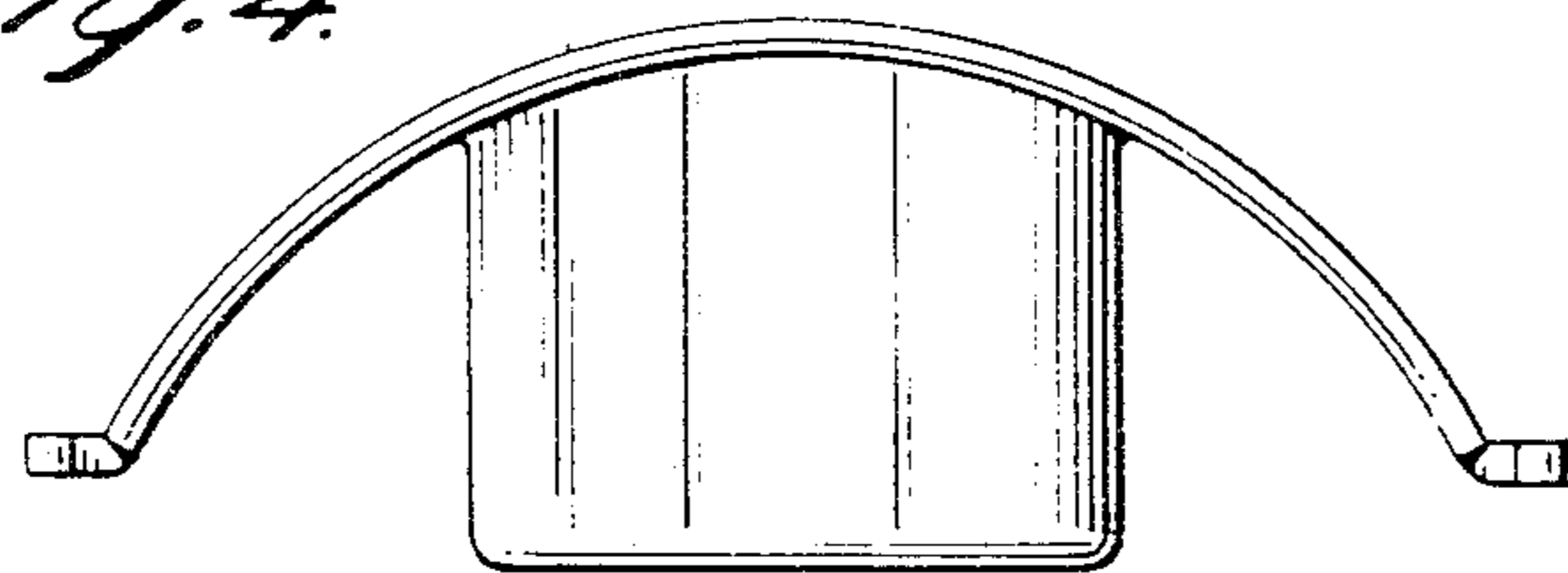


Fig. 5.

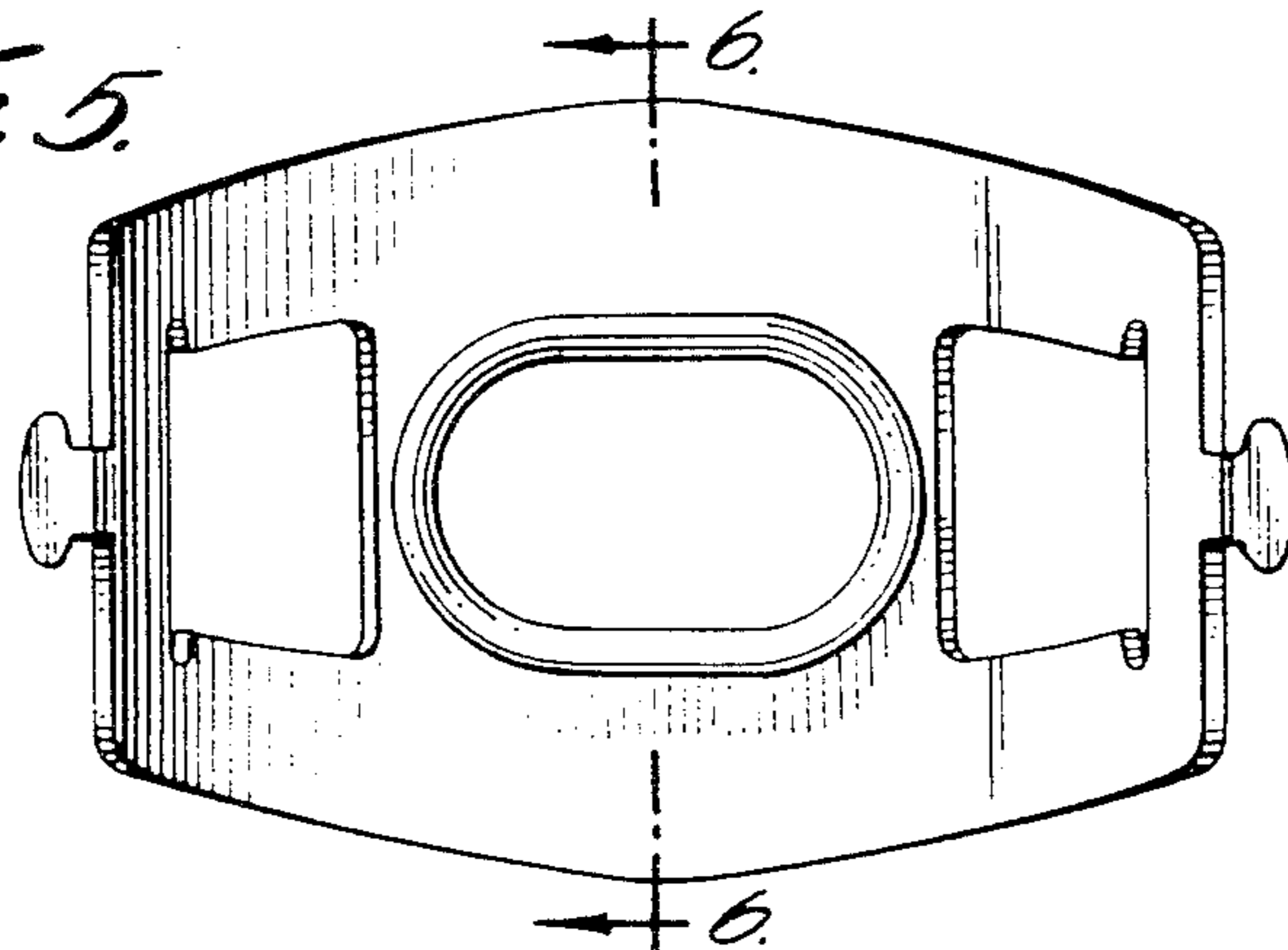


Fig. 6.

