

[54] DEVICE FOR POSITIONING DENTAL X-RAY FILM

1,947,014	2/1934	Levy	378/170
2,034,049	3/1936	Levy	378/170 X
2,090,933	8/1937	Bolin	378/170
3,473,026	10/1969	Updegrave	378/170
4,150,296	4/1979	Edeland et al.	378/170

[75] Inventors: Robert Maldonado, Santa Clara; Clark E. Loughry, San Jose, both of Calif.

Primary Examiner—Catherine E. Kemper
Attorney, Agent, or Firm—Seidel, Gonda, Goldhammer & Abbott

[73] Assignee: The S. S. White Company, Holmdel, N.J.

[**] Term: 14 Years

[57] CLAIM

[21] Appl. No.: 475,823

The ornamental design for a device for positioning dental x-ray film, as shown and described.

[22] Filed: Mar. 16, 1983

DESCRIPTION

[52] U.S. Cl. D24/2; D24/4; D24/5

FIG. 1 is a perspective view of the device for positioning dental x-ray film showing our new design.

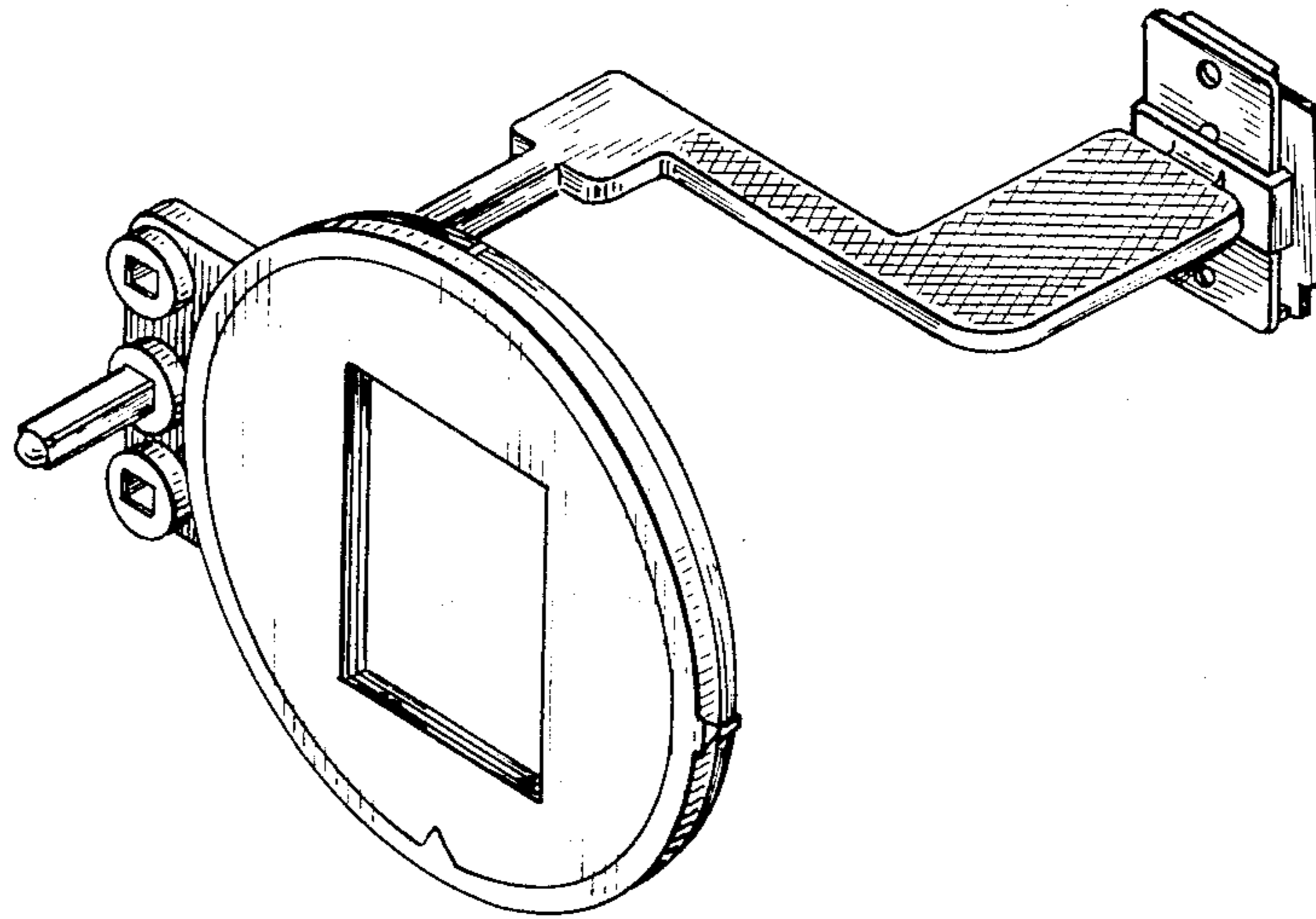
[58] Field of Search 378/147-153, 378/170, 205; D24/4, 5, 8, 10, 12

FIG. 2 is a plan view thereof;
FIG. 3 is a right side elevational view thereof;
FIG. 4 is a bottom view thereof;
FIG. 5 is a left side elevational view thereof;
FIG. 6 is a front view thereof; and
FIG. 7 is a rear view thereof.

[56] References Cited

U.S. PATENT DOCUMENTS

D. 246,665 12/1977 Updegrave D24/2



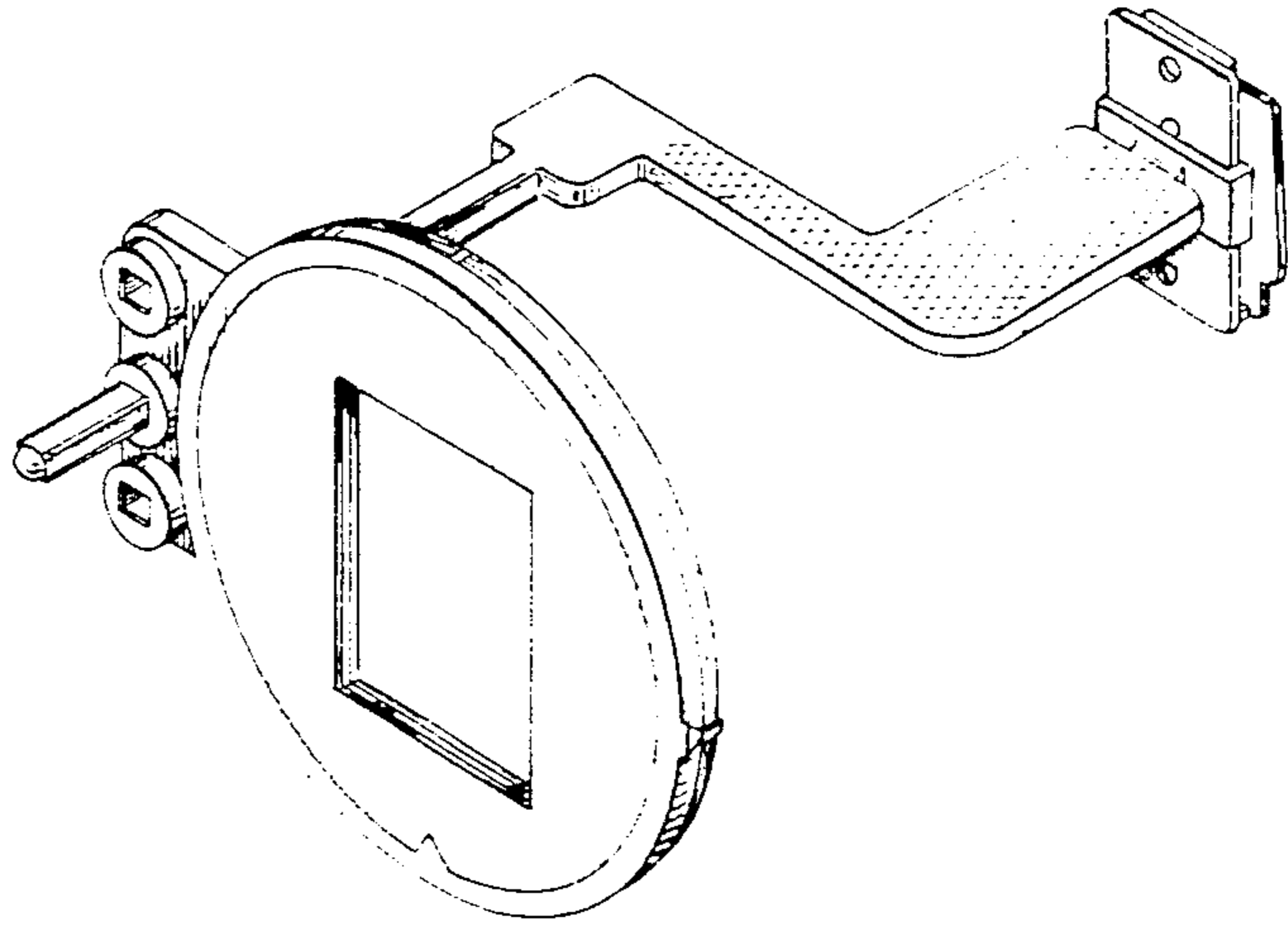


Fig. 1

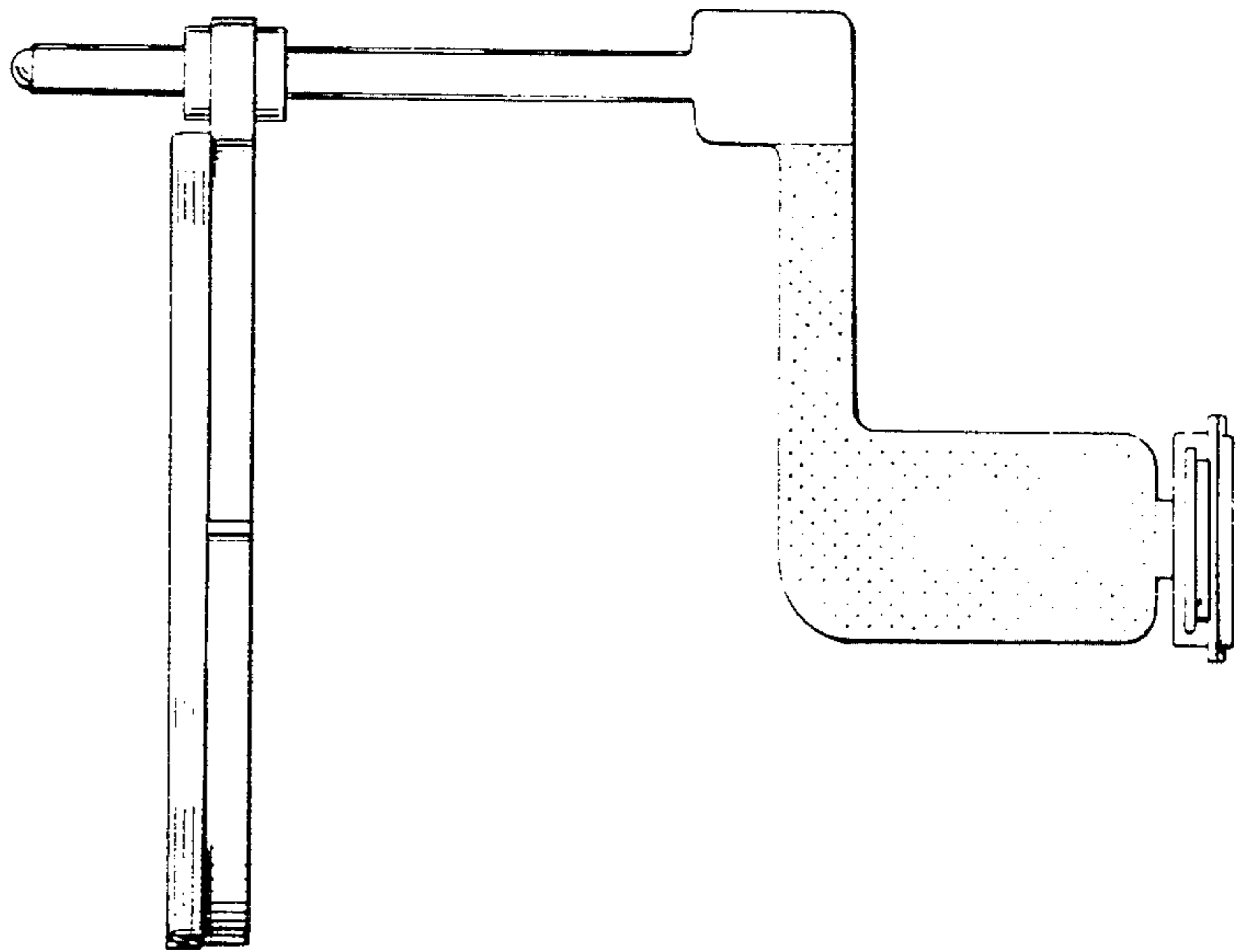


Fig. 2

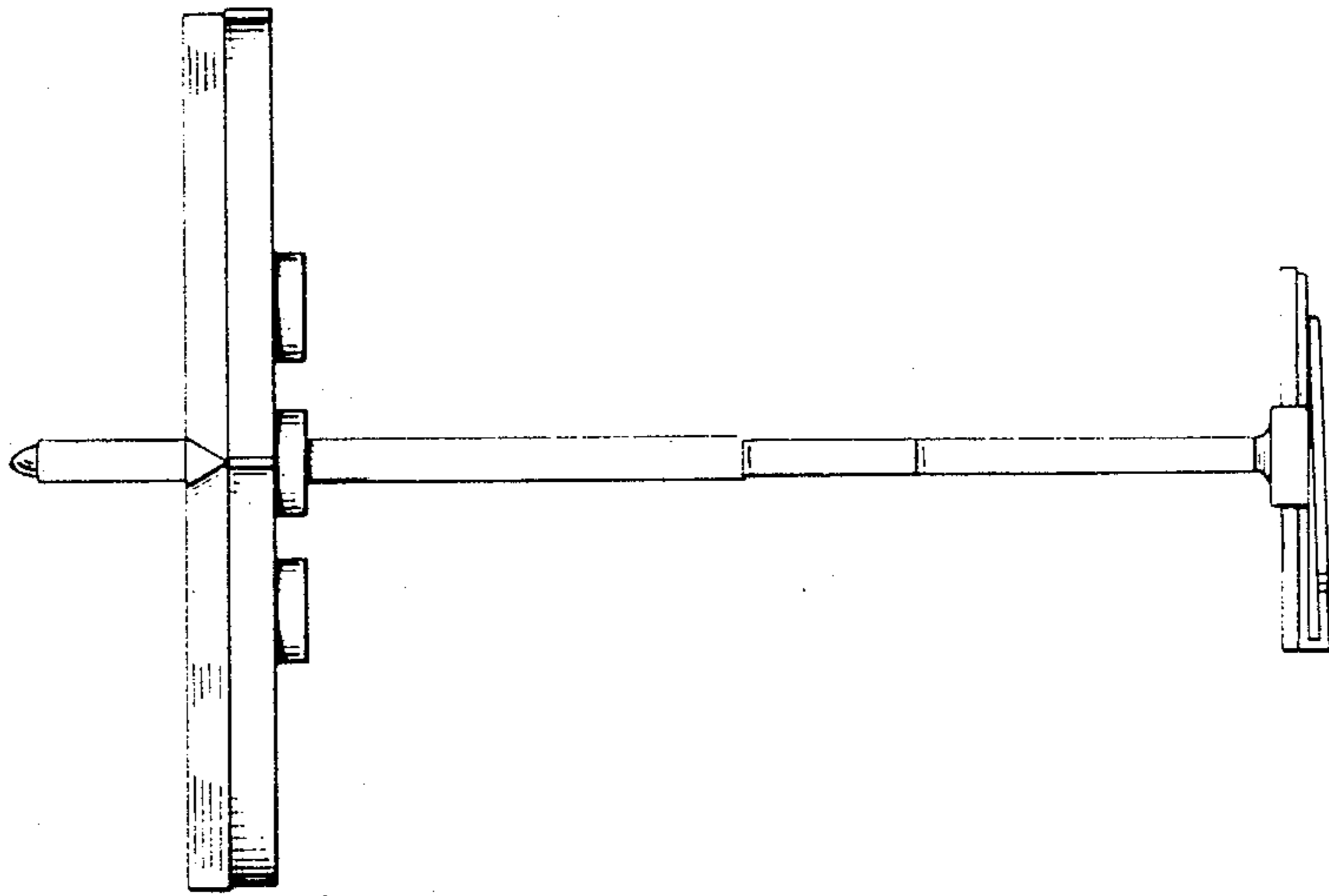


Fig. 3

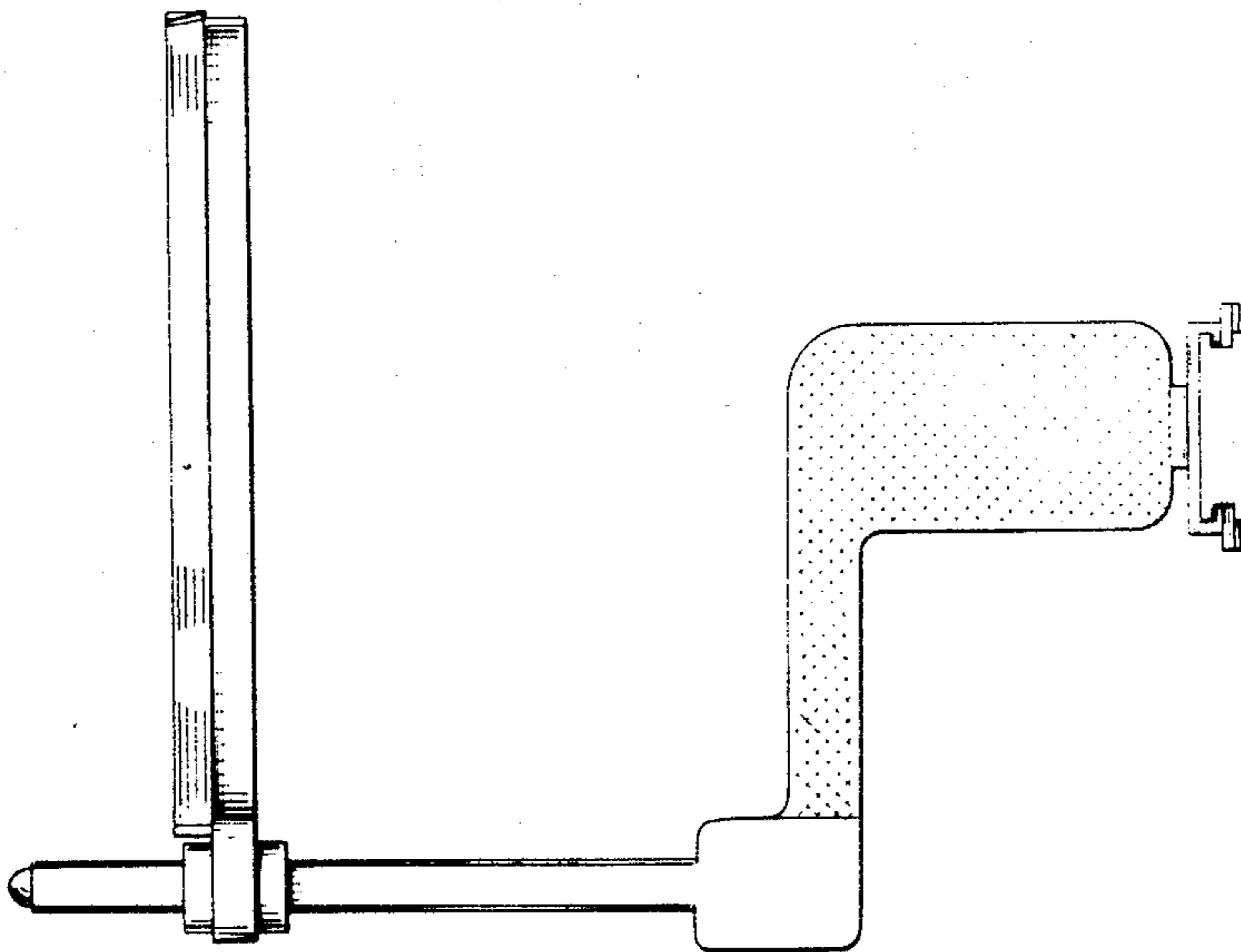


Fig. 4

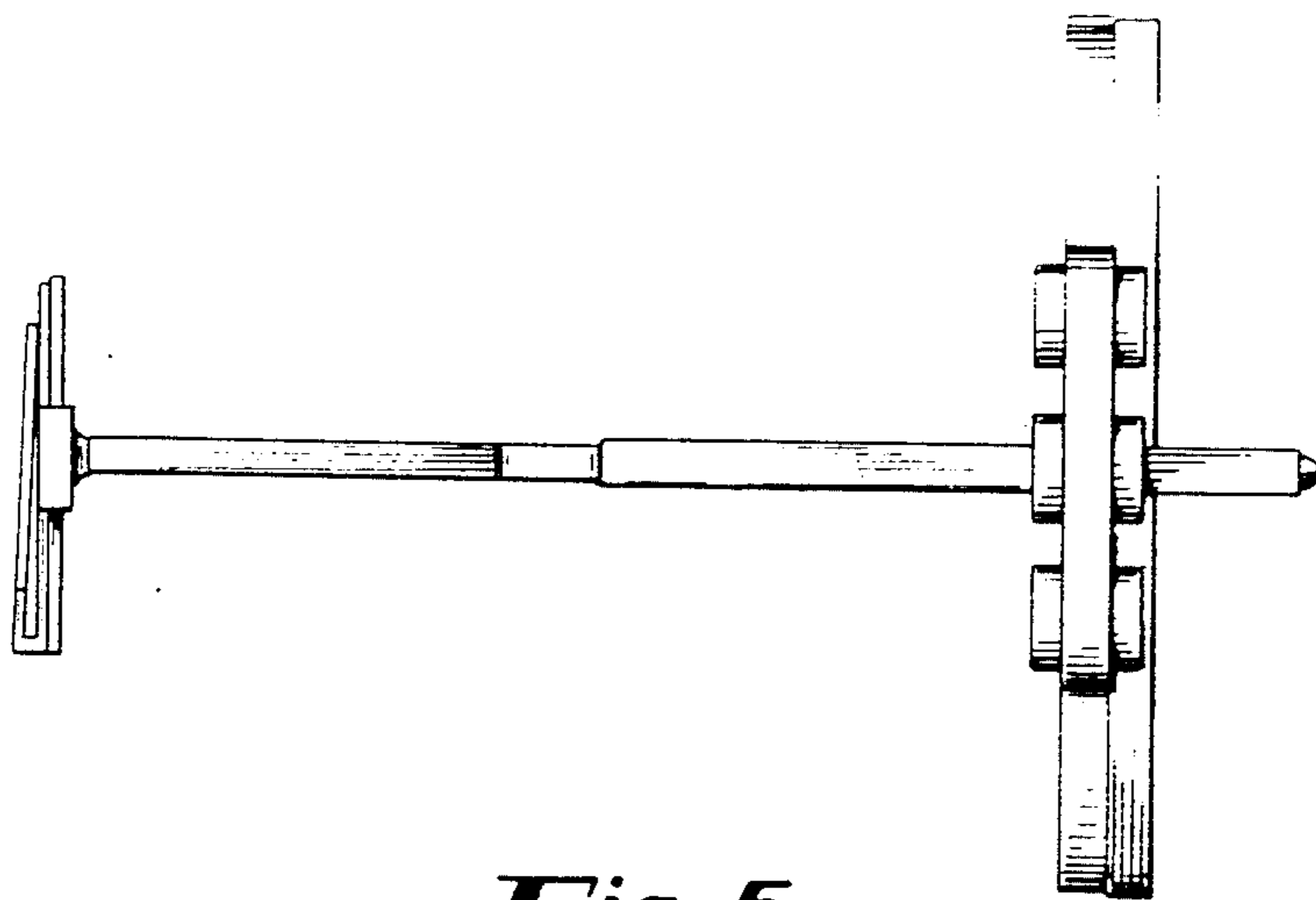


Fig. 5

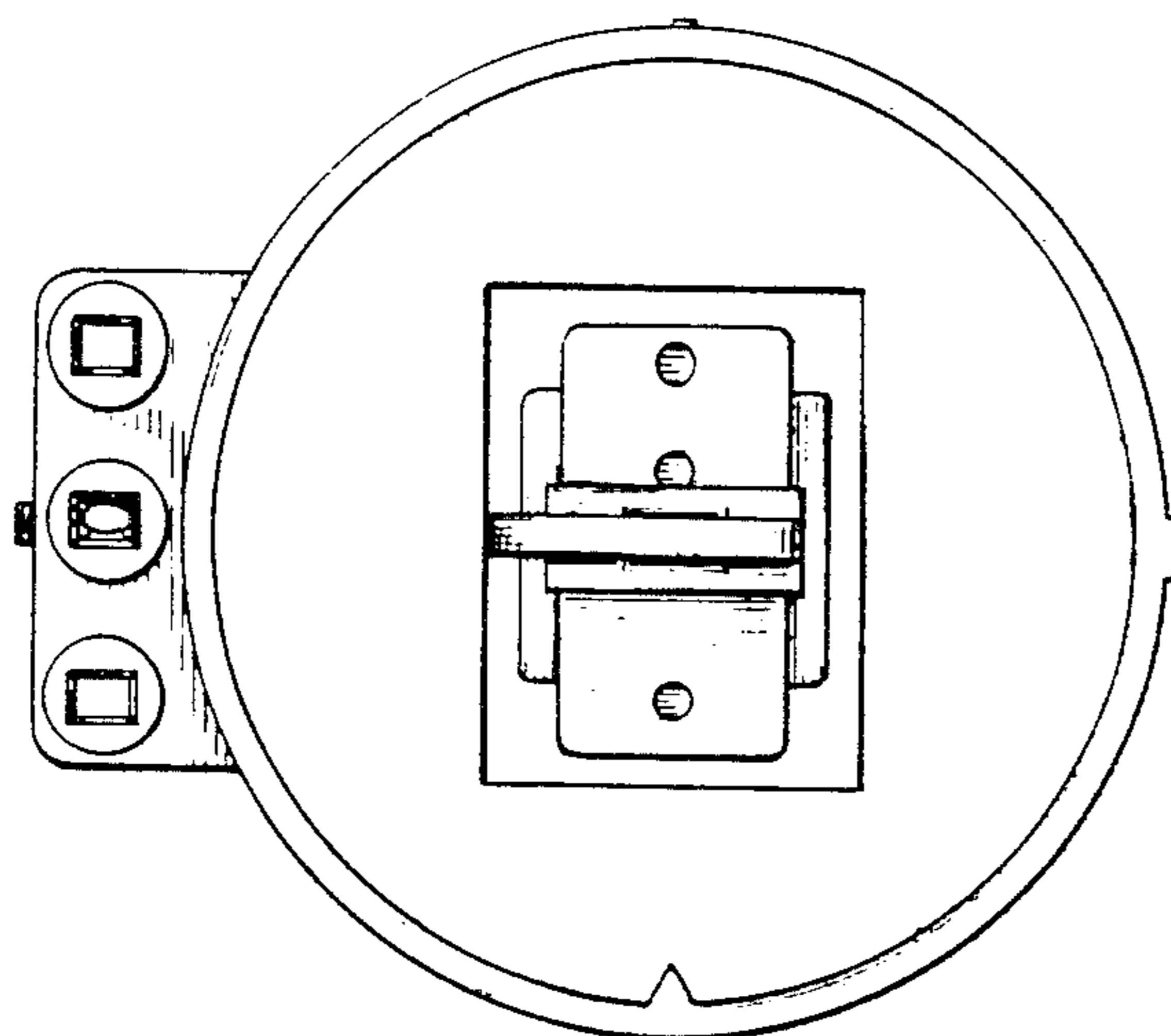


Fig. 6

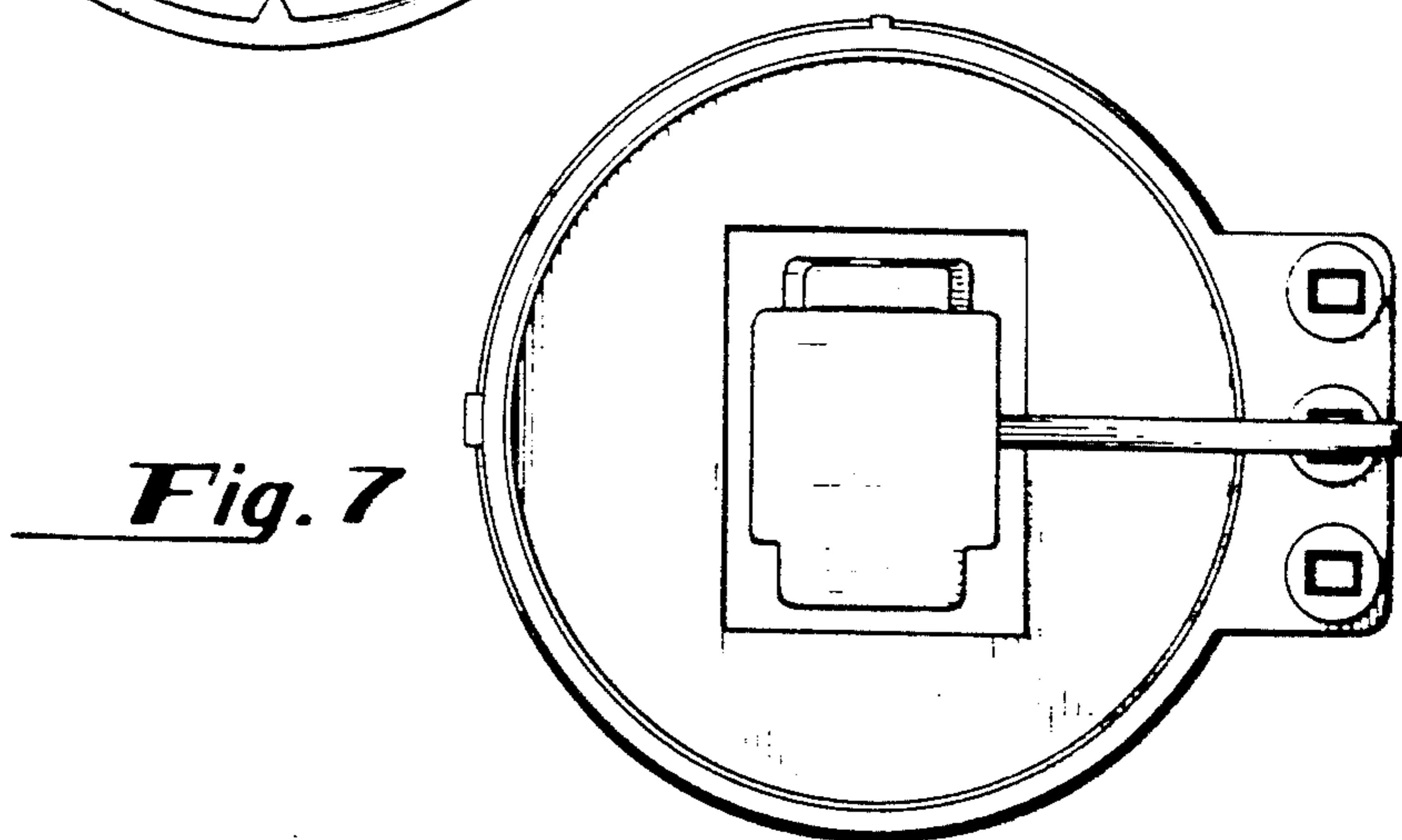


Fig. 7