

[54] ELECTRIC FAN

[76] Inventors: **Piergiorgio Mandelli**, Via Salvagnoli, 5, 20125 Milan; **Franco Mandelli**, Viale Jenner, 20, 20100 Milan, both of Italy

[**] Term: 14 Years

[21] Appl. No.: 673,322

[22] Filed: Nov. 20, 1984

[52] U.S. Cl. D23/158; D26/26; D12/214

[58] Field of Search D23/139-165; 98/38.3-38.7, 40.1-40.9; 310/71-72; D26/2, 26, 24-27, 61-66; 339/176-177, 182; 416/5, 176, 170 R, 206, 232 R

[56] References Cited

U.S. PATENT DOCUMENTS

48,569	2/1916	Noble	24/170
557,384	3/1896	Hassler	417/423R
785,004	3/1905	Klemm et al.	417/423R
1,504,003	8/1924	Trumbull	416/5
1,222,837	4/1917	Winslow et al.	417/423R
2,186,674	1/1940	Hildebrand et al.	4417/423R
2,538,196	1/1951	Hildebrand et al.	417/423R
4,517,481	5/1985	Breining	310/71
D. 87,188	6/1932	Aron	D23/158
D. 102,403	12/1936	Vaughn	D23/158
D. 102,701	1/1937	Preston	D23/158
D. 121,201	9/1939	Fischer	D12/214

D. 270,563	9/1983	Phillips	D23/158
D. 270,942	10/1983	McCain	D23/158
D. 271,998	12/1983	Nauba et al.	D26/26

OTHER PUBLICATIONS

Nutone Lighting Catalogue (1982), pp. 81-19, "Flares", Spotlights, & Floodlights, 1975-Box. Design News (10/30/63), p. 39.

FOREIGN PATENT DOCUMENTS

1,032,184 6/1966 United Kingdom.

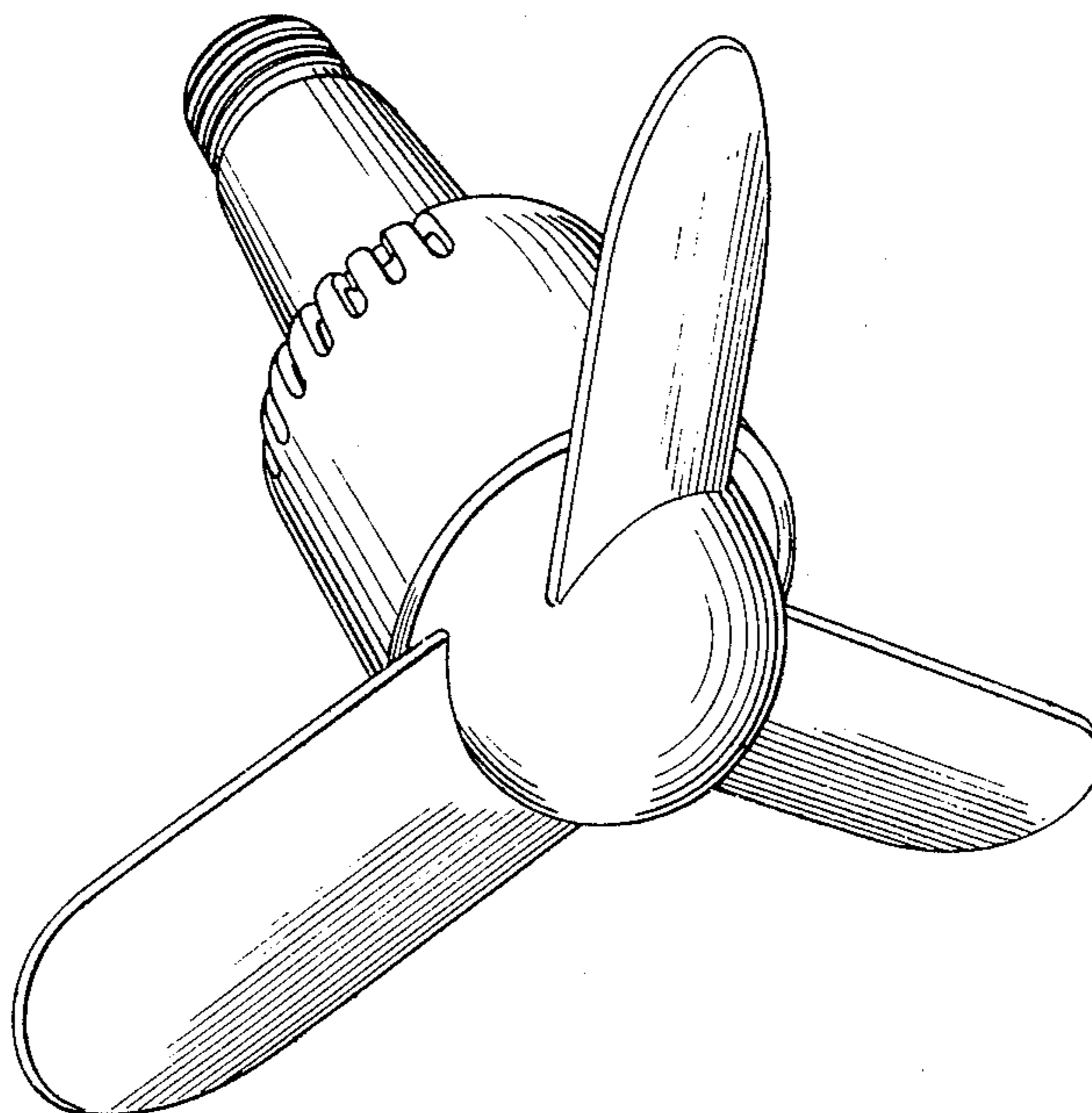
Primary Examiner—Wallace R. Burke
Assistant Examiner—Brian N. Vinson
Attorney, Agent, or Firm—Fleit, Jacobson, Cohn & Price

[57] CLAIM

The ornamental design for an electric fan, substantially as shown.

DESCRIPTION

FIG. 1 is a perspective view of an electric fan showing my new design;
FIG. 2 is a front elevation thereof;
FIG. 3 is a rear elevation thereof;
FIG. 4 is a top plan view thereof;
FIG. 5 is a bottom plan view thereof;
FIG. 6 is a right side elevation thereof; and
FIG. 7 is a left side elevation thereof.



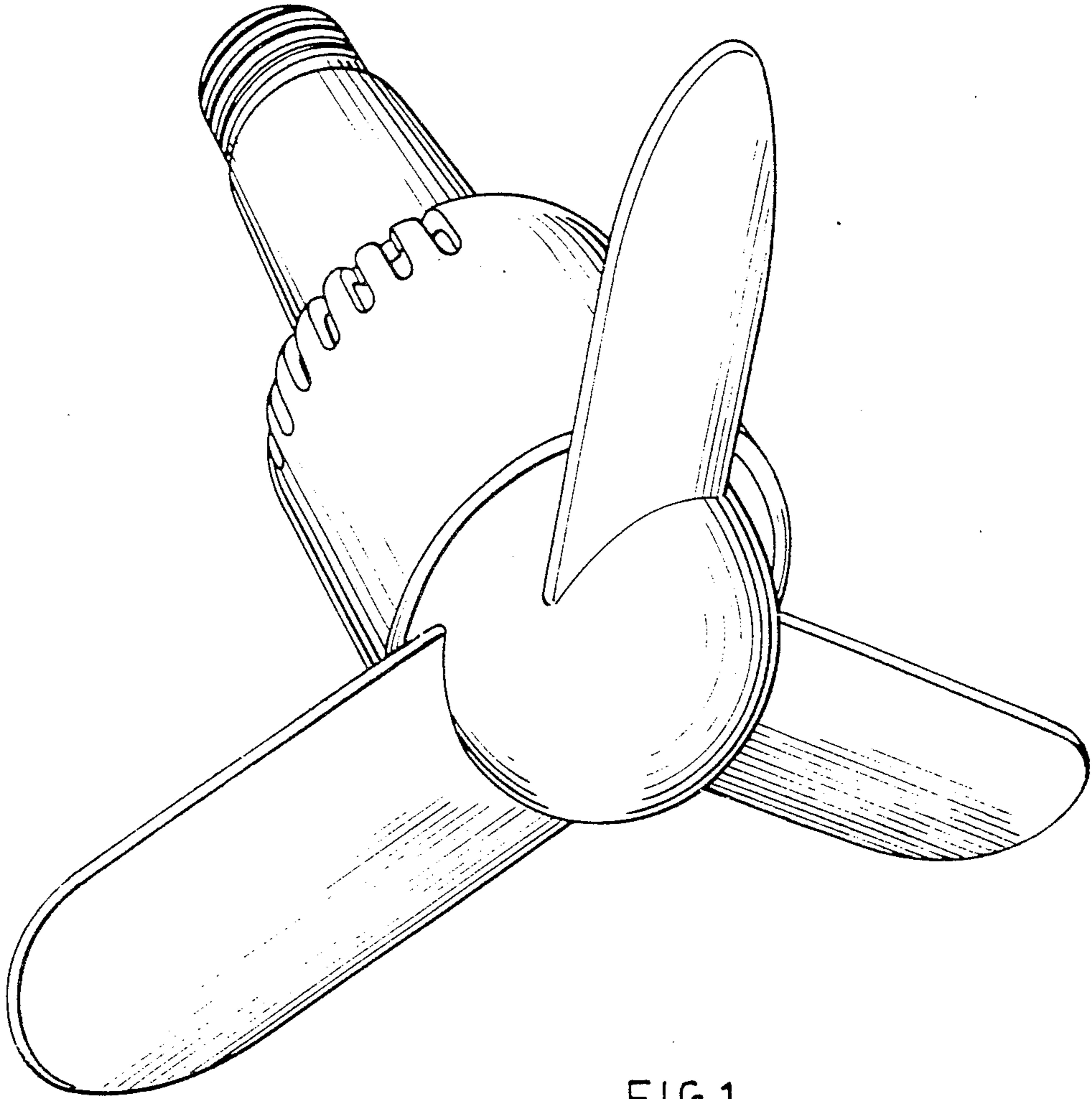


FIG.1

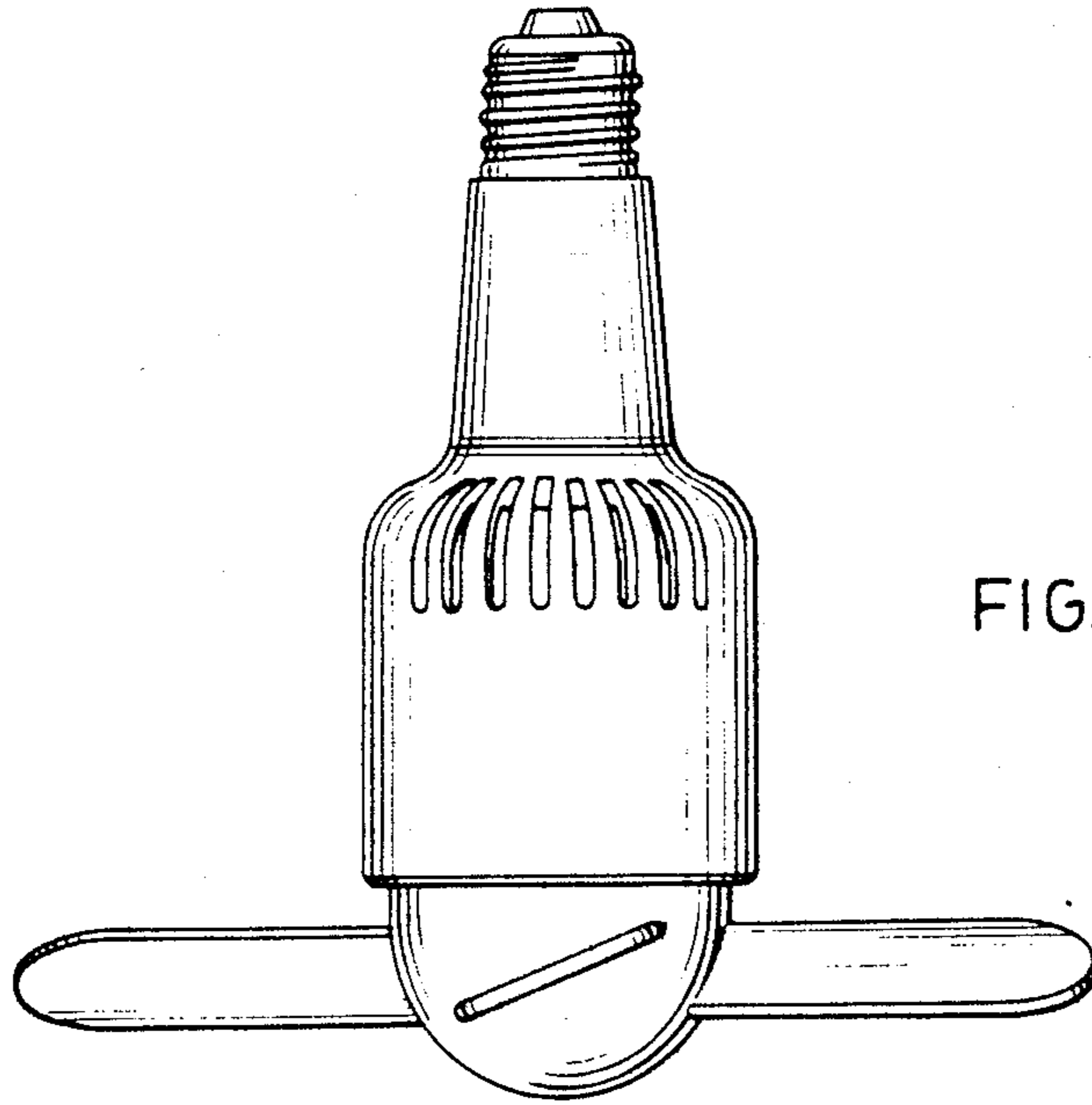


FIG. 2

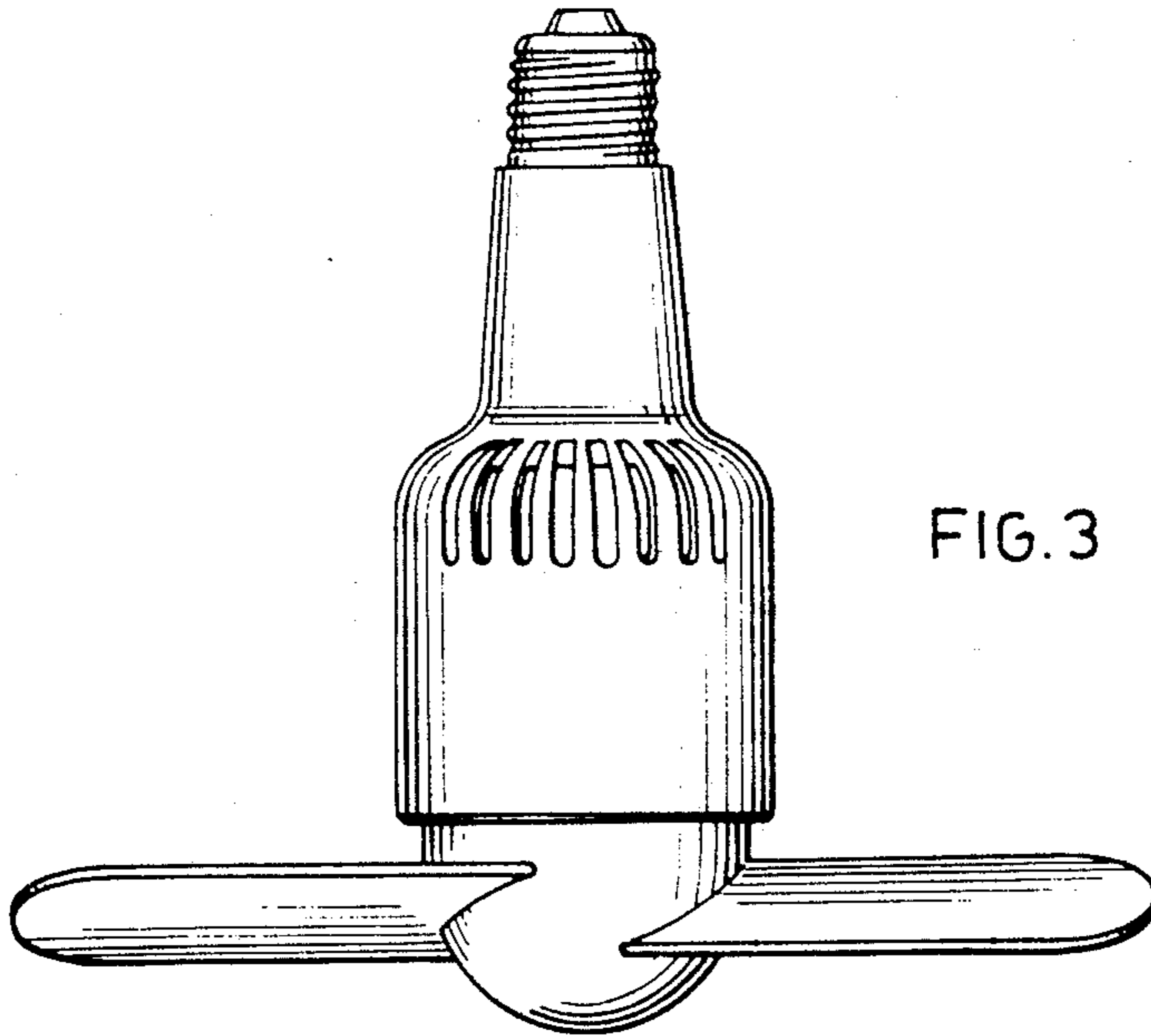


FIG. 3

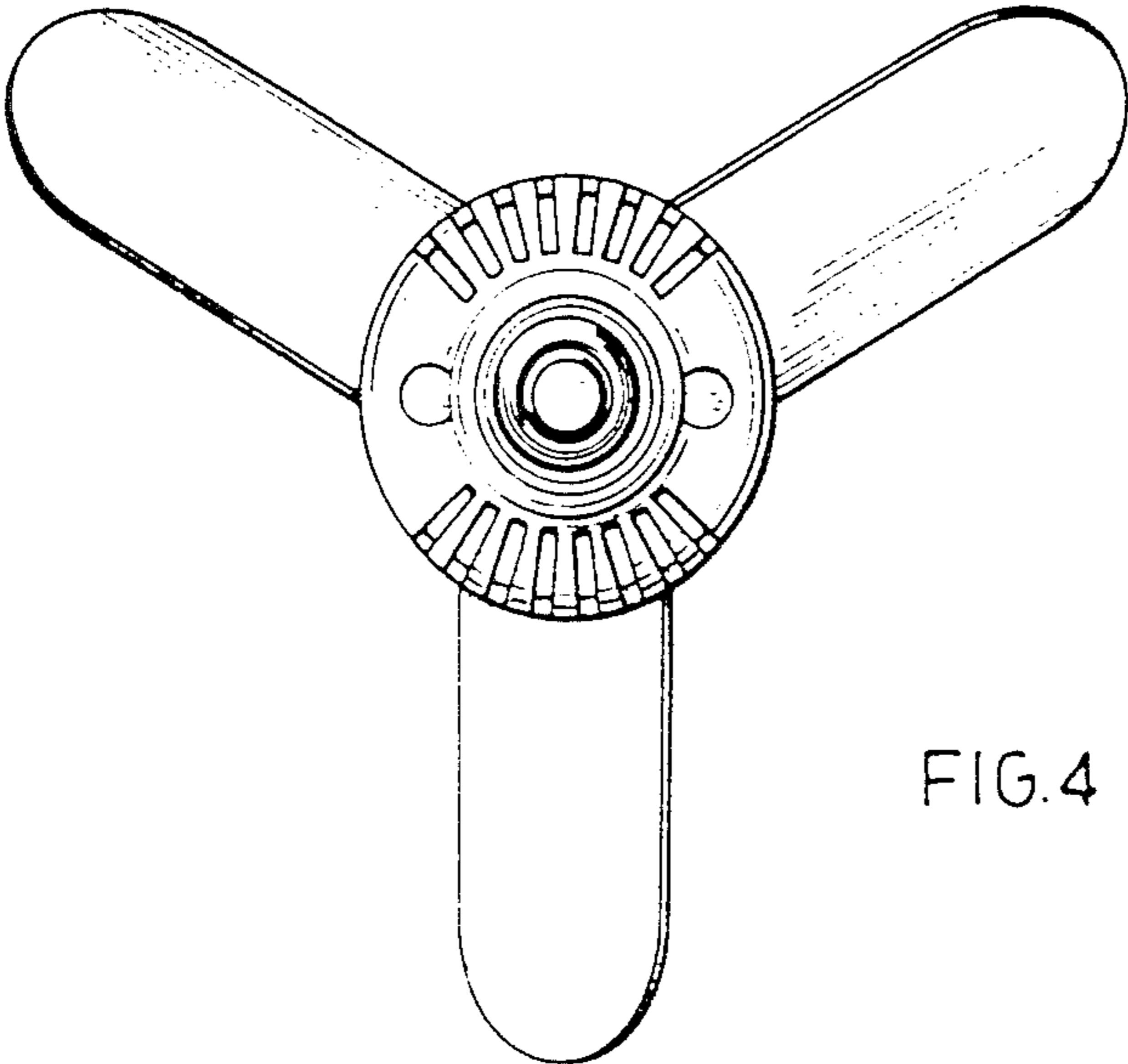


FIG. 4

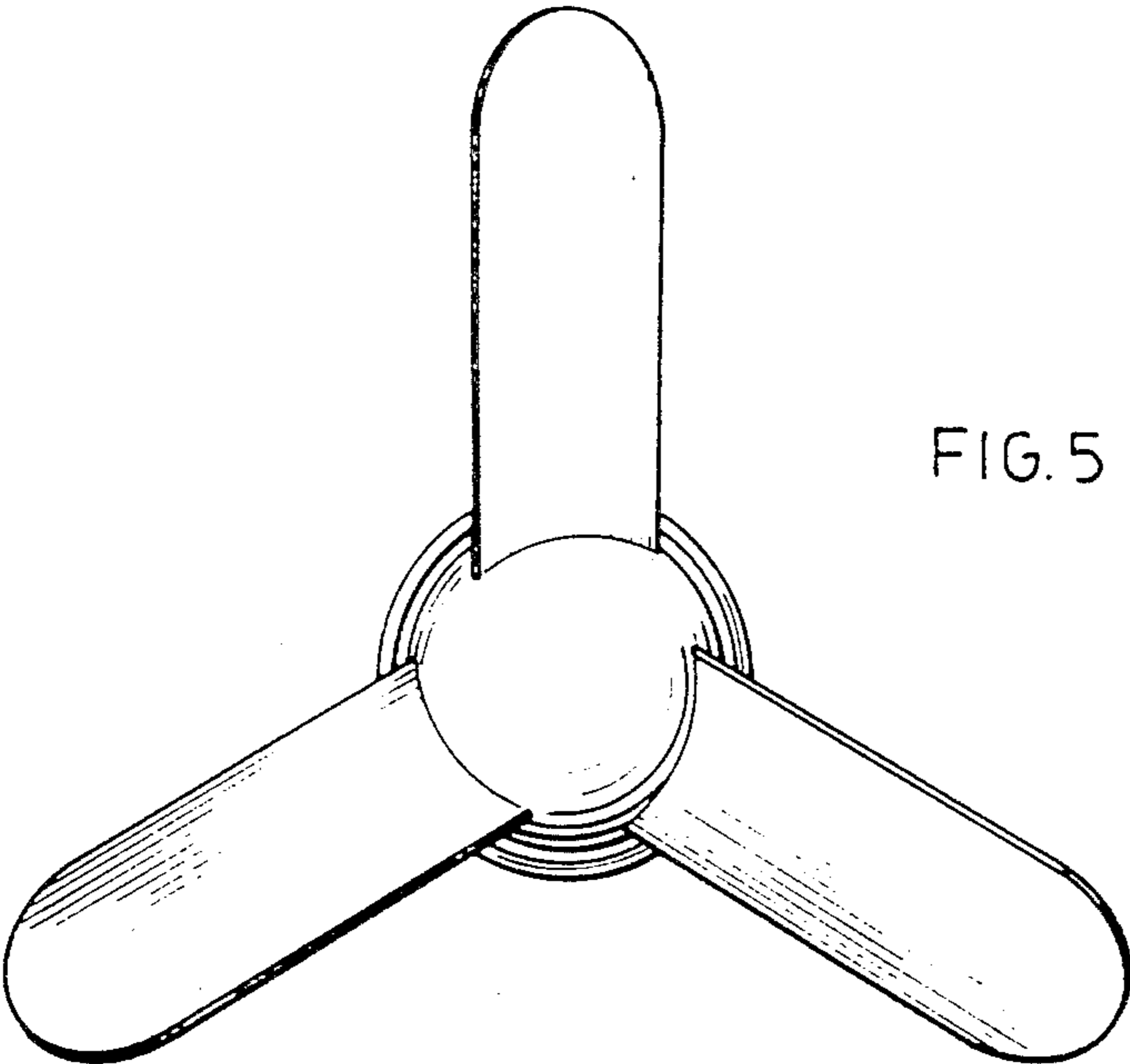


FIG. 5

